

# RIVERSIDE



# CALIFORNIA

## PUBLIC WORKS DEPARTMENT

# SPRUCE STREET SEWER RELOCATION

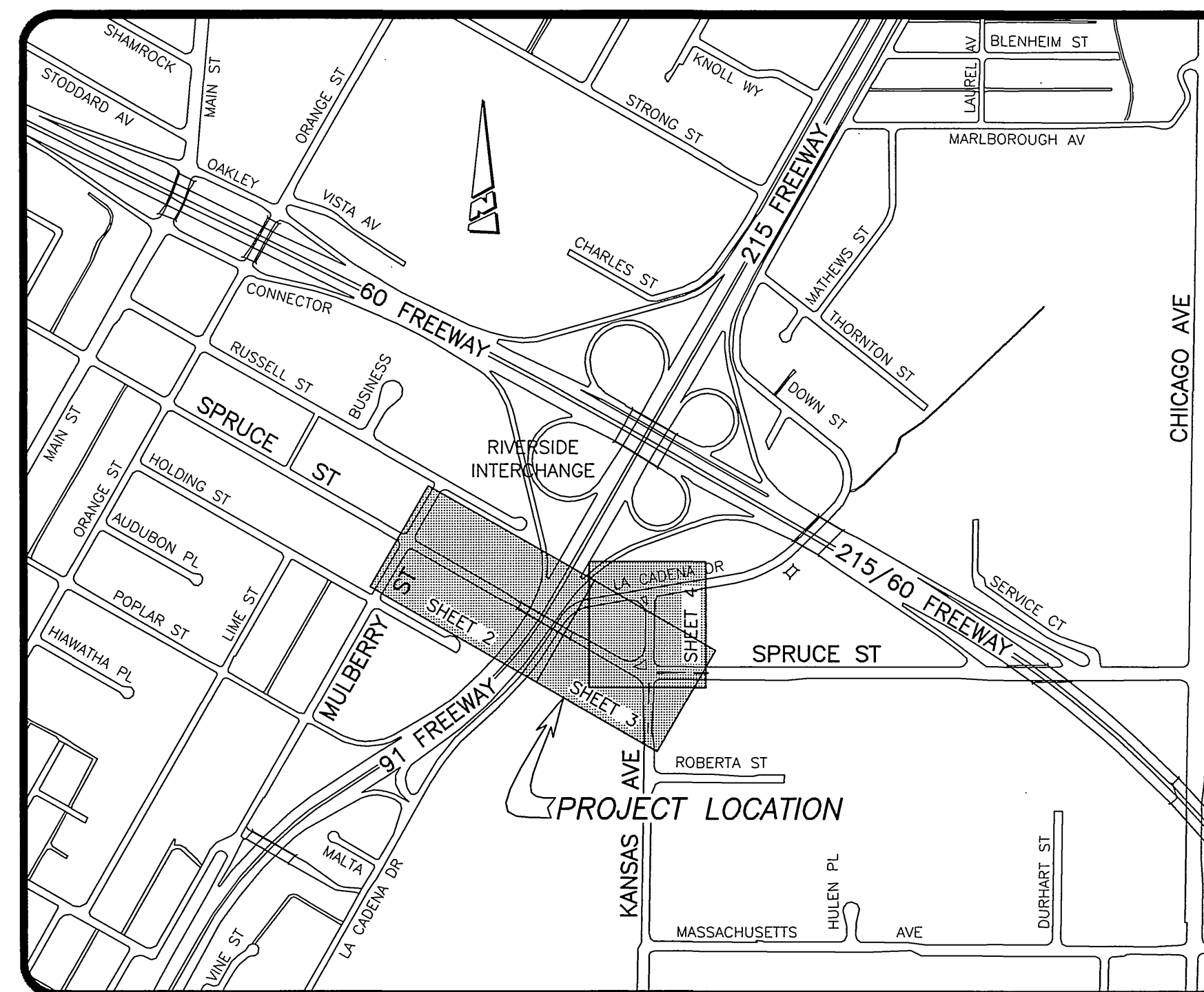
## MULBERRY STREET TO KANSAS AVENUE

### GENERAL NOTES

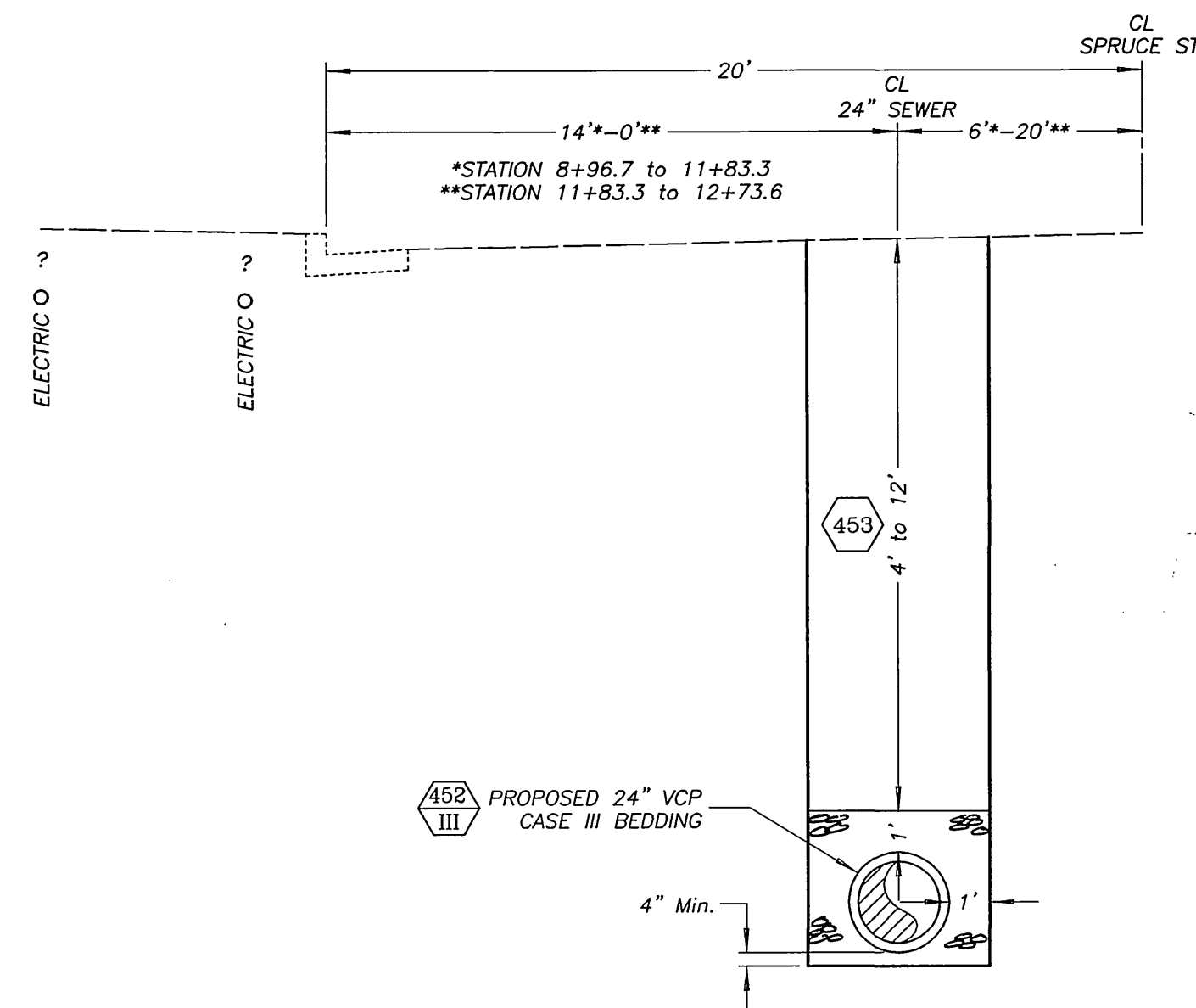
- CONSTRUCTION SHALL BE IN ACCORDANCE WITH THE CITY OF RIVERSIDE STANDARD DRAWINGS AND STANDARD SPECIFICATIONS FOR PUBLIC WORKS CONSTRUCTION, 2000 EDITION.
- EXISTING UTILITIES SHOWN ON THE PLAN, ARE PLOTTED FROM UTILITY RECORDS. THE CONTRACTOR IS REQUIRED TO TAKE DUE PRECAUTIONARY MEASURES TO LOCATE AND PROTECT ALL UTILITIES WHETHER OR NOT SHOWN ON THIS PLAN.
- CONTRACTOR SHALL POTHOLE AND VERIFY ALL LOCATIONS AND ELEVATIONS OF UTILITIES PRIOR TO START OF CONSTRUCTION TO ELIMINATE INTERFERENCE WITH NEW CONSTRUCTION.
- PRIME CONTRACTORS BIDDING THIS WORK SHALL HAVE A CLASS "A, C-34 OR C-42" LICENSE.
- ALL ELEVATIONS SHOWN ON THE PLAN SHALL BE STAKED IN THE FIELD.
- BACKFILLING OF TRENCH AND PAVEMENT REPLACEMENT SHALL BE DONE PER CITY OF RIVERSIDE STANDARD DRAWING 453.

### CONSTRUCTION NOTES

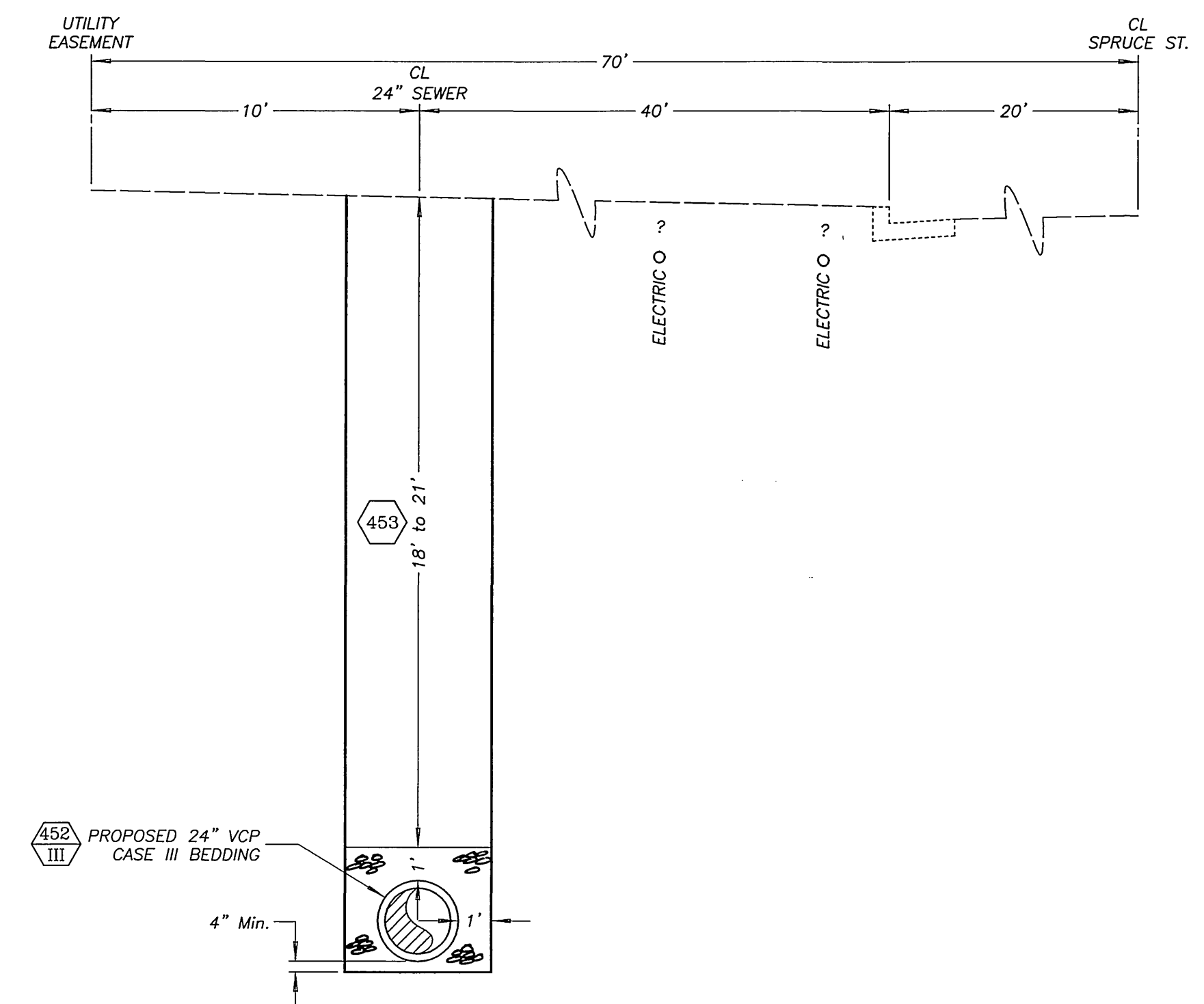
- NUMBERS ABOVE 100 IN A HEXAGON ON THE PLAN REFER TO THE RESPECTIVE STANDARD DRAWING AND SHALL BE CONSTRUCTED ACCORDINGLY, UNLESS MODIFICATION ARE NOTED ON THE PLAN. ANY NUMBER SHOWN BELOW THE STANDARD DRAWING NUMBER INDICATES THE SPECIFIC ALTERNATE TO BE CONSTRUCTED.
- CITY OF RIVERSIDE STANDARD DRAWING NUMBER
- INSIDE DIAMETER OF MANHOLE
- EXISTING SEWER TO REMAIN IN SERVICE.
- ABANDON EXISTING SEWER IN PLACE.
- RECHANNEL MANHOLE BOTTOM



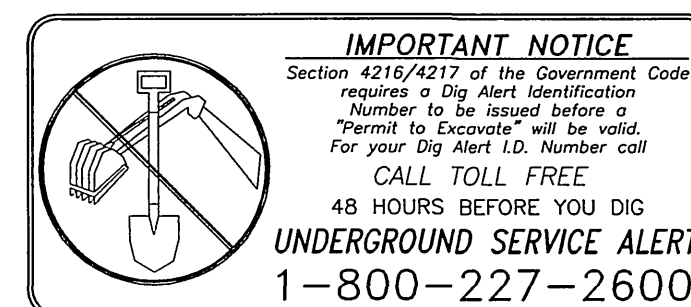
PROJECT LOCATION MAP  
NO SCALE



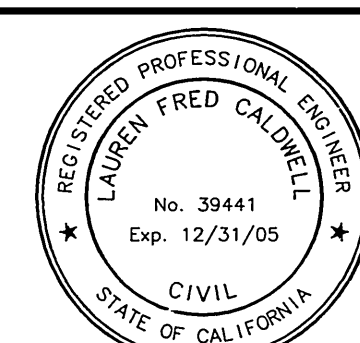
STA. 8+96.8 to 12+73.6  
TYPICAL TRENCH SECTION  
SCALE: 1"=4'



STA. 18+70 to 21+21  
TYPICAL TRENCH SECTION  
SCALE: 1"=4'



ENGINEER IN RESPONSIBLE CHARGE  
*Lauren Fred Caldwell*  
LAUREN FRED CALDWELL  
R.C.E. No. 39441 expires 12/31/05  
DATE: 12/24/03



MARK	REVISIONS	APPR.	DATE

DESIGNED BY DAN, DRAWN BY DAN, CHECKED BY \_\_\_\_\_

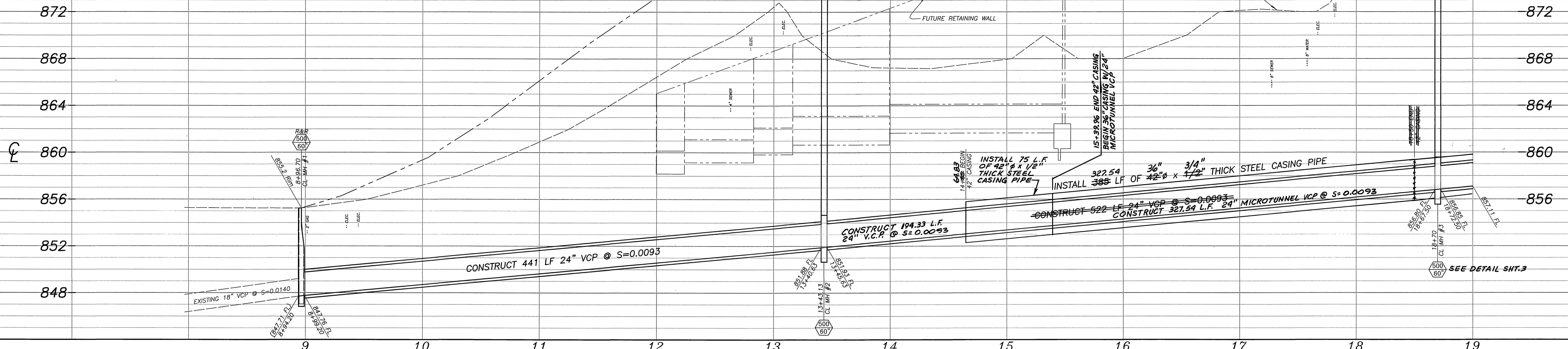
CITY OF RIVERSIDE, CALIFORNIA PUBLIC WORKS DEPARTMENT			
APPROVED BY	BY	DATE	APPROVED BY
DEPUTY P.W. DIRECTOR			
PRINCIPAL ENGINEER			
CONST. CONTRACT ADMIN.			
STREET SERVICES			
SURVEYOR			
TRAFFIC DIVISION			
PARKS DEPARTMENT			

SPRUCE STREET SEWER RELOCATION		ACCT. NO. 9756823203 440301xx
Mulberry Street to Kansas Avenue	S-1768	SHEET 1 OF 4
HORIZONTAL SCALE: 1" = 40' VERTICAL SCALE: 1" = 4'		

INDEXED 1-03-03 LfH

SEWER RELOCATION IS NECESSARY DUE TO CALTRANS' PROJECT TO CONSTRUCT THE SPRUCE STREET OVERCROSSING/INTERCHANGE.  
\* A5-BUILT 9-25-03 LfH

**BENCH MARK:**  
 A C.S.D.H. BRONZE DISK STAMPED "B.M. 66-B-61" IN THE TOP OF THE S.W. END OF THE S.E. CONCRETE HEADWALL OF A 20x8 FOOT BOX CULVERT UNDER A ROAD 47 YARDS S.W. OF THE S.W. EDGE OF U.S. HWY. 60 OVERCROSSING OF THE A.T. & S.F. R.R., 45 FEET N.W. OF THE N.W. RAIL, 22 FEET S.E. OF CENTERLINE OF E. LA CADENA DRIVE AND LEVEL WITH THE GROUND.  
 ELEV. = 879.883

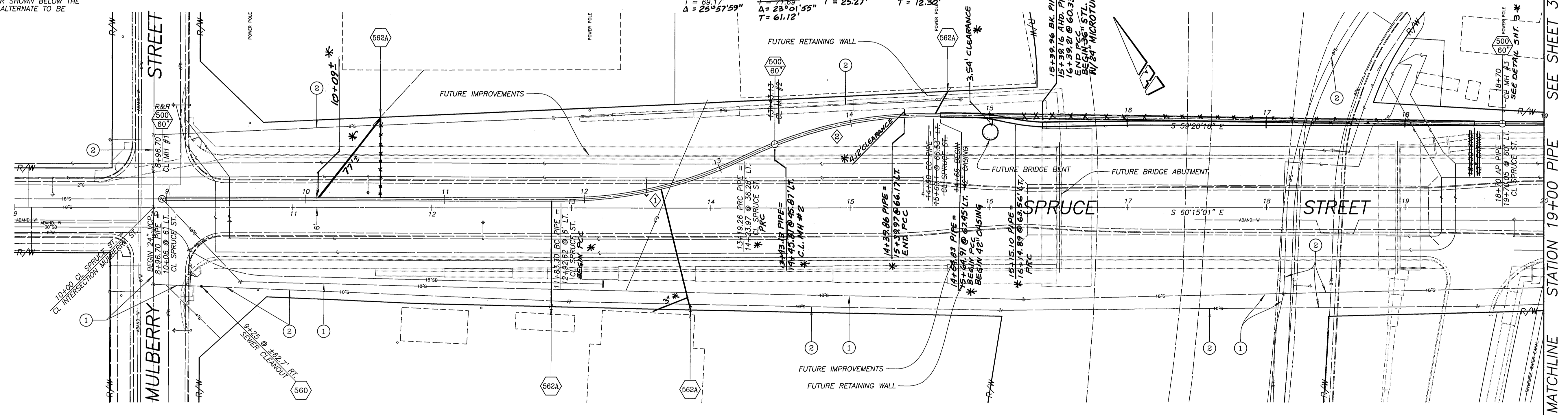


**CONSTRUCTION NOTES**

- NUMBERS ABOVE 100 IN A HEXAGON ON THE PLAN REFER TO THE RESPECTIVE STANDARD DRAWING AND SHALL BE CONSTRUCTED ACCORDINGLY, UNLESS MODIFICATION ARE NOTED ON THE PLAN. ANY NUMBER SHOWN BELOW THE STANDARD DRAWING NUMBER INDICATES THE SPECIFIC ALTERNATE TO BE CONSTRUCTED.
- 500 CITY OF RIVERSIDE STANDARD DRAWING NUMBER
- 60 INSIDE DIAMETER OF MANHOLE
- 1 EXISTING SEWER TO REMAIN IN SERVICE.
- 2 ABANDON EXISTING SEWER IN PLACE.

**CURVE DATA \***

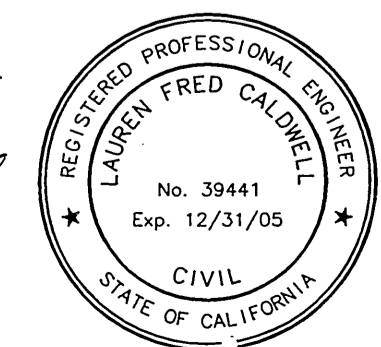
1	25°50'01"	26°52'42"	14°46'13"	8°16'42"
R = 300'	R = 300'	R = 195'	R = 170'	
L = 135.96'	L = 140.74'	L = 50.27'	L = 24.56'	
T = 68.12'	T = 71.83'	T = 25.27'	T = 12.30'	
Δ = 25°57'59"	Δ = 23°01'55"	Δ = 19°52'42"	Δ = 8°16'42"	



\* A5-BUILT 9-25-03 LfH

**IMPORTANT NOTICE**  
 Section 4116.4217 of the Government Code requires a Dig Alert Identification Number to be issued before a "Permit to Excavate" will be valid. For your Dig Alert ID, Number call CALL TOLL FREE 48 HOURS BEFORE YOU DIG UNDERGROUND SERVICE ALERT 1-800-227-2600

**ENGINEER IN RESPONSIBLE CHARGE**  
 LAUREN FRED CALDWELL  
 R.C.E. No. 39441 expires 12/31/05  
 DATE 12/26/2002

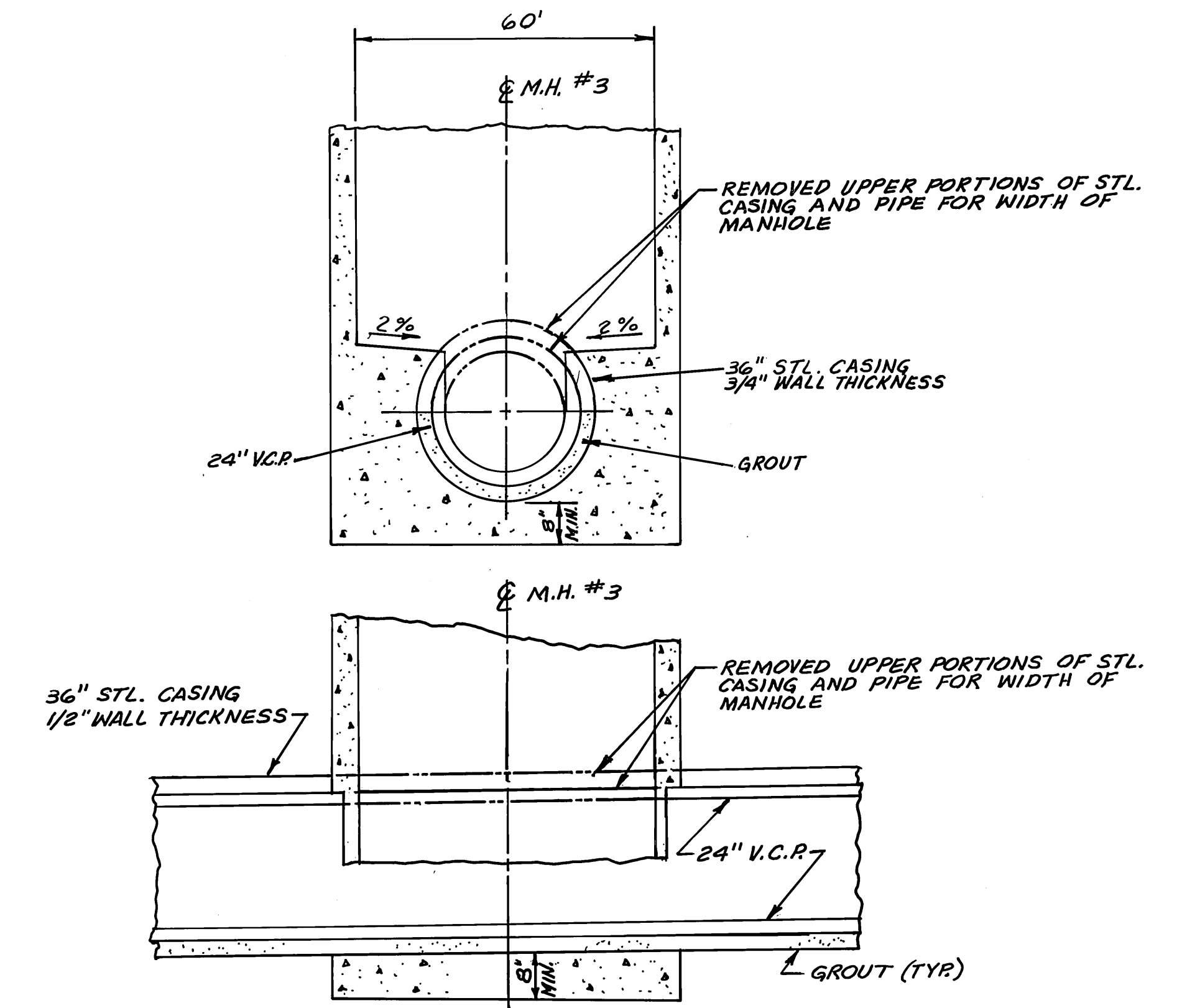
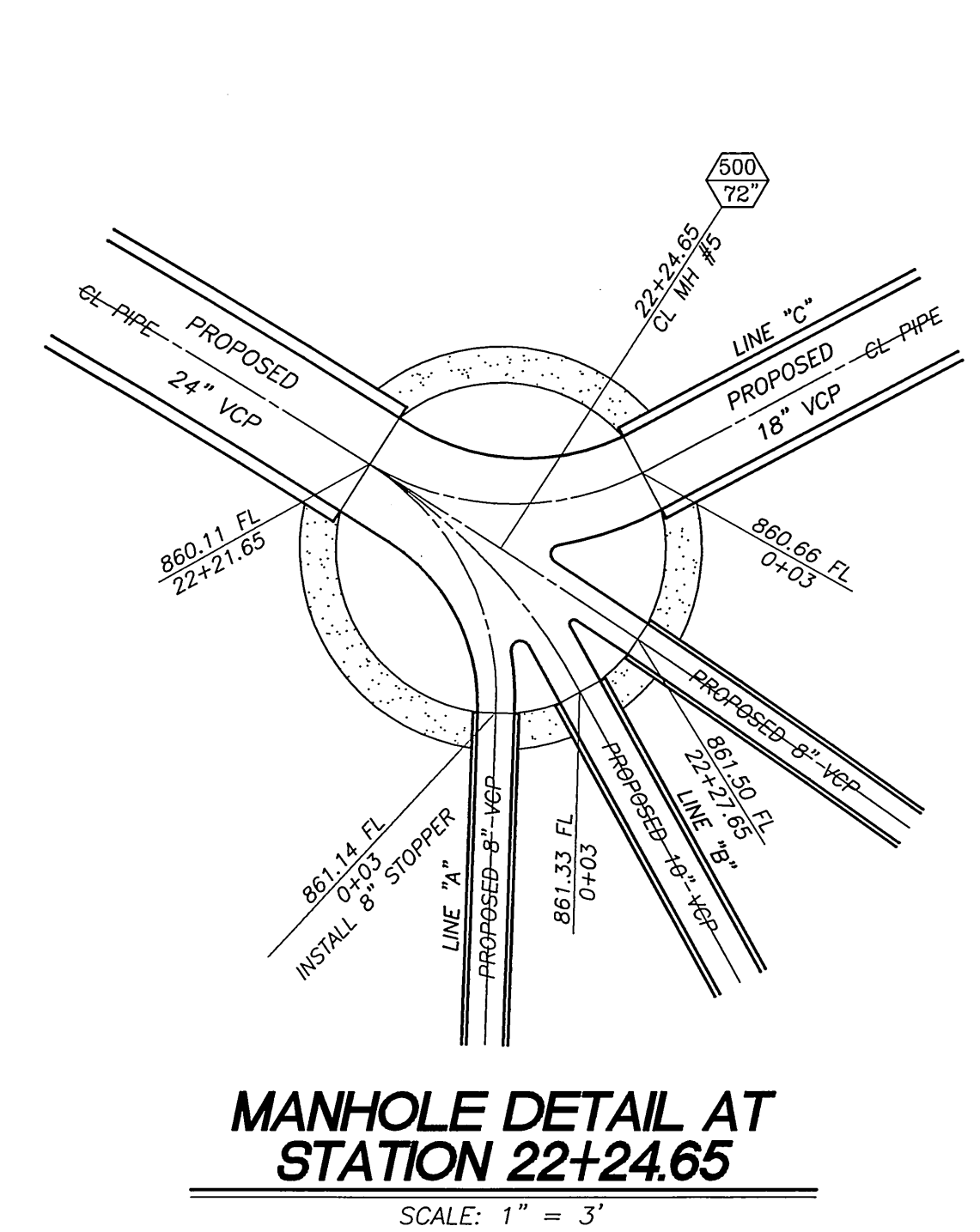
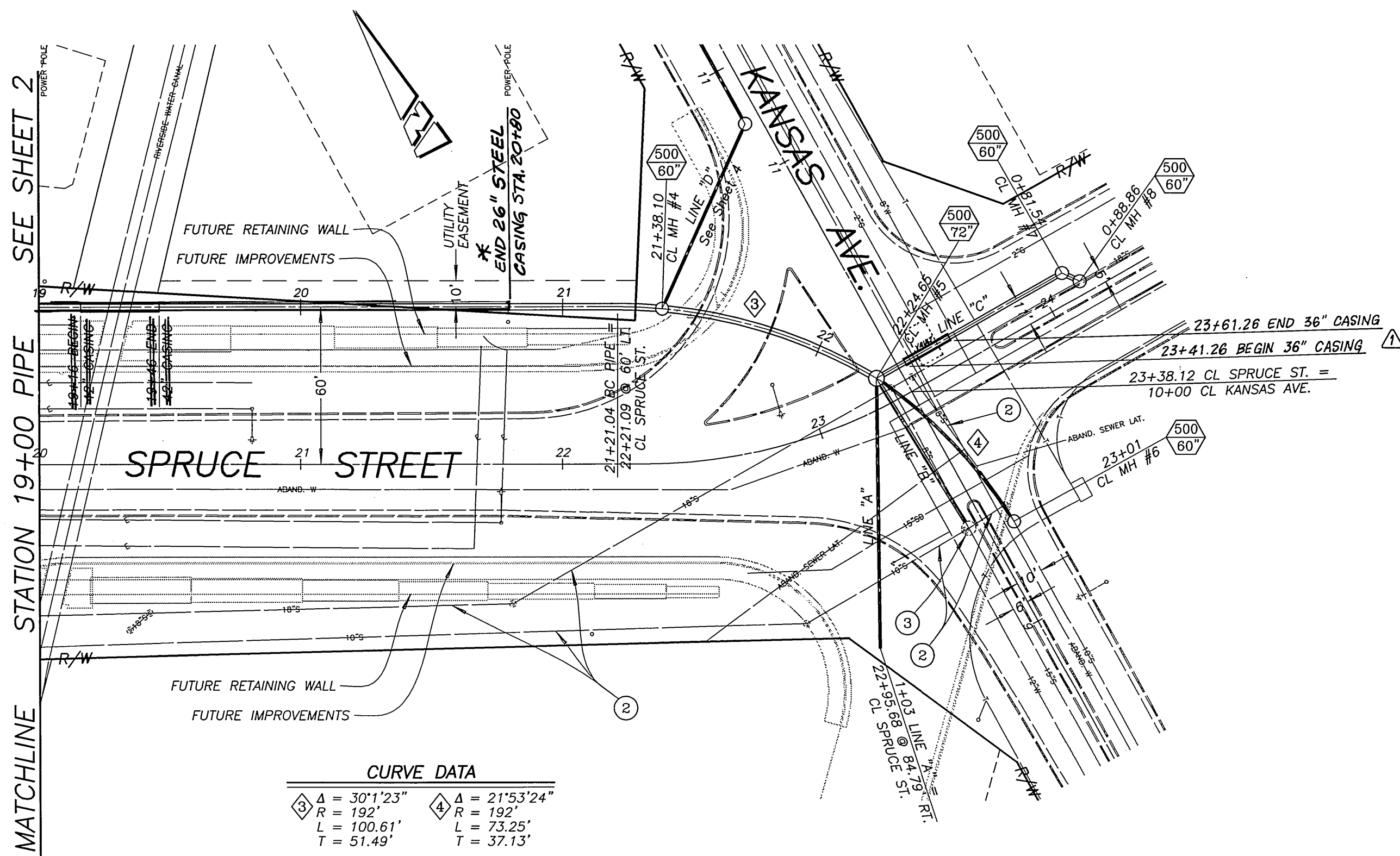
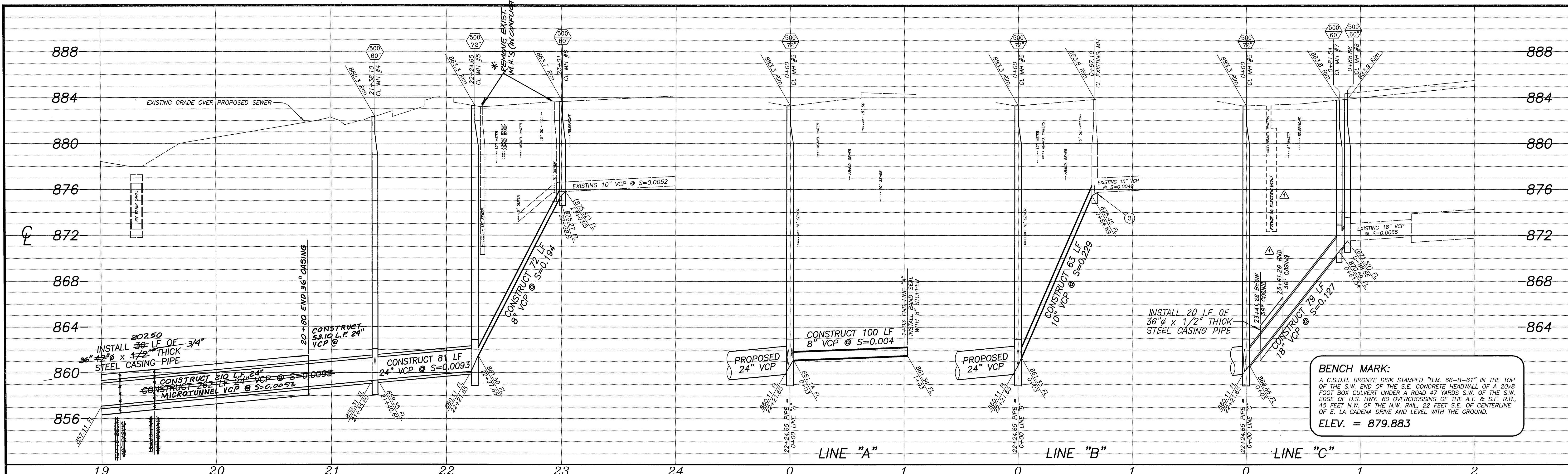


MARK	REVISIONS	APPR.	DATE

**CITY OF RIVERSIDE, CALIFORNIA**  
**PUBLIC WORKS DEPARTMENT**  
 APPROVED BY: [Signature]  
 DEPUTY P.W. DIRECTOR  
 PRINCIPAL ENGINEER  
 CONST. CONTRACT ADMIN.  
 STREET SERVICES  
 SURVEYOR  
 TRAFFIC DIVISION  
 PARKS DEPARTMENT

**SPRUCE STREET SEWER RELOCATION**  
 Mulberry Street to Kansas Avenue  
 HORIZONTAL SCALE: 1" = 40'  
 VERTICAL SCALE: 1" = 4'

ACCT. NO. 9756823203 440301xx  
**S-1768**  
 SHEET 2 OF 4



\* DETAIL MANHOLE #3  
N.T.S.

\* AS-BUILT 9-25-03 *lfH*

**CONSTRUCTION NOTES**

- NUMBERS ABOVE 100 IN A HEXAGON ON THE PLAN REFER TO THE RESPECTIVE STANDARD DRAWING AND SHALL BE CONSTRUCTED ACCORDINGLY UNLESS MODIFICATION ARE NOTED ON THE PLAN. ANY NUMBER SHOWN BELOW THE STANDARD DRAWING NUMBER INDICATES THE SPECIFIC ALTERNATE TO BE CONSTRUCTED.
- 500/60 CITY OF RIVERSIDE STANDARD DRAWING NUMBER INSIDE DIAMETER OF MANHOLE
- 1 EXISTING SEWER TO REMAIN IN SERVICE.
- 2 ABANDON EXISTING SEWER IN PLACE.
- 3 RECHANNEL MANHOLE BOTTOM

**IMPORTANT NOTICE**  
Section 4139.4217 of the Government Code requires a Dig Alert Identification Number to be issued before a "Permit to Excavate" will be valid. For your Dig Alert ID, Number call CALL TOLL FREE 48 HOURS BEFORE YOU DIG UNDERGROUND SERVICE ALERT 1-800-227-2600

**ENGINEER IN RESPONSIBLE CHARGE**  
*Lauren Fred Caldwell*  
LAUREN FRED CALDWELL  
R.C.E. No. 39441 expires 12/31/05  
DATE *12/15/03*



MARK	Added 36" Steel Casing to Line "C".	APPR.	DATE
REVISIONS			

**CITY OF RIVERSIDE, CALIFORNIA**  
**PUBLIC WORKS DEPARTMENT**

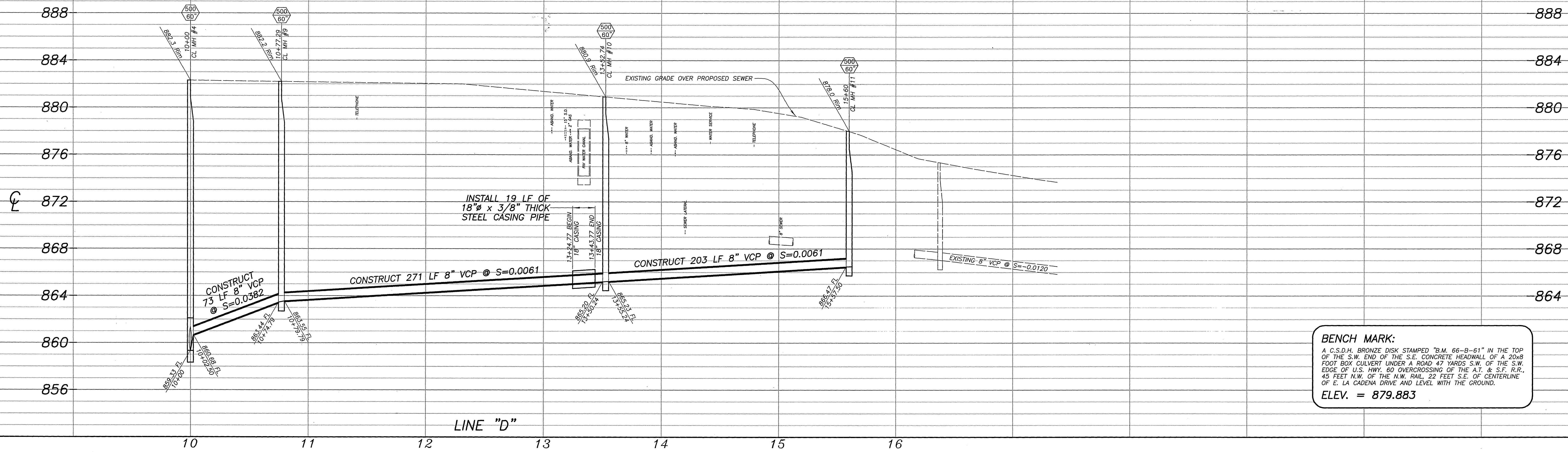
APPROVED BY	BY	DATE	APPROVED BY
DEPUTY P.W. DIRECTOR			
PRINCIPAL ENGINEER			
CONST. CONTRACT ADMIN.			
STREET SERVICES			
SURVEYOR			
TRAFFIC DIVISION			
PARKS DEPARTMENT			

**SPRUCE STREET SEWER RELOCATION**  
Mulberry Street to Kansas Avenue

**S-1768**

SHEET 3 OF 4

HORIZONTAL SCALE: 1" = 40' VERTICAL SCALE: 1" = 4'



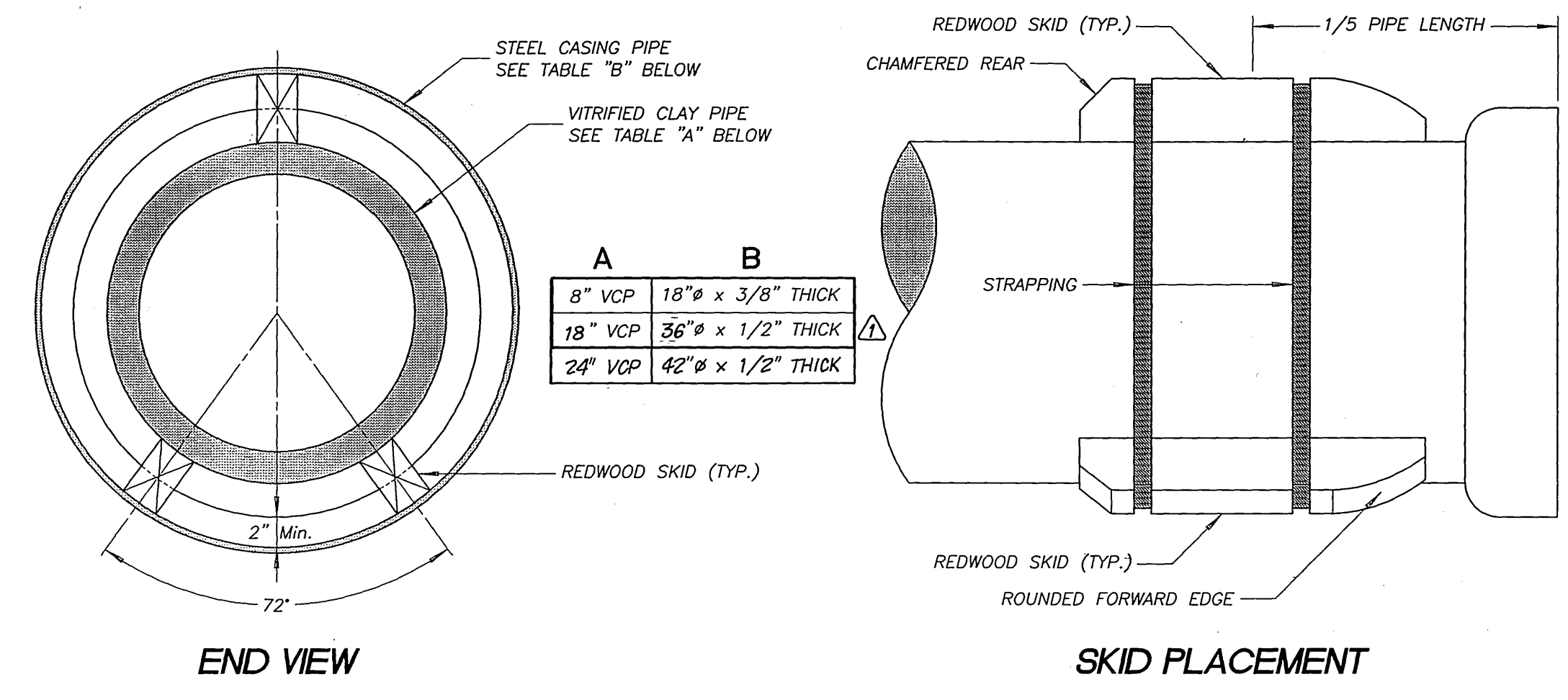
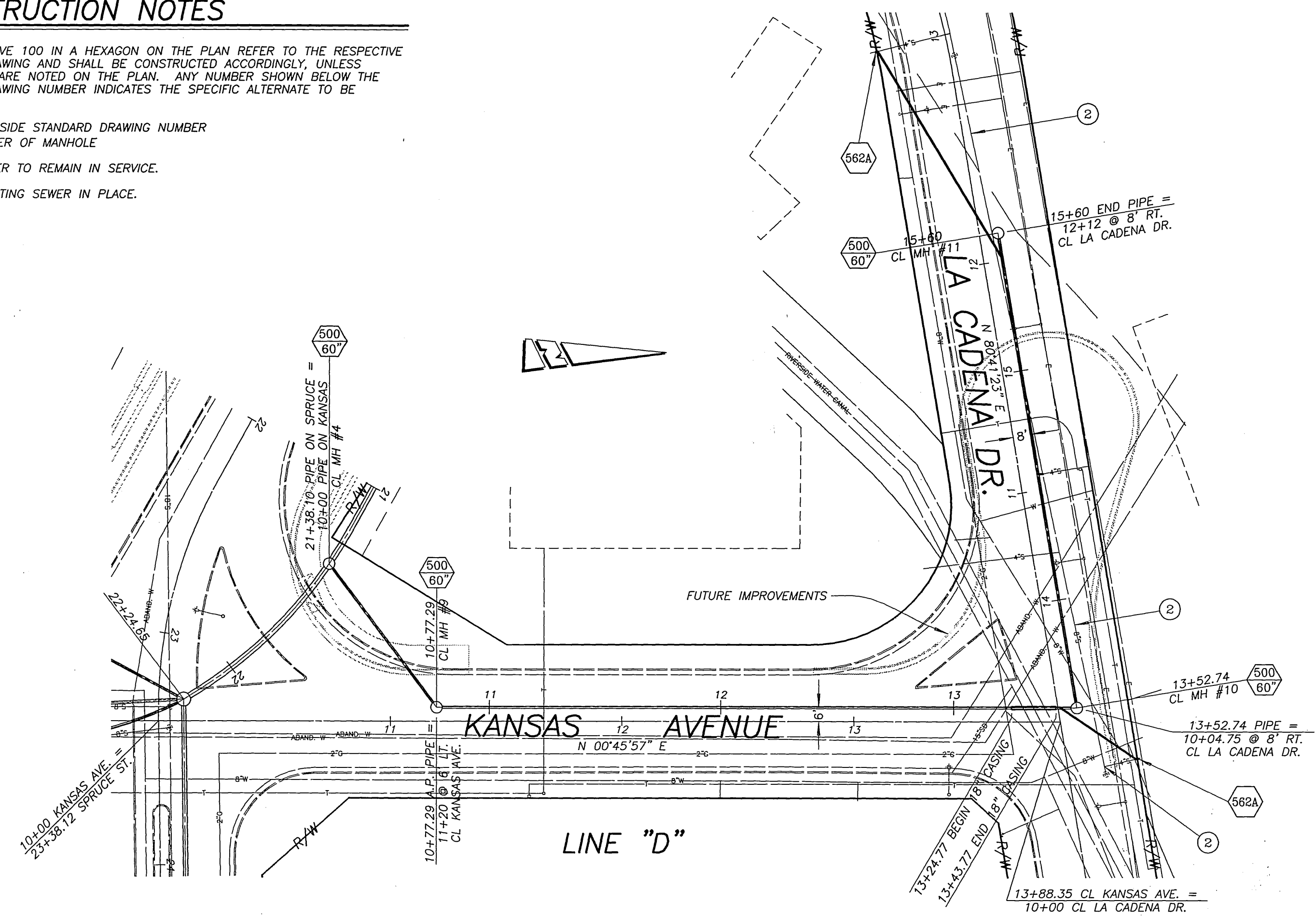
**BENCH MARK:**  
 A C.S.D.H. BRONZE DISK STAMPED "B.M. 86-9-61" IN THE TOP OF THE S.W. END OF THE S.E. CONCRETE HEADWALL OF A 20x8 FOOT BOX CULVERT UNDER A ROAD 47 YARDS S.W. OF THE S.W. EDGE OF U.S. HWY. 60 OVERCROSSING OF THE A.T. & S.F. R.R., 45 FEET N.W. OF THE N.W. RAIL, 22 FEET S.E. OF CENTERLINE OF E. LA CADENA DRIVE AND LEVEL WITH THE GROUND.  
 ELEV. = 879.883

**CONSTRUCTION NOTES**

- NUMBERS ABOVE 100 IN A HEXAGON ON THE PLAN REFER TO THE RESPECTIVE STANDARD DRAWING AND SHALL BE CONSTRUCTED ACCORDINGLY, UNLESS MODIFICATION ARE NOTED ON THE PLAN. ANY NUMBER SHOWN BELOW THE STANDARD DRAWING NUMBER INDICATES THE SPECIFIC ALTERNATE TO BE CONSTRUCTED.
- 500/60 CITY OF RIVERSIDE STANDARD DRAWING NUMBER INSIDE DIAMETER OF MANHOLE
- 1 EXISTING SEWER TO REMAIN IN SERVICE.
- 2 ABANDON EXISTING SEWER IN PLACE.

**NOTES**

1. SKIDS SHALL BE REDWOOD, 30" LONG, 4" WIDE, AND OF SUFFICIENT HEIGHT TO PROVIDE A MINIMUM 2" CLEARANCE BETWEEN INVERT OF CASING AND BELL OF VCP. ALL SKIDS SHALL BE OF EQUAL DIMENSIONS AND POSITIONED UNIFORMLY.
2. ALL STEEL CASING PIPE FIELD JOINTS SHALL BE WELDED WITH A CONTINUOUS CIRCUMFERENTIAL WELD.
3. CARRIER PIPE SHALL BE AIR TESTED PRIOR TO SLURRY BACKFILLING AND SEALING CASING.
4. VOID BETWEEN CASING AND CARRIER PIPE SHALL BE FILLED WITH A ONE SACK PCC SLURRY MIX.
5. UPSTREAM AND DOWNSTREAM ELEVATIONS TO BE VERIFIED PRIOR TO SEALING CASING.
6. ENDS OF CASING TO BE SEALED WITH BRICK AND MORTAR. PLACE 1" MINIMUM PVC PIPE AT INVERT OF CASING (THROUGH BRICK) AND SURROUND WITH 2 CUBIC FEET CRUSHED ROCK.



**STEEL CASING PIPE AND SKID TYPICAL DETAIL**  
 N.T.S.

**IMPORTANT NOTICE**  
 Section 4136/4217 of the Government Code requires a Dig Alert Identification Number to be issued before a "Permit to Excavate" will be valid. For your Dig Alert ID Number call CALL TOLL FREE 48 HOURS BEFORE YOU DIG UNDERGROUND SERVICE ALERT 1-800-227-2600

**ENGINEER IN RESPONSIBLE CHARGE**  
 LAUREN FRED CALDWELL  
 R.C.E. No. 39441 expires 12/31/05  
 DATE 12/14/05



CITY OF RIVERSIDE, CALIFORNIA PUBLIC WORKS DEPARTMENT		APPROVED BY	BY	DATE	APPROVED BY	
DEPUTY P.W. DIRECTOR		[Signature]		[Date]	PUBLIC WORKS DIRECTOR	
PRINCIPAL ENGINEER		[Signature]		[Date]	DATE	
CONST. CONTRACT ADMIN.		[Signature]		[Date]	DATE	
STREET SERVICES		[Signature]		[Date]	DATE	
SURVEYOR		[Signature]		[Date]	DATE	
TRAFFIC DIVISION		[Signature]		[Date]	DATE	
PARKS DEPARTMENT		[Signature]		[Date]	DATE	

\*AS-BUILT 9-28-05 LFI  
**SPRUCE STREET SEWER RELOCATION**  
 Mulberry Street to Kansas Avenue  
 HORIZONTAL SCALE: 1" = 40' VERTICAL SCALE: 1" = 4'  
 ACCT. NO. 975682323 440301xx  
**S-1768**  
 SHEET 4 OF 4