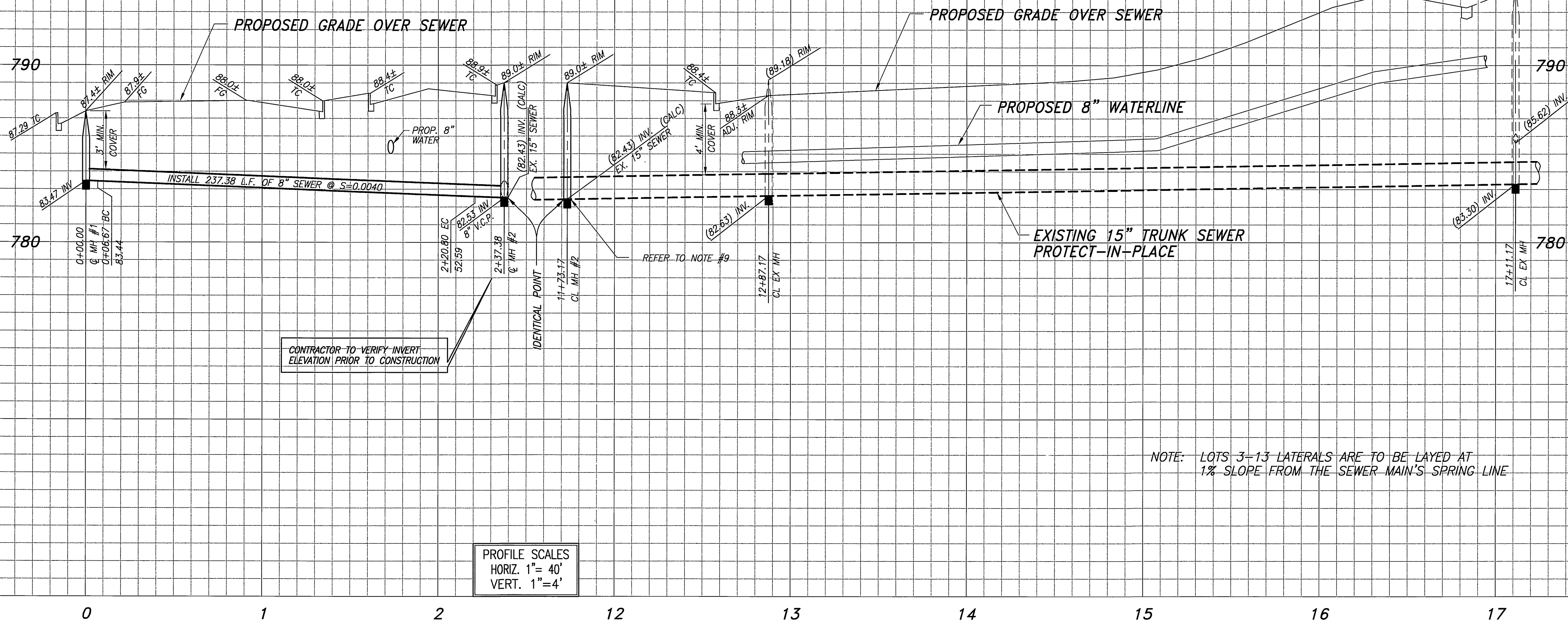


# SEWER IMPROVEMENT PLAN FOR: TRACT No. 30126 RIVERSIDE, CA.

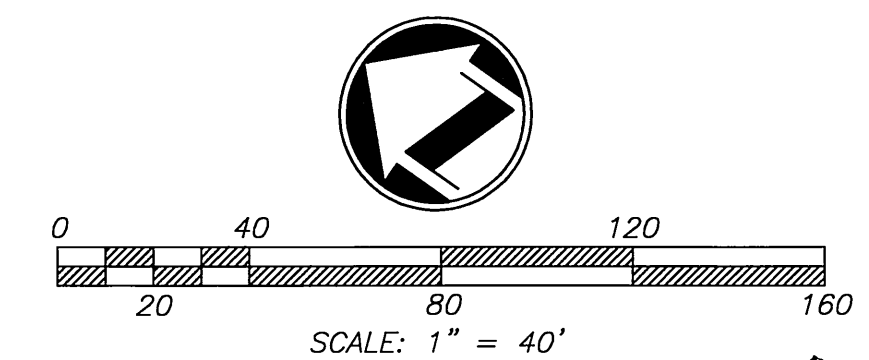
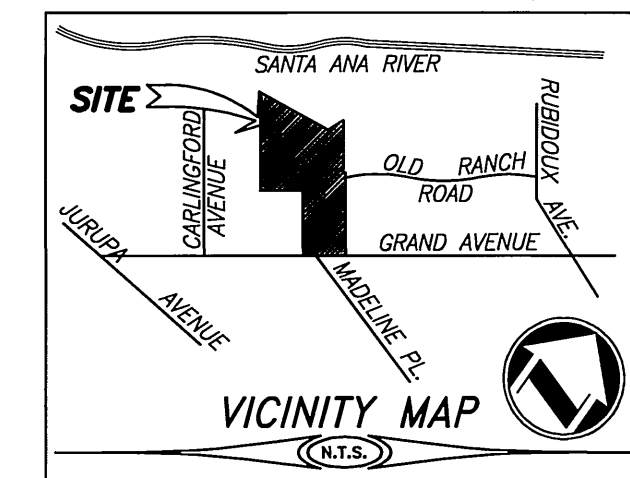
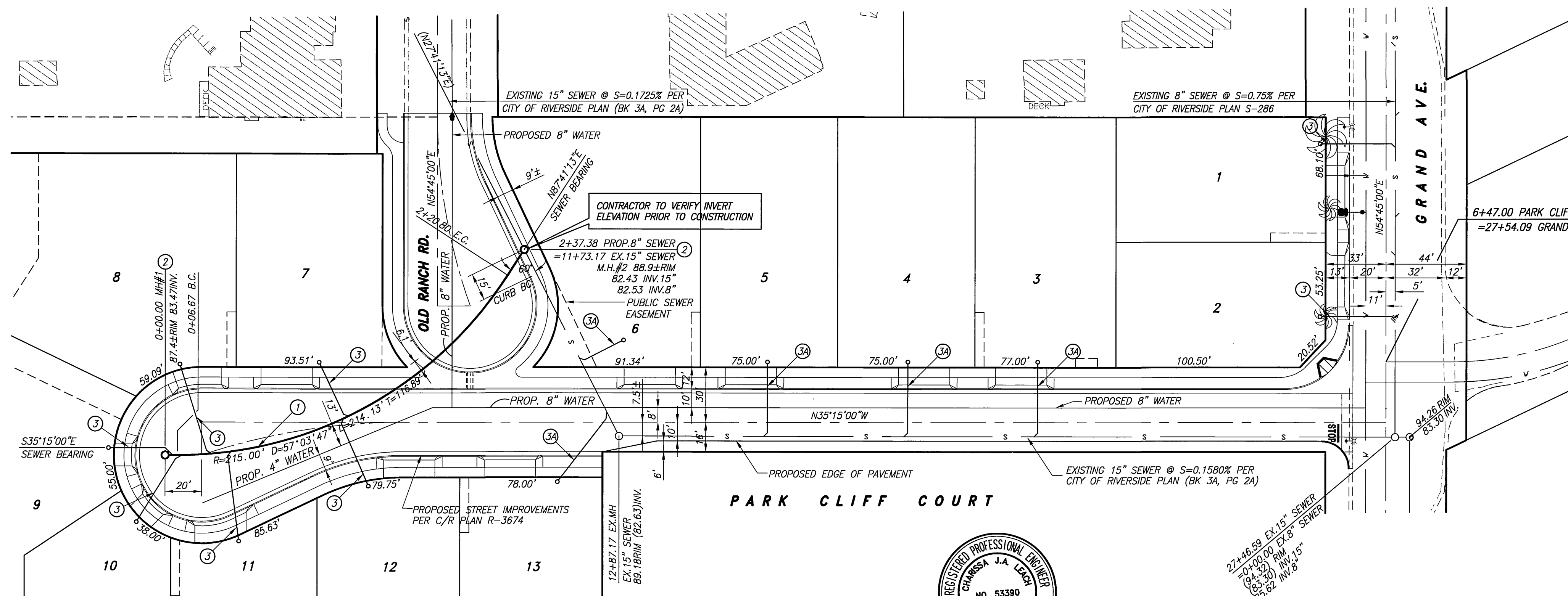


### GENERAL NOTES

- NO PERSON SHALL PERFORM ANY CONSTRUCTION ACTIVITY OR INSTALL ANY OBJECTS WITHIN THE PUBLIC RIGHT-OF-WAY OR EASEMENTS OF THE CITY OF RIVERSIDE WITHOUT A VALID CONSTRUCTION PERMIT OR, A STREET OPENING PERMIT OR AN ENCROACHMENT PERMIT ISSUED BY THE CITY'S PUBLIC WORKS DEPARTMENT.
- IT SHALL BE THE RESPONSIBILITY OF THE CONTRACTOR TO CLEAR THE RIGHT OF WAY IN ACCORDANCE WITH THE PROVISIONS OF LAW AS IT AFFECTS EACH UTILITY INCLUDING IRRIGATION LINES AND APPURTENANCES AND AT NO COST TO THE CITY.
- CONSTRUCTION SHALL BE IN ACCORDANCE WITH THE CITY OF RIVERSIDE DEPARTMENT OF PUBLIC WORKS, STANDARD DRAWINGS, ITS SUPPLEMENTAL NOTES AND THE STANDARD SPECIFICATIONS FOR PUBLIC WORKS CONSTRUCTION, CURRENT EDITION.
- THE PRIVATE ENGINEER SIGNING THESE PLANS IS RESPONSIBLE FOR ASSURING THE ACCURACY AND ACCEPTABILITY OF THE WORK HEREON. IN THE EVENT OF DISCREPANCIES ARISING DURING CONSTRUCTION, THE PRIVATE ENGINEER SHALL BE RESPONSIBLE FOR DETERMINING AN ACCEPTABLE SOLUTION AND REVISING THE PLANS FOR APPROVAL BY THE CITY.
- QUANTITIES SHOWN ARE FOR INFORMATION ONLY AND THE CITY OF RIVERSIDE IS NOT RESPONSIBLE FOR THEIR ACCURACY.
- THE DEVELOPER SHALL BE RESPONSIBLE FOR PRESERVING OR RE-ESTABLISHING AND REFERENCING SURVEY MONUMENTS DESTROYED, DISTURBED OR BURIED AS A RESULT OF CONSTRUCTION SHOWN HEREON.
- ALL FLAGGED ELEVATIONS SHALL BE STAKED IN THE FIELD BY THE PRIVATE ENGINEER.
- THE CONTRACTOR SHALL CALL IN A LOCATION REQUEST TO UNDERGROUND SERVICE ALERT (USA), PHONE # 1-800-227-2600, TWO WORKING DAYS BEFORE DIGGING. NO CONSTRUCTION PERMIT WILL BE ISSUED BY THE PUBLIC WORKS DEPARTMENT INVOLVING EXCAVATION FOR UNDERGROUND FACILITIES UNLESS THE APPLICANT HAS BEEN PROVIDED AN INQUIRY IDENTIFICATION NUMBER BY U.S.A.
- CONTRACTOR IS TO VERIFY EXISTING SEWER ELEVATION PRIOR TO CONSTRUCTION.
- LOCATION OF LATERALS TO BE DETERMINED IN THE FIELD AT THE DIRECTION OF THE OWNER. AVOID CONFLICT WITH PROPOSED AND/OR EXISTING FACILITIES.
- NO FINISHED FLOOR ELEVATION SHALL BE LESS THAN 6" ABOVE THE UPPER MANHOLE RIM ELEVATION OF THE SEWER LINE SEGMENT BEING CONNECTED TO, WITHOUT HAVING A PROPER BACKWATER VALVE INSTALLED IN THE LATERAL.
- A PLUG SHALL BE INSTALLED AND WILL REMAIN IN PLACE WHERE THE NEW SEWER CONNECTS WITH THE EXISTING SEWER UNTIL THE NEW SEWER IS ACCEPTED BY THE CITY.
- THE SEWER CONTRACTOR SHALL ADJUST MANHOLES TO FINAL GRADE AFTER PAVING IS COMPLETED.

NOTE: LOTS 3-13 LATERALS ARE TO BE LAYED AT 1% SLOPE FROM THE SEWER MAIN'S SPRING LINE

PROFILE SCALES  
HORIZ. 1" = 40'  
VERT. 1" = 4'



### CONSTRUCTION NOTES AND QUANTITY ESTIMATE

THE QUANTITIES SHOWN BELOW ARE FOR BONDING INFORMATION ONLY. THE CONTRACTOR IS TO CONSTRUCT PROJECT PER THESE PLANS AND SUBMIT CONSTRUCTION BID BASED ON THEIR OWN QUANTITY "TAKE-OFF".

- |   |   |        |
|---|---|--------|
| ① | CONSTRUCT 8" V.C.P. SEWER WITH CLASS III BEDDING PER CITY STD. DWD. NO. 452   | 234 LF |
| ② | CONSTRUCT MANHOLE PER C/R/V. STD. DWG. 500  | 2 EA   |
| ③ | CONSTRUCT 4" V.C.P. SEWER LATERAL WITH C.O. AT R/W PER C/R/V. STD. DWG. 562A  | 296 LF |
| ④ | CONSTRUCT 4" V.C.P. SEWER LATERAL WITH C.O. AT R/W PER C/R/V. STD. DWG. 562A (CORE DRILL AND SADDLE INTO EX. 15" SEWER) | 154 LF |

\*AS-BUILT PER PLANS 11-09-03 LHM

CITY OF RIVERSIDE WATER DEPT. APPROVED BY: [Signature] DATE: 1/16/03	CITY OF RIVERSIDE PUBLIC UTILITIES DEPT. ELECTRIC OVERHEAD & UNDERGROUND APPROVED BY: [Signature] DATE: 1/27/03
SO. CA. GAS CO. REVIEWED BY: [Signature] DATE: 1-06-03	PACIFIC BELL REVIEWED BY: [Signature] DATE: 1-09-03
CHARTER COMMUNICATIONS REVIEWED BY: [Signature] DATE: 1-12-03	

**Underground Service Alert**  
Call: TOLL FREE  
1-800-227-2600  
TWO WORKING DAYS BEFORE YOU DIG

PLAN PREPARED BY:  
**adkan ENGINEERS**  
CIVIL ENGINEERING • SURVEYING • PLANNING  
6820 AIRPORT DRIVE, RIVERSIDE, CA 92504  
TEL: (909) 888-0241 FAX: (909) 888-0599  
DATE: 1-14-03



BENCHMARK: H5-13  
CITY OF RIVERSIDE  
P.K. MAIL & CITY ENGINEER TAG IN THE TOP OF THE NLY CATCH BASIN AT THE NLY CURB RETURN OF GRAND AVENUE & RUBIDOUX AVE.  
ELEVATION: 801.352  
DESIGNED BY: BERNIE DRAWN BY: CRAIG CHECKED BY: C-

**CITY OF RIVERSIDE PUBLIC WORKS DEPARTMENT**  
APPROVED BY: [Signature] DATE: 2/1/03  
PRINCIPAL ENGINEER  
TRAFFIC DIVISION  
DEPUTY PUBLIC WORKS DIRECTOR

SEWER PLAN AND PROFILE	ACCOUNT NO.
TRACT 30126	S-1777
PARK CLIFF COURT - WESTERLY OF GRAND AVENUE	SHEET 1 OF 1
HORIZ. SCALE: 1" = 40' VERT. SCALE: 1" = 4'	J.N. 6029

INDEXED 3-20-03 LHM