

GENERAL CONSTRUCTION NOTES:

- 1 EXISTING UTILITIES SHOWN ON THE PLAN, ARE PLOTTED FROM UTILITY RECORDS. THE CONTRACTOR IS REQUIRED TO TAKE DUE PRECAUTIONARY MEASURES TO LOCATE AND PROTECT ALL UTILITIES WHETHER OR NOT SHOWN ON THIS PLAN.
- 2 PRIME CONTRACTORS BIDDING THIS WORK SHALL HAVE A CLASS "A", "C-34", OR A "C-42" LICENSE.
- 3 ALL ELEVATIONS SHOWN ON THE PLANS SHALL BE STAKED IN THE FIELD.
- 4 PRIOR TO THE ISSUANCE OF GRADE SHEETS, ALL POTENTIALLY CONFLICTING UTILITIES AND THE MEET POINT OF THE 27" VCP AND 42" RCP SEWERS SHALL BE EXPOSED AND SURVEYED FOR PRECISE LOCATION AND ELEVATION BY CITY SURVEYORS.
- 5 CONSTRUCTION SHALL BE IN ACCORDANCE WITH THE CITY OF RIVERSIDE STANDARD DRAWINGS AND STANDARD SPECIFICATIONS FOR PUBLIC WORKS CONSTRUCTION, 2003 EDITION.
- 6 PIPE JOINTS FOR VITRIFIED CLAY PIPE SHALL BE TYPE "G" AS SPECIFIED IN SECTION 208-2.3 OF THE STANDARD SPECIFICATIONS OR AS SHOWN ON THE PLAN.
- 7 NUMBERS IN BRACKETS [] ARE IN METERS UNLESS UNITS ARE OTHERWISE SHOWN.
- 8 REPLACEMENT SECTION FOR THE BID ITEM "REMOVE & REPLACE STRUCTURAL SECTION" SHALL BE 0.36" AC OVER 0.33 CAB.



RIVERSIDE CITY OF RIVERSIDE CALIFORNIA

PUBLIC WORKS DEPARTMENT

SYCAMORE CANYON BLVD.
TRUNK SEWER REALIGNMENT

FROM 165' [50.29] N'LY OF FAIR ISLE DR.
TO 440' [134.11] S'LY OF LOCHMOOR DR.

CONSTRUCTION LEGEND:

- NUMBERS ABOVE 100 IN A HEXAGON ON THE PLAN REFER TO THE RESPECTIVE STANDARD DRAWING AND SHALL BE CONSTRUCTED ACCORDINGLY, UNLESS MODIFICATIONS ARE NOTED ON THE PLAN. ANY NUMBER SHOWN BELOW THE STANDARD DRAWING NUMBER INDICATES THE SPECIFIC ALTERNATE TO BE CONSTRUCTED.
- 72" [1.829] DIAMETER MANHOLE WITH PVC "T-LOCK" LINING.
- ABANDON MANHOLE AND ADJACENT CONDUITS. THERE ARE SIX (6) MANHOLES TO BE ABANDONED WITH THIS PROJECT. TWO (2) ARE LOCATED OUTSIDE THE LIMITS OF PLAN SHEET 2 BUT ARE WITHIN THE LIMITS OF THE VACATED PORTION OF SYCAMORE CANYON BLVD.
- REMOVE ENTIRE MANHOLE, INCLUDING BASE AND ABANDON ADJACENT CONDUITS.
- COLD MILL EXIST. A.C. 0.08" BELOW GUTTER LIP OR OUTER EDGE, "DAY-LIGHTING IN 5". AREAS WITH 10' WIDE COLD MILL SHALL BE STRAIGHT GRADED FROM 0.1' AT THE OUTSIDE EDGE TO "DAY LIGHT" IN 10'.

EXISTING UNDERGROUND & TOPOGRAPHY LEGEND

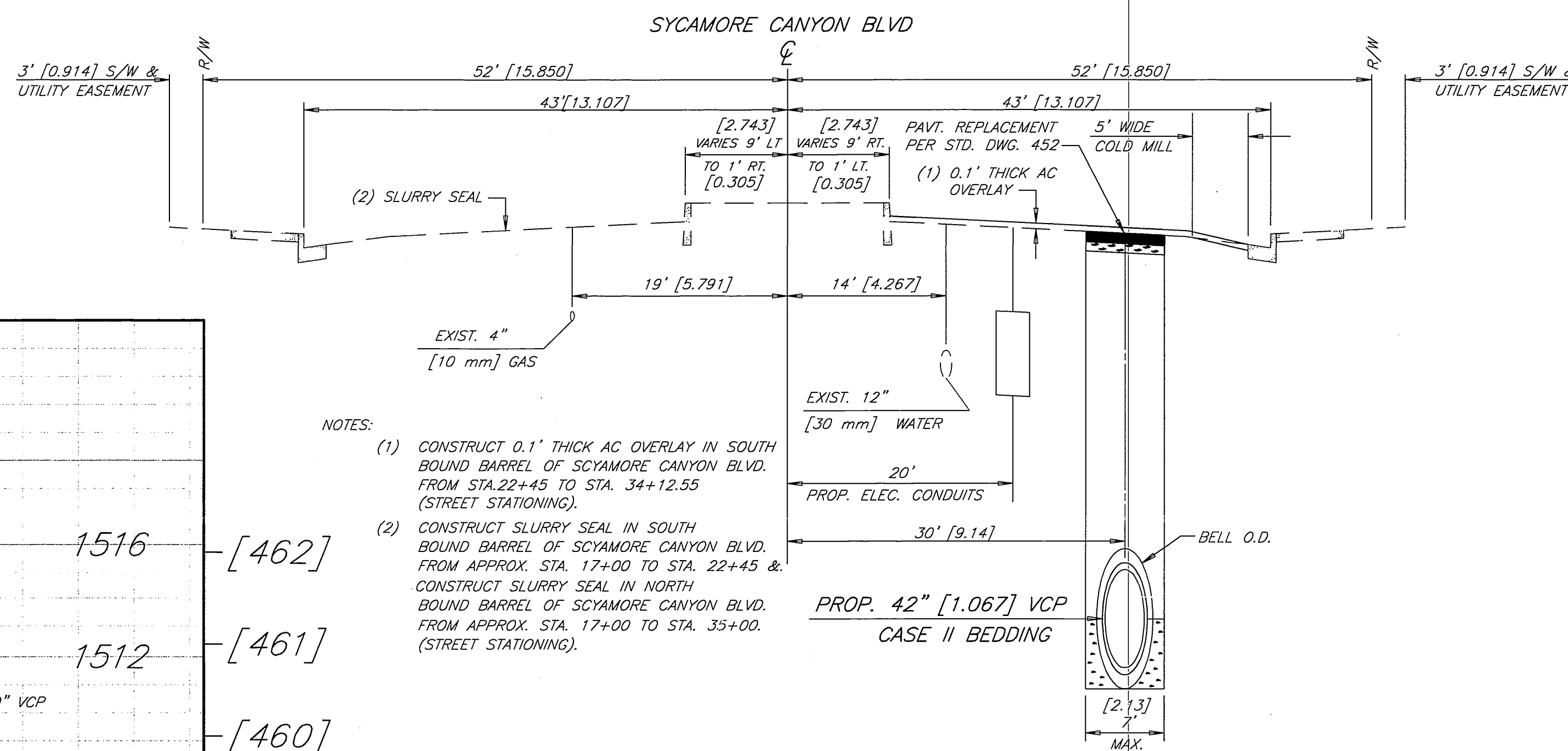
EXISTING UNDERGROUND UTILITIES:

- SANITARY SEWER 8" S
- WATER LINE 6" W
- STORM DRAIN 24" SD
- GAS LINE 3" G
- ABANDONED UTILITY 6" G (ABAND.)
- TELEPHONE CONDUIT
- ELECTRICAL CONDUIT E
- ELECTROLIER LIGHTING CONDUIT ELC
- TRAFFIC SIGNAL SIG
- FIRE ALARM F

EXISTING TOPOGRAPHY:

- BLOCK WALL
- BOARD FENCE
- WIRE FENCE
- CHAIN LINK FENCE
- TOP OF SLOPE
- TOE OF SLOPE
- DIRECTION OF FLOW

- SANITARY SEWER M.H.
- SANITARY SEWER CLEANOUT
- STORM DRAIN M.H.
- IRRIGATION WEIR
- WATER M.H.
- GAS M.H.
- ELECTRIC M.H.
- TELEPHONE M.H.
- WATER METER
- FIRE HYDRANT
- SPRINKLER HEAD
- VALVE
- AIR VALVE
- AIR VENT
- BUS STOP SIGN
- BLOW-OFF VALVE
- IRRIGATION STAND PIPE
- POLE & GUY ANCHOR
- POWER POLE
- TELEPHONE POLE
- TELEPHONE RISER
- JOINT USE POLE
- PULL BOX
- TRAFFIC SIGN
- PARKING METER
- FIRE ALARM BOX
- STREET NAME SIGN
- GAS METER
- MAIL BOX
- FAUCET
- WALK-DON'T WALK PEDESTRIAN SIGNAL
- ELECTRICAL TEST STATION
- WHEEL STOP
- A.C. BERM
- PEDESTRIAN PUSH BUTTON
- RAILROAD TRACKS
- RAILROAD SIGN
- RAILROAD SIGNAL
- TRAFFIC SIGNAL
- TRAFFIC SIGNAL ON MAST ARM
- TRAFFIC SIGNAL CONTROLLER
- TRAFFIC SIGNAL PRESSURE DETECTOR
- TRAFFIC SIGNAL LOOP DETECTOR
- STREET LIGHT & TRAFFIC SIGNAL ON MAST ARM
- STREET LIGHT (UPRIGHT)
- STREET LIGHT ON MAST ARM
- STEEL POST
- WOOD POST



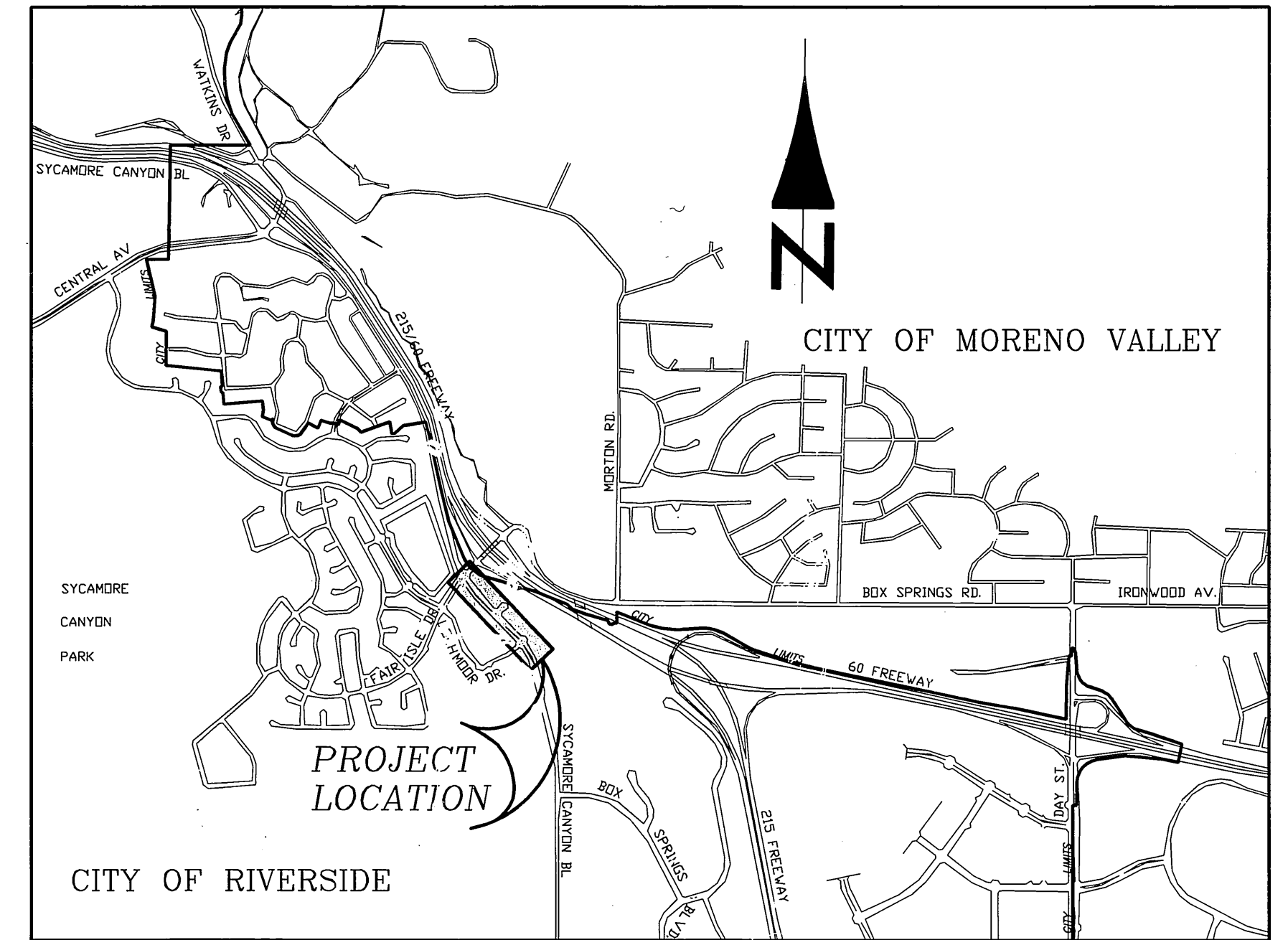
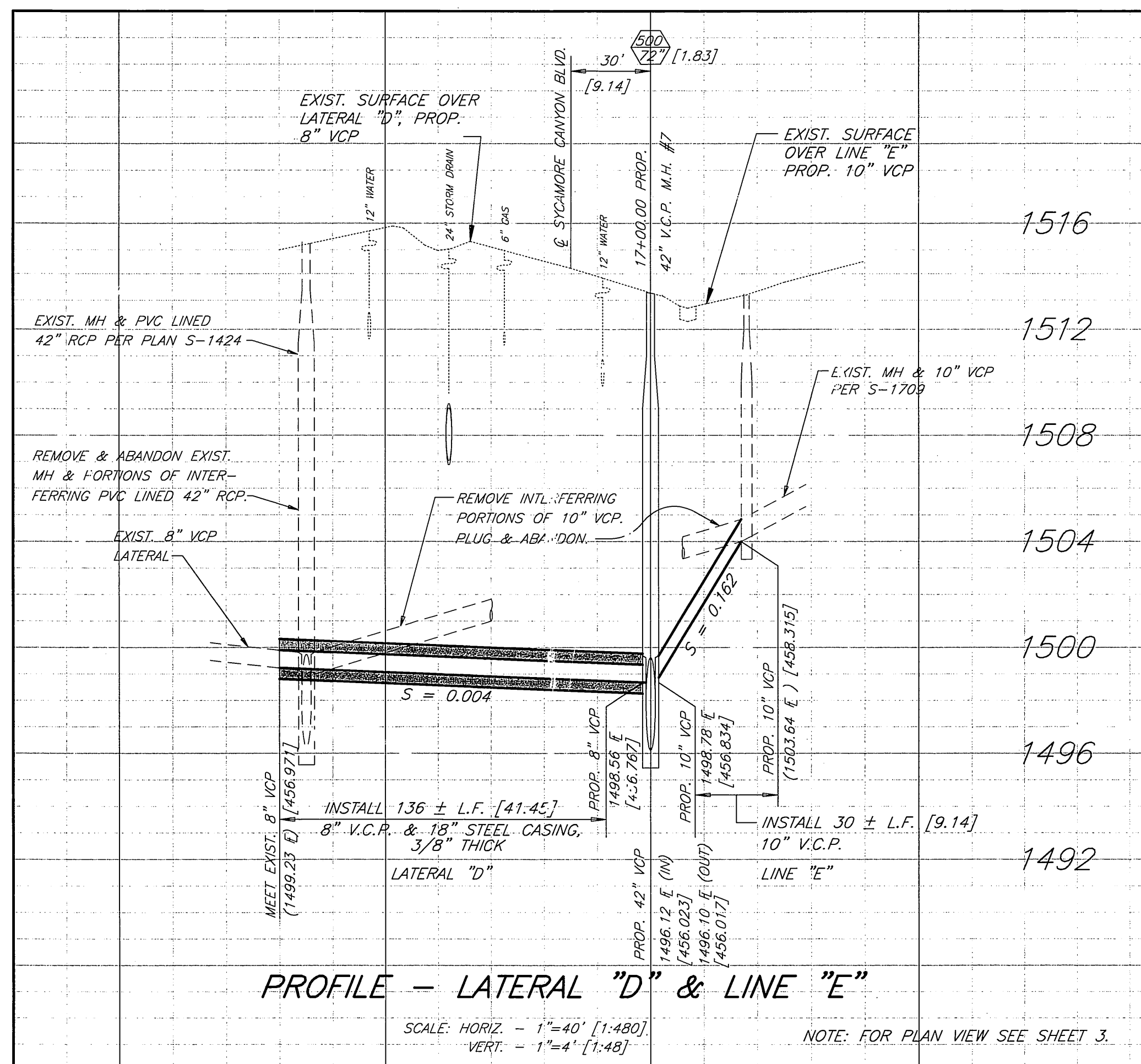
- NOTES:
- (1) CONSTRUCT 0.1" THICK AC OVERLAY IN SOUTH BOUND BARREL OF SYCAMORE CANYON BLVD. FROM STA. 22+45 TO STA. 34+12.55 (STREET STATIONING).
 - (2) CONSTRUCT SLURRY SEAL IN SOUTH BOUND BARREL OF SYCAMORE CANYON BLVD. FROM APPROX. STA. 17+00 TO STA. 22+45 & CONSTRUCT SLURRY SEAL IN NORTH BOUND BARREL OF SYCAMORE CANYON BLVD. FROM APPROX. STA. 17+00 TO STA. 35+00. (STREET STATIONING).

TYPICAL SECTION
PROP. 42" [1.067] SEWER IN
SYCAMORE CANYON BLVD.

SCALE: HORIZ. 1" = 10' [1 = 120]
VERT. 1" = 4' [1 = 48]

BENCHMARK L1-C3
P.K. NAIL AND CITY ENGINEER TAG IN THE NORTHERLY CORNER OF A CATCH BASIN IN THE MEDIAN CURB OF SYCAMORE CANYON BLVD, 95' [28.956] SOUTHWEST-ERLY OF FAIR ISLE DRIVE. ADJUSTED AND ENTERED: MAY 1997
ELEVATION 1510.379' [460.369]

IMPORTANT NOTICE
Section 4216/4217 of the Government Code requires a Dig Alert identification Number to be issued before a "Permit to Excavate" will be valid. For your Dig Alert I.D. Number call Underground Service Alert
TOLL FREE 1-800-227-2600
Two working days before you dig.

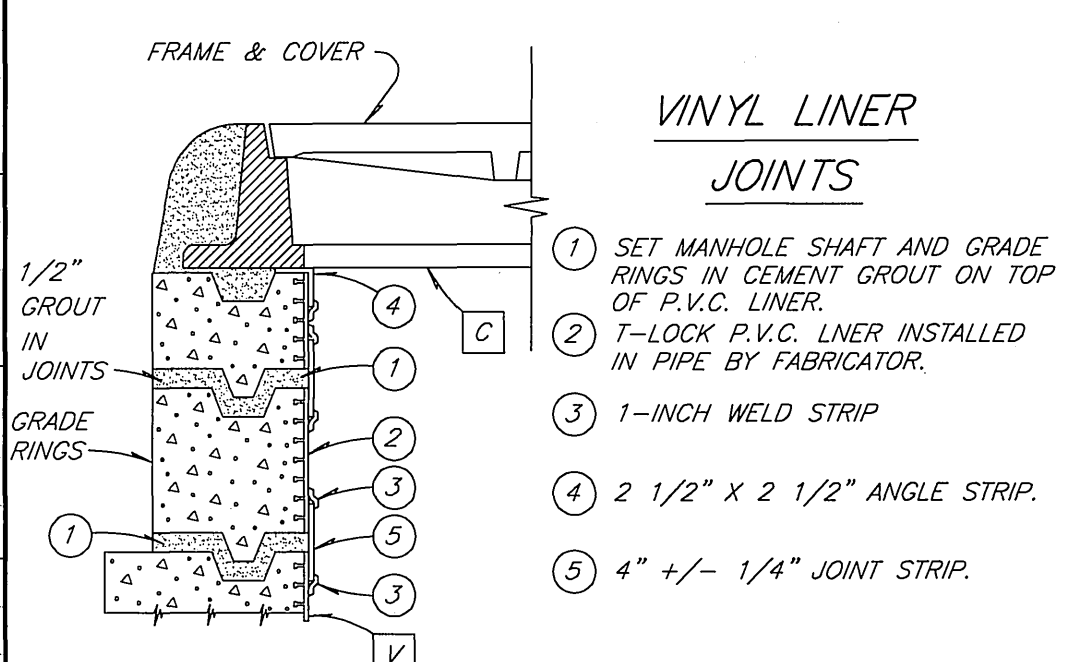
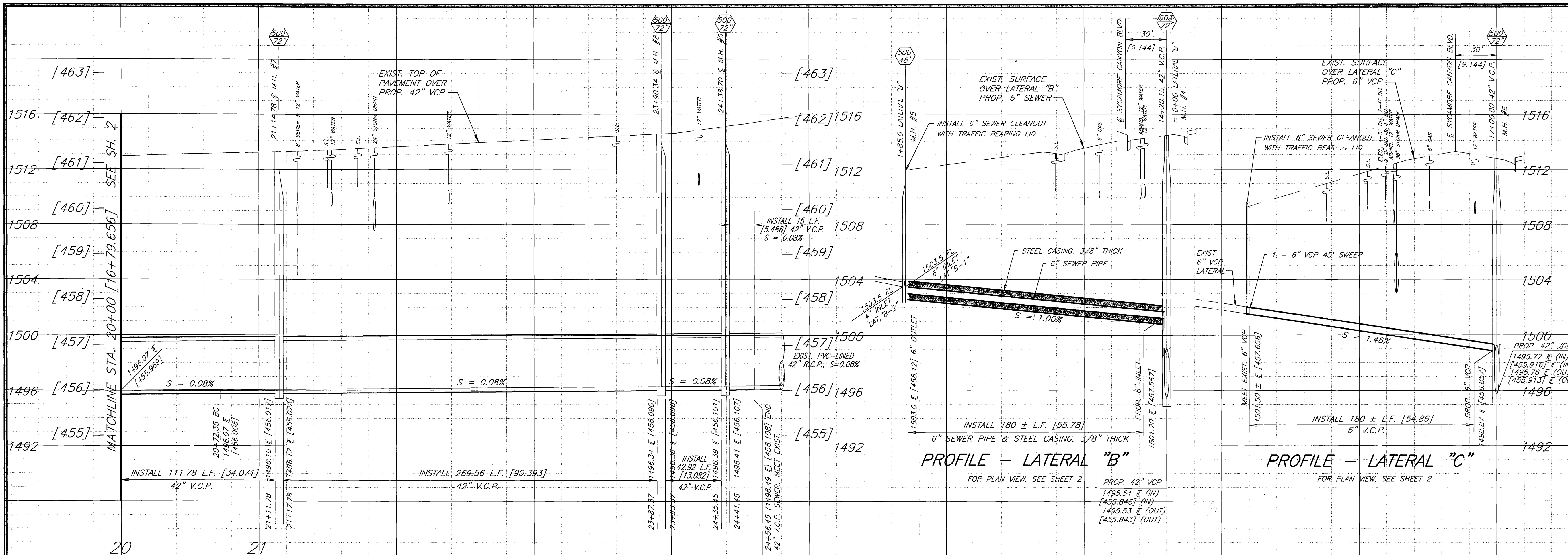


PROJECT LOCATION MAP

NO SCALE

SEWER RELOCATION NECESSARY DUE TO CALTRANS PROJECT TO WIDEN THE 60/215 FREEWAY.

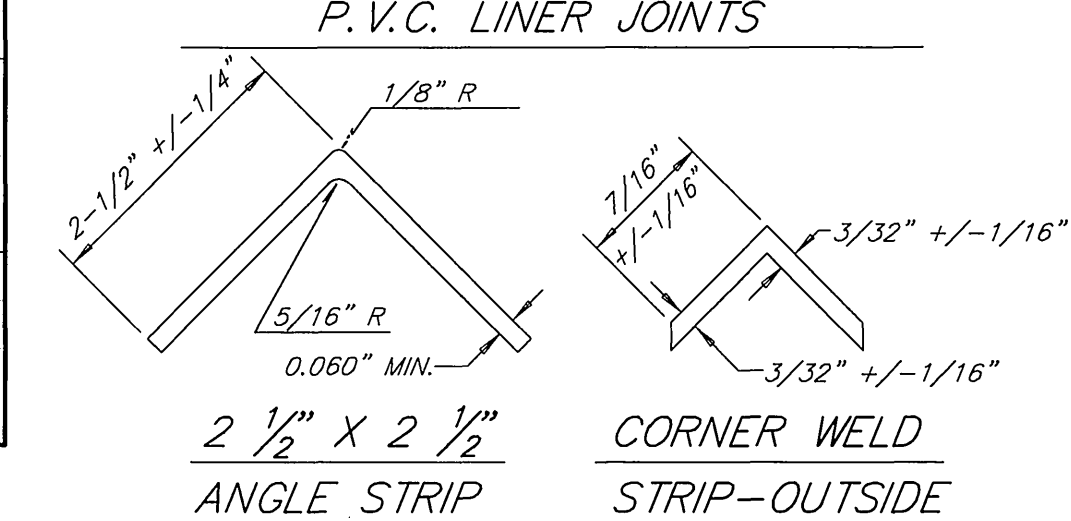
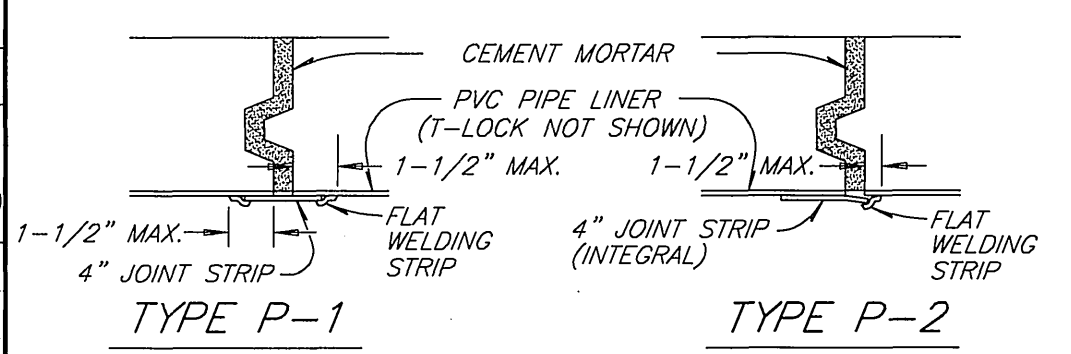
<p>ENGINEER IN RESPONSIBLE CHARGE LAUREN F. CALDWELL R.C.E. No. 39441 expires 12/31/05 DATE 5/20/04</p>	<p>CITY OF RIVERSIDE, CALIFORNIA PUBLIC WORKS DEPARTMENT</p> <p>APPROVED BY: [Signature] PRINCIPAL ENGINEER CONTRACT ADMINISTRATOR SEWER DIVISION STREET SERVICES TRAFFIC DIVISION</p>	<p>SYCAMORE CANYON BLVD. TRUNK SEWER REALIGNMENT FROM 165' [50.29] N'LY OF FAIR ISLE DR. TO 440' [134.11] S'LY OF LOCHMOOR DR.</p> <p>DATE 5/20/04</p>	<p>ACCT. NO.: 9762423203-44030109</p>
			<p>SHEET 1 OF 3</p> <p>FILE NO.</p>



COATING AND LINING SCHEDULE

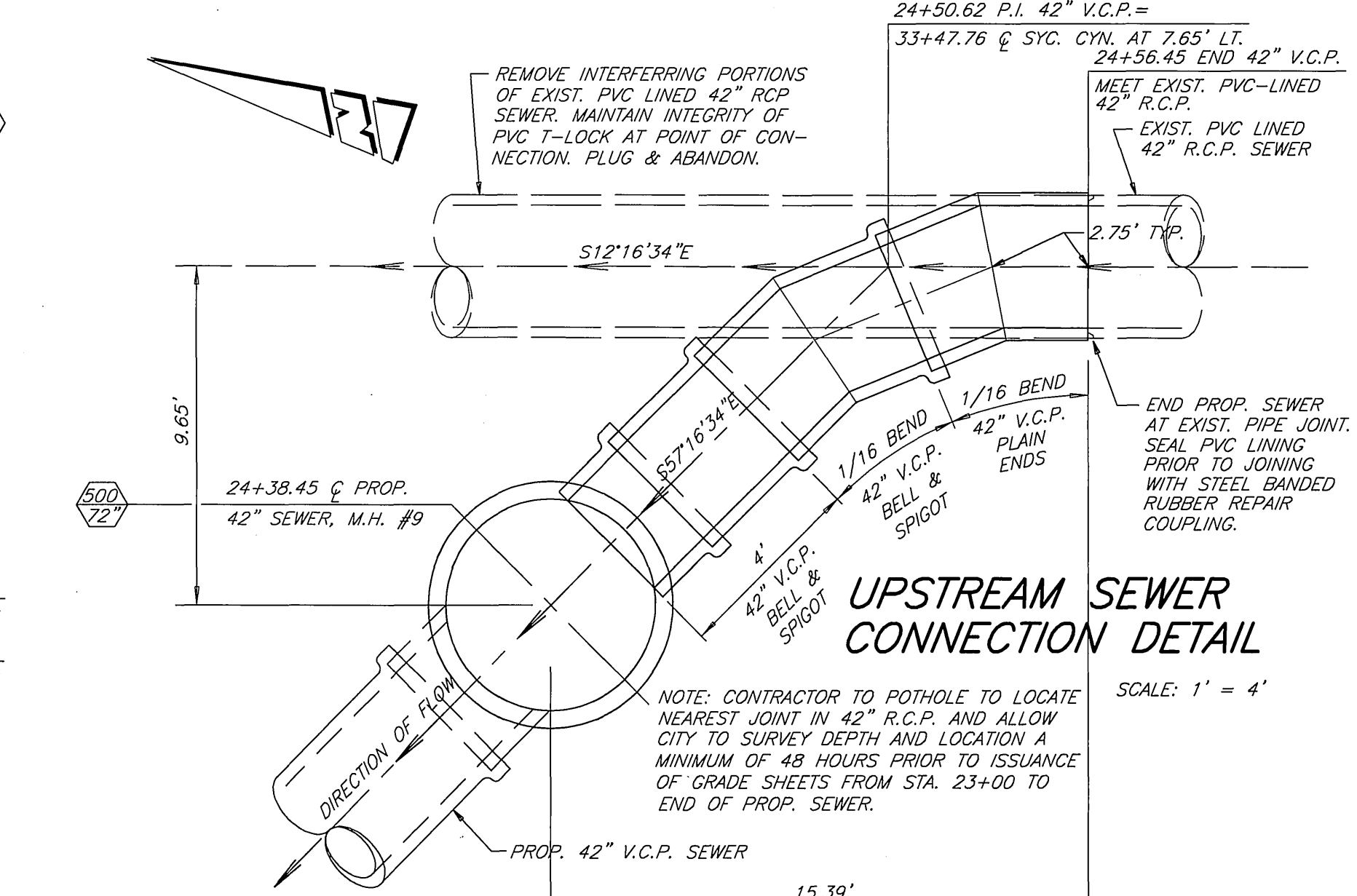
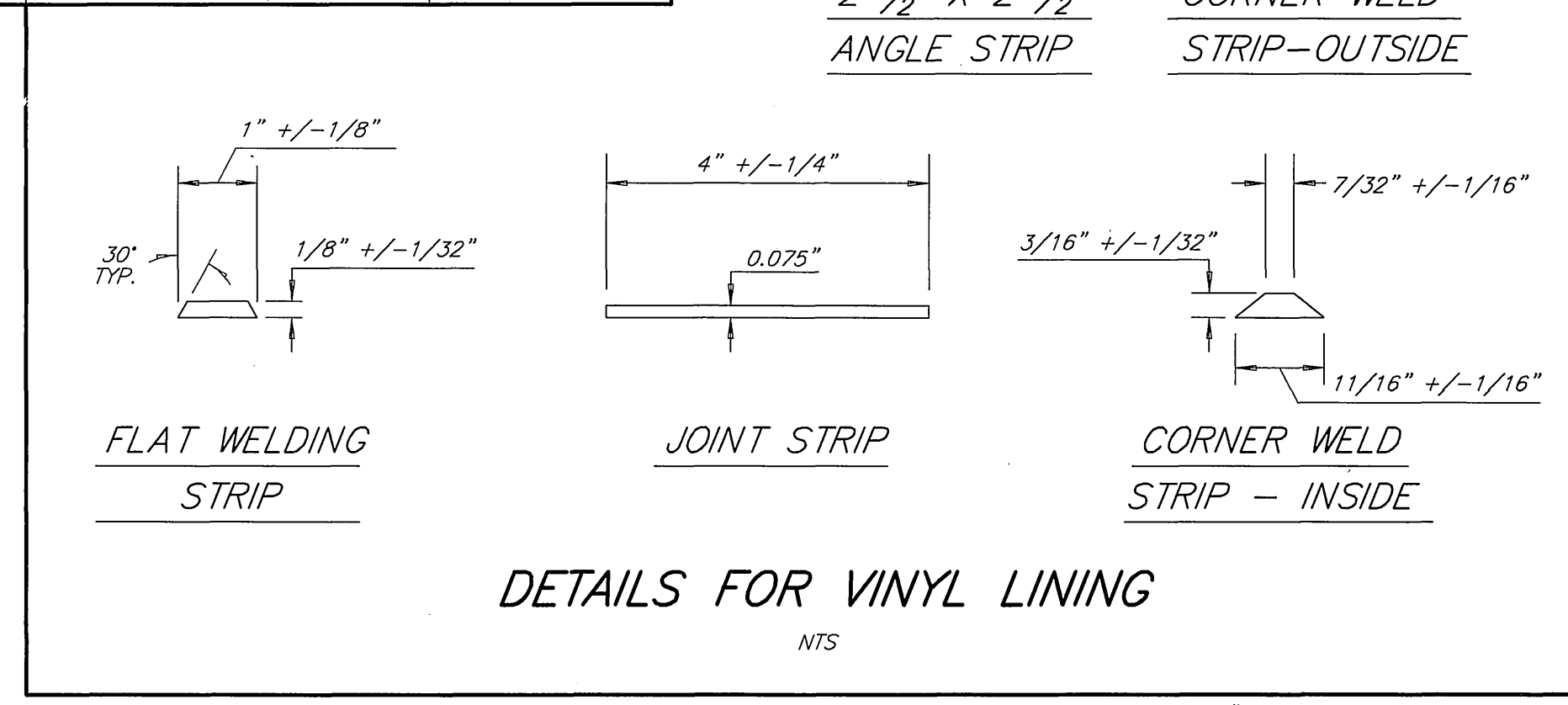
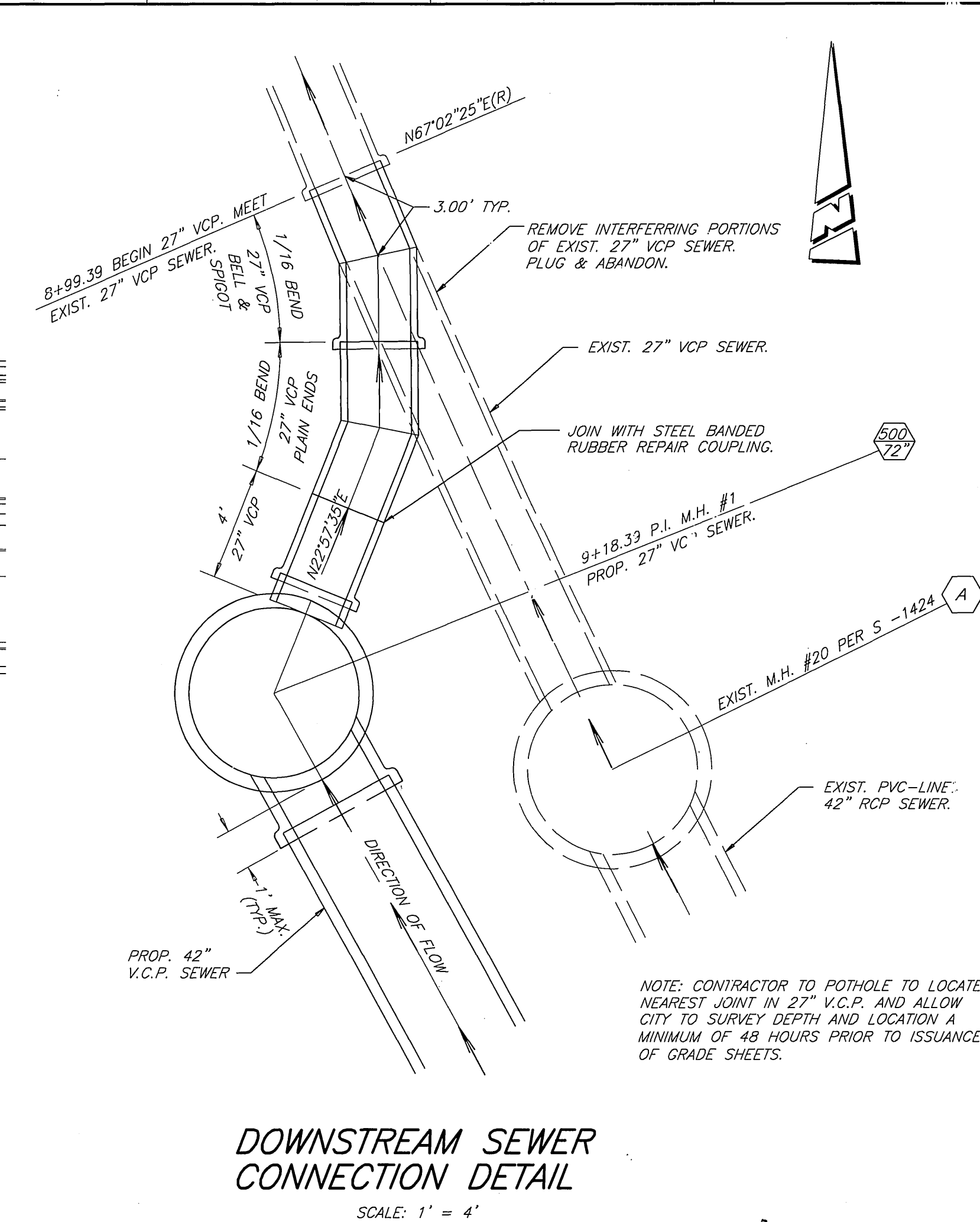
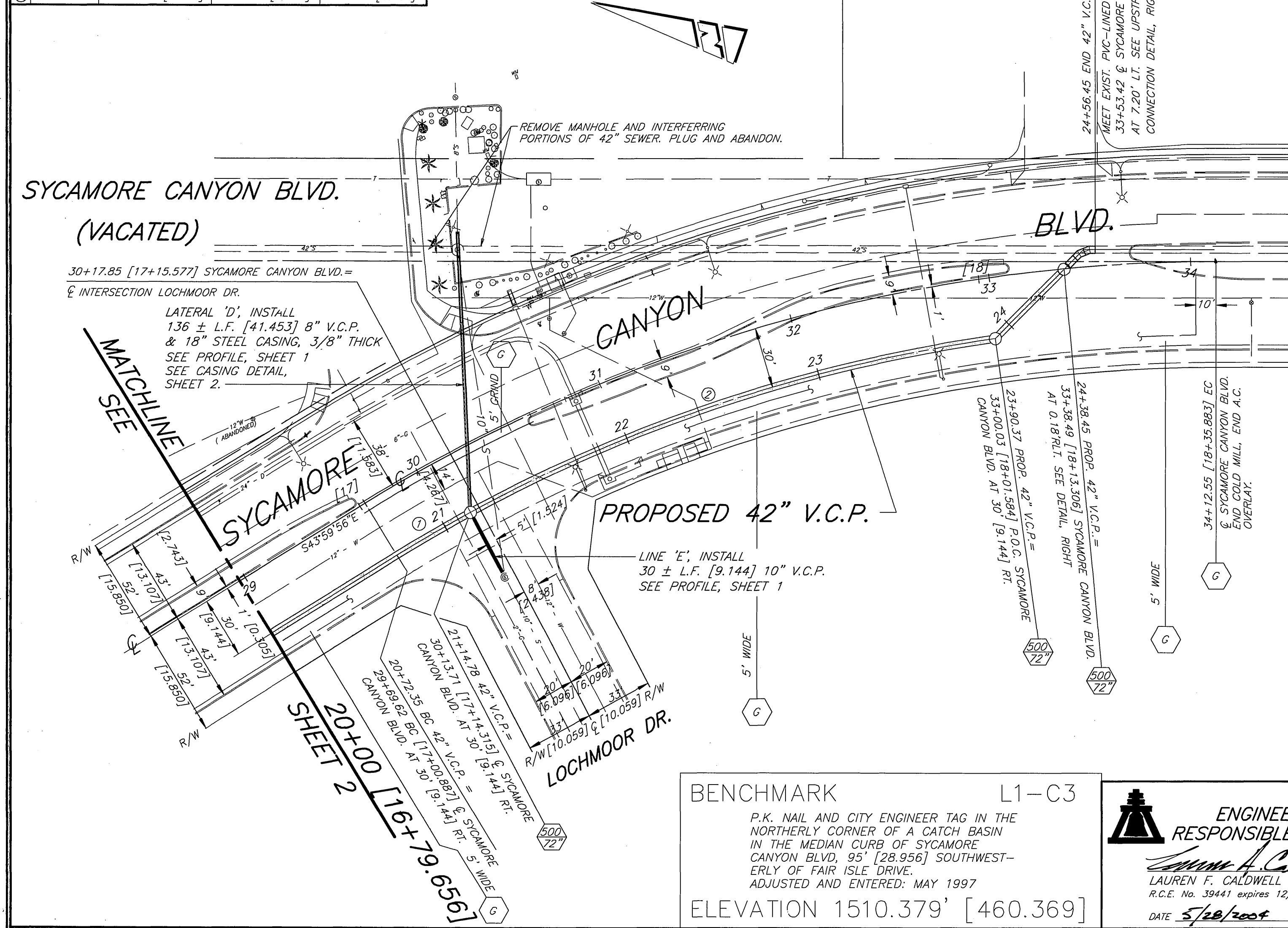
C ALL EXPOSED INTERIOR SURFACES OF MANHOLE BASE, RINGS, FRAME AND COVER TO BE COATED WITH SANCON 100 EPOXY PRIMER/POLYURETHANE TOP COAT SYSTEM PER MANUFACTURER'S RECOMMENDATIONS, OR CITY APPROVED EQUAL.

V ALL EXPOSED INTERIOR SURFACES OF MANHOLE SHAFT TO BE LINED WITH "T-LOCK AMER PLATE" (WHITE) AS MANUFACTURED BY AMERON PROTECTIVE COATING DIVISION OR CITY APPROVED EQUAL.



CURVE DATA

DELTA	RADIUS	LENGTH	TANGENT
3°09'27"	770.00' [234.699]	42.43' [12.933]	21.22' [6.468]
20°30'16"	770.00' [234.699]	275.56' [83.992]	139.27' [42.450]
47°47'15"	11.75' [1.588]	9.80' [2.987]	5.21' [1.588]
45°03'09"	11.75' [1.588]	9.24' [2.816]	4.87' [1.484]



BENCHMARK L1-C3
 ELEVATION 1510.379' [460.369]

ENGINEER IN RESPONSIBLE CHARGE
 LAUREN F. CALDWELL
 R.C.E. No. 39441 expires 12/31/05
 DATE 5/28/2007

CITY OF RIVERSIDE, CALIFORNIA
 PUBLIC WORKS DEPARTMENT

APPROVED BY: [Signature]
 DATE: 5/28/07

SYCAMORE CANYON BLVD.
 TRUNK SEWER REALIGNMENT
 FROM 165' [50.29] N'LY OF FAIR ISLE DR.
 TO 440' [134.11] S'LY OF LOCHMOOR DR.

ACCT. NO. 9762423203-14030109
 SHEET 3 OF 3