

GENERAL CONSTRUCTION NOTES:

- 1 EXISTING UTILITIES SHOWN ON THE PLAN, ARE PLOTTED FROM UTILITY RECORDS. THE CONTRACTOR IS REQUIRED TO TAKE DUE PRECAUTIONARY MEASURES TO LOCATE AND PROTECT ALL UTILITIES WHETHER OR NOT SHOWN ON THIS PLAN.
- 2 PRIME CONTRACTORS BIDDING THIS WORK SHALL HAVE A CLASS "A", "C-34", OR A "C-42" LICENSE.
- 3 ALL ELEVATIONS SHOWN ON THE PLANS SHALL BE STAKED IN THE FIELD.
- 4 PRIOR TO THE ISSUANCE OF GRADE SHEETS, ALL POTENTIALLY CONFLICTING UTILITIES AND THE MEET POINT OF THE SEWERS SHALL BE EXPOSED AND SURVEYED FOR PRECISE LOCATION AND ELEVATION BY CITY SURVEYORS.
- 5 CONSTRUCTION SHALL BE IN ACCORDANCE WITH THE CITY OF RIVERSIDE STANDARD DRAWINGS AND STANDARD SPECIFICATIONS FOR PUBLIC WORKS CONSTRUCTION, 2003 EDITION.
- 6 PIPE JOINTS FOR VITRIFIED CLAY PIPE SHALL BE TYPE "G" AS SPECIFIED IN SECTION 208-2.3 OF THE STANDARD SPECIFICATIONS OR AS SHOWN ON THE PLAN.
- 7 NUMBERS IN BRACKETS [] ARE IN METERS UNLESS UNITS ARE OTHERWISE SHOWN.

CONSTRUCTION LEGEND:

- NUMBERS ABOVE 100 IN A HEXAGON ON THE PLAN REFER TO THE RESPECTIVE STANDARD DRAWING AND SHALL BE CONSTRUCTED ACCORDINGLY, UNLESS MODIFICATIONS ARE NOTED ON THE PLAN. ANY NUMBER SHOWN BELOW THE STANDARD DRAWING NUMBER INDICATES THE SPECIFIC ALTERNATE TO BE CONSTRUCTED.
- R REMOVE ENTIRE MANHOLE, INCLUDING BASE AND ABANDON ADJACENT CONDUITS.
- A ABANDON MANHOLE AND ADJACENT CONDUITS. THERE ARE SIX (6) MANHOLES TO BE ABANDONED WITH THIS PROJECT. TWO (2) ARE LOCATED OUT SIDE THE LIMITS OF PLAN SHEET 2 BUT ARE WITHIN THE LIMITS OF THE VACATED PORTION OF SYCAMORE CANYON BLVD.

RIVERSIDE CALIFORNIA



PUBLIC WORKS DEPARTMENT

LATERAL REPLACEMENT FOR SYCAMORE CANYON BLVD. TRUNK SEWER REALIGNMENT

EXISTING UNDERGROUND & TOPOGRAPHY LEGEND

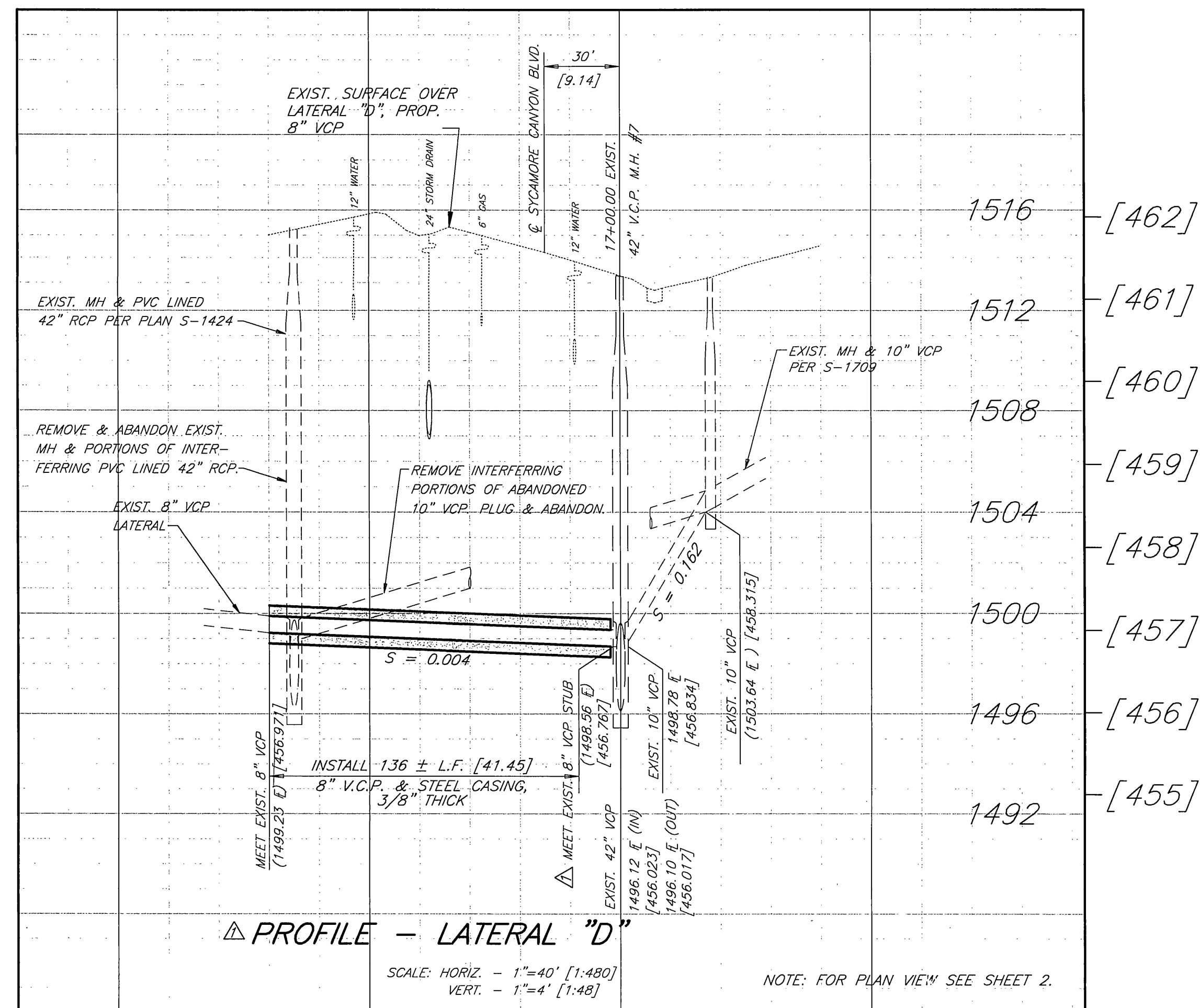
EXISTING UNDERGROUND UTILITIES:

- SANITARY SEWER 8" S
- WATER LINE 6" W
- STORM DRAIN 24" SD
- GAS LINE 3" G
- ABANDONED UTILITY 6" G (ABAN'D.)
- TELEPHONE CONDUIT
- ELECTRICAL CONDUIT
- ELECTROLIER LIGHTING CONDUIT
- TRAFFIC SIGNAL
- FIRE ALARM

EXISTING TOPOGRAPHY:

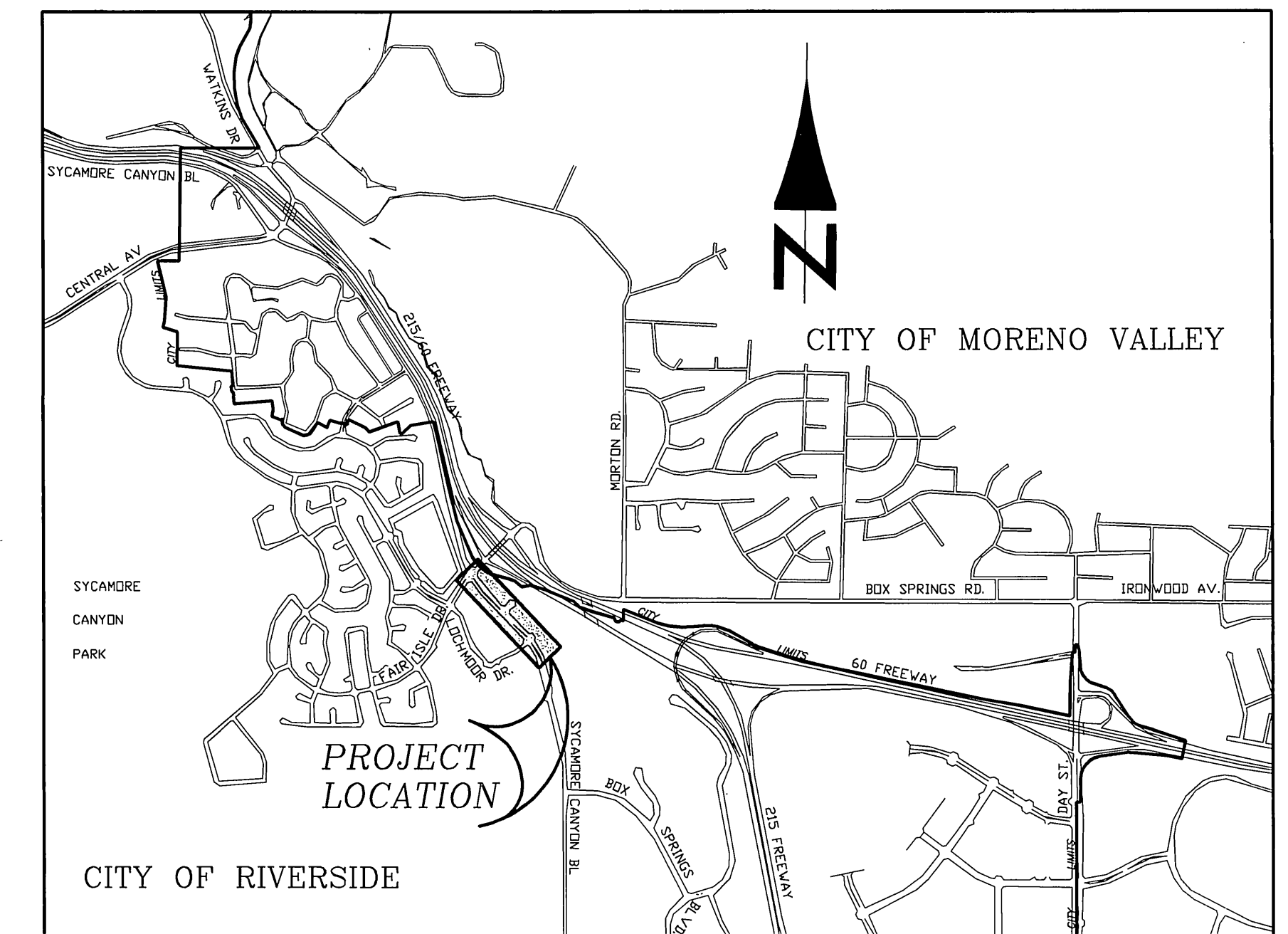
- BLOCK WALL
- BOARD FENCE
- WIRE FENCE
- CHAIN LINK FENCE
- TOP OF SLOPE
- TOE OF SLOPE
- DIRECTION OF FLOW

- SANITARY SEWER M.H.
- SANITARY SEWER CLEANOUT
- STORM DRAIN M.H.
- IRRIGATION WEIR
- WATER M.H.
- GAS M.H.
- ELECTRIC M.H.
- TELEPHONE M.H.
- WATER METER
- FIRE HYDRANT
- SPRINKLER HEAD
- VALVE
- AIR VALVE
- AIR VENT
- BUS STOP SIGN
- BLOW-OFF VALVE
- IRRIGATION STAND PIPE
- POLE & GUY ANCHOR
- POWER POLE
- TELEPHONE POLE
- TELEPHONE RISER
- JOINT USE POLE
- PULL BOX
- TRAFFIC SIGN
- PARKING METER
- FIRE ALARM BOX
- STREET NAME SIGN
- GAS METER
- MAIL BOX
- FAUCET
- WALK-DON'T WALK PEDESTRIAN SIGNAL
- ELECTRICAL TEST STATION
- WHEEL STOP
- A.C. BERM
- PEDESTRIAN PUSH BUTTON
- RAILROAD TRACKS
- RAILROAD SIGNAL
- RAILROAD SIGNAL
- TRAFFIC SIGNAL
- TRAFFIC SIGNAL ON MAST ARM
- TRAFFIC SIGNAL CONTROLLER
- TRAFFIC SIGNAL PRESSURE DETECTOR
- TRAFFIC SIGNAL LOOP DETECTOR
- STREET LIGHT & TRAFFIC SIGNAL ON MAST ARM
- STREET LIGHT (UPRIGHT)
- STREET LIGHT ON MAST ARM
- STEEL POST
- WOOD POST



BENCHMARK L1-C3
ELEVATION 1510.379' [460.369]



IMPORTANT NOTICE
Section 4216/4217 of the Government Code requires a Dig Alert Identification Number to be issued before a "Permit to Excavate" will be valid. For your "Dig Alert" I.D. Number call Underground Service Alert TOLL FREE 1-800-227-2600 Two working days before you dig.



PROJECT LOCATION MAP

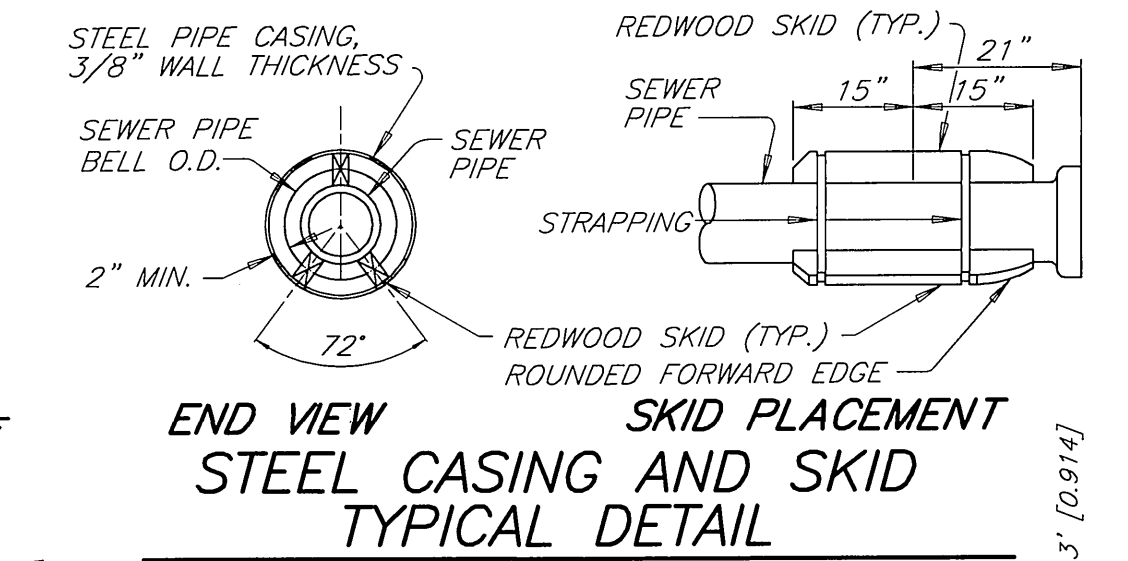
NO SCALE

SEWER RELOCATION NECESSARY DUE TO CALTRANS PROJECT TO WIDEN THE 60/215 FREEWAY.

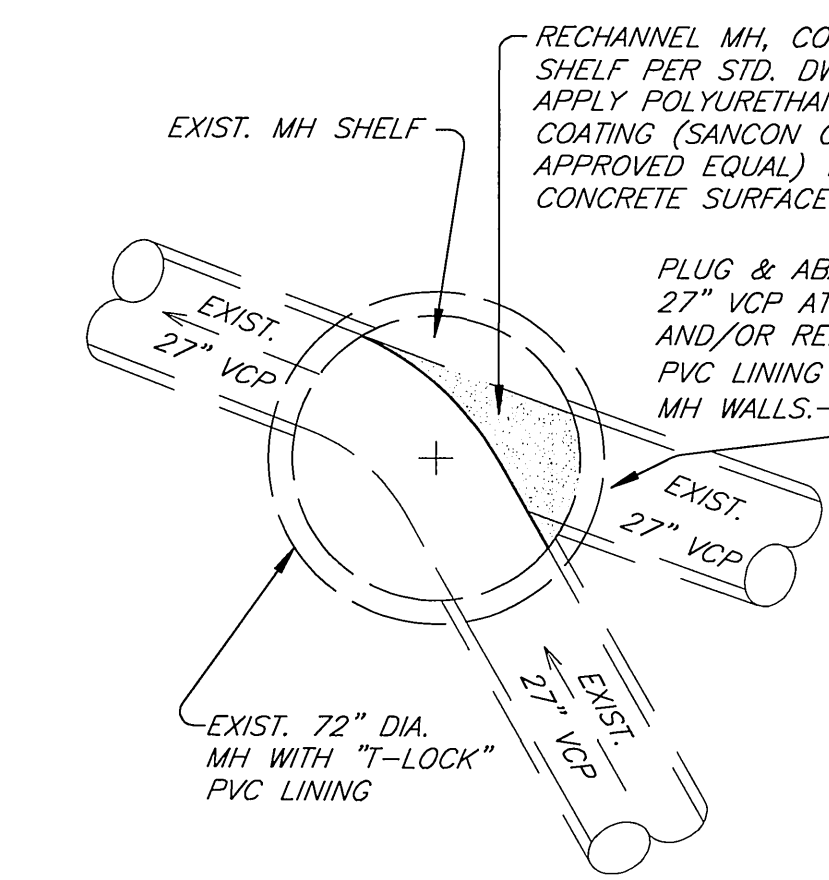
 <p>ENGINEER IN RESPONSIBLE CHARGE LAUREN F. CALDWELL R.G.E. No. 39441 expires 12/31/05 DATE 2/10/05</p>	 <p>REGISTERED PROFESSIONAL ENGINEER LAUREN F. CALDWELL No. 39441 Exp. 12-31-2005 CIVIL STATE OF CALIFORNIA</p>	REVISIONS PER ADDENDUM NO. 1 1/10/05	CITY OF RIVERSIDE, CALIFORNIA PUBLIC WORKS DEPARTMENT	LATERAL REPLACEMENT FOR SYCAMORE CANYON BLVD. TRUNK SEWER REALIGNMENT	ACCT. NO.: 9762423203-44030109 S-1807A
		APPROVED BY: [Signature] PRINCIPAL ENGINEER CONTRACT ADMINISTRATOR SEWER DIVISION STREET SERVICES TRAFFIC DIVISION	APPROVED BY: [Signature] CITY ENGINEER	DATE: 2/10/05	SCALE: AS SHOWN

NOTES

- SKIDS SHALL BE REDWOOD, 30" LONG, 2" WIDE AND OF SUFFICIENT HEIGHT TO PROVIDE A MINIMUM 2" CLEARANCE BETWEEN INVERT OF CASING AND BELL OF SEWER PIPE. ALL SKIDS SHALL BE OF EQUAL DIMENSIONS AND POSITIONED UNIFORMLY.
- ALL STEEL CASING PIPE FIELD JOINTS SHALL BE WELDED WITH A CONTINUOUS CIRCUMFERENTIAL WELD.
- CARRIER PIPE SHALL BE AIR TESTED PRIOR TO SLURRY BACK FILLING AND SEALING CASING.
- VOID BETWEEN CASING AND CARRIER PIPE SHALL BE FILLED WITH A ONE SACK P.C.C. SLURRY MIX.
- UPSTREAM AND DOWNSTREAM ELEVATIONS TO BE VERIFIED PRIOR TO SEALING CASING.
- ENDS OF CASING TO BE SEALED WITH MORTAR. PLACE 1" DIAMETER (MIN.) PVC PIPE AT INVERT OF CASING (THROUGH MORTAR) AND SURROUND WITH 2 CUBIC FEET CRUSHED ROCK.

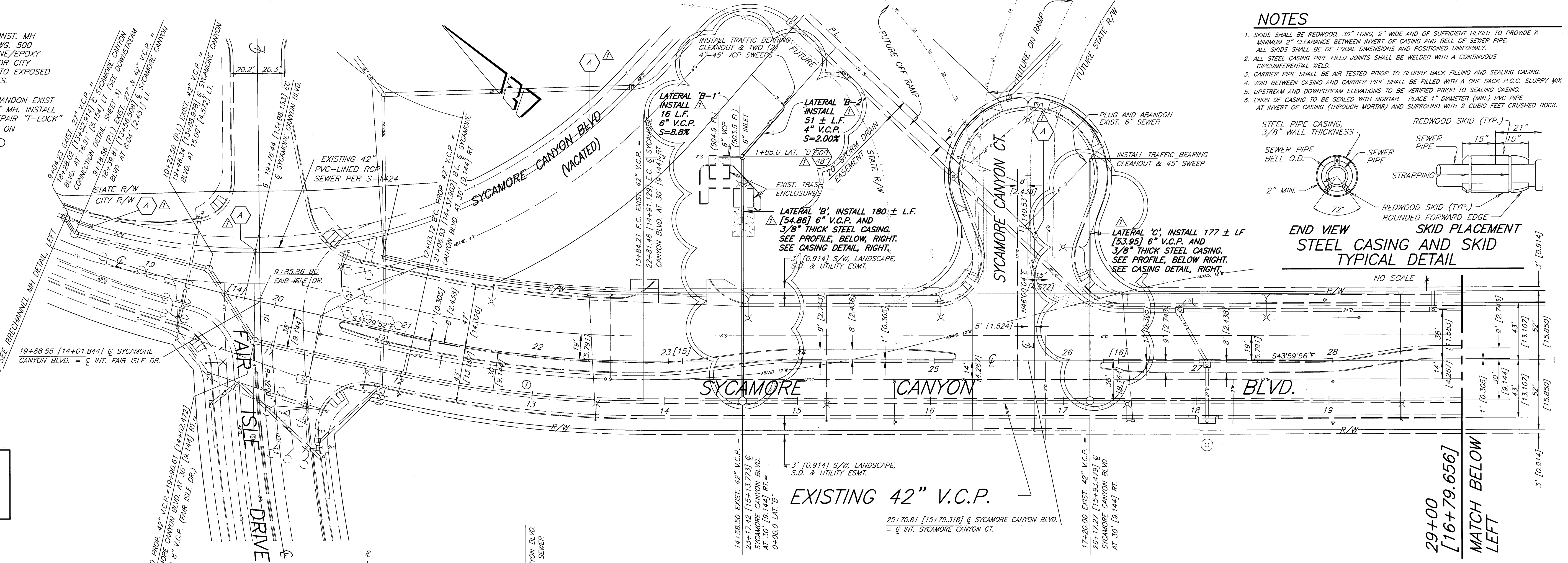


**END VIEW
STEEL CASING AND SKID
TYPICAL DETAIL**

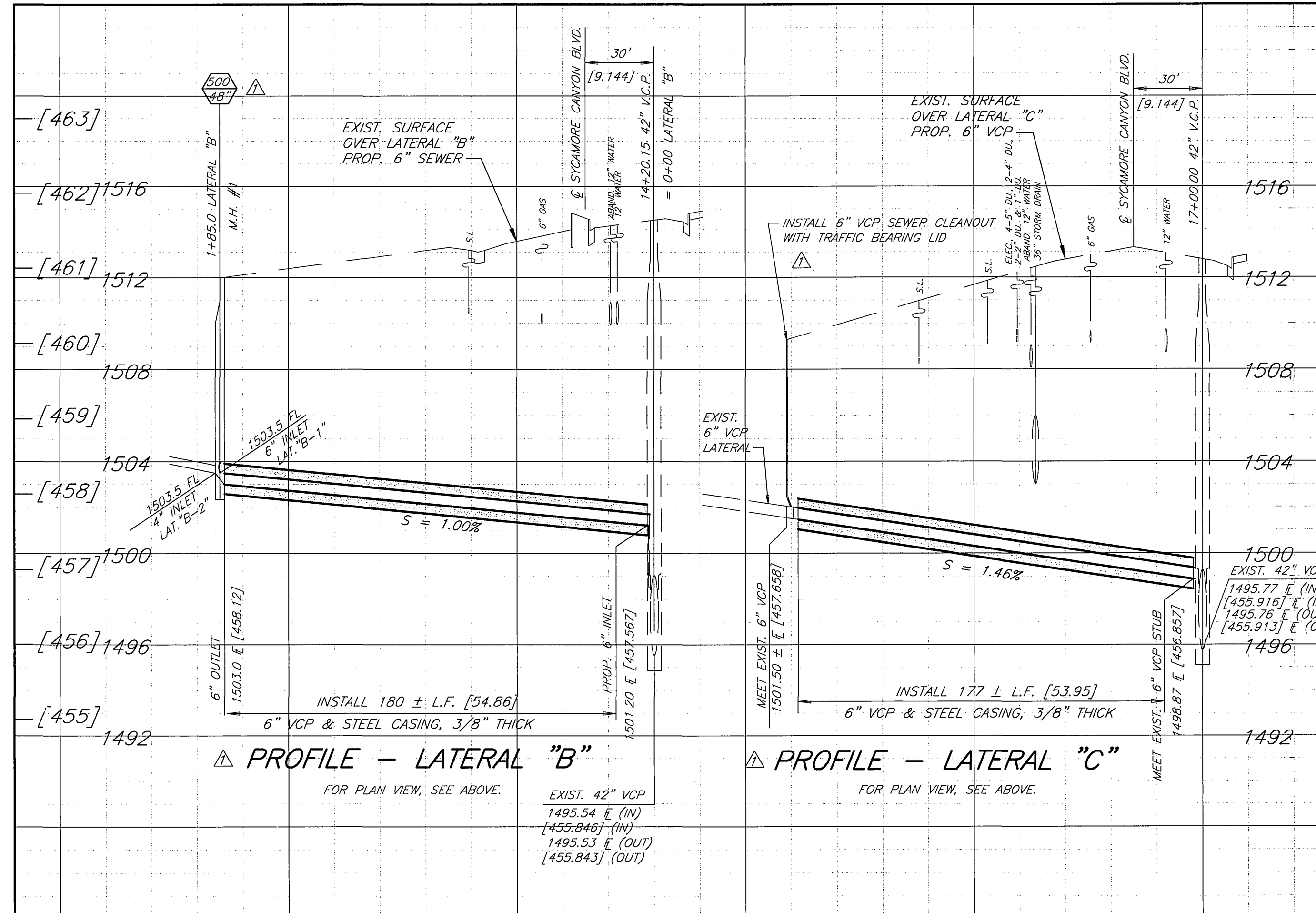
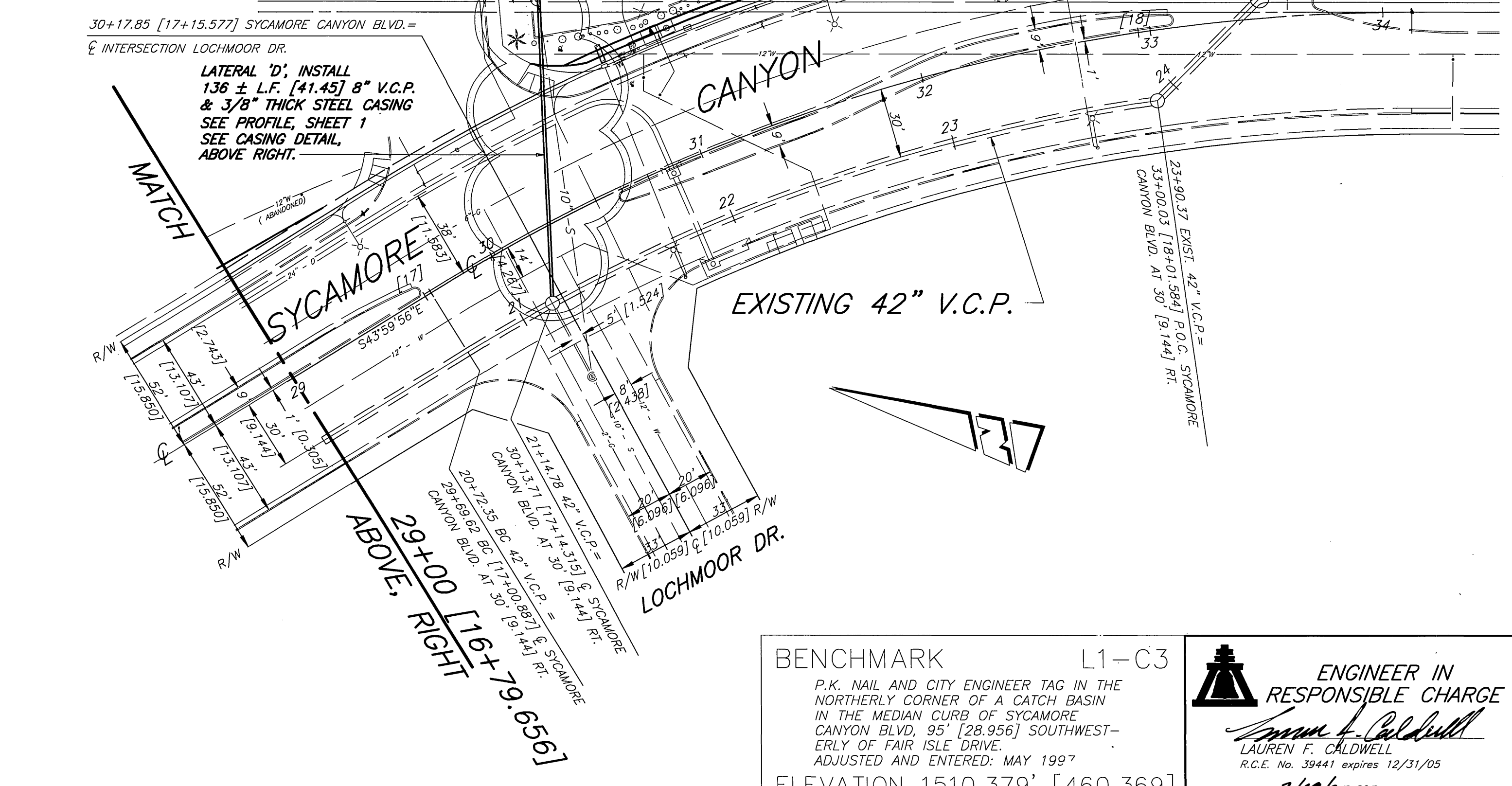


**RECHANNEL MH DETAIL
NO SCALE**

NOTE: THE BASIS FOR METRIC STATIONING ON THE CENTERLINE OF SYCAMORE CANYON BLVD. IS THE END OF CURVE STA. LOCATED 88.189 METERS NW OF THE CENTERLINE INTERSECTIONS OF SYCAMORE CANYON BLVD. AND SYCAMORE CANYON CT. BEING STA. 14+91.129 PER CALTRANS LAYOUT PLAN L-42.



**SYCAMORE CANYON BLVD.
(VACATED)**



BENCHMARK L1-C3
P.K. NAIL AND CITY ENGINEER TAG IN THE NORTHERLY CORNER OF A CATCH BASIN IN THE MEDIAN CURB OF SYCAMORE CANYON BLVD, 95' (28.956) SOUTHWEST-ERLY OF FAIR ISLE DRIVE. ADJUSTED AND ENTERED: MAY 1997
ELEVATION 1510.379' [460.369]

ENGINEER IN RESPONSIBLE CHARGE
Lauren F. Caldwell
LAUREN F. CALDWELL
R.C.E. No. 39441 expires 12/31/05
DATE 2/10/2005

REVISIONS PER ADDENDUM NO. 1	
MARK	REVISIONS
DESIGNED BY	DRAWN BY
CHECKED BY	

**CITY OF RIVERSIDE, CALIFORNIA
PUBLIC WORKS DEPARTMENT**
APPROVED BY: *[Signature]*
DATE: 2/10/05
CITY ENGINEER

**LATERAL REPLACEMENT FOR
SYCAMORE CANYON BLVD.
TRUNK SEWER REALIGNMENT**
HORIZ. SCALE: 1" = 40'
VERT. SCALE: 1" = 4'

ACCT. NO. 9762423203-44030109
S-1807A
SHEET 2 OF 2