

**CITY OF**  
**RIVERSIDE, CALIFORNIA**  
**VAN BUREN**  
**RELIEF**  
**SANITARY TRUNK SEWER**  
**1959**

MAYOR

EDWARD V. DALES

COUNCIL MEMBERS

JOHN H. BACKSTRAND  
WILLIAM H. BONNETT  
NANCY C. O'NEILL

JOHN B. BERGIN  
CHARLES H. JOHNSON  
ORVILLE G. SANSONE

ULRICH L. VORIS

CITY MANAGER

H. K. HUNTER

DIRECTOR OF PUBLIC WORKS  
AND CITY ENGINEER

JAMES F. MARTINEK

ASST. CITY ENGINEER  
FRANK F. LEFEBER

CITY ATTORNEY  
LEO DEEGAN

JOHN A. CAROLLO  
CONSULTING ENGINEERS  
PHOENIX, ARIZONA      BERKELEY, CALIF.



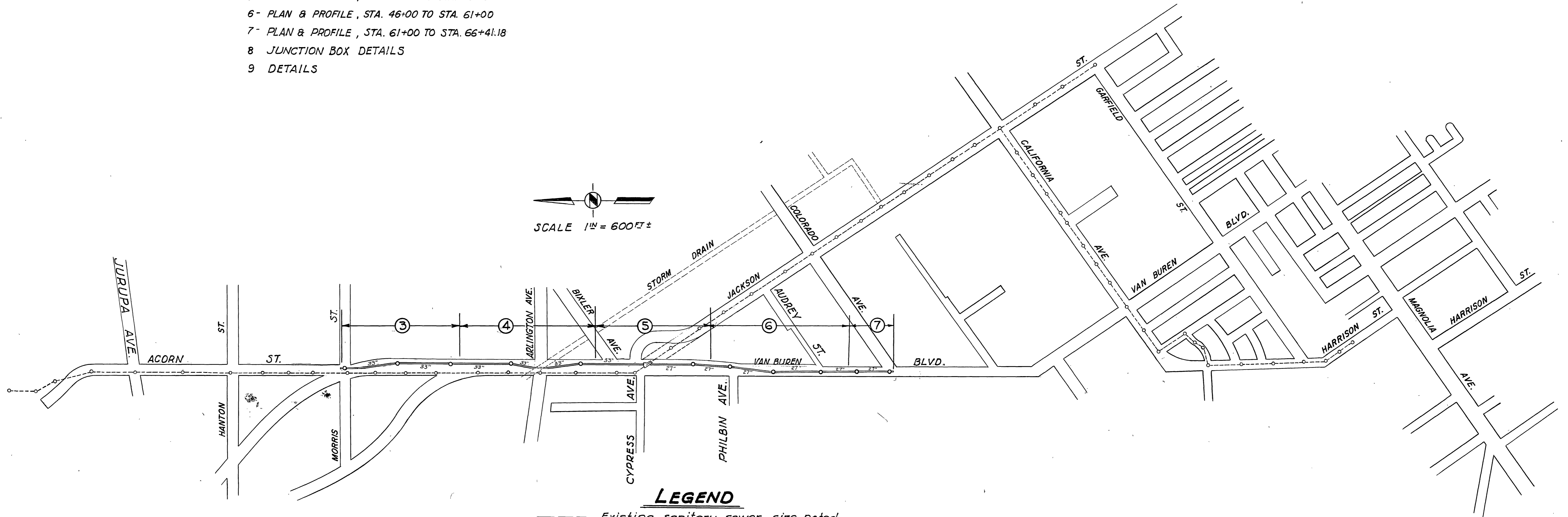
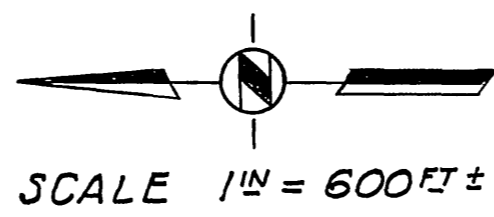
S-181

SHEET 1 OF 9

5039-B-1096

**INDEX**

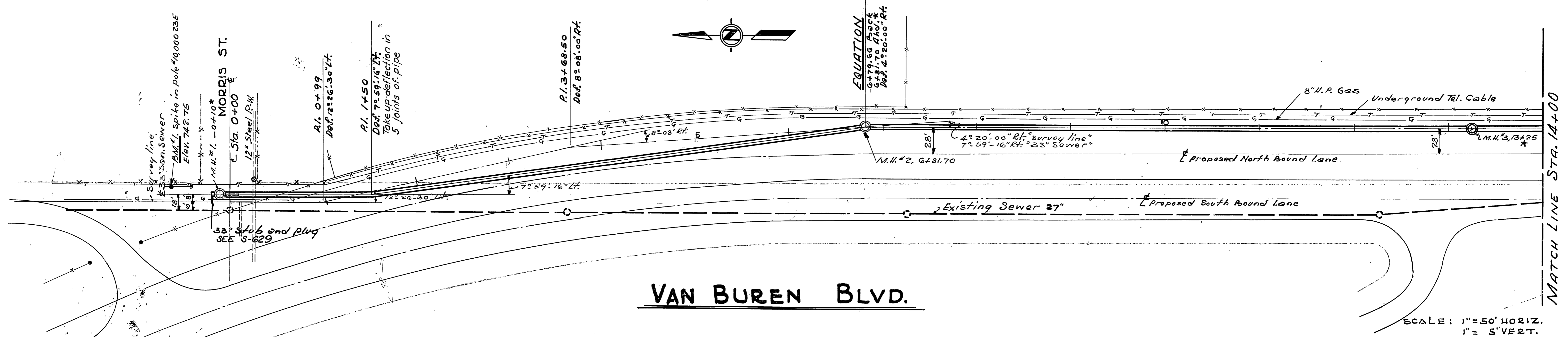
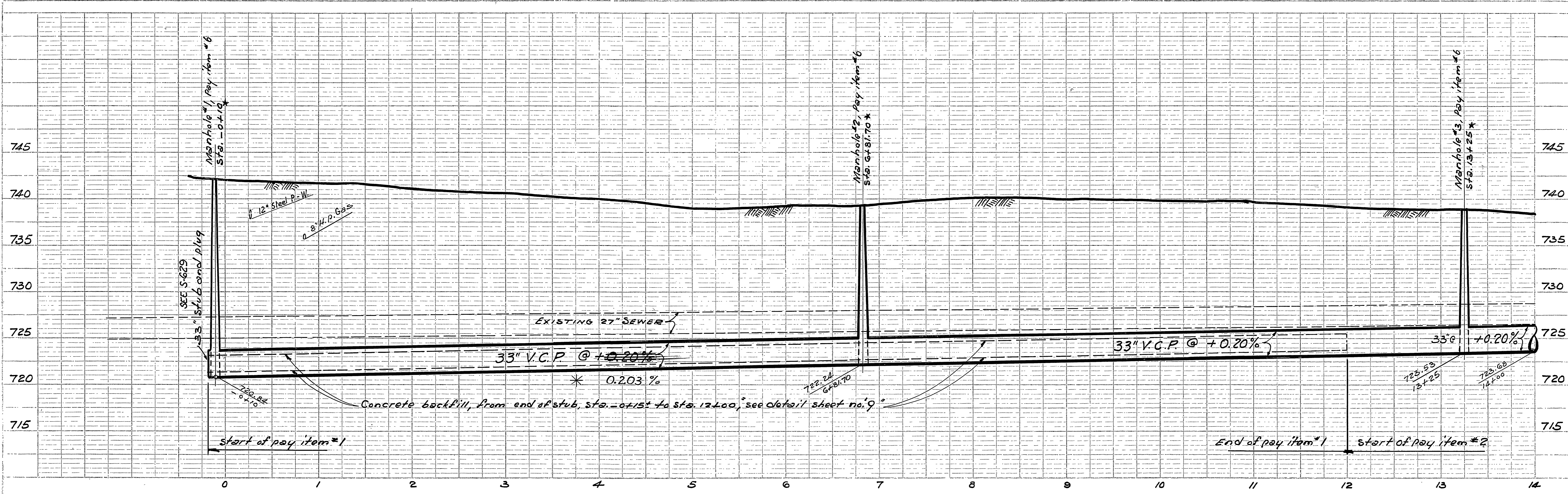
- 1- TITLE SHEET
- 2- KEY MAP
- 3- PLAN & PROFILE, STA. 0+00 TO STA. 14+00
- 4- PLAN & PROFILE, STA. 14+00 TO STA. 30+00
- 5- PLAN & PROFILE, STA. 30+00 TO STA. 46+00
- 6- PLAN & PROFILE, STA. 46+00 TO STA. 61+00
- 7- PLAN & PROFILE, STA. 61+00 TO STA. 66+41.18
- 8- JUNCTION BOX DETAILS
- 9- DETAILS



**LEGEND**

- Existing sanitary sewer, size noted.
- Existing manhole on sanitary sewer.
- Property line or easement line.
- Center line or survey line.
- x-x- Fence line.
- T-T- Telephone underground cable.
- G-G- Gas line.
- Proposed sanitary trunk sewer.
- Standard manhole on proposed san. trunk sewer.
- Offset manhole on proposed san. trunk sewer.
- Ground profile.
- Pavement.
- Pole.
- Down guy.
- Ditch.
- Irrigation pipe and box.

REVISIONS			JOHN A. CAROLLO CONSULTING ENGINEERS PHOENIX, ARIZONA CITY OF RIVERSIDE, CALIFORNIA DEPARTMENT OF PUBLIC WORKS
MARK	DATE	DESCRIPTION	
			<b>VAN BUREN RELIEF                  SANITARY TRUNK SEWER                  KEY MAP</b>
DESIGNED BY:	G.C.W.	CHECKED BY:	
DRAWN BY:	L.H.	APPROVED BY:	<i>[Signature]</i>
RECOMMENDED BY:	<i>[Signature]</i>	DIRECTOR OF PUBLIC WORKS	<b>S-181</b> SHEET 2 OF 9
ASSISTANT CITY ENGINEER	DATE:	July 6, 1959	



**VAN BUREN BLVD.**

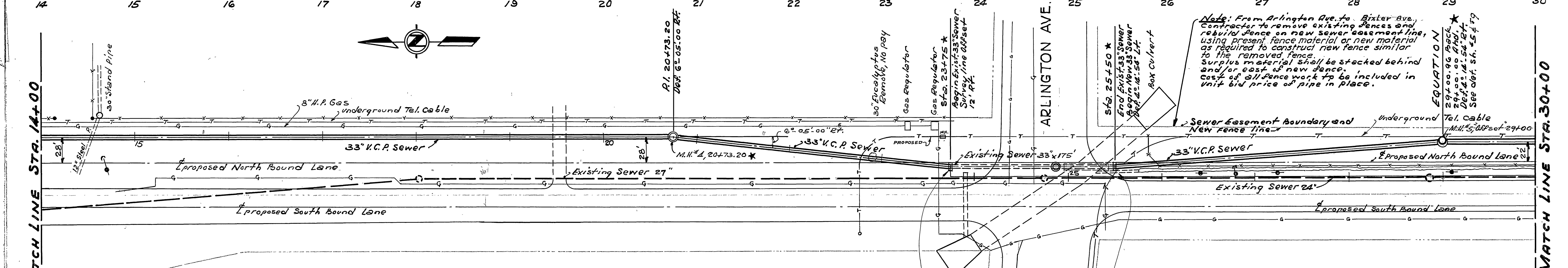
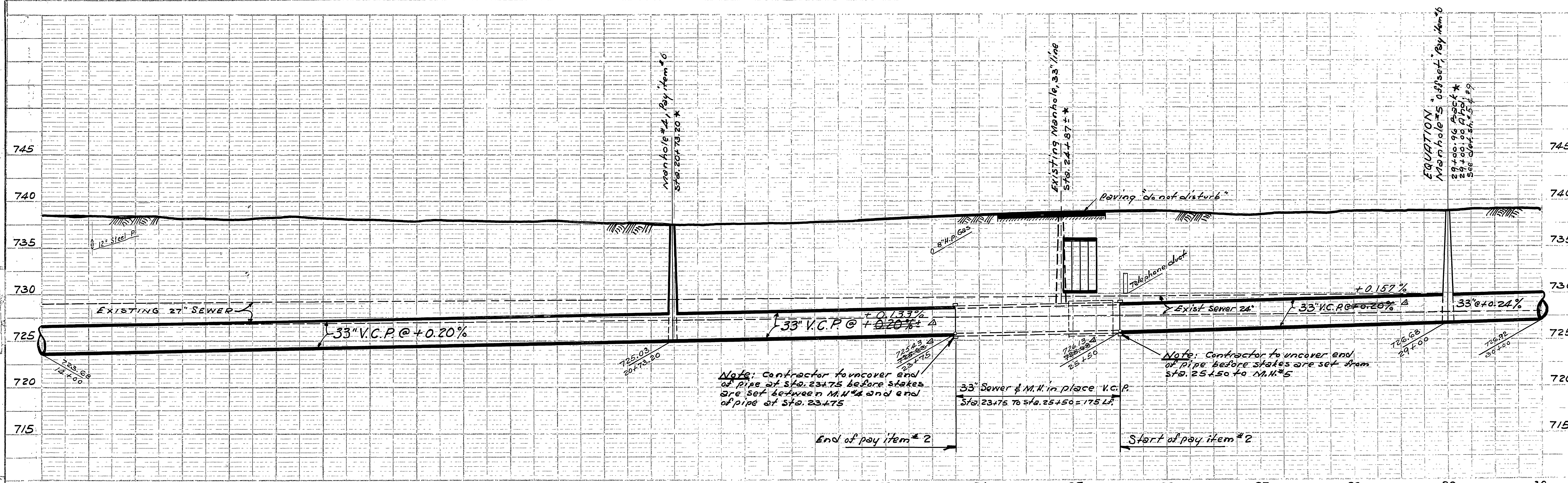
**NOTE:**  
 1. Contractor shall notify Telephone Co., Gas Co., and other utilities involved, before starting work on this project

SCALE: 1" = 50' HORIZ.  
 1" = 5' VERT.

REVISIONS			JOHN A. CAROLLO CONSULTING ENGINEERS PHOENIX, ARIZONA CITY OF RIVERSIDE, CALIFORNIA DEPARTMENT OF PUBLIC WORKS
MARK	DATE	DESCRIPTION	
*	8-24-59	Changed slope	<b>VAN BUREN RELIEF          SANITARY TRUNK SEWER          PLAN &amp; PROFILE          STA-0+10 TO STA. 14+00</b>
*	12-29-59	As Built, H&B	
DESIGNED BY: G.C.W.		CHECKED BY: G.C.W.	APPROVED BY: <i>[Signature]</i>
DRAWN BY: J.C.		RECOMMENDED BY: <i>[Signature]</i> ASSISTANT CITY ENGINEER	DIRECTOR OF PUBLIC WORKS DATE: July 6, 1959

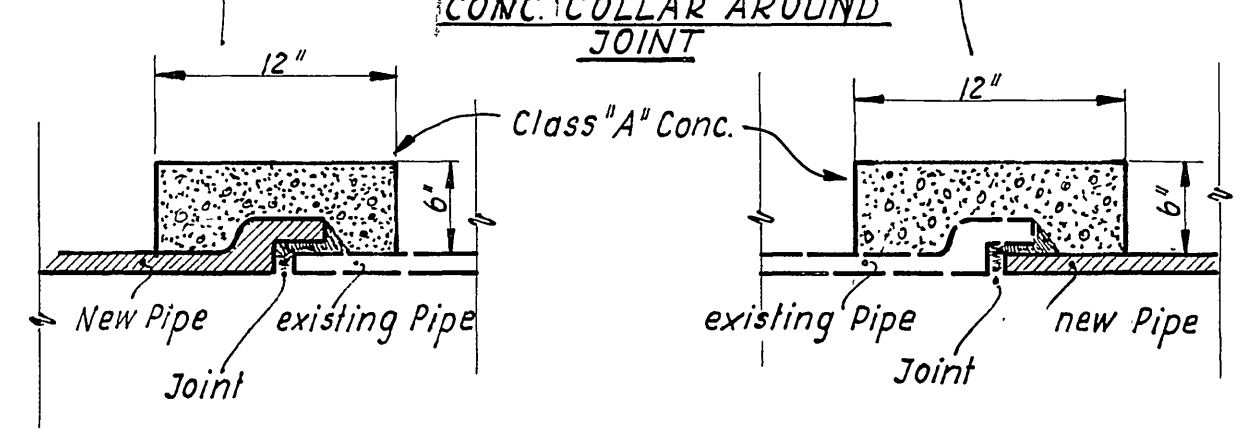
**S-181**

SHEET 3 OF 9  
 5037-B-1096

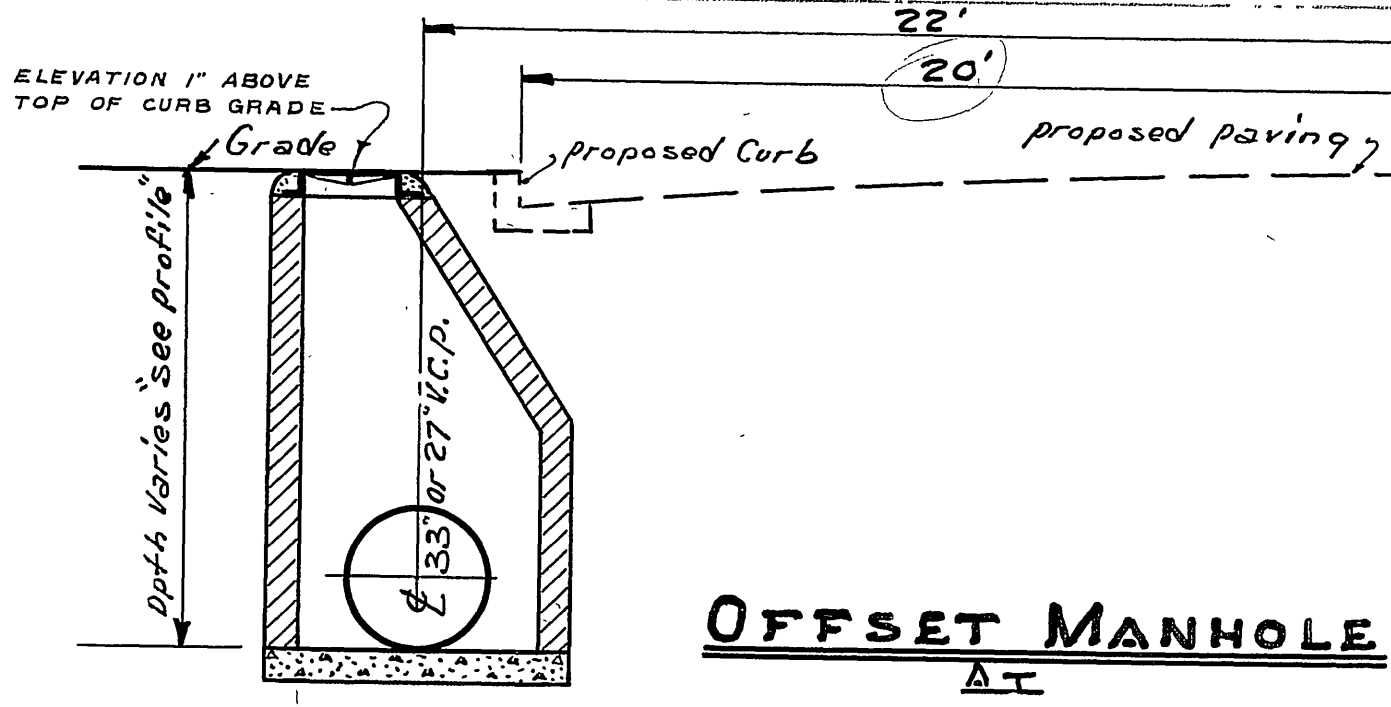
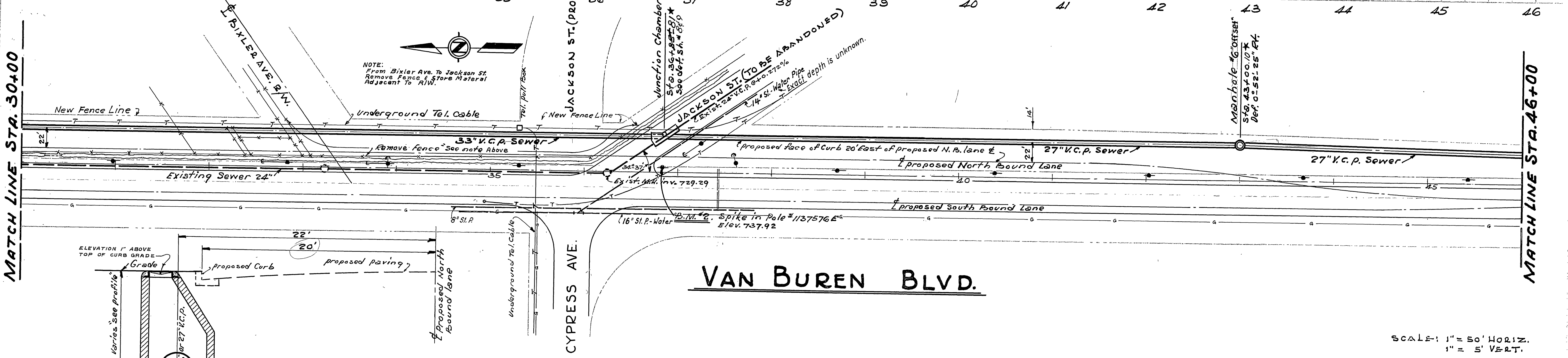
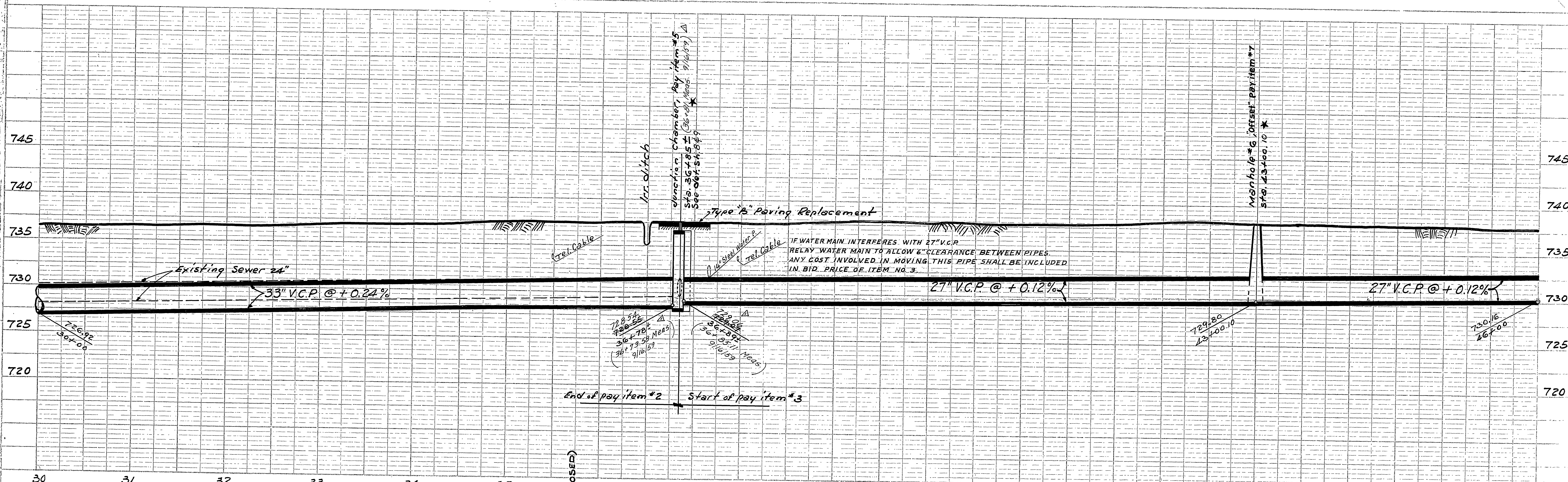


**VAN BUREN BLVD.**

SCALE: 1" = 50' HORIZ.  
1" = 5' VERT.

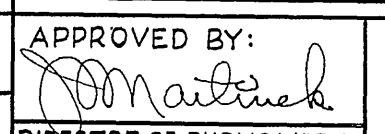
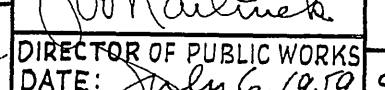


REVISIONS			JOHN A. CAROLLO CONSULTING ENGINEERS PHOENIX, ARIZONA CITY OF RIVERSIDE, CALIFORNIA DEPARTMENT OF PUBLIC WORKS
MARK	DATE	DESCRIPTION	
Δ	9/14/59	CHANGED ELEV'S & GRADES L.P.	<b>VAN BUREN RELIEF          SANITARY TRUNK SEWER          PLAN &amp; PROFILE          STA. 14+00 TO STA. 30+00</b>
*	12-29-59	AS BUILT, M.H.#4	
DESIGNED BY: G.C.W. CHECKED BY: G.C.W. DRAWN BY: J.C.			APPROVED BY:  DIRECTOR OF PUBLIC WORKS DATE: July 6, 1959
RECOMMENDED BY: ASSISTANT CITY ENGINEER			<b>S-181</b> SHEET 4 OF 9 5036-B-1096



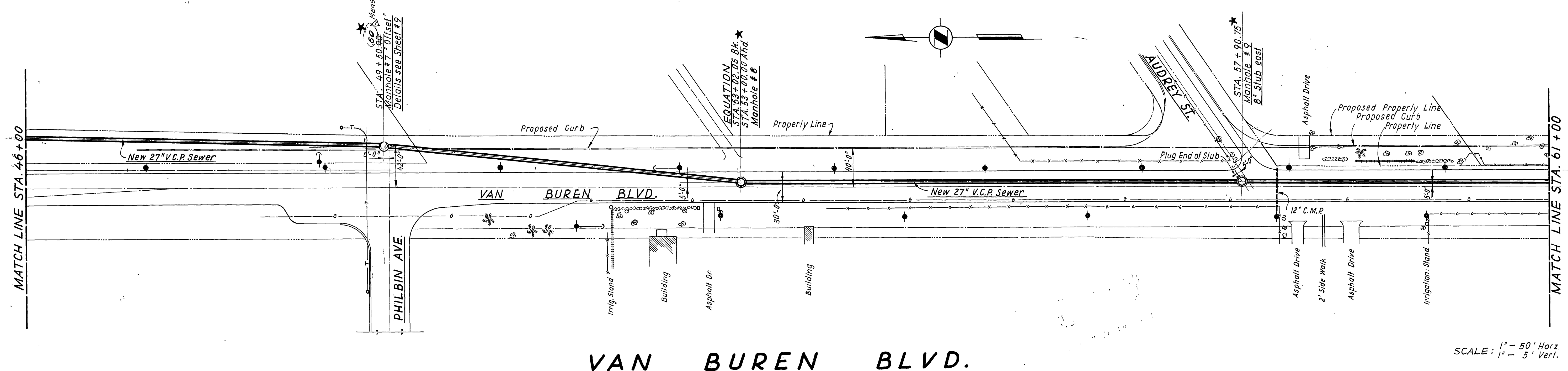
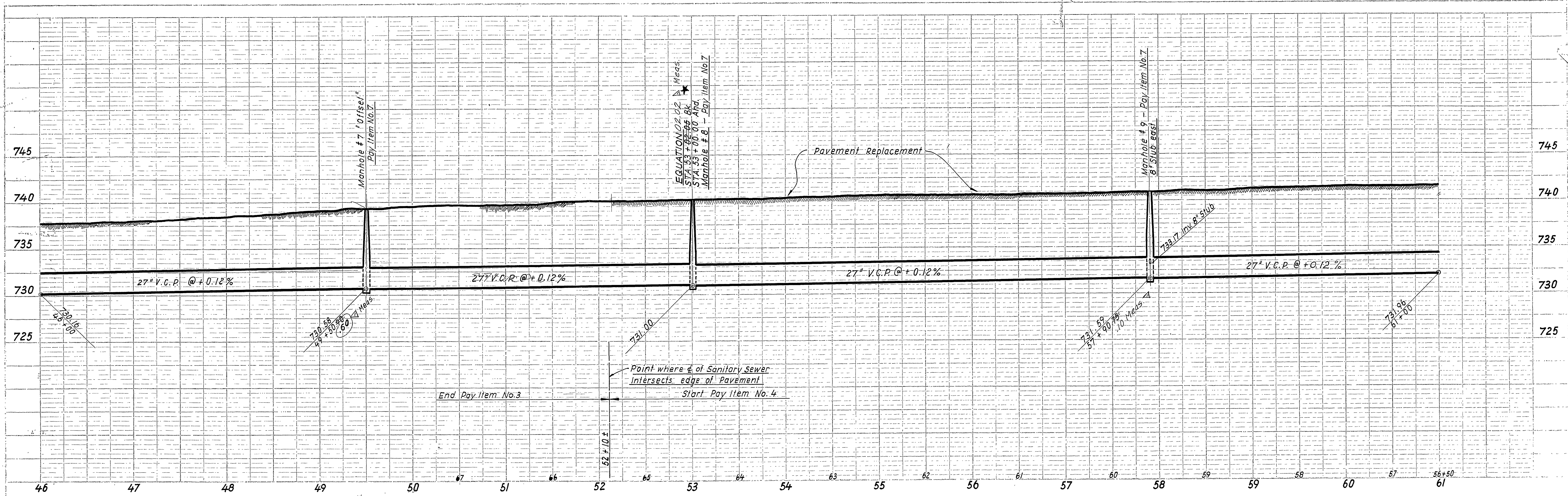
# VAN BUREN BLVD.

SCALE: 1" = 50' HORIZ.  
1" = 5' VERT.

REVISIONS			JOHN A. CAROLLO CONSULTING ENGINEERS PHOENIX, ARIZONA CITY OF RIVERSIDE, CALIFORNIA DEPARTMENT OF PUBLIC WORKS
MARK	DATE	DESCRIPTION	
Δ	9/17/59	Show Meas. Sta.'s & Changed Elev.'s to Agree. 9/17/59 List As Built, H.Ball	VAN BUREN RELIEF SANITARY TRUNK SEWER PLAN & PROFILE STA 30+00 TO STA 46+00
*	12/29/59		
DESIGNED BY: G.C.W.    CHECKED BY: G.C.W. DRAWN BY: J.C.			APPROVED BY:  DIRECTOR OF PUBLIC WORKS
RECOMMENDED BY:  ASSISTANT CITY ENGINEER			DATE: July 6, 1959 SHEET 5 OF 9 5035-B-1096

MATCH LINE STA. 30+00

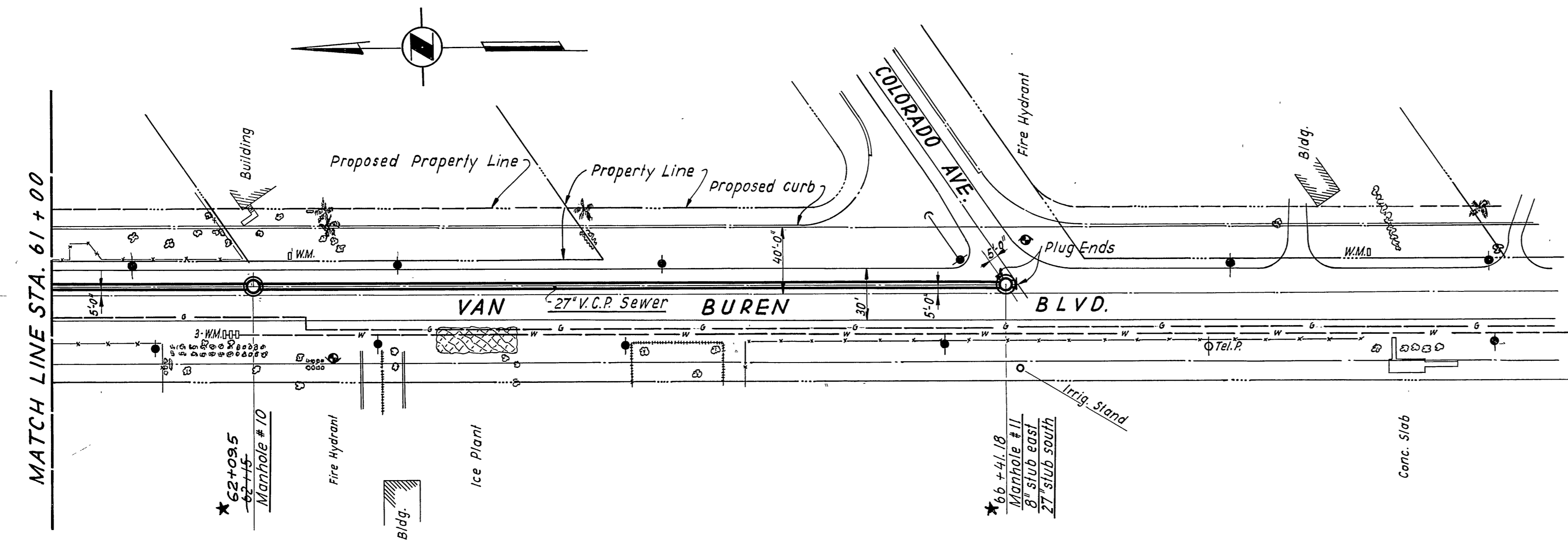
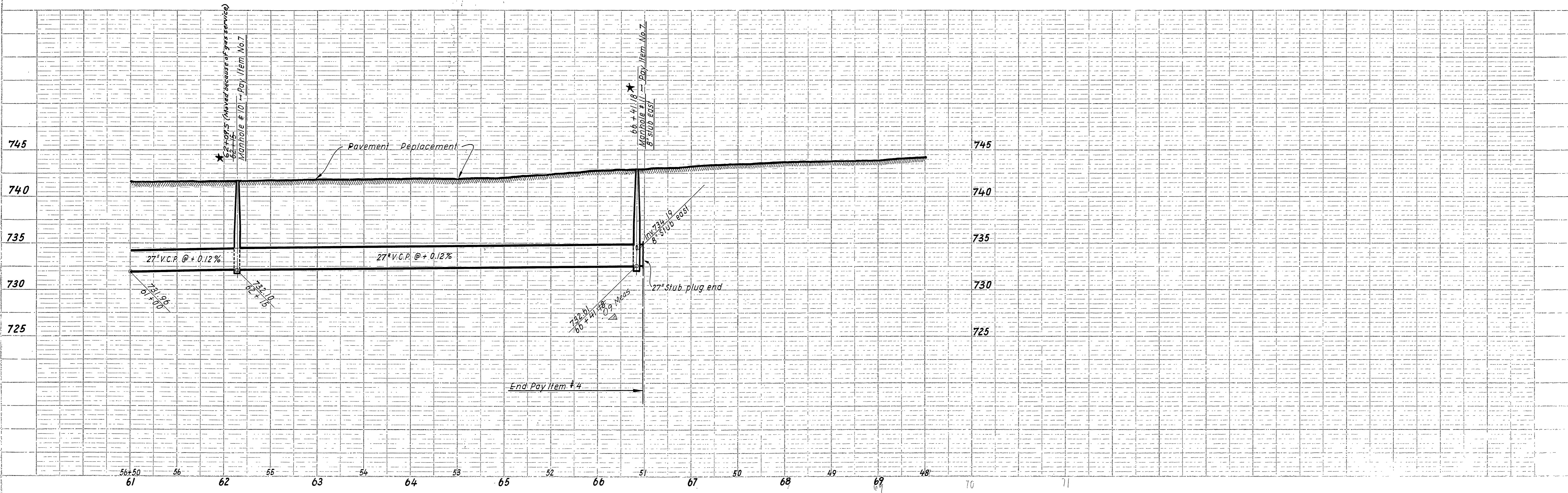
MATCH LINE STA. 46+00



**VAN BUREN BLVD.**

SCALE: 1" = 50' Horz.  
1" = 5' Vert.

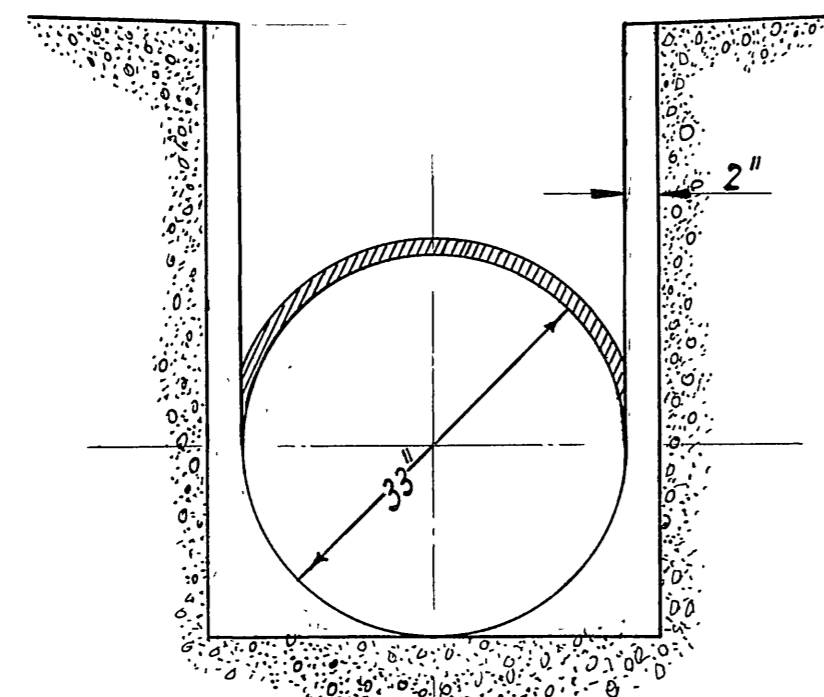
REVISIONS			JOHN A. CAROLLO CONSULTING ENGINEERS PHOENIX, ARIZONA CITY OF RIVERSIDE, CALIFORNIA DEPARTMENT OF PUBLIC WORKS
MARK	DATE	DESCRIPTION	
Δ	9/17/59	Show Meas. M.H. Sta. L.L.P.	<b>VAN BUREN RELIEF            SANITARY TRUNK SEWER            PLAN &amp; PROFILE            STA. 46+00 TO STA. 61+00</b>
*	12-29-59	As Built, H.Bull.	
DESIGNED BY: G.C.W.		CHECKED BY: G.C.W.	APPROVED BY: <i>[Signature]</i>
DRAWN BY: H.G.			<b>S-181</b>
RECOMMENDED BY: Francis F. [Signature]		ASSISTANT CITY ENGINEER	DIRECTOR OF PUBLIC WORKS
		DATE: July 6, 1959	SHEET 6 OF 9



**VAN BUREN BLVD.**

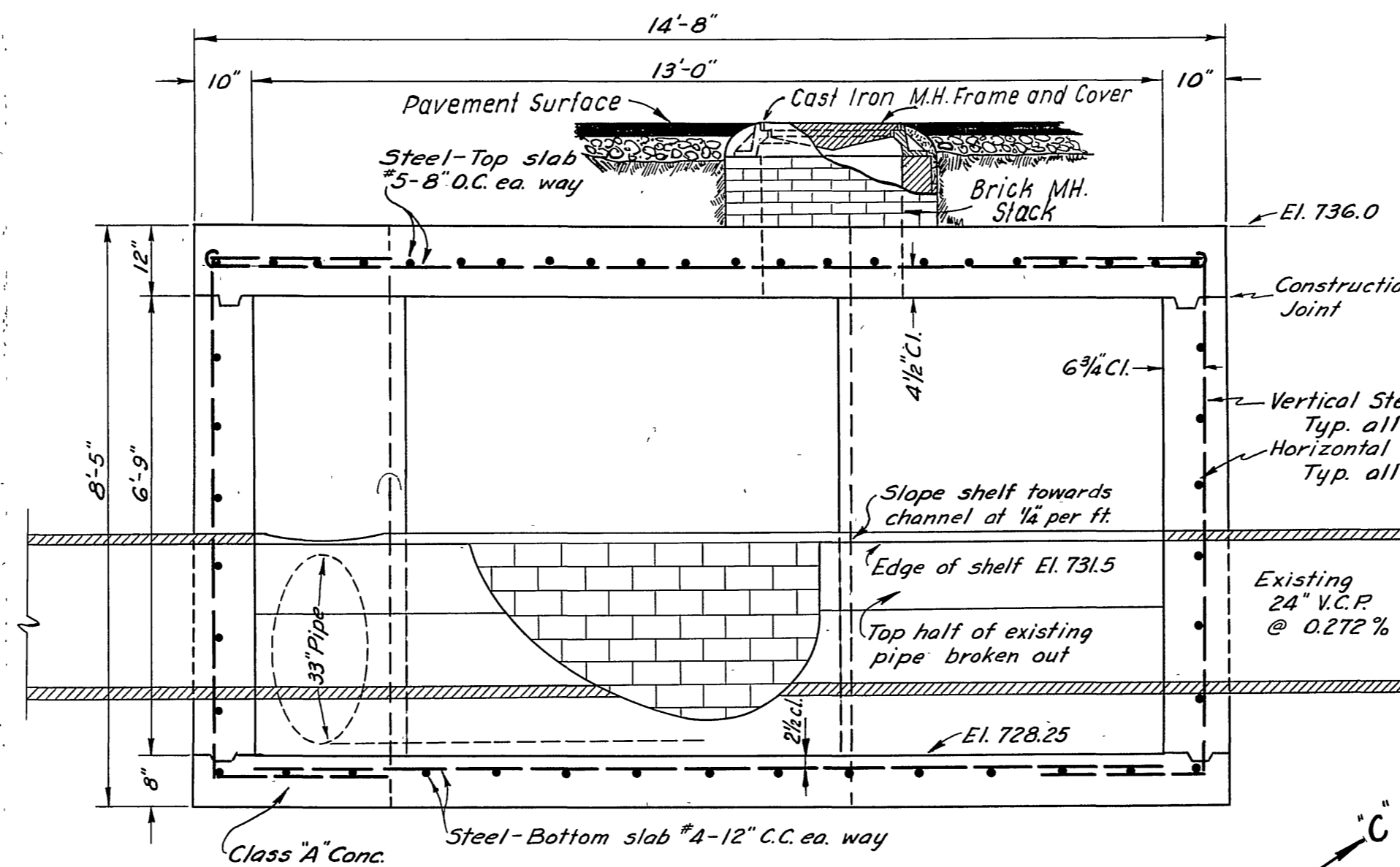
SCALE: 1" = 50' Horiz.  
 1" = 5' Vert.

REVISIONS			JOHN A. CAROLLO CONSULTING ENGINEERS PHOENIX, ARIZONA CITY OF RIVERSIDE, CALIFORNIA DEPARTMENT OF PUBLIC WORKS
MARK	DATE	DESCRIPTION	
△	9/23/59	Show Meas. M.H. Sta. L.L.P.	<b>VAN BUREN RELIEF                  SANITARY TRUNK SEWER                  PLAN &amp; PROFILE                  STA. 61+00 TO STA. 66+41.18</b>
★	12-29-59	As Built, u.Ball	
DESIGNED BY: G.C.W.		CHECKED BY: G.C.W.	APPROVED BY: <i>[Signature]</i>
DRAWN BY: H.G.		DIRECTOR OF PUBLIC WORKS	
RECOMMENDED BY: <i>[Signature]</i>		DATE: July 6, 1979	SHEET 7 OF 9

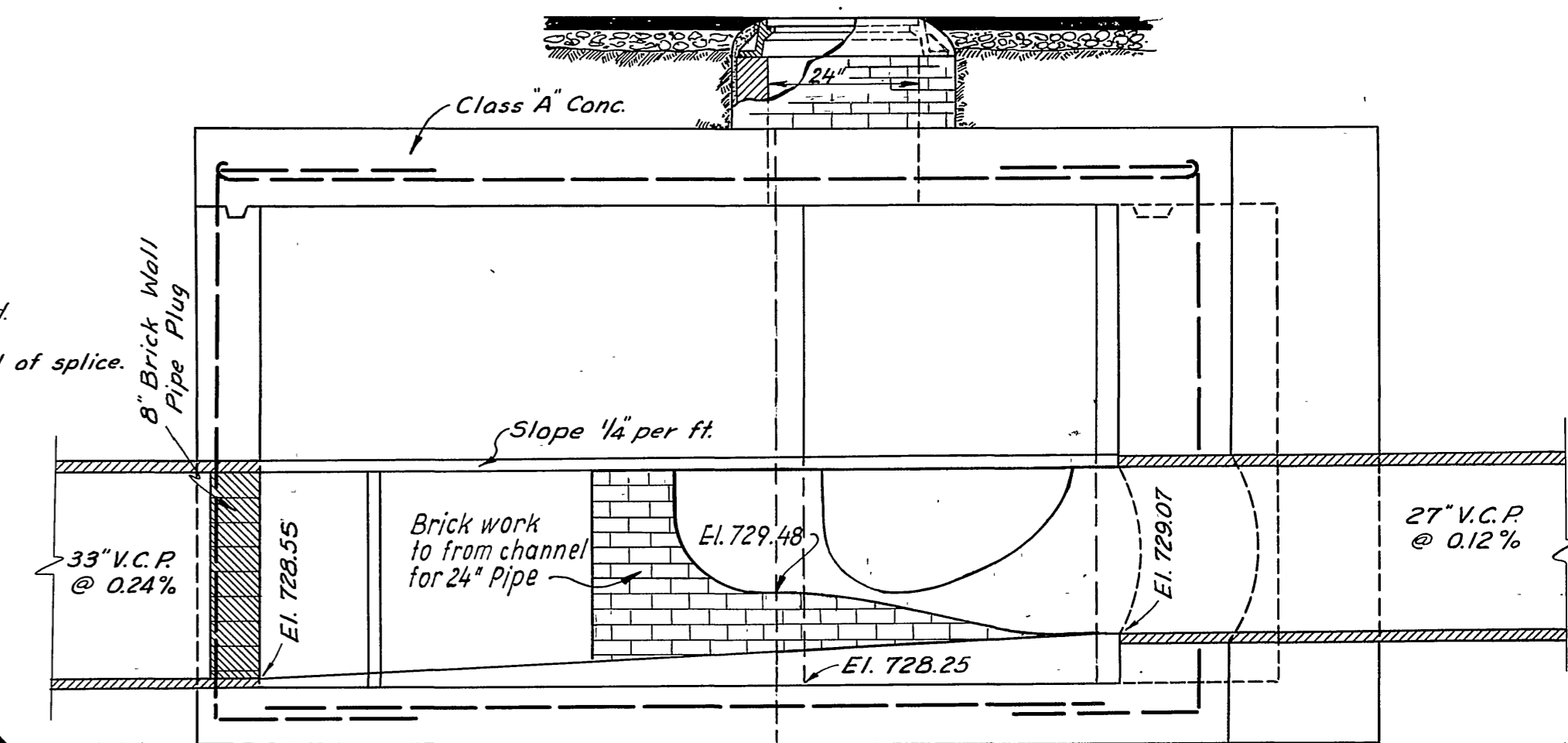


**SECTION F-F**  
**DETAIL OF SLOT**  
**FOR REDWOOD PLANK**

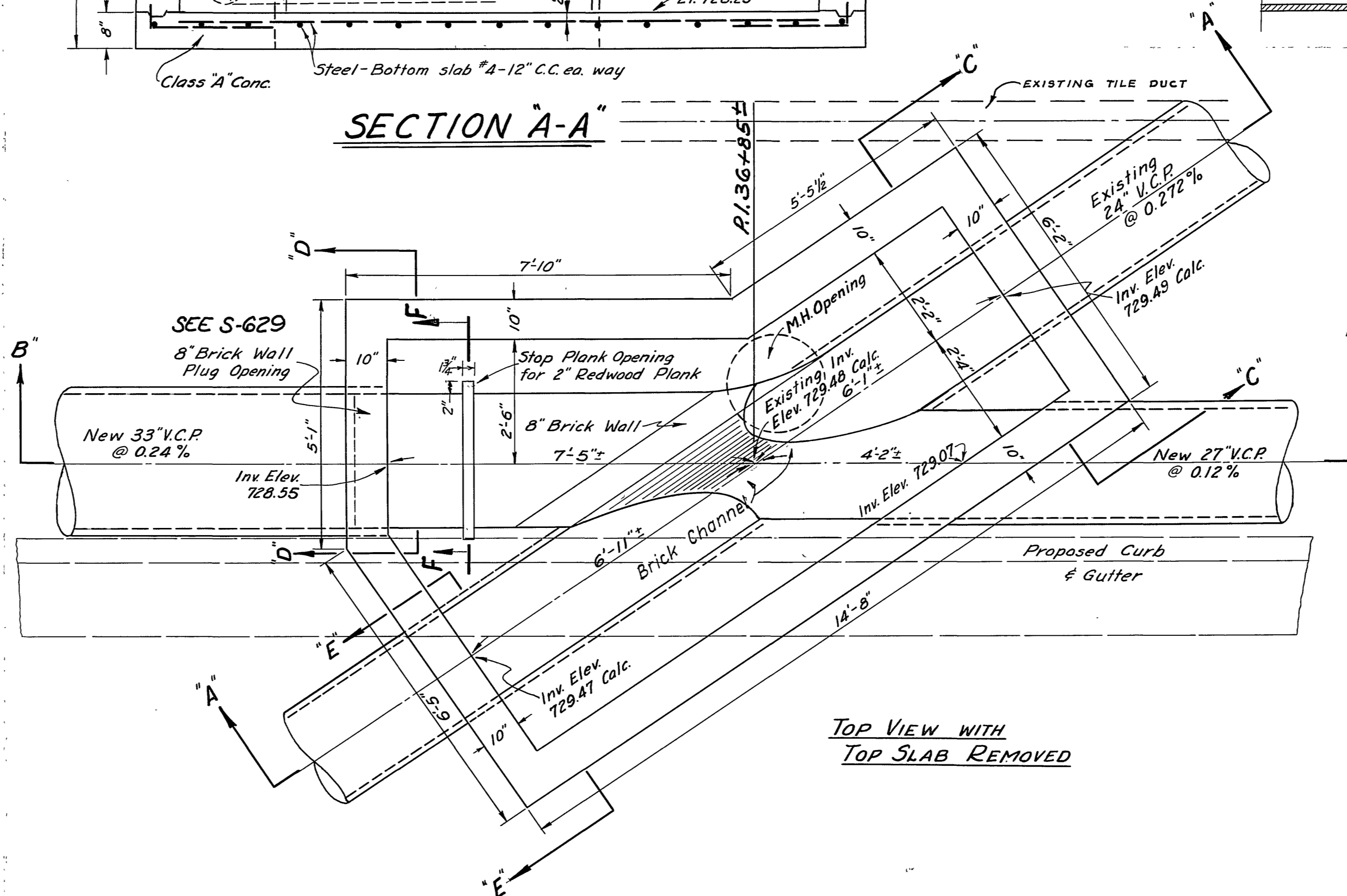
No Scale



**SECTION A-A**



**SECTION B-B**



**TOP VIEW WITH**  
**TOP SLAB REMOVED**

**SEC. C-D & E**  
**SEE SHEET NO 9**

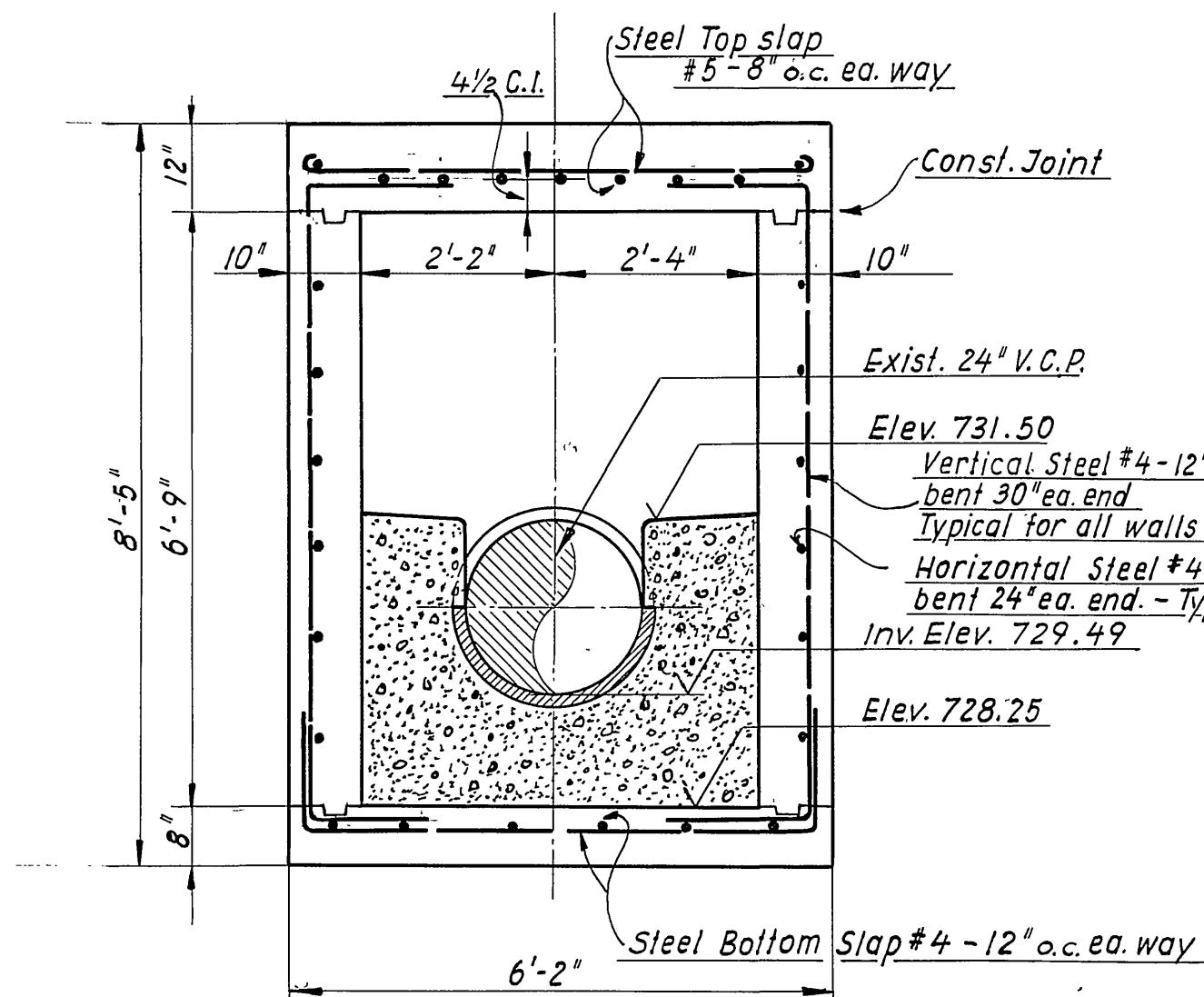
**DETAILS OF JUNCTION CHAMBER**  
**AT STA. 36+85±**

Scale: 1" = 2'-0"  
Bid Item No. 5

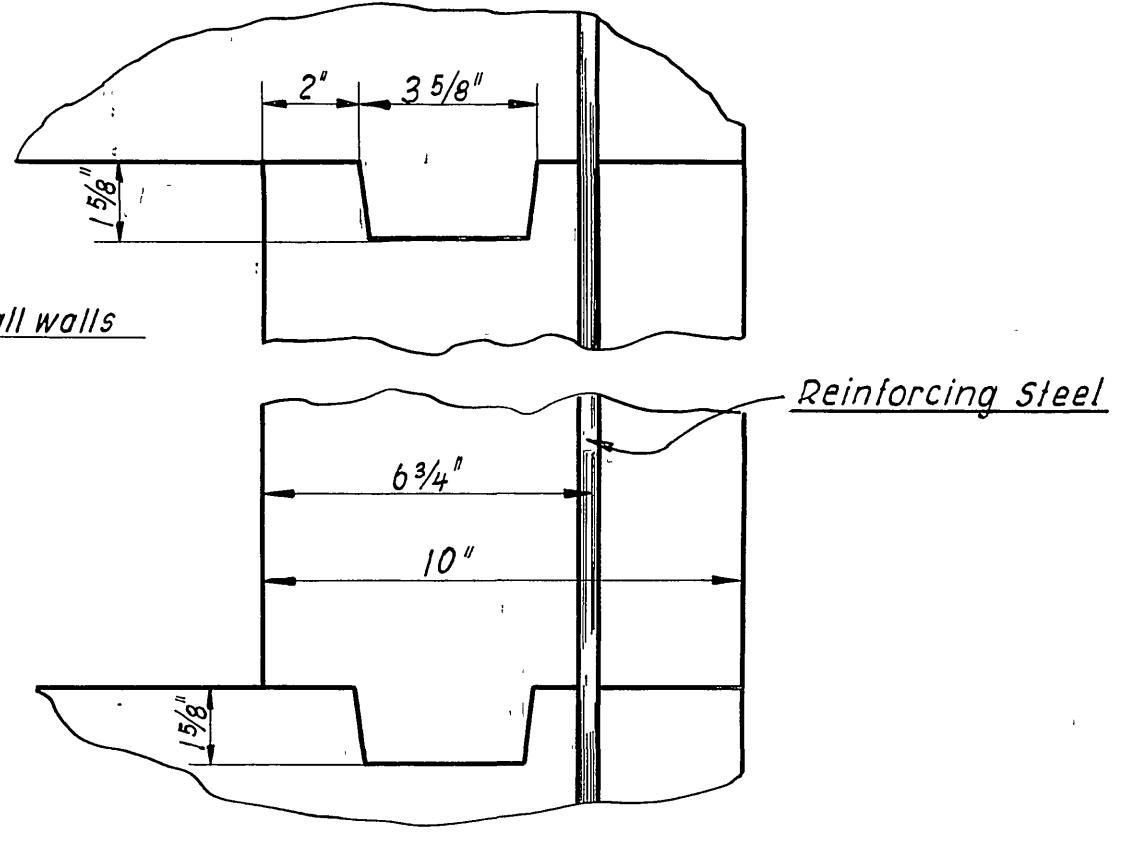
SCALE: 1" = 50' HORIZ.  
1" = 5' VERT.

REVISIONS			JOHN A. CAROLLO CONSULTING ENGINEERS PHOENIX, ARIZONA CITY OF RIVERSIDE, CALIFORNIA DEPARTMENT OF PUBLIC WORKS
MARK	DATE	DESCRIPTION	
			<b>VAN BUREN RELIEF</b> <b>SANITARY TRUNK SEWER</b> <b>JUNCTION CHAMBER DETAILS</b>
DESIGNED BY: G.C.W.	CHECKED BY: G.C.W.	APPROVED BY: <i>J. Martinez</i>	<b>S-181</b> DIRECTOR OF PUBLIC WORKS ASSISTANT CITY ENGINEER
DRAWN BY: J.G./D.C.	RECOMMENDED BY: <i>Francis J. Selsler</i>	DATE: July 6, 1909	



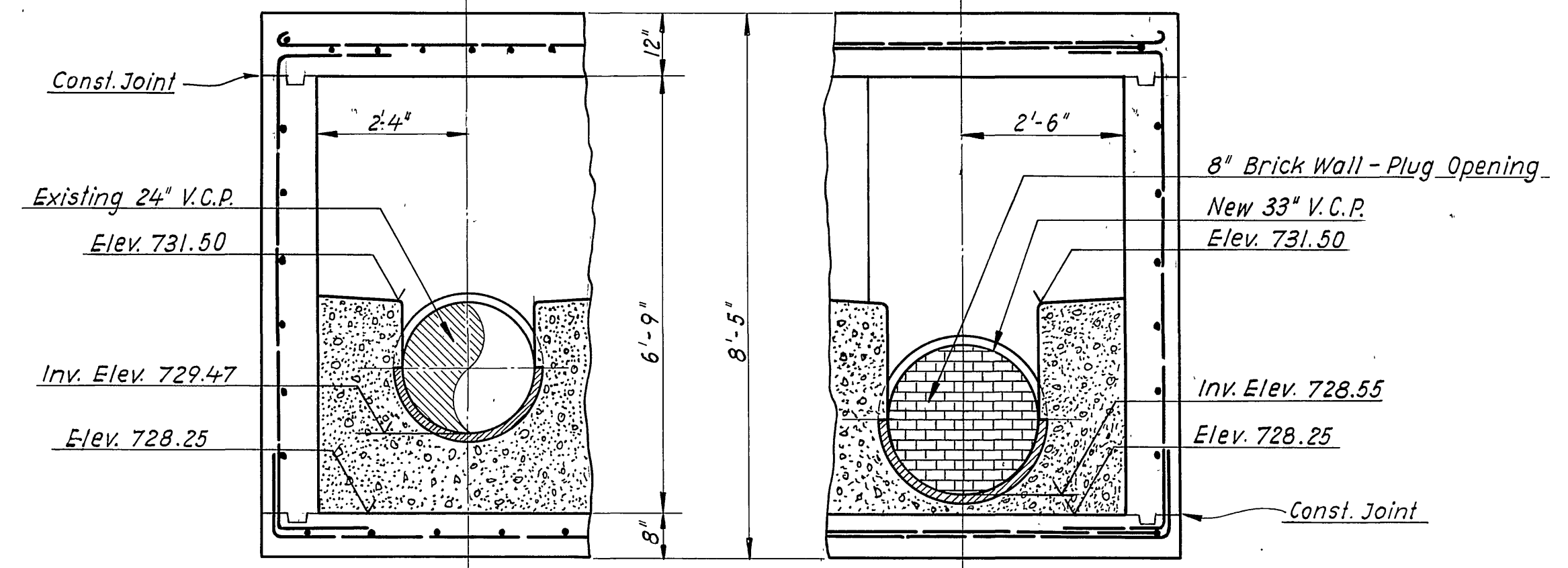


**SECTION C-C**  
SCALE: 1/2" = 1'-0"

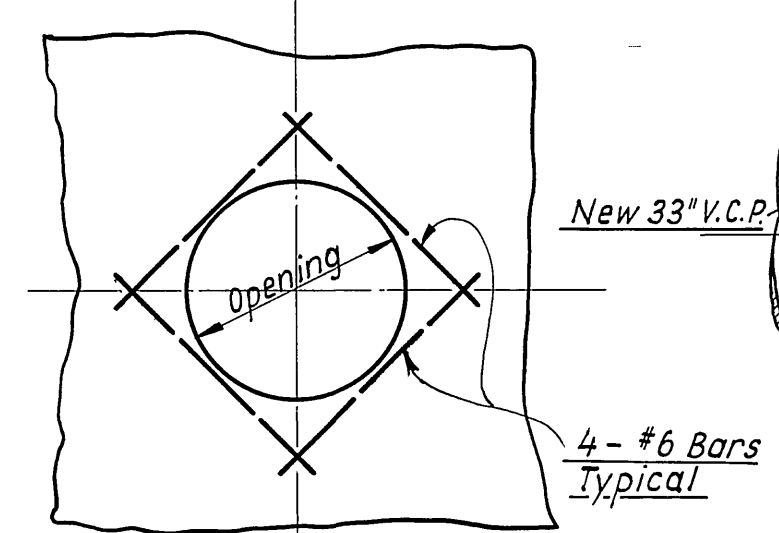


**CONSTRUCTION JOINT DETAIL**  
SCALE: 1/4" = 1'-0"

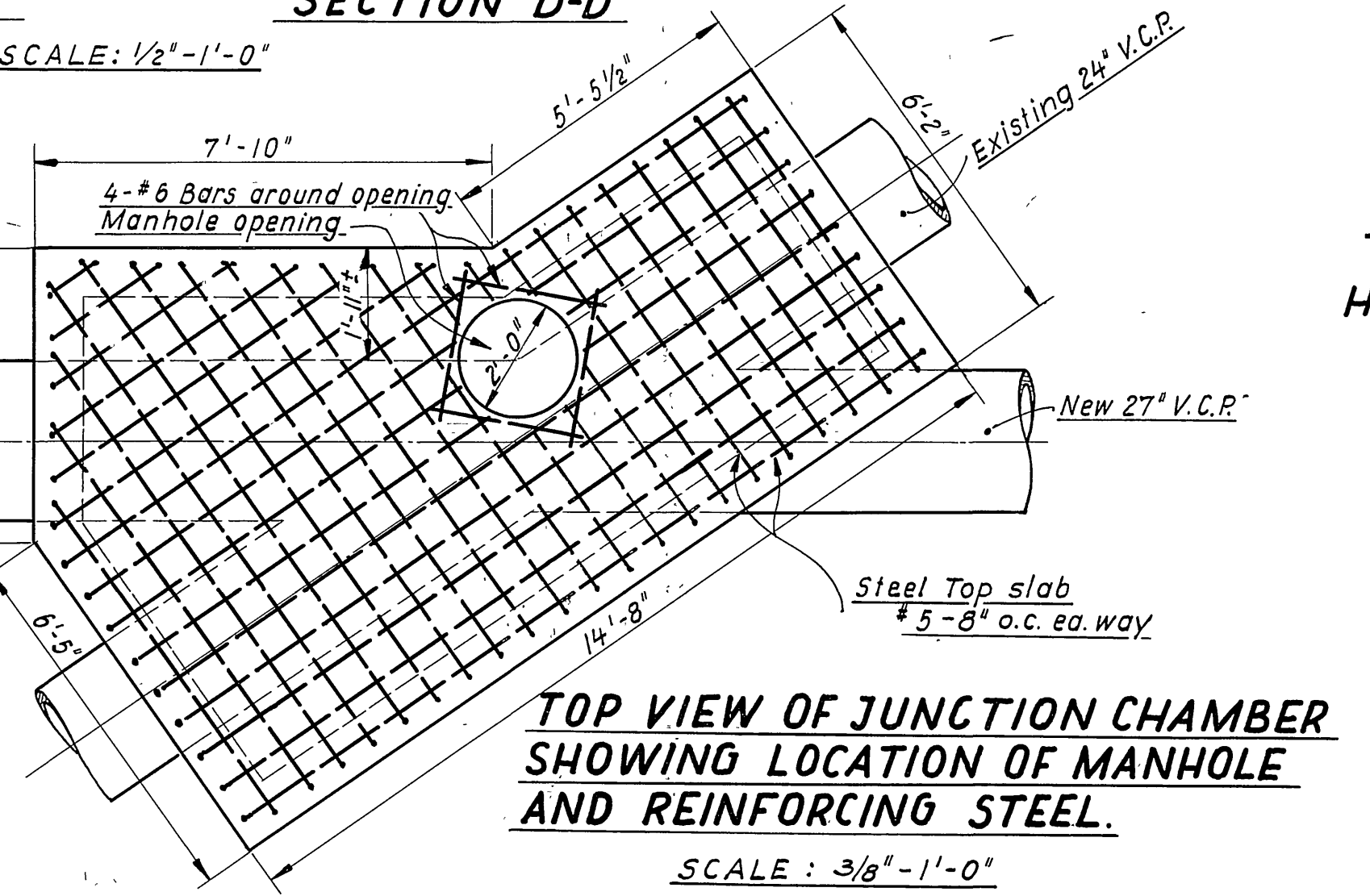
**SECTIONS THRU JUNCTION CHAMBER**



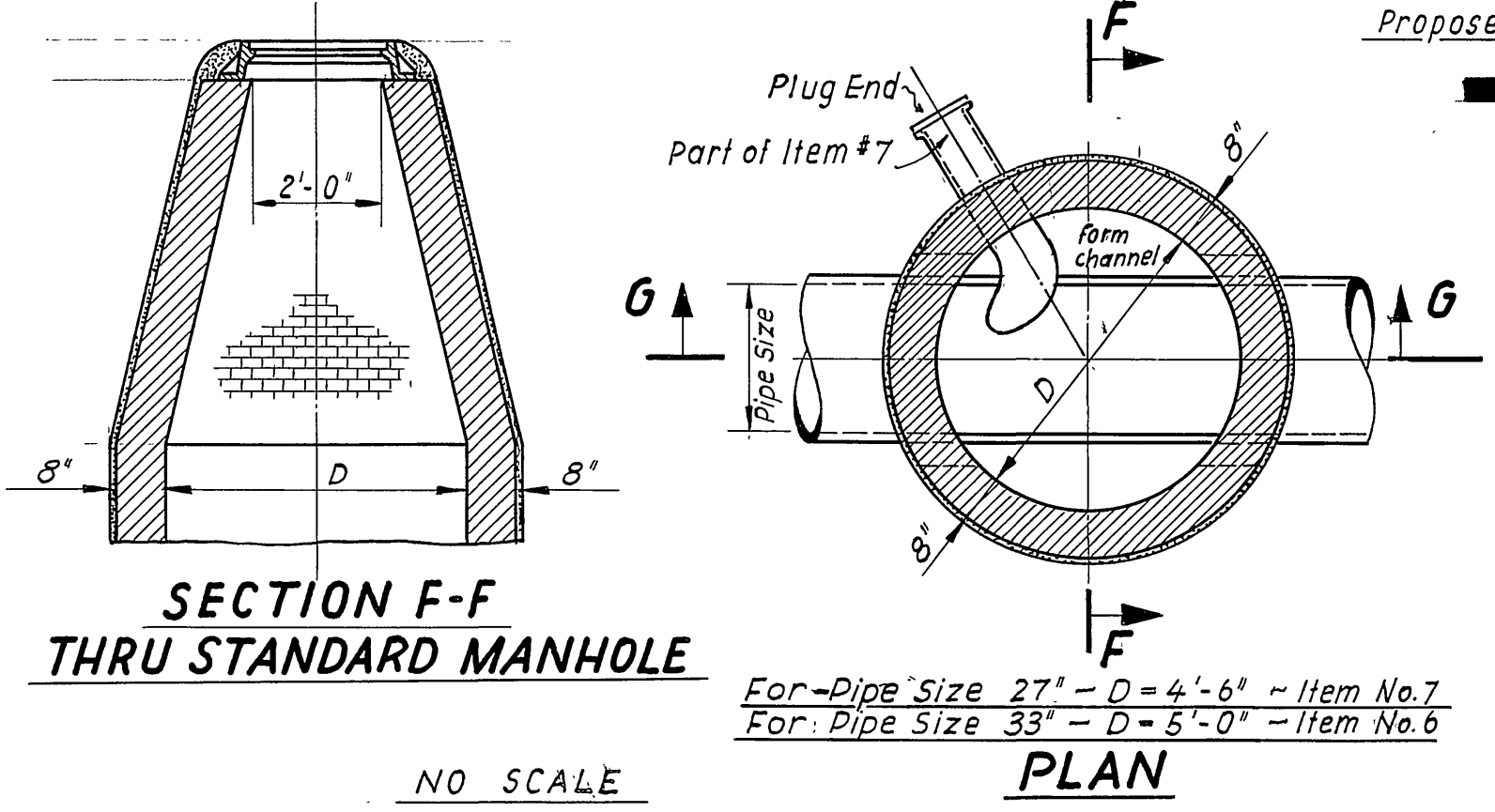
**SECTION E-E SECTION D-D**  
SCALE: 1/2" = 1'-0"



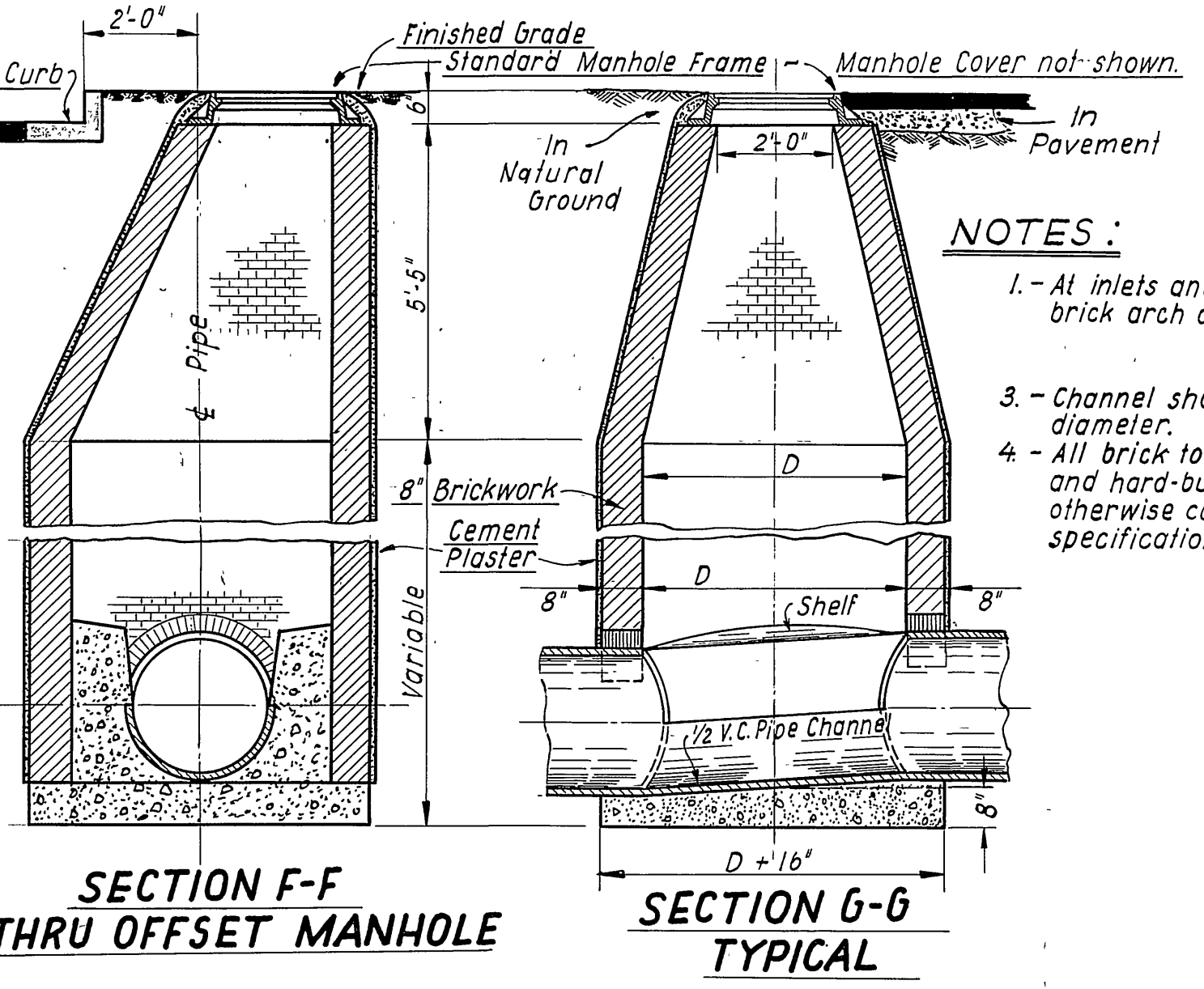
**REINFORCING DETAIL AROUND OPENINGS**  
NO SCALE



**TOP VIEW OF JUNCTION CHAMBER SHOWING LOCATION OF MANHOLE AND REINFORCING STEEL**  
SCALE: 3/8" = 1'-0"

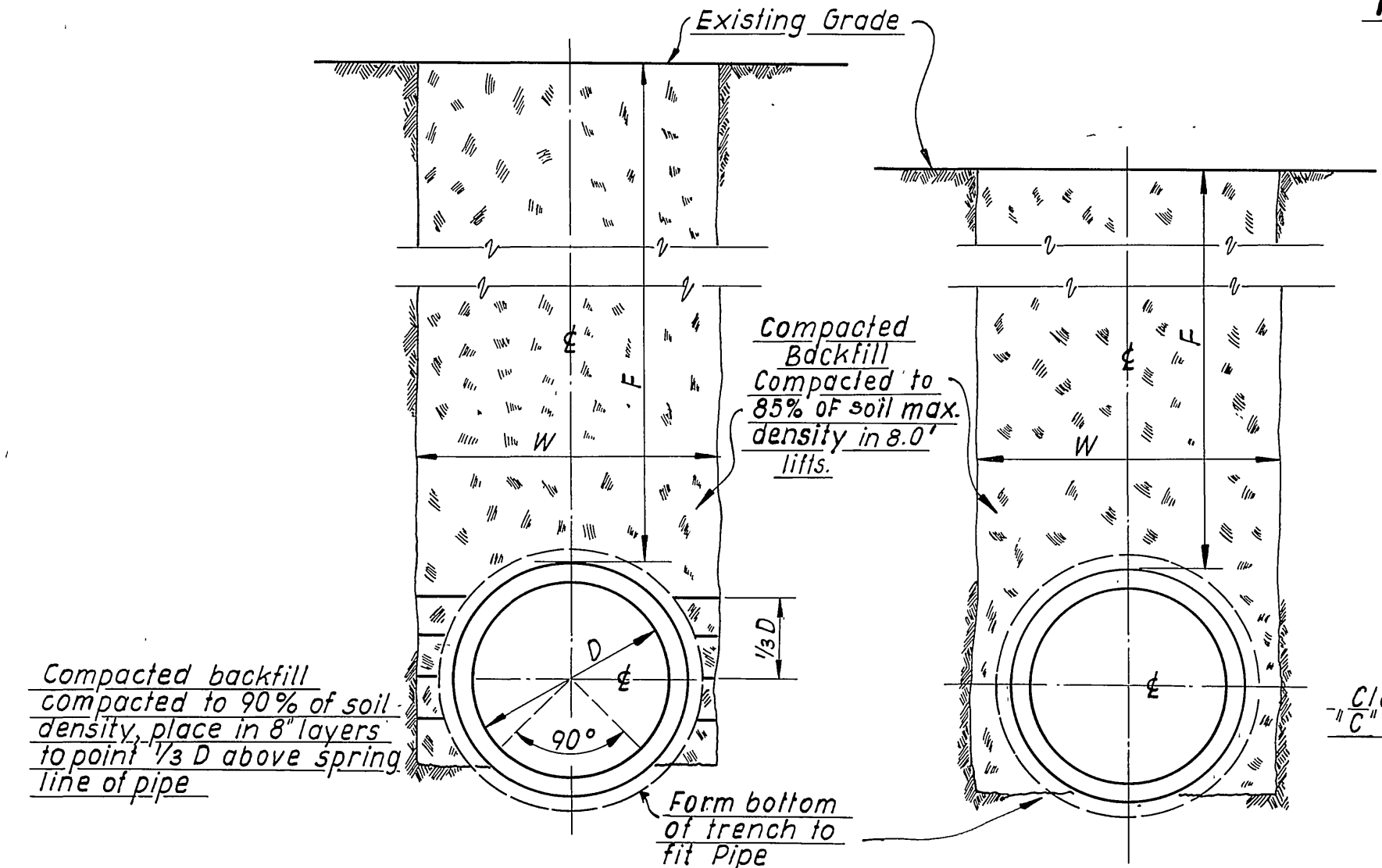


**SECTION F-F THRU STANDARD MANHOLE**  
NO SCALE



**SECTION F-F THRU OFFSET MANHOLE**  
NO SCALE

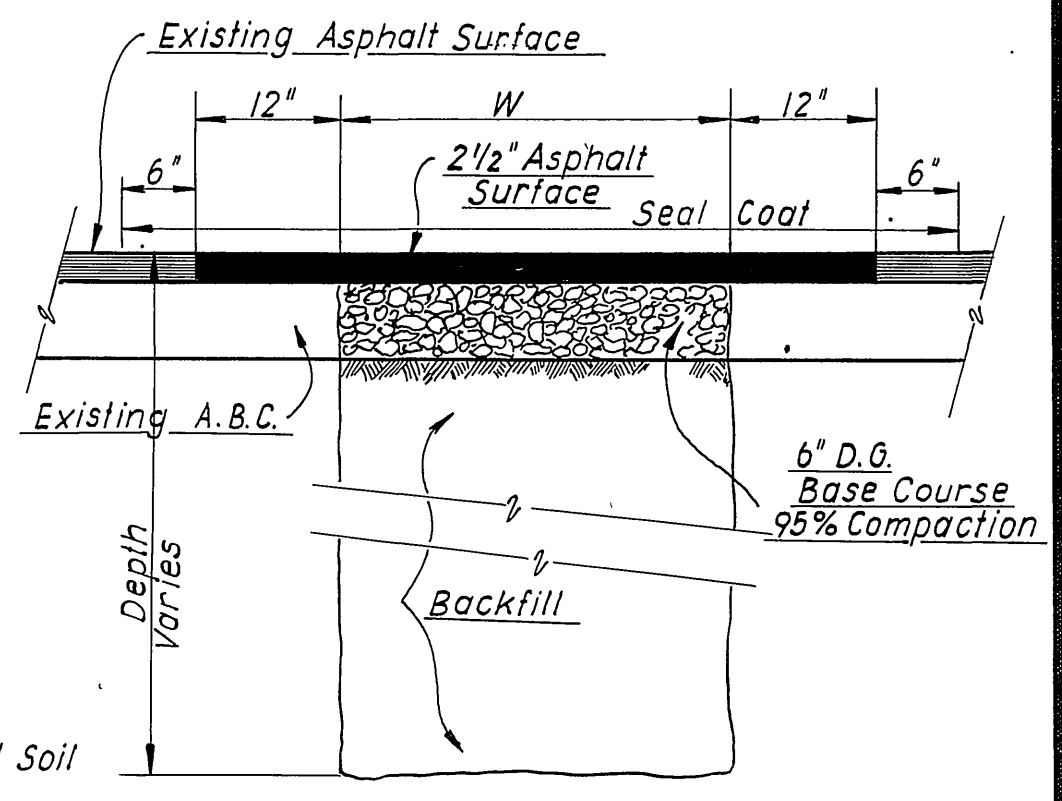
- NOTES:**
1. - At inlets and outlets turn brick arch over pipe.
  2. - Channel shall be full pipe diameter.
  3. - Channel shall be full pipe diameter.
  4. - All brick to be whole, sound and hard-burned and must otherwise conform to specifications.



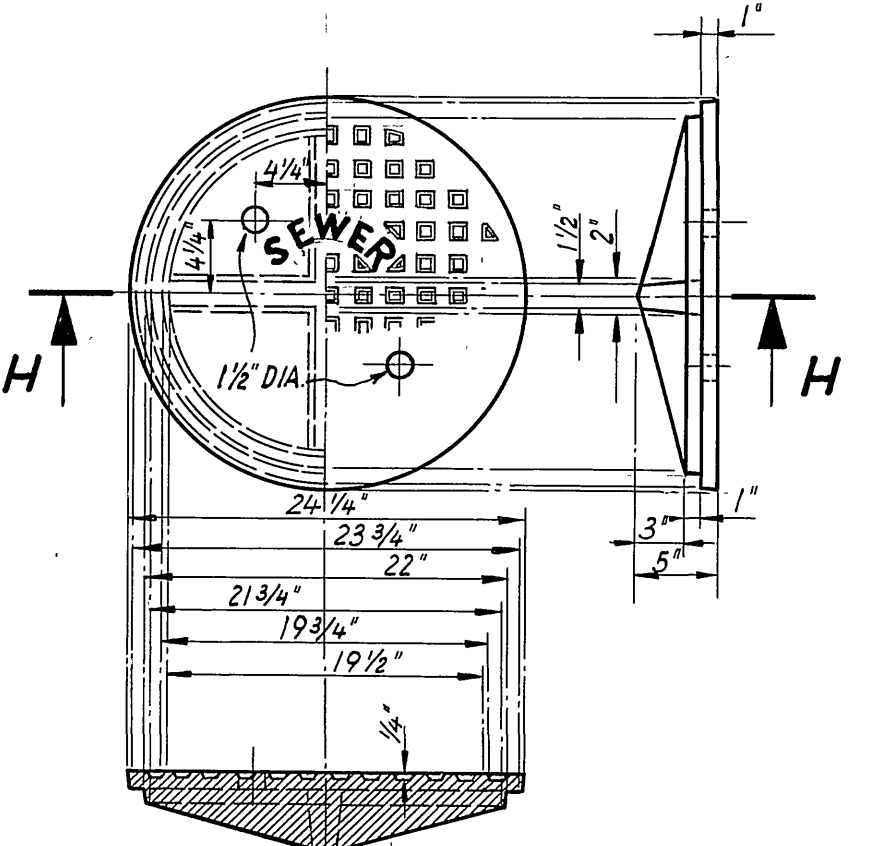
**BEDDING WHEN COVER "F" EXCEEDS 8 FT. UP TO 13 FT.**

**BEDDING WHEN COVER "F" IS LESS THAN 8 FT.**

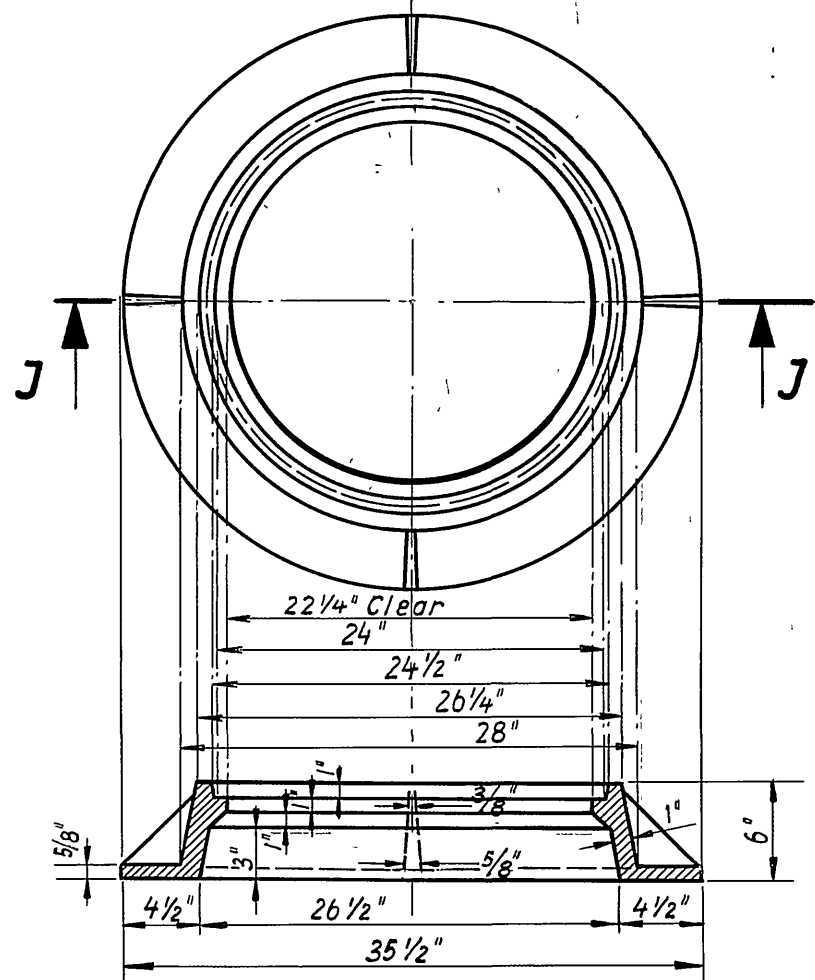
**CONCRETE BACKFILL WHEN COVER "F" IS OVER 13 FT.**



**ASPHALT PAVEMENT REPLACEMENT DETAIL**



**SECTION H-H MANHOLE COVER**  
Min. Wt. 150 lbs.



**SECTION J-J MANHOLE FRAME**  
Min. Wt. 220 lbs.

NO SCALE

MAXIMUM TRENCH WIDTH	
I.D. OF PIPE:	WIDTH OF TRENCH
33"	5'-6"
27"	4'-10"

REVISIONS			JOHN A. CAROLLO CONSULTING ENGINEERS PHOENIX ARIZONA	
MARK	DATE	DESCRIPTION	CITY OF RIVERSIDE, CALIFORNIA DEPARTMENT OF PUBLIC WORKS	
			VAN BUREN RELIEF SANITARY TRUNK SEWER	
			DETAILS	
DESIGNED BY: G.C.W.	CHECKED BY: G.C.W.	APPROVED BY: J. Martin	S-181	
DRAWN BY: H.G.			DIRECTOR OF PUBLIC WORKS	
RECOMMENDED BY: J. Martin		DATE: July 6, 1957	SHEET 9 OF 9	