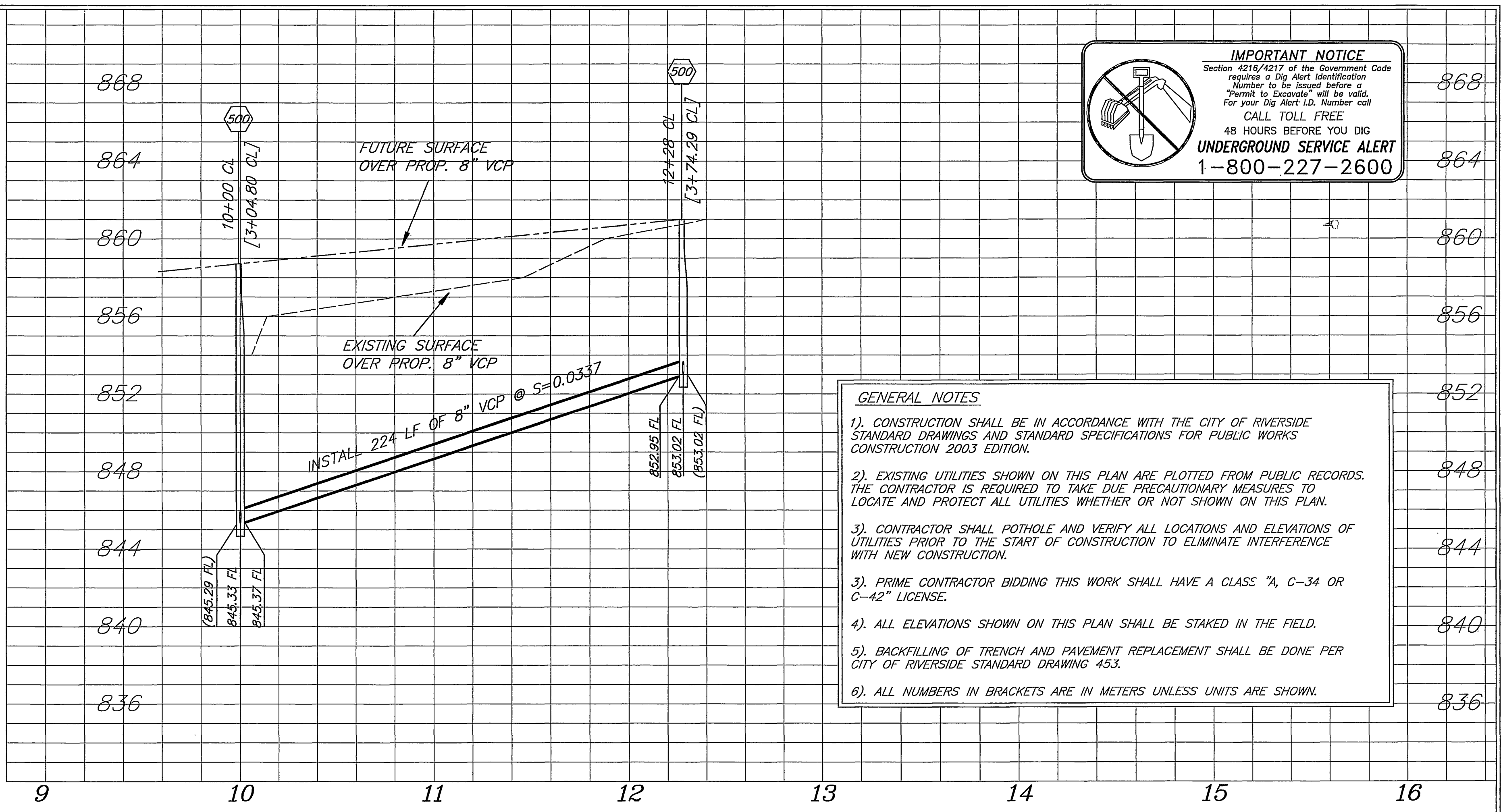
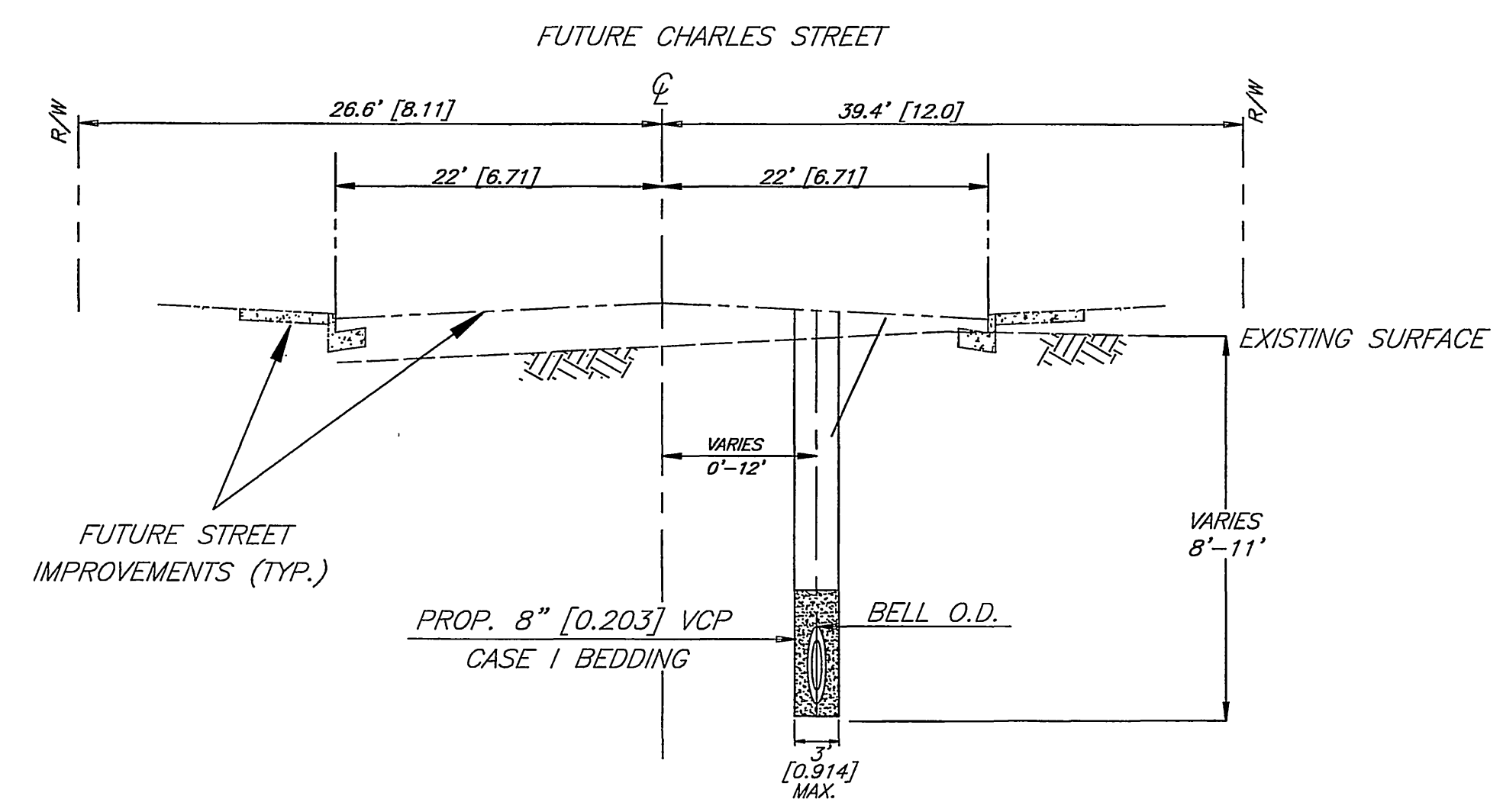
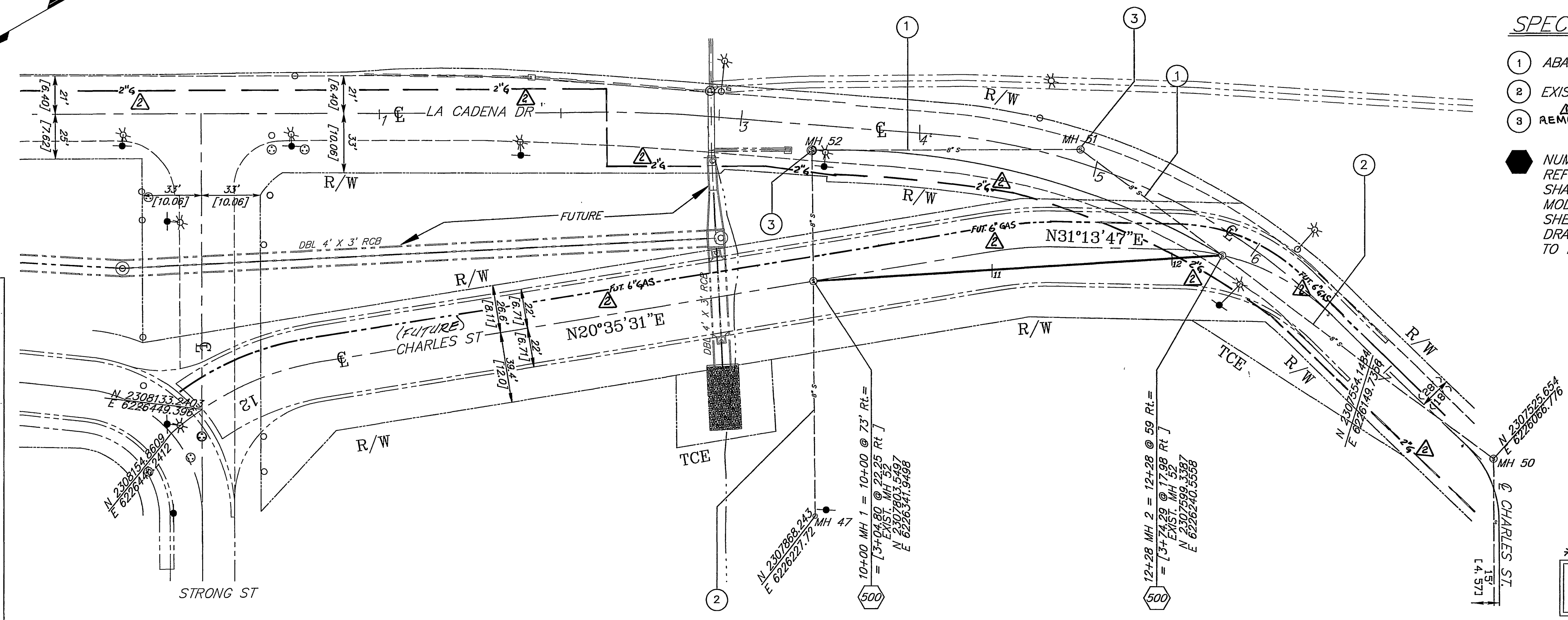
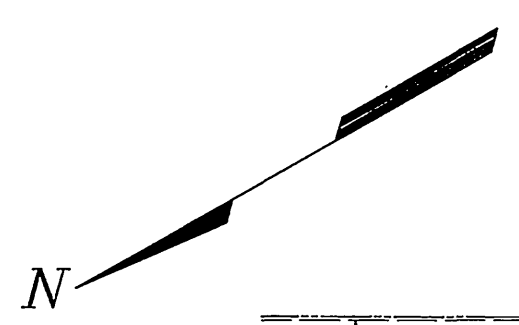


**IMPORTANT NOTICE**  
 Section 4216/4217 of the Government Code requires a Dig Alert Identification Number to be issued before a permit to excavate will be valid. For your Dig Alert ID Number call CALL TOLL FREE 48 HOURS BEFORE YOU DIG **UNDERGROUND SERVICE ALERT 1-800-227-2600**



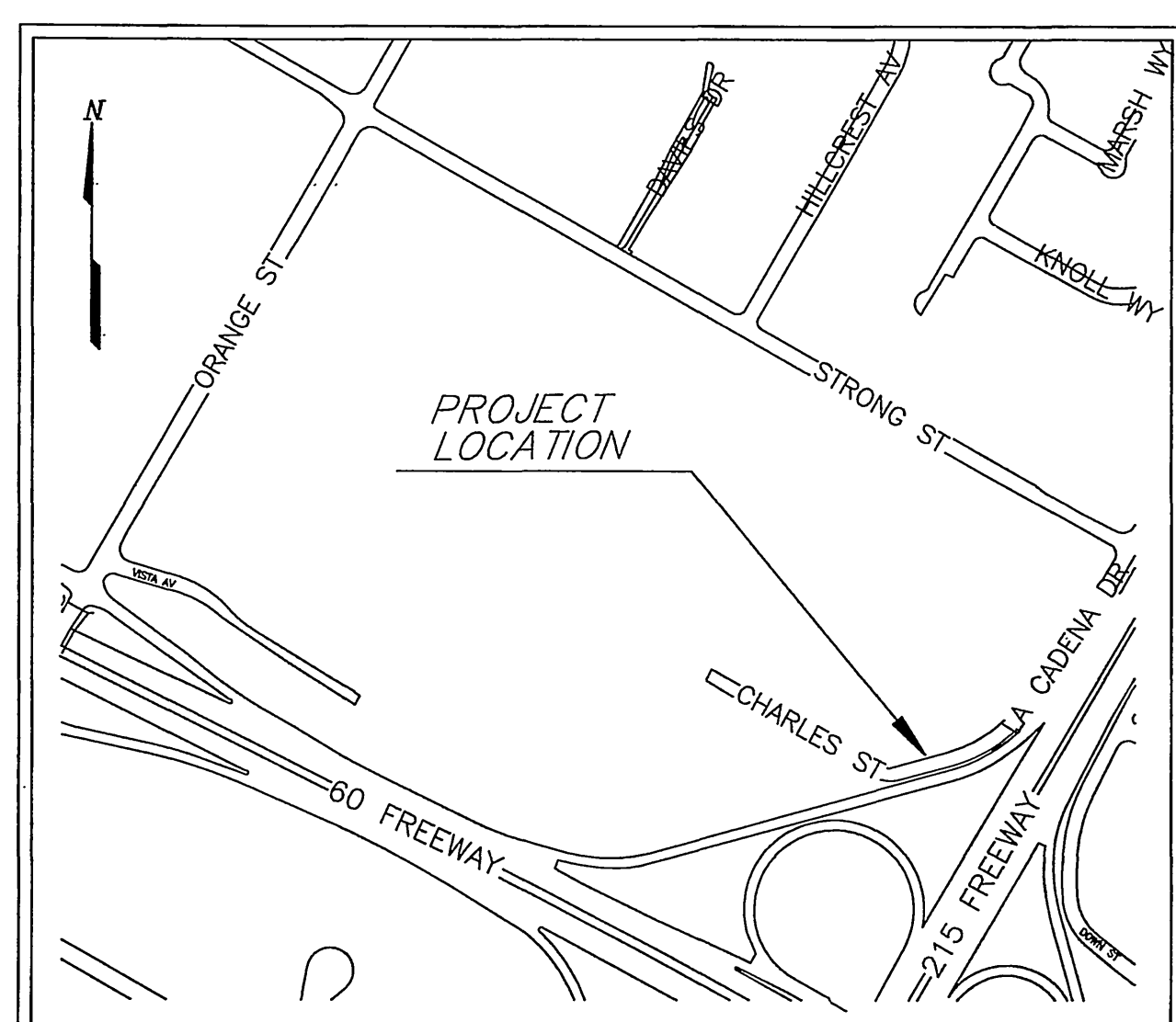
- GENERAL NOTES**
- CONSTRUCTION SHALL BE IN ACCORDANCE WITH THE CITY OF RIVERSIDE STANDARD DRAWINGS AND STANDARD SPECIFICATIONS FOR PUBLIC WORKS CONSTRUCTION 2003 EDITION.
  - EXISTING UTILITIES SHOWN ON THIS PLAN ARE PLOTTED FROM PUBLIC RECORDS. THE CONTRACTOR IS REQUIRED TO TAKE DUE PRECAUTIONARY MEASURES TO LOCATE AND PROTECT ALL UTILITIES WHETHER OR NOT SHOWN ON THIS PLAN.
  - CONTRACTOR SHALL POTHOLE AND VERIFY ALL LOCATIONS AND ELEVATIONS OF UTILITIES PRIOR TO THE START OF CONSTRUCTION TO ELIMINATE INTERFERENCE WITH NEW CONSTRUCTION.
  - PRIME CONTRACTOR BIDDING THIS WORK SHALL HAVE A CLASS "A, C-34 OR C-42" LICENSE.
  - ALL ELEVATIONS SHOWN ON THIS PLAN SHALL BE STAKED IN THE FIELD.
  - BACKFILLING OF TRENCH AND PAVEMENT REPLACEMENT SHALL BE DONE PER CITY OF RIVERSIDE STANDARD DRAWING 453.
  - ALL NUMBERS IN BRACKETS ARE IN METERS UNLESS UNITS ARE SHOWN.



**SPECIFIC CONSTRUCTION NOTES**

- ABANDON EXISTING SEWER IN PLACE
  - EXISTING SEWER TO REMAIN IN SERVICE.
  - REMOVE EXISTING SEWER MANHOLE.
- NUMBERS ABOVE 100 IN A HEXAGON ON THE PLAN REFER TO THE RESPECTIVE STANDARD DRAWING AND SHALL BE CONSTRUCTED ACCORDINGLY, UNLESS MODIFICATIONS ARE NOTED ON THE PLAN OR COVER SHEET. ANY NUMBER SHOWN BELOW THE STANDARD DRAWING NUMBER INDICATES THE SPECIFIC ALTERNATE TO BE CONSTRUCTED.

\*AS-BUILT PER PLANS 9-28-05 L#  
 SEWER RELOCATION IS NECESSARY DUE TO CALTRANS' PROJECT TO WIDEN THE I-215/RTE 60 FREEWAY.



**BENCHMARK**  
 J7-12 P.K. NAIL IN THE NORTH "CB" OF STRONG STREET, 90 FEET EASTERLY OF THE CENTERLINE OF MAIN STREET.  
 ELEV- 807.185

**ENGINEER IN RESPONSIBLE CHARGE**  
 LAUREN F. CALDWELL  
 R.C.E. No. 39441 expires 12/31/05  
 DATE 12/11/2003



Added future & exist. gas lines	12/11/03
CHANGE ABANDON TO REMOVE	12/11/03
MARK	REVISIONS
APPR.	DATE

**CITY OF RIVERSIDE, CALIFORNIA**  
**PUBLIC WORKS DEPARTMENT**  
 APPROVED BY: [Signature] DATE: 12/11/03  
 INSPECTOR: [Signature]  
 SURVEYOR: [Signature]

**LA CADENA DRIVE**  
**SEWER RELOCATION**  
**ALONG CHARLES STREET**  
 INDEXED 7-15-04 L#  
 ACC. No. 9762723203-440301XX  
**S-1816**  
 HORIZ. SCALE: 1" = 40' VERT. SCALE: 1" = 4'  
 SHEET 1 OF 1