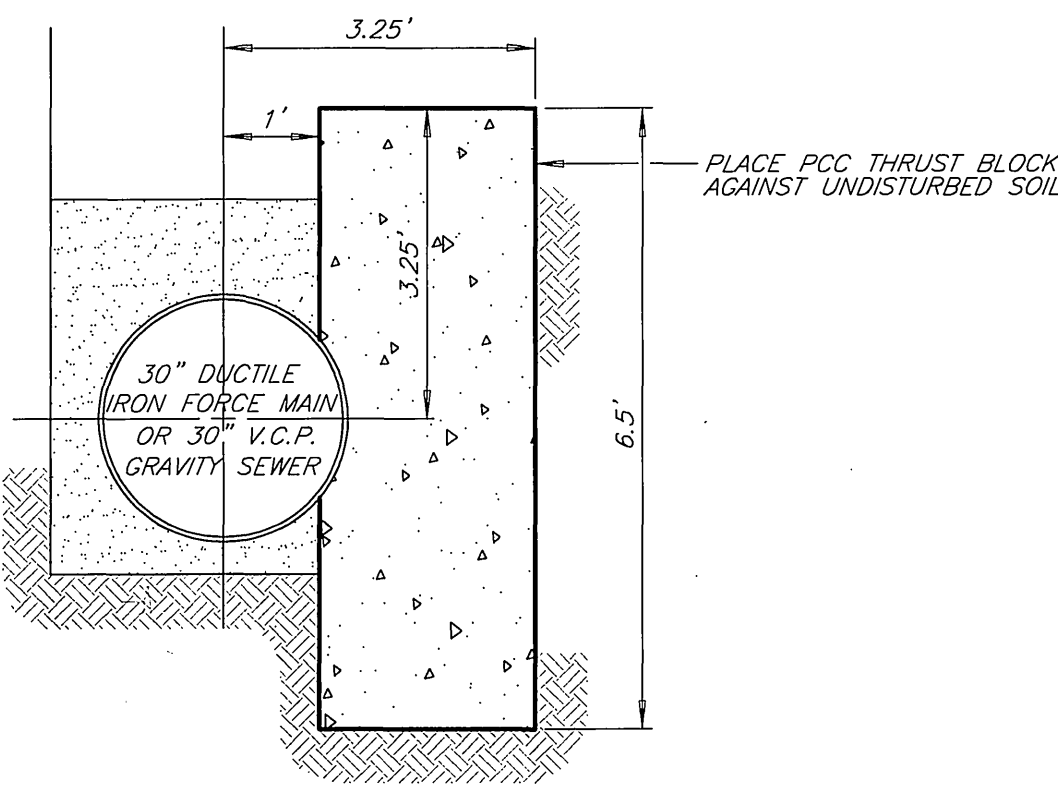
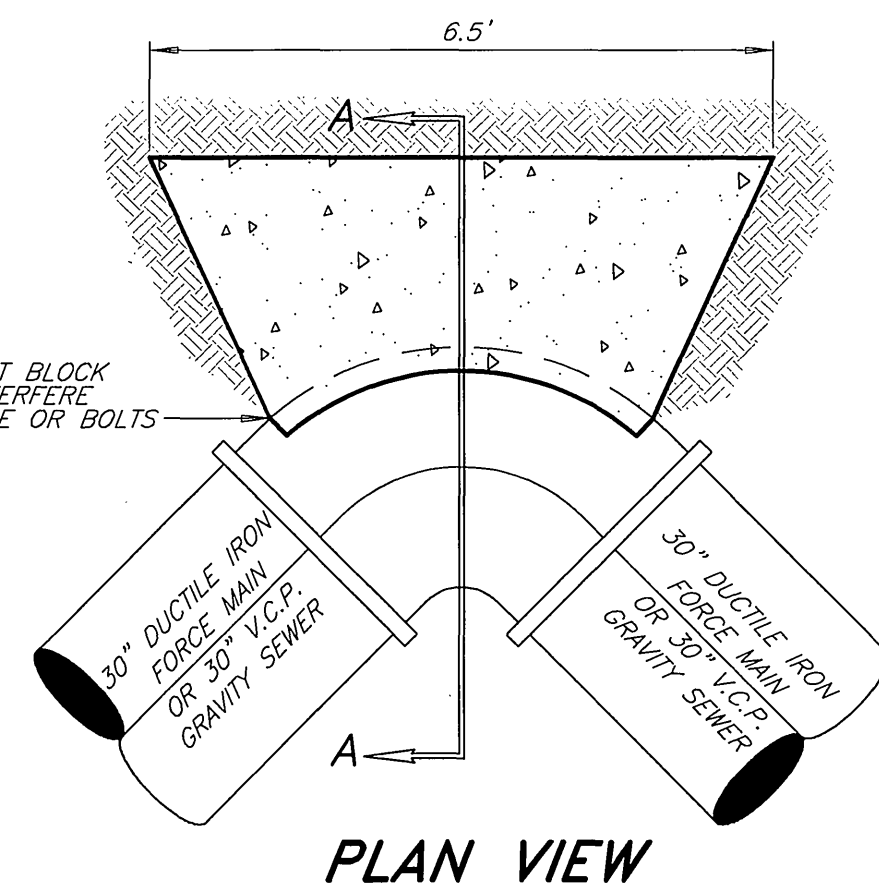


GENERAL CONSTRUCTION NOTES:

- 1 EXISTING UTILITIES SHOWN ON THE PLAN, ARE PLOTTED FROM UTILITY RECORDS. THE CONTRACTOR IS REQUIRED TO TAKE DUE PRECAUTIONARY MEASURES TO LOCATE AND PROTECT ALL UTILITIES WHETHER OR NOT SHOWN ON THIS PLAN.
- 2 PRIME CONTRACTORS BIDDING THIS WORK SHALL HAVE A CLASS "A", "C-34", OR A "C-42" LICENSE.
- 3 ALL ELEVATIONS SHOWN ON THE PLANS SHALL BE STAKED IN THE FIELD.
- 4 ANY WORK THAT WILL CAUSE DAMAGE TO THE DETECTOR LOOPS SHALL NOT BE PERFORMED UNTIL TRAFFIC SIGNAL MAINTENANCE PERSONNEL HAVE BEEN NOTIFIED AND THE NECESSARY TIMING ADJUSTMENTS ARE MADE TO MAINTAIN SIGNAL OPERATION.
- 5 CONSTRUCTION SHALL BE IN ACCORDANCE WITH THE CITY OF RIVERSIDE STANDARD DRAWINGS AND STANDARD SPECIFICATIONS FOR PUBLIC WORKS CONSTRUCTION, 2003 EDITION.
- 6 TRENCHES SHALL BE EITHER BACKFILLED AND COMPACTED PER STD. DWG. 453 OR COVERED WITH TRAFFIC RATED STEEL PLATES AT THE END OF EACH WORK DAY. THE CONTRACTOR MAY, AT HIS OPTION, INSTALL K-RAILING (PLUS INSTALLATION OF ANY SIGNING AND WARNING DEVICES AS REQUIRED BY THE ENGINEER) IN LIEU OF STEEL PLATING OR BACKFILLING. THE OPTION TO INSTALL K-RAILING SHALL NOT RELIEVE THE CONTRACTOR OF RESPONSIBILITY TO PROVIDE ACCESS TO RESIDENCES AND BUSINESSES DURING NON-WORKING HOURS.
- 7 WATER VALVES ENCOUNTERED DURING PIPELINE CONSTRUCTION OR DURING RESTORATION OF SURFACE IMPROVEMENTS SHALL BE PROTECTED IN PLACE, RESTORED TO PRECONSTRUCTION CONDITION AND/OR ADJUSTED TO GRADE BY THE CONTRACTOR.
- 8 PIPE BEDDING SHALL BE PER STD. DWG. 452 AND SHALL BE CASE 1 UNLESS SPECIFIED OTHERWISE ON THE PLANS.
- 9 CONTRACTOR SHALL REPLACE ALL TRAFFIC DETECTOR LOOPS AFFECTED BY CONSTRUCTION.
- 10 CONTRACTOR SHALL RELOCATE ALL TRAFFIC SIGNS REMOVED DUE TO CONSTRUCTION, PER CITY STANDARDS.
- 11 DUCTILE IRON PIPE SHALL BE PRESSURE CLASS 150 OR 200 AS SHOWN ON THE PLAN AND SHALL BE UNIFORMLY LINED WITH A 40-MIL THICK COATING, SUITABLE FOR SANITARY SEWAGE, OF EITHER CERAMIC EPOXY OR POLYETHYLENE.

CONSTRUCTION LEGEND:

- NUMBERS ABOVE 100 IN A HEXAGON ON THE PLAN REFER TO THE RESPECTIVE STANDARD DRAWING AND SHALL BE CONSTRUCTED ACCORDINGLY, UNLESS MODIFICATIONS ARE NOTED ON THE PLAN. ANY NUMBER SHOWN BELOW THE STANDARD DRAWING NUMBER INDICATES THE SPECIFIC ALTERNATE TO BE CONSTRUCTED.
- PIP PROTECT IN PLACE.
- TB CONSTRUCT THRUST BLOCK PER DETAIL, BELOW.
- TS INSTALL TRAFFIC SIGNAL DETECTOR LOOPS.
- G COLD MILL EXISTING A.C. 0.08' BELOW GUTTER LIP OR OUTSIDE EDGE, DAYLIGHTING IN 5'. THE SURFACE OF AREAS WITH 10" WIDE COLD MILL, SHOWN ON THE PLAN, SHALL BE STRAIGHT GRADED IN ONE PASS FROM 0.1' FROM THE OUTSIDE EDGE TO "DAY LIGHT" AT THE INSIDE EDGE.
- P CONTRACTOR SHALL EXPOSE THE INDICATED UTILITY AND ALLOW THE CITY SURVEYOR TO DETERMINE THE ELEVATION OF THE INDICATED UTILITY. ALL UTILITIES INDICATED TO BE POTHOLED SHALL BE EXPOSED AND THEIR ELEVATIONS DETERMINED PRIOR TO THE ISSUANCE OF GRADE SHEETS.
- CWD-023 CONST. P.C.C. ENCASEMENT PER PU STD. DWG. CWD-023, TYPE B



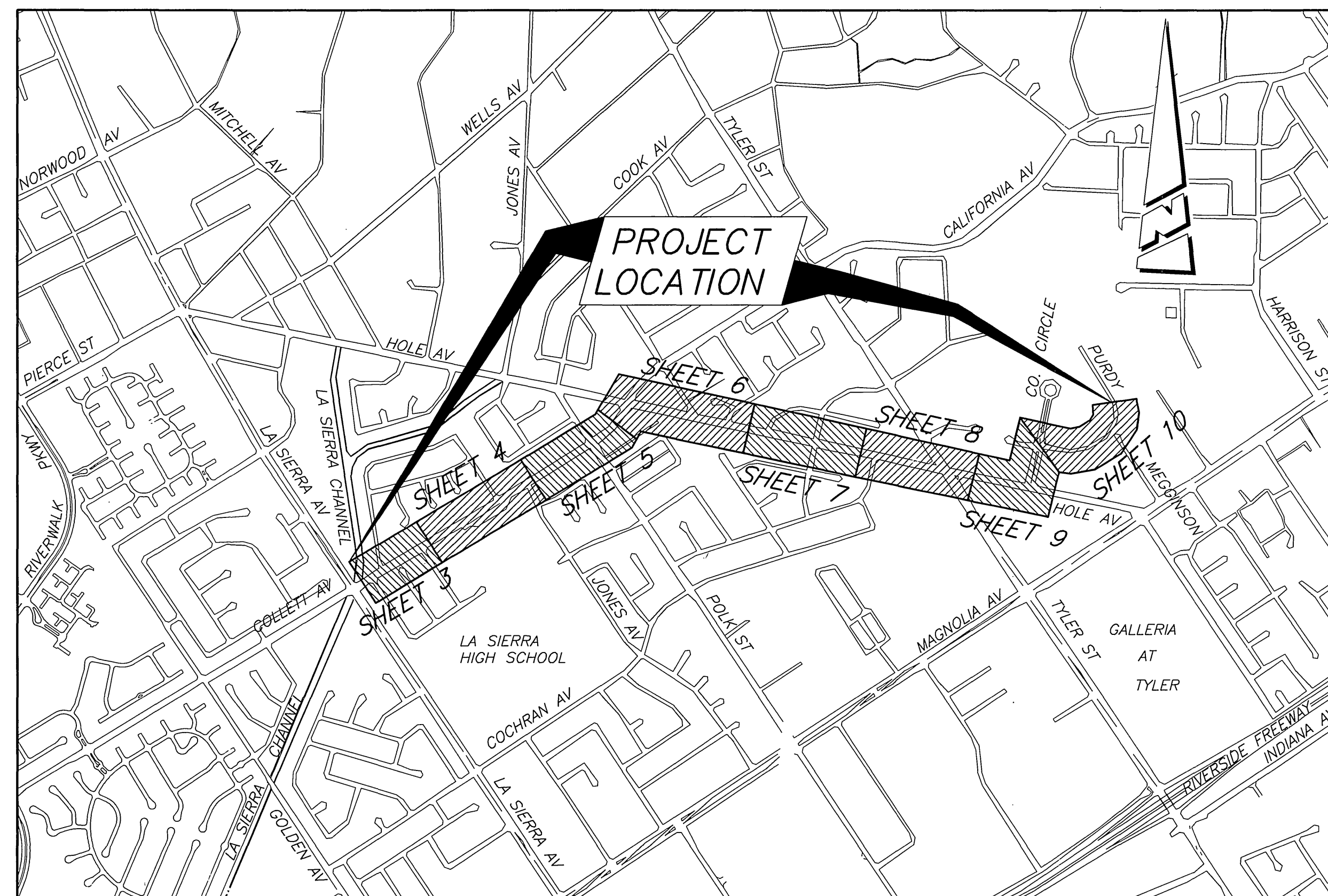
**SECTION A-A
PCC THRUST BLOCK DETAIL**

SCALE: 1" = 2'

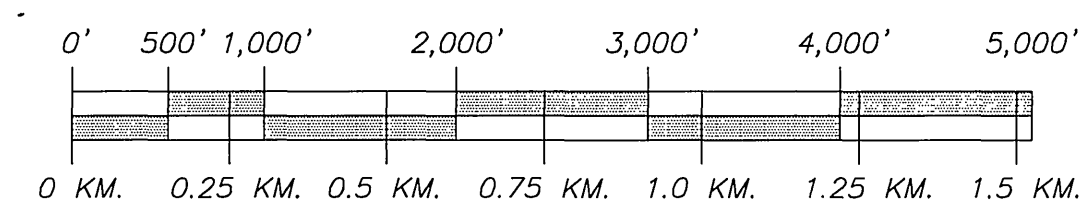
RIVERSIDE CALIFORNIA

PUBLIC WORKS DEPARTMENT

LA SIERRA AREA
SEWER FORCE MAIN
PHASE II



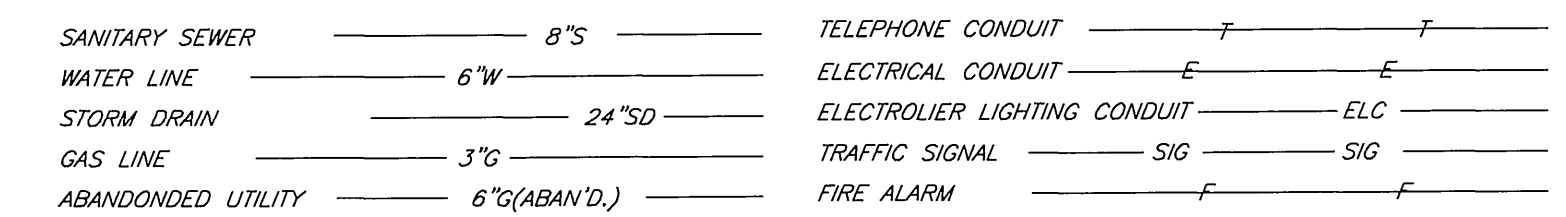
PROJECT LOCATION MAP



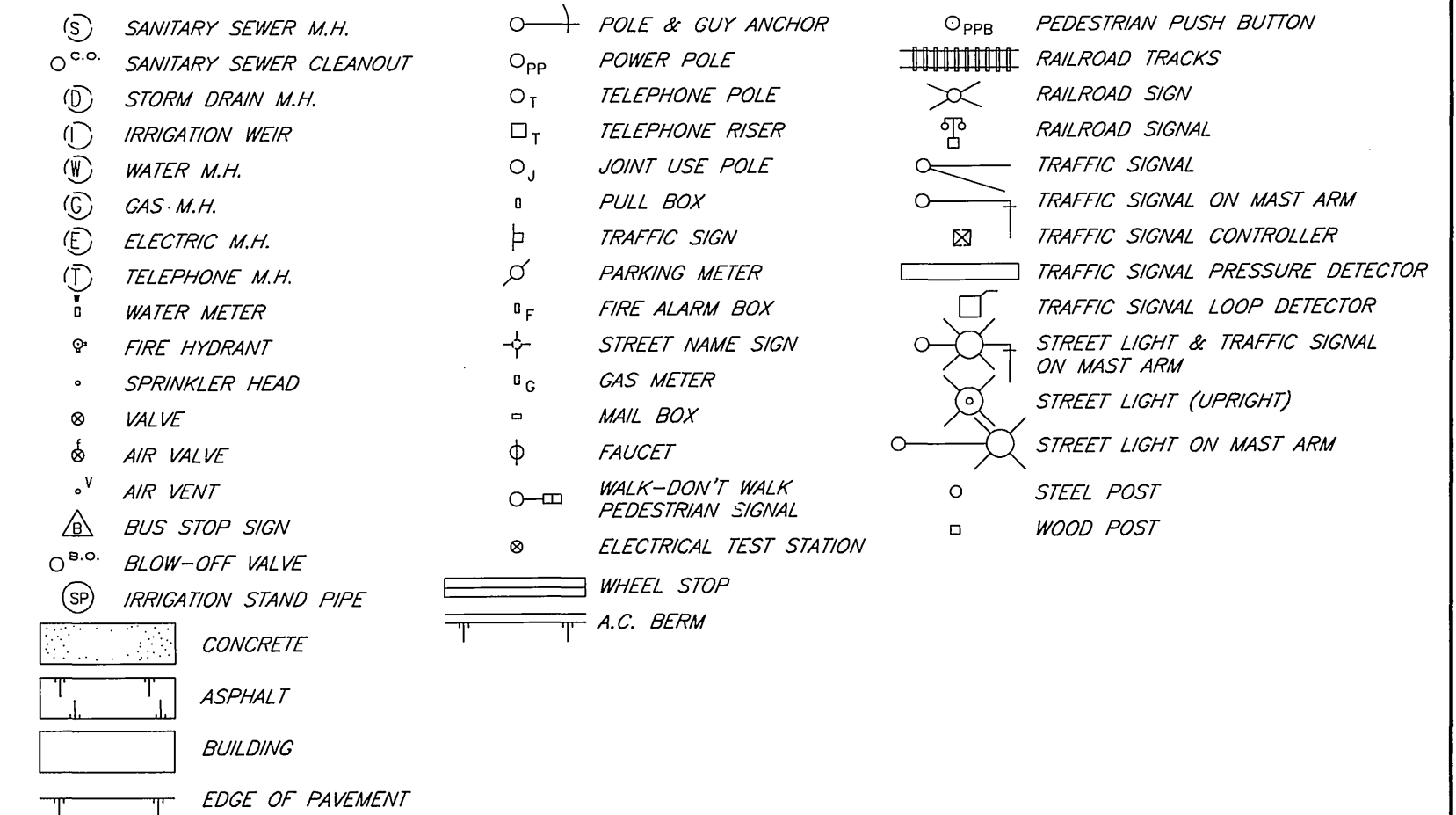
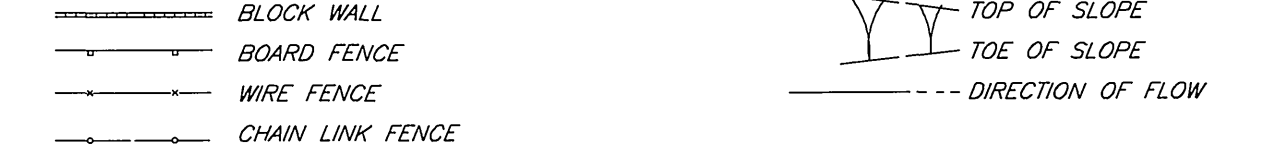
SCALE: 1" = 1,000'

EXISTING UNDERGROUND & TOPOGRAPHY LEGEND

EXISTING UNDERGROUND UTILITIES:



EXISTING TOPOGRAPHY:



COATING AND LINING SCHEDULE

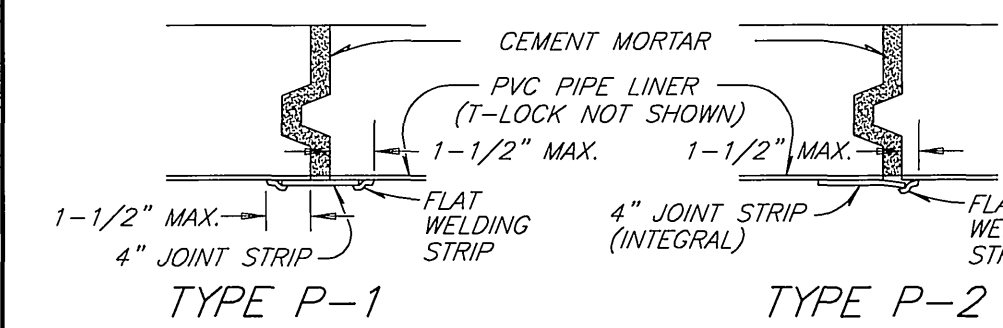
- C ALL EXPOSED INTERIOR SURFACES OF MANHOLE BASE, RINGS, FRAME AND COVER TO BE COATED WITH SANGON 100 EPOXY PRIMER/POLY URETHANE TOP COAT SYSTEM PER MANUFACTURER'S RECOMMENDATIONS, OR CITY APPROVED EQUAL.
- V ALL EXPOSED INTERIOR SURFACES OF MANHOLE SHAFT TO BE LINED WITH "T-LOCK AMER PLATE" (WHITE) AS MANUFACTURED BY AMERSON PROTECTIVE COATING DIVISION OR CITY APPROVED EQUAL.

FRAME & COVER

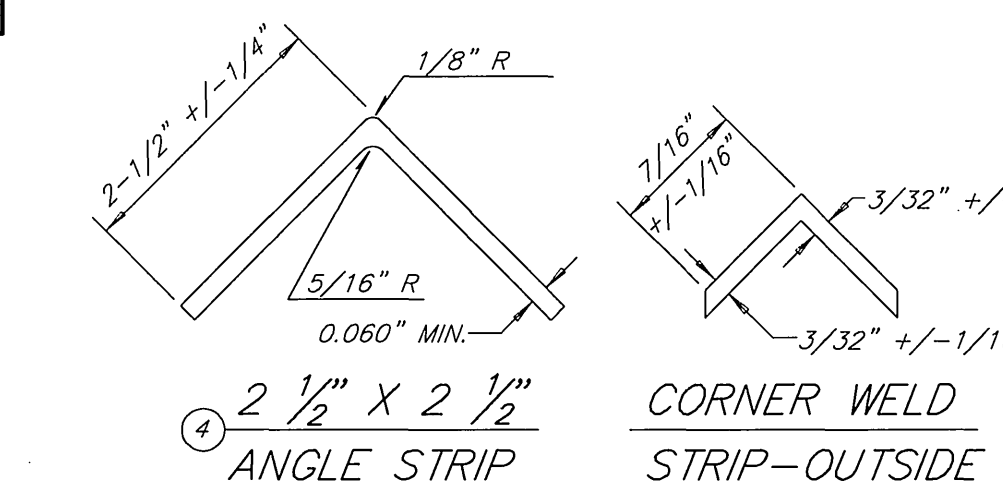
VINYL LINER

JOINTS

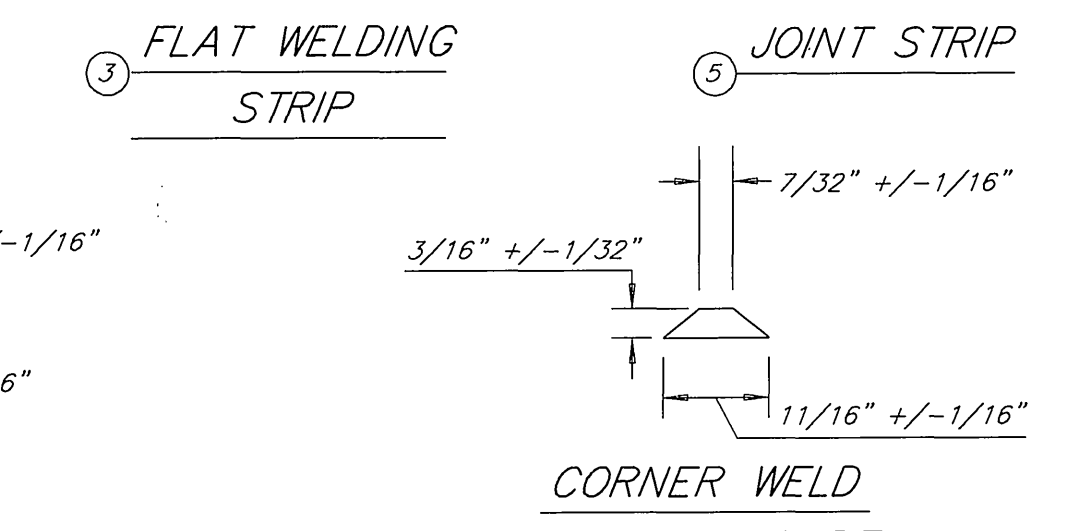
- 1 SET MANHOLE SHAFT AND GRADE RINGS IN CEMENT GROUT ON TOP OF P.V.C. LINER.
- 2 T-LOCK P.V.C. LINER INSTALLED IN PIPE BY FABRICATOR.
- 3 1-INCH WELD STRIP
- 4 2 1/2" X 2 1/2" ANGLE STRIP.
- 5 4" +/- 1/4" JOINT STRIP.



P.V.C. LINER JOINTS



CORNER WELD STRIP-OUTSIDE



CORNER WELD STRIP-INSIDE

DETAILS FOR VINYL LINING

NTS

IMPORTANT NOTICE
Section 4216/4217 of the Government Code requires a Dig Alert identification Number to be issued before a "Permit to Excavate" will be valid. For your Dig Alert ID, Number call CALL TOLL FREE 48 HOURS BEFORE YOU DIG UNDERGROUND SERVICE ALERT 1-800-227-2600

ENGINEER IN RESPONSIBLE CHARGE
Lauren F. Caldwell
LAUREN F. CALDWELL
R.C.E. No. 39441 expires 12/31/2007
DATE 1/12/06

REGISTERED PROFESSIONAL ENGINEER
LAUREN F. CALDWELL
No. 39441
Exp. 12-31-2007
CIVIL
STATE OF CALIFORNIA

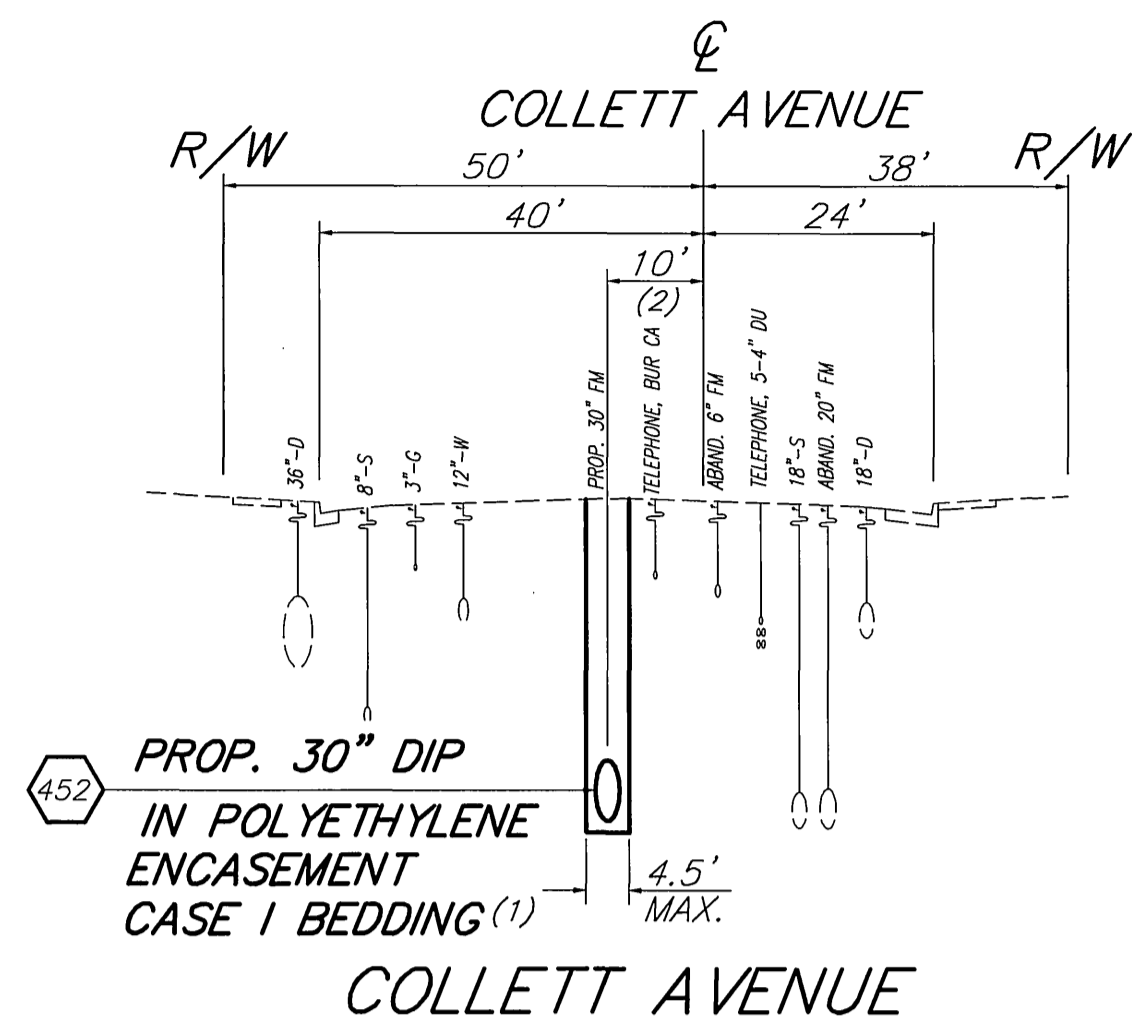
MARK	REVISIONS	APPR.	DATE
DESIGNED BY	SK	DRAWN BY	SK
CHECKED BY			

**CITY OF RIVERSIDE, CALIFORNIA
PUBLIC WORKS DEPARTMENT**

APPROVED BY	BY	DATE	APPROVED BY
CONTRACT ADMINISTRATOR	<i>[Signature]</i>	1/12/06	<i>[Signature]</i>
STREET SERVICES			CITY ENGINEER
SURVEYOR			
TRAFFIC DIVISION			
PARKS DEPARTMENT			

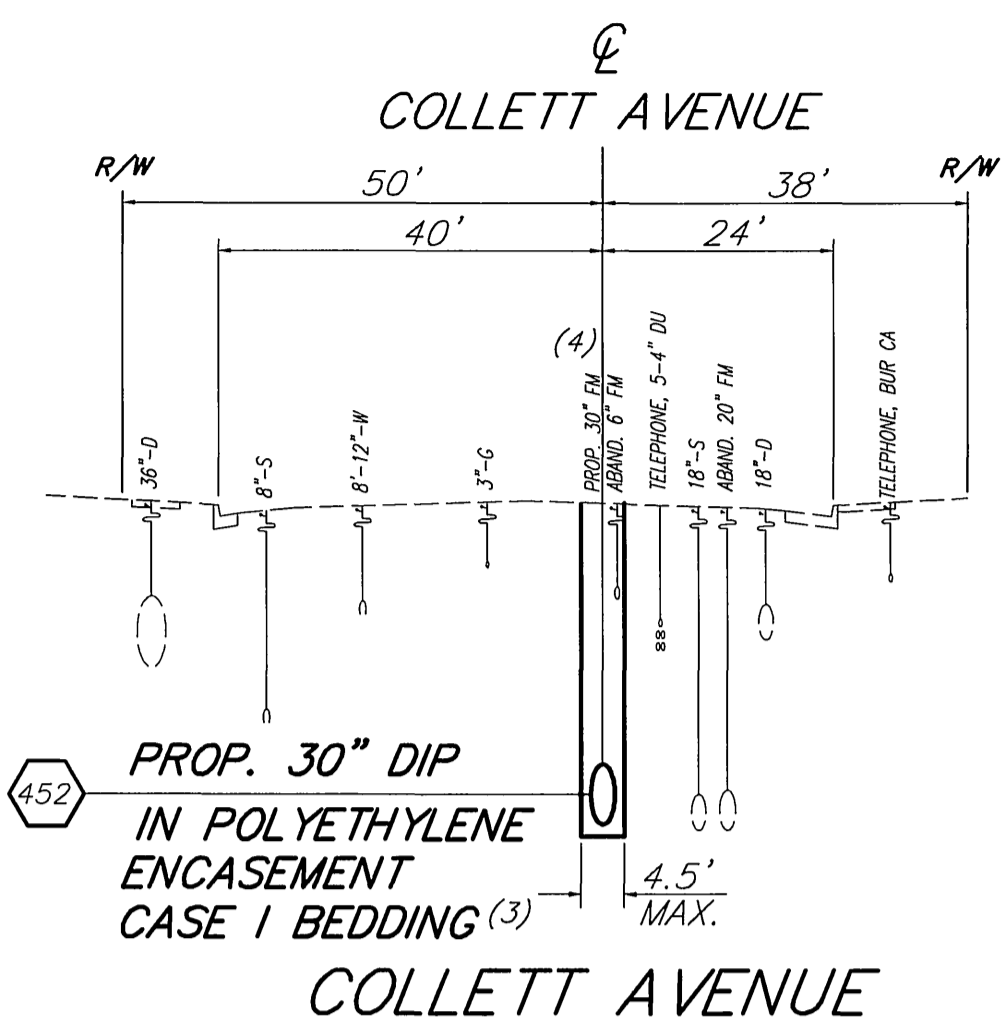
**LA SIERRA AREA
SEWER FORCE MAIN
PHASE II**
LA SIERRA AVE. TO MEGGINSON LN.

ACCT. NO. 9771623203-44030109
S-1827
SHEET 1 OF 10



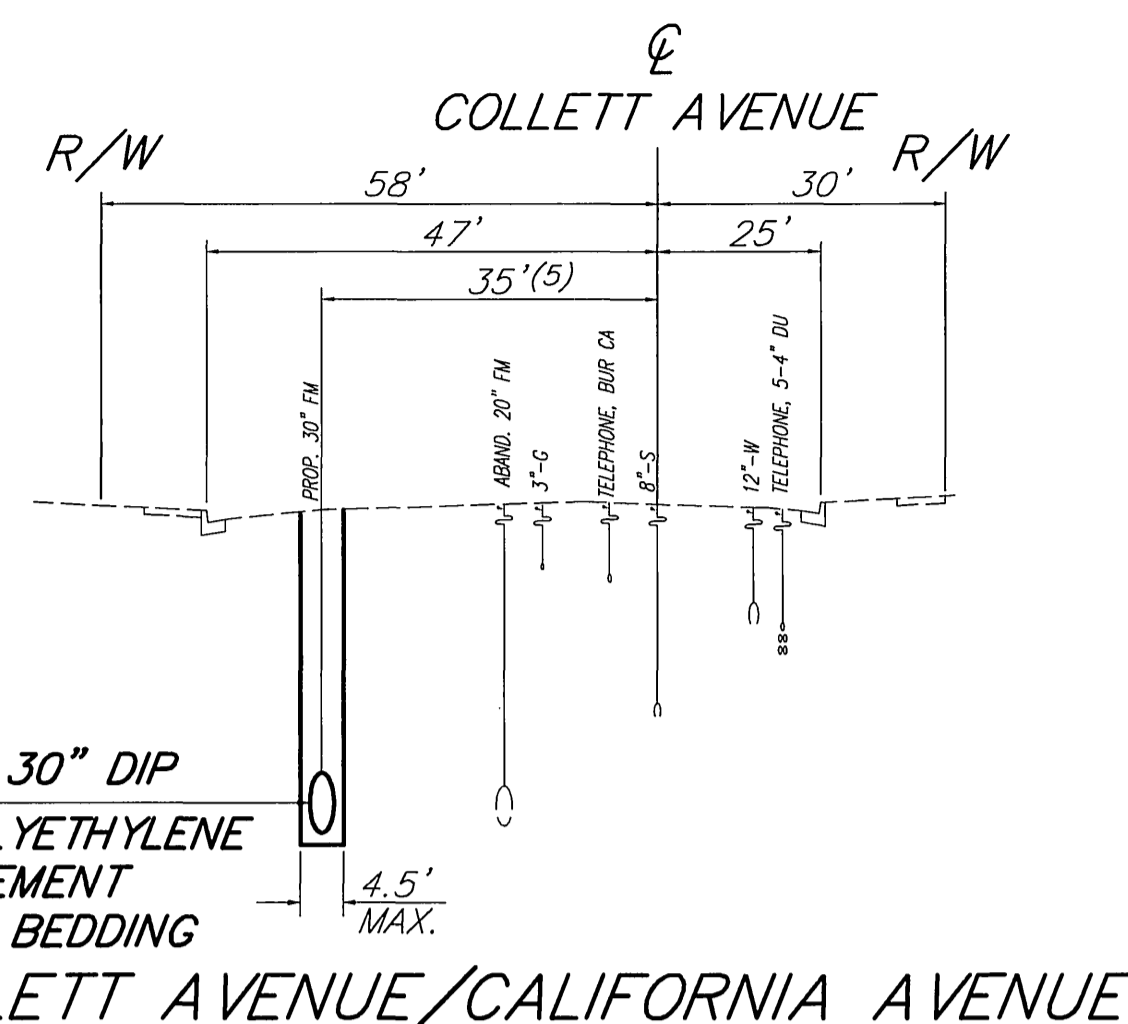
COLLETT AVENUE
SEWER STA. 79+46.35 TO 89+16.54 EC

- (1) CONST. CASE III BEDDING FROM STA. 79+93 TO 81+60
- (2) VARIES FROM 10' LT. TO C. COLLETT FROM STA. 87+75.00 BC TO 89+16.54 EC



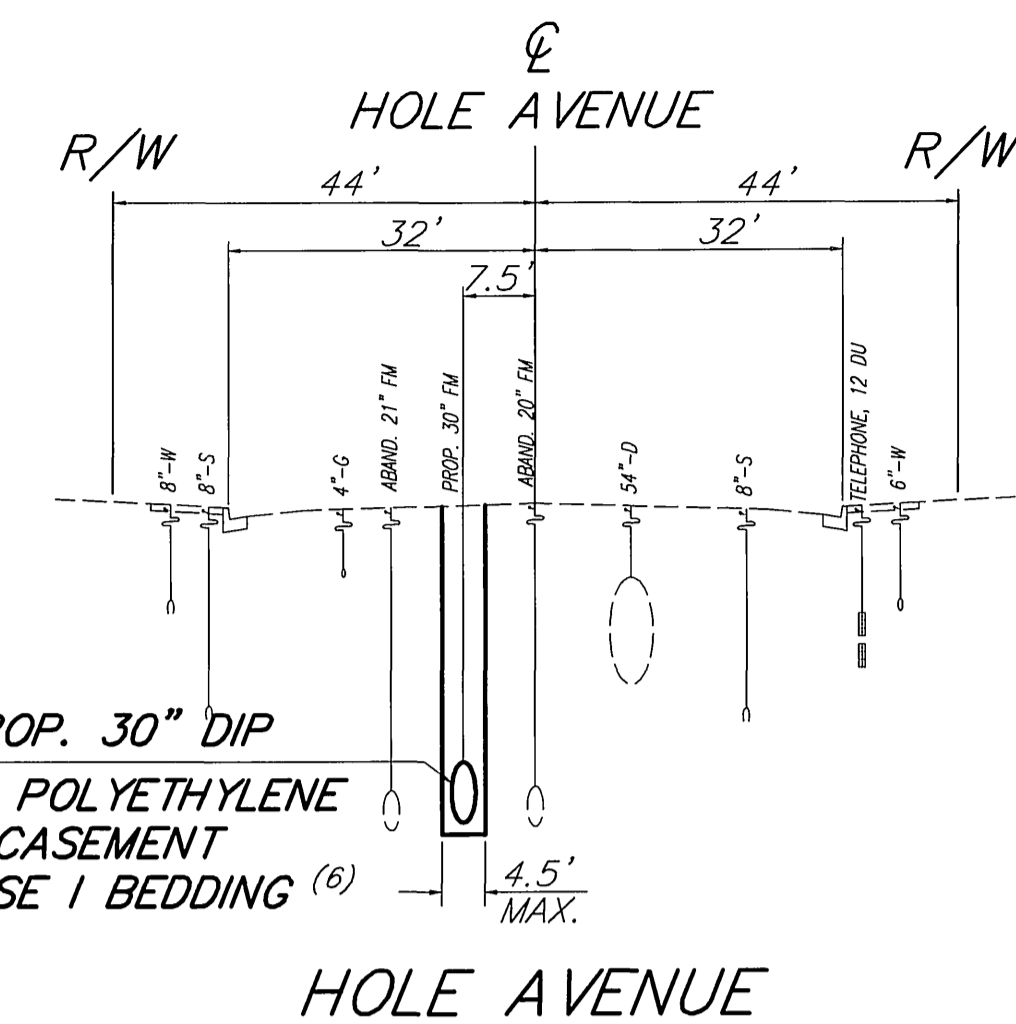
COLLETT AVENUE
SEWER STA. 89+16.54 EC TO 97+87.68 EC

- (3) CONST. CASE III BEDDING FROM STA. 79+93 TO 81+60
- (4) SEWER VARIES FROM C. COLLETT TO 35' LT. FROM STA. 94+97.19 BC TO 97+87.68 EC



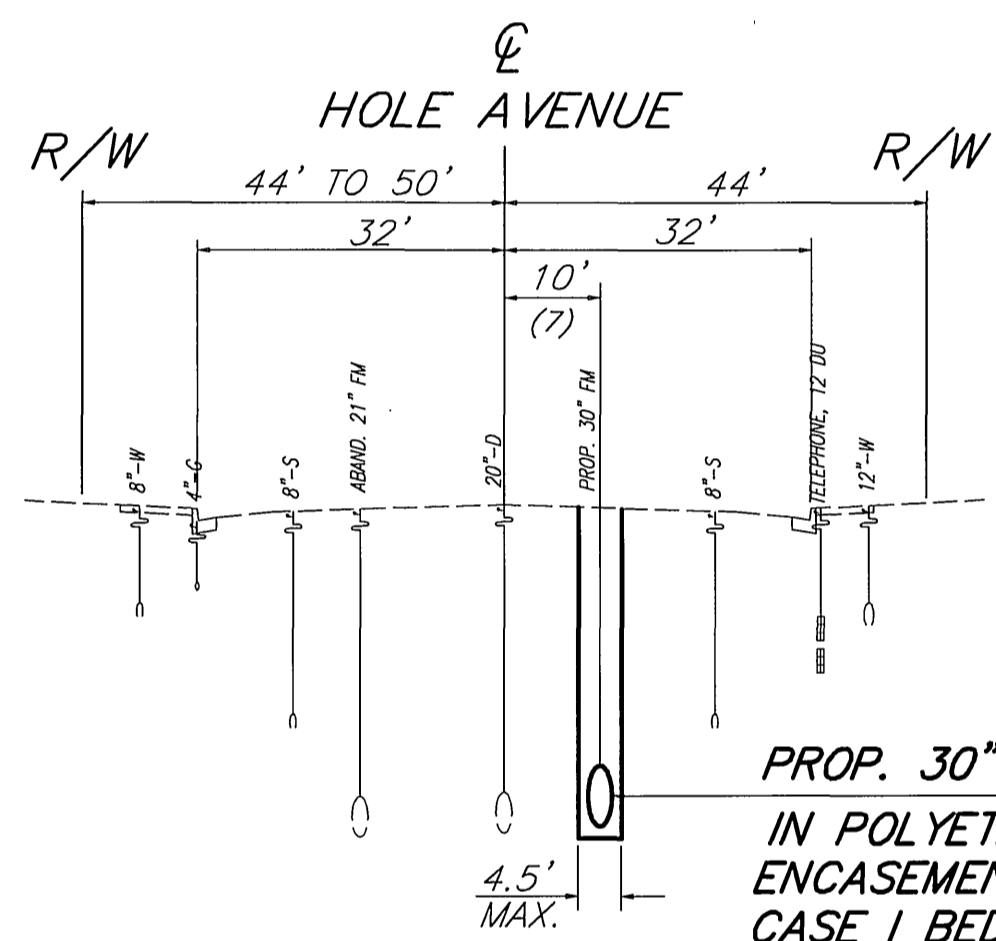
COLLETT AVENUE/CALIFORNIA AVENUE
SEWER STA. 97+87.71 EC TO 110+49.26 EC

- (5) SEWER IS 35' LT. OF C. COLLETT AVE. AND 21' LT. OF C. CALIFORNIA AVE.



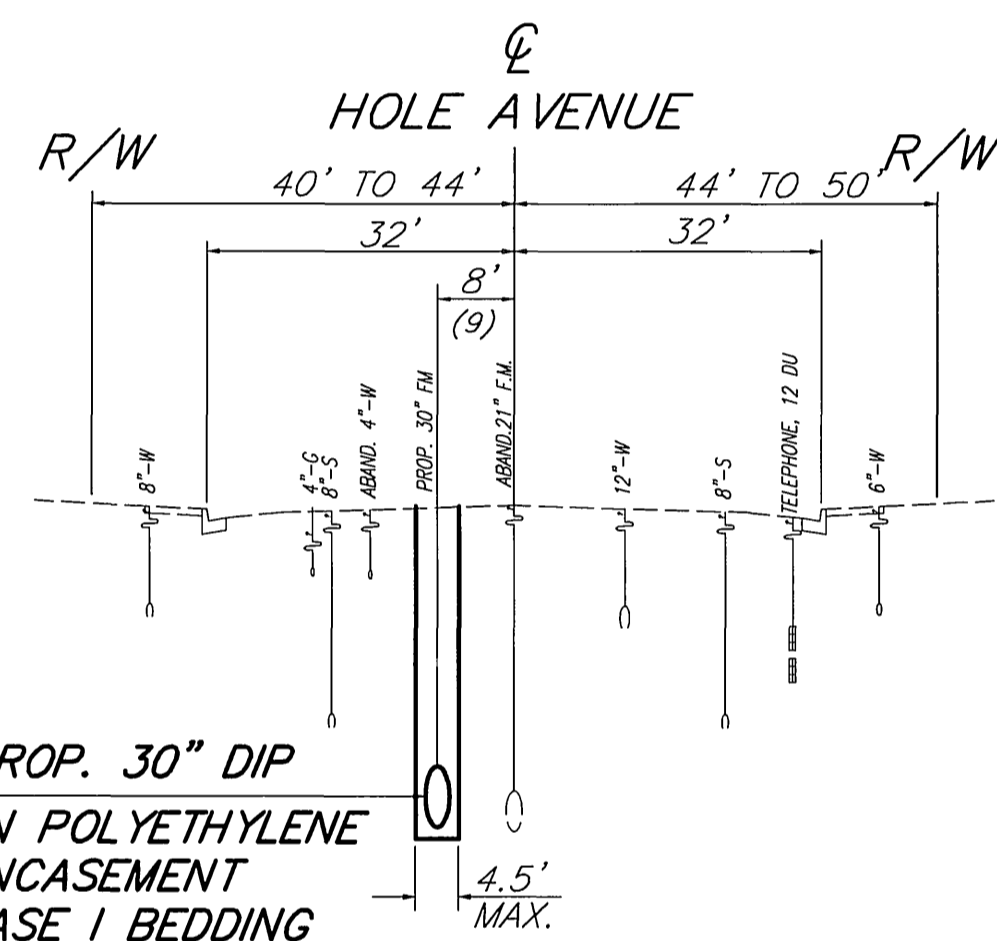
HOLE AVENUE
SEWER STA. 111+93.66 PI TO 129+60.00 BC

- (6) PRESSURE CLASS 200 FROM STA. 120+00 TO STA 125+00 AND PRESSURE CLASS 150 WITH CASE III BEDDING FROM 125+00 TO 129+60



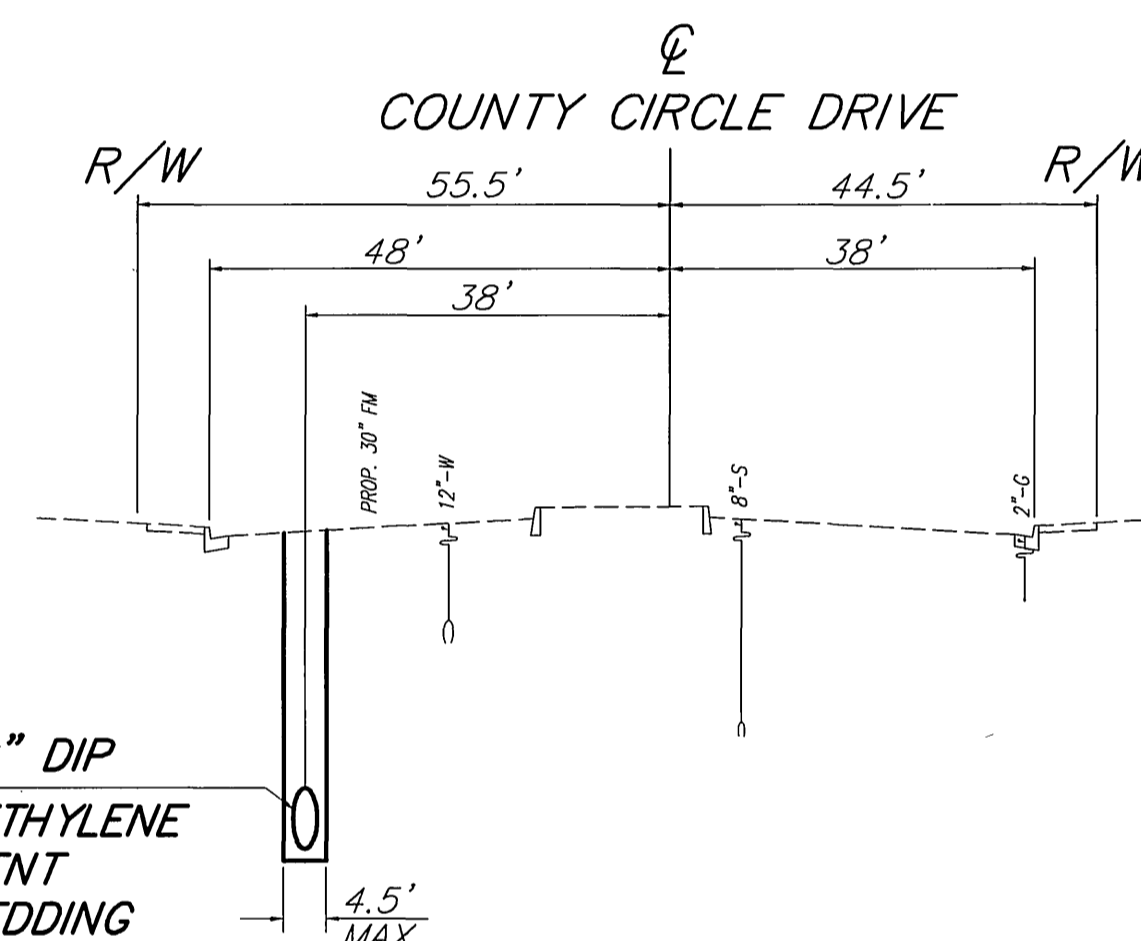
HOLE AVENUE
SEWER STA. 129+60.00 BC TO 143+80.00 BC

- (7) VARIES FROM 7.5' LT. TO 10' RT. FROM STA. 129+60.00 BC TO STA. 131+47.36 EC
- (8) PRESSURE CLASS 150 WITH CASE III BEDDING STA. 129+60.00 BC TO STA. 131+47.36 EC AND PRESSURE CLASS 200 FROM 131+47.36 EC TO STA. 133+00

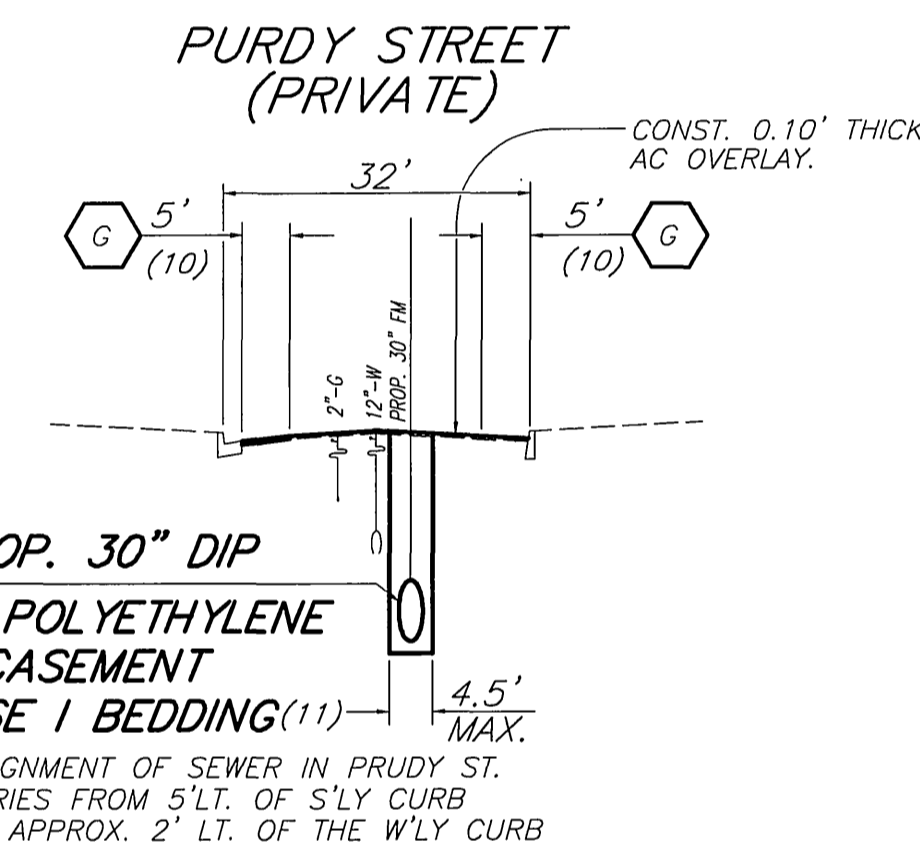


HOLE AVENUE
SEWER STA. 143+80.00 BC TO 152+17.80 PI

- (9) VARIES FROM 10' RT. TO 8' LT. FROM STA. 143+80.00 BC TO STA. 145+70.04 EC



COUNTY CIRCLE DRIVE
SEWER STA. 152+17.80 PI TO 156+15.33 PI



PURDY STREET
SEWER STA. 156+15.33 PI TO 168+13.92

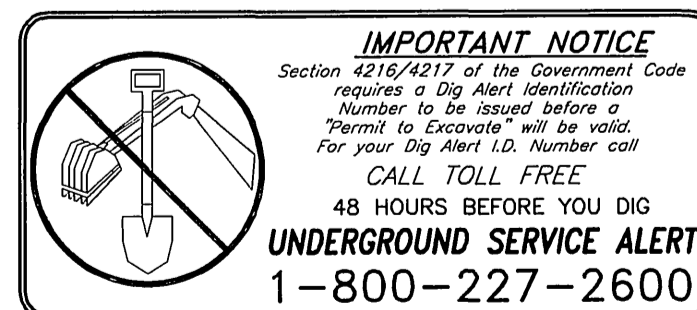
- (10) WHERE EDGE OF TRENCH IS 5' OR LESS FROM EDGE OF CURB OR GUTTER, REMOVE & REPLACE PAVEMENT BETWEEN THE EDGE OF TRENCH AND CURB OR GUTTER WITH SAME PAVEMENT SECTION AS ADJACENT PERMANENT TRENCH REPLACEMENT (PER STANDARD DRAWING 453, NOTE 1) PRIOR TO OVERLAY.
- (11) 30" VCP, CASE I BEDDING FROM STA. 164+25.58 TO STA. 168+13.92

LA SIERRA AREA SEWER FORCE MAIN TYPICAL SECTIONS OF PROPOSED 30" DUCTILE IRON PIPE

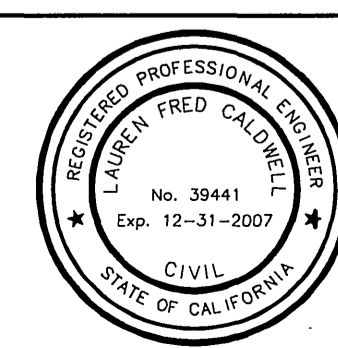
SCALE - HORIZ.: 1" = 20'
VERT.: 1" = 8'

CONSTRUCTION NOTES

1. TRENCH BACKFILL AND PERMANENT TRENCH RESURFACING SHALL BE PER STANDARD DRAWING 453.
2. AFTER COMPLETION OF SEWER CONSTRUCTION AND REPLACEMENT OF SURFACE IMPROVEMENTS, PURDY STREET SHALL RECEIVE AN AC OVERLAY AS SHOWN IN THE TYPICAL SECTION HEREON AND WITHIN THE LIMITS SHOWN ON SHEET 10.
3. PIPE BEDDING SHALL BE PER STD. DWG. 452, CASE I, UNLESS OTHERWISE SHOWN ON THE PLANS.
4. DUCTILE IRON PIPE SHALL BE PRESSURE CLASS 150, UNLESS OTHERWISE SHOWN ON THE PLANS.



ENGINEER IN RESPONSIBLE CHARGE
Lauren F. Caldwell
LAUREN F. CALDWELL
R.C.E. No. 39441 expires 12/31/2007
DATE 11/17/2006



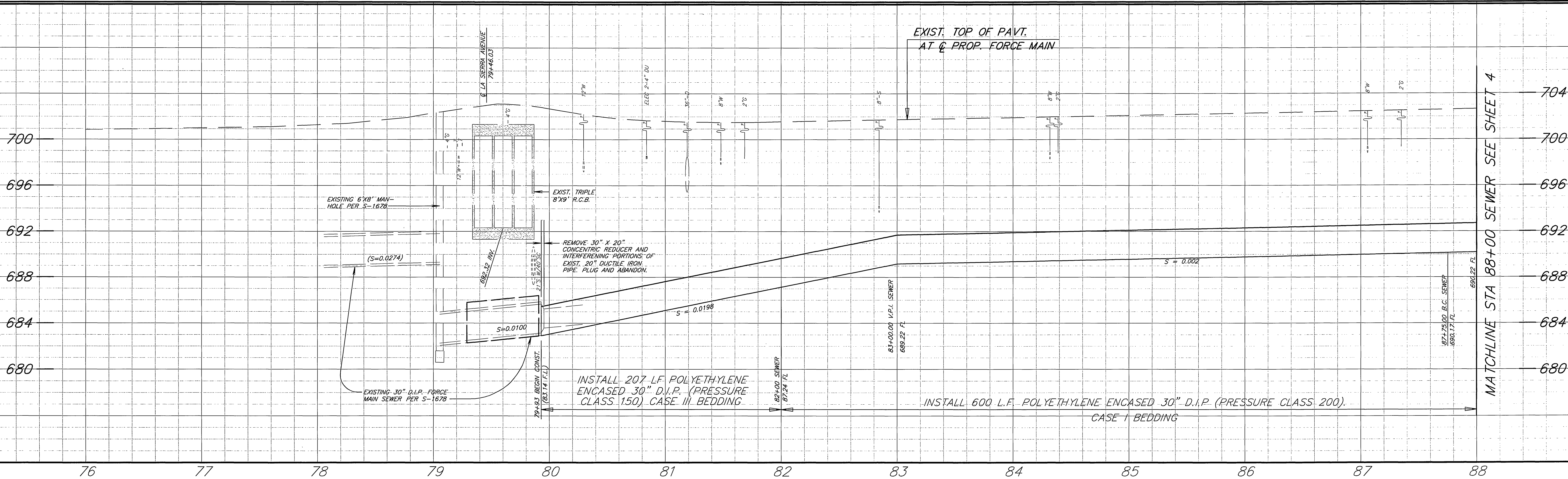
MARK	REVISIONS	APPR.	DATE
DESIGNED BY: SK	DRAWN BY: SK	CHECKED BY:	

CITY OF RIVERSIDE, CALIFORNIA
PUBLIC WORKS DEPARTMENT

APPROVED BY:	BY:	DATE:	APPROVED BY:	BY:	DATE:
PRINCIPAL ENGINEER	<i>[Signature]</i>	11/17/06	CITY ENGINEER	<i>[Signature]</i>	11/17/06
CONTRACT ADMINISTRATOR	<i>[Signature]</i>	11/17/06			
STREET SERVICES					
SURVEYOR	CS	11/13/06			
TRAFFIC DIVISION					
PARKS DEPARTMENT					

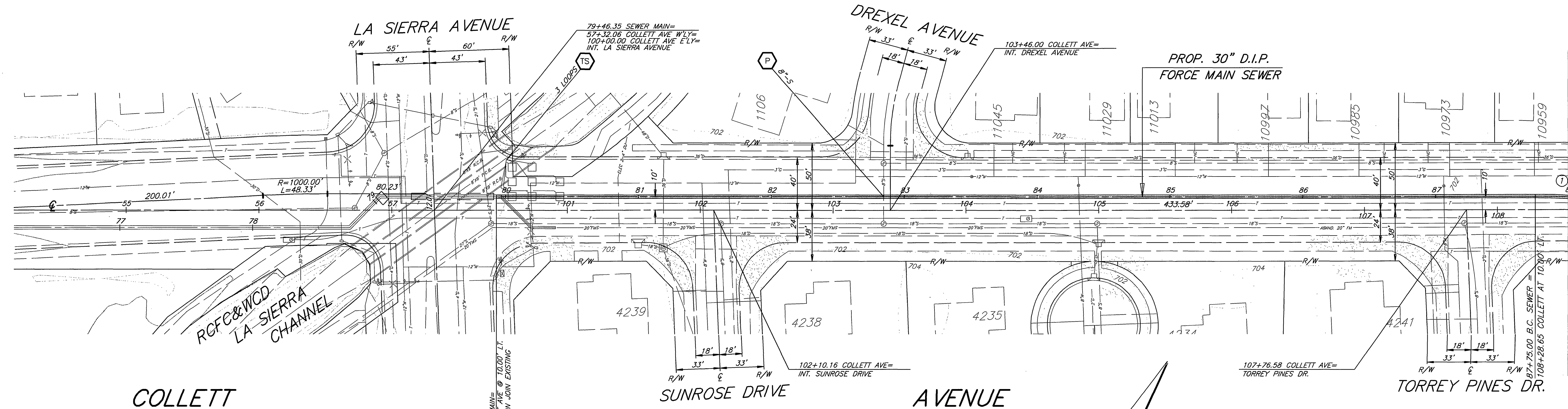
LA SIERRA AREA SEWER
FORCE MAIN PHASE II
LA SIERRA AVE. TO MEGGINSON LN.
TYPICAL TRENCH SECTIONS
HORIZ. SCALE: 1" = 20' VERT. SCALE: 1" = 8'

ACCT. NO. 9771623203-44030109
S-1827
SHEET 2 OF 10



MATCHLINE STA 88+00 SEWER SEE SHEET 4

BENCHMARK F2-S2
 P.K. NAIL & CITY ENGINEER TAG IN THE CENTER OF THE MOST SOUTHERLY CURB RETURN AT LA SIERRA AVENUE AND COLLETT AVENUE. ELEV. 702.248



MATCH SHEET 3
 STA 88+00 SEWER

CONSTRUCTION LEGEND:

- PROTECT IN PLACE.
- CONSTRUCT THRUST BLOCK PER DETAIL, SHEET 1
- INSTALL TRAFFIC SIGNAL DETECTOR LOOPS.
- CONTRACTOR SHALL EXPOSE THE INDICATED UTILITY AND ALLOW THE CITY SURVEYOR TO DETERMINE THE LOCATION AND ELEVATION OF THE INDICATED UTILITY. ALL UTILITIES INDICATED TO BE POTHOLED SHALL BE EXPOSED AND THEIR ELEVATIONS DETERMINED PRIOR TO THE ISSUANCE OF GRADE SHEETS.

CURVE DATA				
STATION	Δ	R	L	T
1	8°06'35"	500'	70.77'	35.44'

ENGINEER IN CHARGE
 RESPONSIBLE CHARGE
 LAUREN F. CALDWELL
 R.C.E. No. 39441 expires 12/31/2007
 DATE 1/19/2006

MARK	REVISIONS	APPR.	DATE

CITY OF RIVERSIDE, CALIFORNIA
 PUBLIC WORKS DEPARTMENT

APPROVED BY:

PRINCIPAL ENGINEER: Lauren Caldwell
 CONTRACT ADMINISTRATOR:

DATE: 1/19/06

LA SIERRA AREA SEWER FORCE MAIN PHASE II
 LA SIERRA AVE. TO MEGGINSON LN.

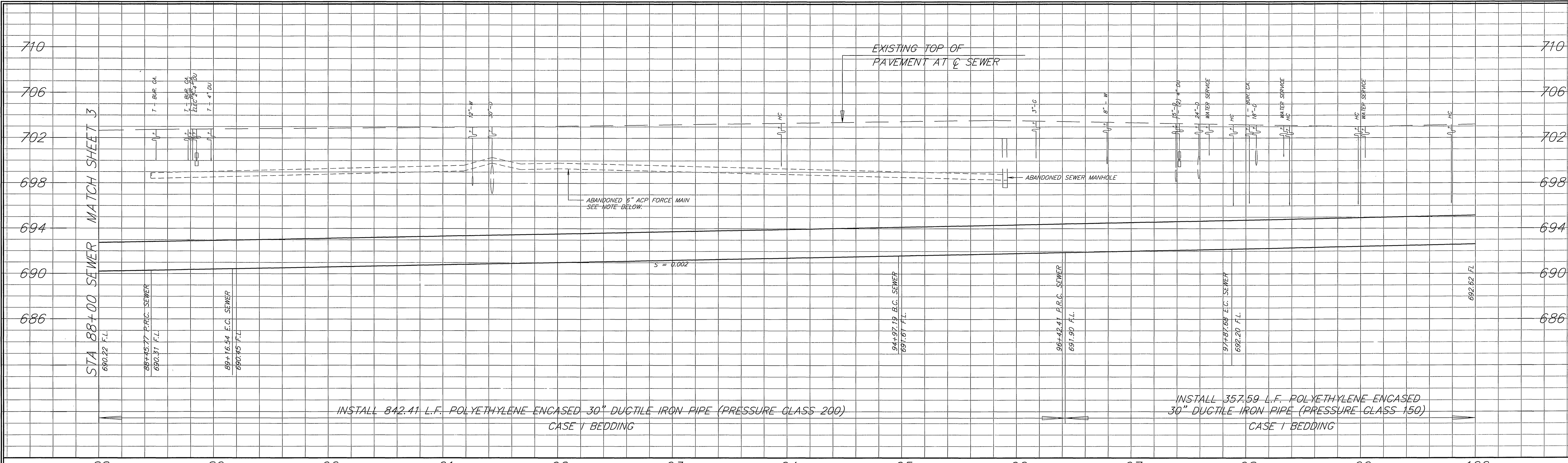
ACCT. NO. 9771623203-44030109

S-1827

SHEET 3 OF 10

HORIZ. SCALE: 1" = 40' VERT. SCALE: 1" = 4'

IMPORTANT NOTICE
 Section 4216/4217 of the Government Code requires a Dig Alert identification Number to be issued before a "Plumb to Excavate" will be made. For your Dig Alert I.D. Number call CALL TOLL FREE 48 HOURS BEFORE YOU DIG UNDERGROUND SERVICE ALERT 1-800-227-2600



710
706
702
698
694
690
686

STA 88+00 SEWER MATCH SHEET 3

INSTALL 842.41 L.F. POLYETHYLENE ENCASED 30" DUCTILE IRON PIPE (PRESSURE CLASS 200) CASE 1 BEDDING

INSTALL 357.59 L.F. POLYETHYLENE ENCASED 30" DUCTILE IRON PIPE (PRESSURE CLASS 150) CASE 1 BEDDING

686.22 F.L.
690.22 F.L.
687.45.77 P.R.C. SEWER= 690.31 F.L.
689.16.54 E.C. SEWER= 690.45 F.L.
694.97.19 B.C. SEWER= 691.01 F.L.
96+42.41 E.C. SEWER= 691.90 F.L.
97+87.68 E.C. SEWER= 692.20 F.L.
692.82 F.L.

S = 0.002

ABANDONED 6" ACP FORCE MAIN SEE NOTE BELOW.

ABANDONED SEWER MANHOLE

EXISTING TOP OF PAVEMENT AT Q SEWER

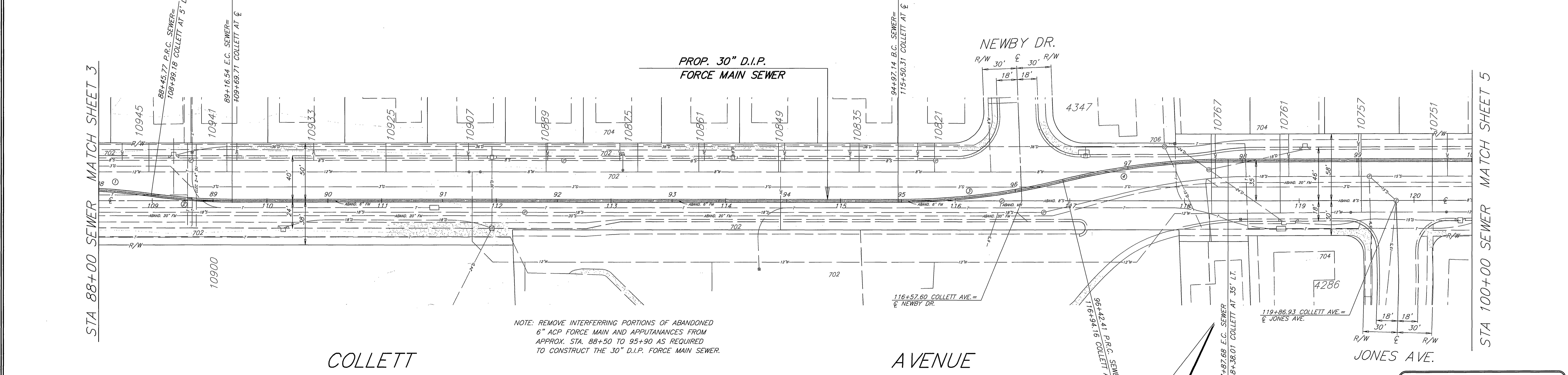
7" BUR. CA
1" BUR. CA
T + 4" DU

18" W
18" W

3" C
8" W

18" W
18" W
18" W
18" W
18" W
18" W

WATER SERVICE
WATER SERVICE
WATER SERVICE
WATER SERVICE
WATER SERVICE



88 89 90 91 92 93 94 95 96 97 98 99 100

BENCHMARK F2-K3
P.K. NAIL & CITY ENGINEER TAG IN THE MOST WESTERLY CURB RETURN AT COLLETT AVENUE AND POLK STREET. ELEV. 705.060

10945
10941
10933
10925
10907
10889
10875
10861
10849
10835
10821
4347
10767
704 10761
10757
10751

NEWBY DR.
R/W 30' E 30' R/W

COLLETT AVENUE

JONES AVE.

116+57.60 COLLETT AVE. = Q NEWBY DR.

96+42.41 P.R.C. SEWER= 116+24.16 COLLETT AT 17.5' LT.

97+87.68 E.C. SEWER 118+38.01 COLLETT AT 35' LT.

119+86.93 COLLETT AVE. = Q JONES AVE.

NOTE: REMOVE INTERFERING PORTIONS OF ABANDONED 6" ACP FORCE MAIN AND APPURTANANCES FROM APPROX. STA. 88+50 TO 95+90 AS REQUIRED TO CONSTRUCT THE 30" D.I.P. FORCE MAIN SEWER.

10900

CONSTRUCTION LEGEND:

PIP PROTECT IN PLACE.

TB CONSTRUCT THRUST BLOCK PER DETAIL, SHEET 1.

TS INSTALL TRAFFIC SIGNAL DETECTOR LOOPS.

P CONTRACTOR SHALL EXPOSE THE INDICATED UTILITY AND ALLOW THE CITY SURVEYOR TO DETERMINE THE LOCATION AND ELEVATION OF THE INDICATED UTILITY. ALL UTILITIES INDICATED TO BE POTHOLED SHALL BE EXPOSED AND THEIR ELEVATIONS DETERMINED PRIOR TO THE ISSUANCE OF GRADE SHEETS.

CURVE DATA				
Curve No.	Radius (R)	Length (L)	Delta (Δ)	Tangent (T)
1	8'06"35"	500'	70.77'	35.44'
2	8'06"35"	500'	70.77'	35.44'
3	13'52"20"	600'	145.27'	72.99'
4	13'52"20"	600'	145.27'	72.99'

ENGINEER IN RESPONSIBLE CHARGE
Lauren F. Caldwell
 LAUREN F. CALDWELL
 R.C.E. No. 39441 expires 12/31/2007
 DATE 1/17/2006

REGISTERED PROFESSIONAL ENGINEER
 LAUREN F. CALDWELL
 No. 39441
 Exp. 12-31-2007
 CIVIL
 STATE OF CALIFORNIA

CITY OF RIVERSIDE, CALIFORNIA
 PUBLIC WORKS DEPARTMENT

APPROVED BY: [Signature]
 DATE: 1/13/06
 CONTRACT ADMINISTRATOR: [Signature]
 DATE: 1/13/06
 SURVEYOR: [Signature]
 DATE: 1/13/06
 TRAFFIC DIVISION
 PARKS DEPARTMENT

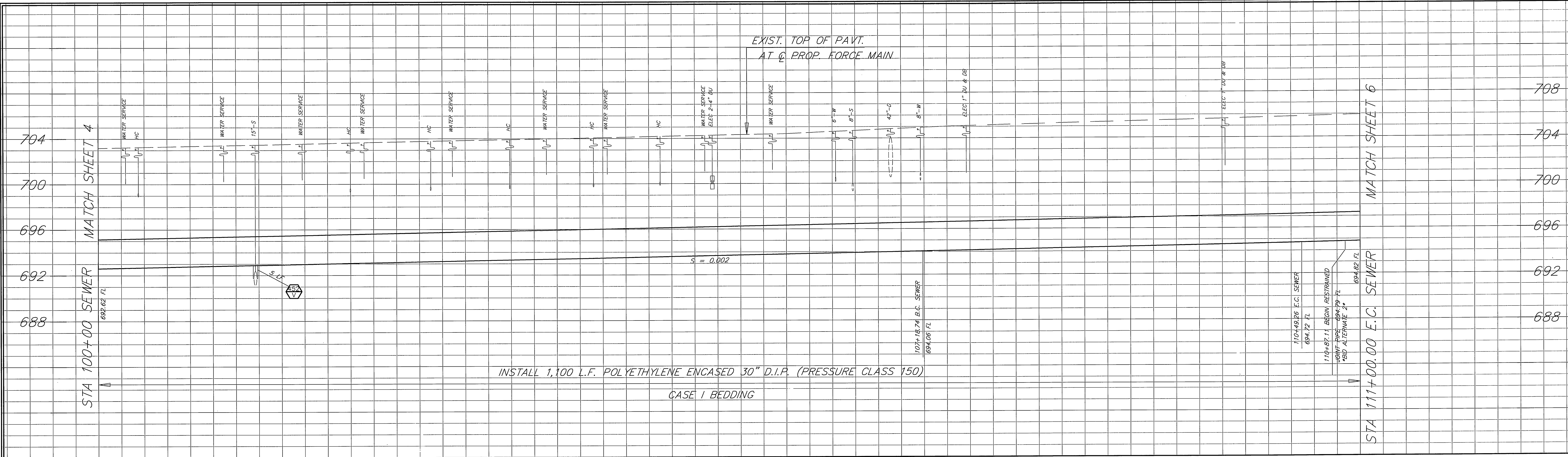
DESIGNED BY: SK DRAWN BY: SK CHECKED BY:

LA SIERRA AREA
 SEWER FORCE MAIN
 PHASE II
 LA SIERRA AVE. TO MEGGINSON LN.

ACCT. NO. 9771623203-44030109
 S-1827
 SHEET 4 OF 10

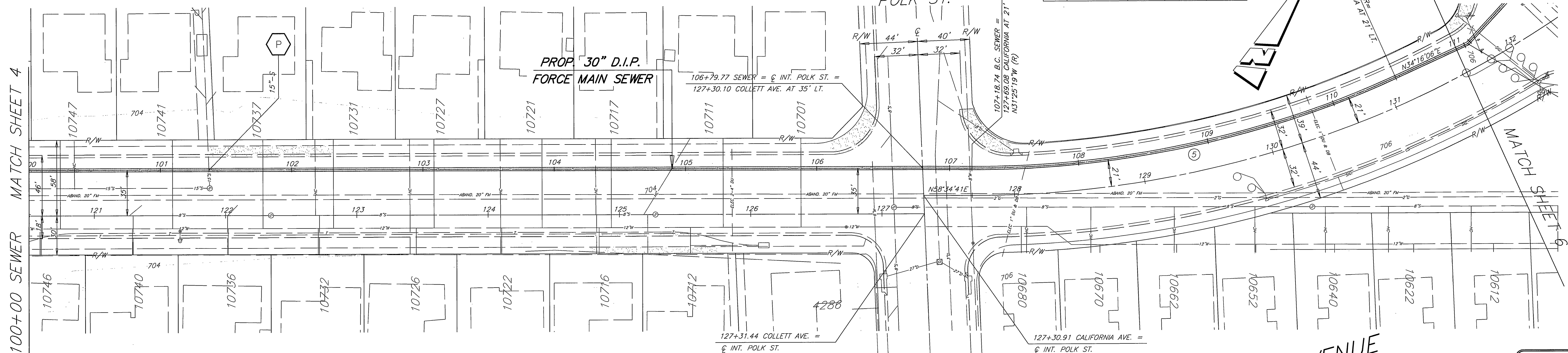
HORIZ. SCALE: 1" = 40' VERT. SCALE: 1" = 4'

IMPORTANT NOTICE
 Section 4216/4217 of the Government Code requires a Dig Alert Identification Number to be issued before a Permit to Excavate will be valid. For your Dig Alert I.D. Number call CALL TOLL FREE 48 HOURS BEFORE YOU DIG UNDERGROUND SERVICE ALERT 1-800-227-2600



BENCHMARK F2-K3
 P.K. NAIL & CITY ENGINEER TAG IN THE MOST
 WESTERLY CURB RETURN AT COLLETT AVENUE
 AND POLK STREET.
 ELEV. 705.060

CURVE DATA				
Station	Angle	R	L	T
5	24°18'35"	779'	330.52'	167.78'



CONSTRUCTION LEGEND:

- PROTECT IN PLACE.
- CONSTRUCT THRUST BLOCK PER DETAIL, SHEET 1
- INSTALL TRAFFIC SIGNAL DETECTOR LOOPS.
- CONTRACTOR SHALL EXPOSE THE INDICATED UTILITY AND ALLOW THE CITY SURVEYOR TO DETERMINE THE LOCATION AND ELEVATION OF THE INDICATED UTILITY. ALL UTILITIES INDICATED TO BE POTHOLED SHALL BE EXPOSED AND THEIR ELEVATIONS DETERMINED PRIOR TO THE ISSUANCE OF GRADE SHEETS.

IMPORTANT NOTICE
 Section 471421.7 of the Government Code
 requires a Dig Alert Identification
 Number to be issued before a
 "Permit to Excavate" will be valid.
 For your Dig Alert ID, Number call
 CALL TOLL FREE
 48 HOURS BEFORE YOU DIG
UNDERGROUND SERVICE ALERT
 1-800-227-2600

ENGINEER IN RESPONSIBLE CHARGE

 LAUREN F. CALDWELL
 R.C.E. No. 39441 expires 12/31/2007
 DATE 11/2/2006



MARK	REVISIONS	APPR.	DATE
SK			

CITY OF RIVERSIDE, CALIFORNIA
 PUBLIC WORKS DEPARTMENT

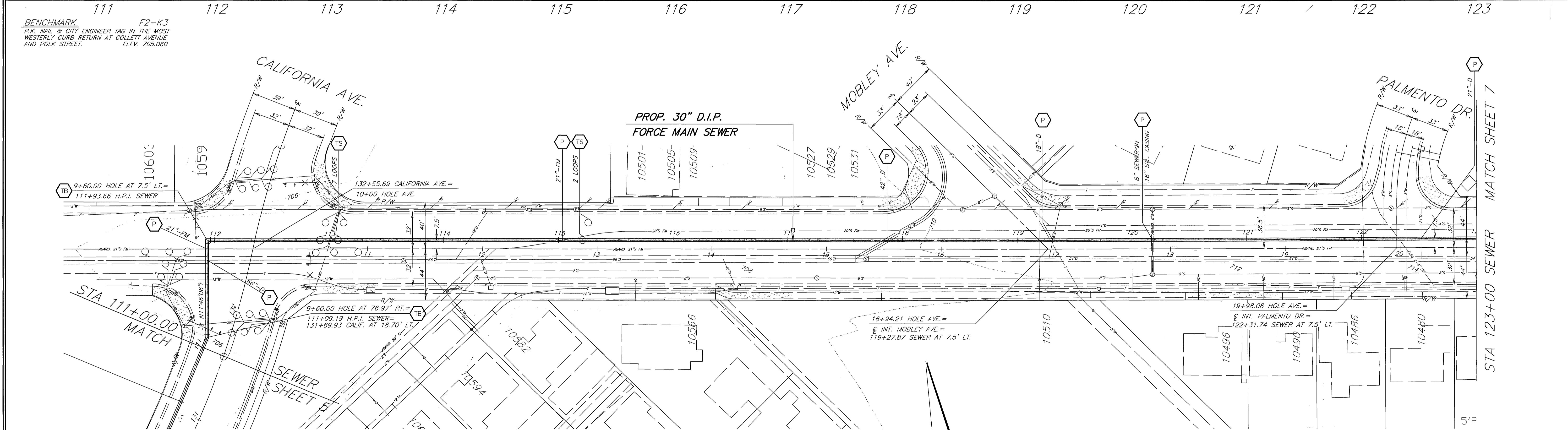
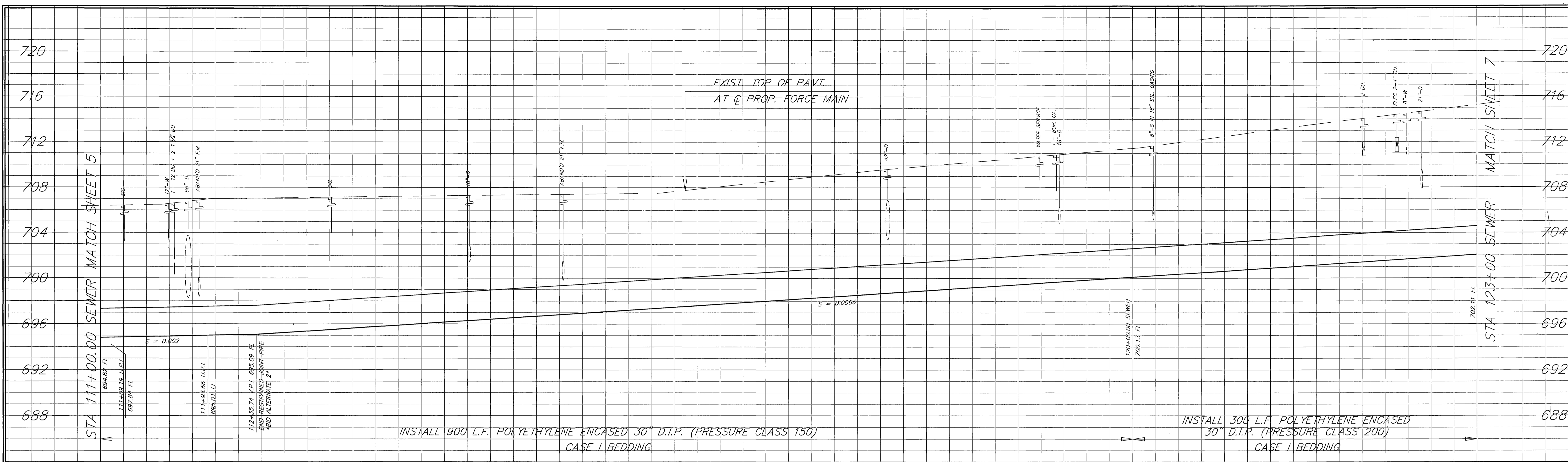
APPROVED BY	BY	DATE	APPROVED BY
PRINCIPAL ENGINEER		11/2/06	CITY ENGINEER
CONTRACT ADMINISTRATOR			
STREET SERVICES			
SURVEYOR	CS	11/3/06	
TRAFFIC DIVISION			
PARKS DEPARTMENT			

LA SIERRA AREA SEWER FORCE MAIN PHASE II
 LA SIERRA AVE. TO MEGGINSON LN.

ACCT. NO. 9771623203-44030109
S-1827
 SHEET 5 OF 10

HORIZ. SCALE: 1" = 40' VERT. SCALE: 1" = 4'

INDEXED 1-23-06 *lfd*



CONSTRUCTION LEGEND:

- PROTECT IN PLACE.
- CONSTRUCT THRUST BLOCK PER DETAIL, SHEET 1.
- INSTALL TRAFFIC SIGNAL DETECTOR LOOPS.
- CONTRACTOR SHALL EXPOSE THE INDICATED UTILITY AND ALLOW THE CITY SURVEYOR TO DETERMINE THE LOCATION AND ELEVATION OF THE INDICATED UTILITY. ALL UTILITIES INDICATED TO BE POTHOLED SHALL BE EXPOSED AND THEIR ELEVATIONS DETERMINED PRIOR TO THE ISSUANCE OF GRADE SHEETS.

IMPORTANT NOTICE
 Section 4216/4217 of the Government Code requires a Dig Alert identification Number to be issued before a permit to Excavate will be valid. For your Dig Alert I.D. Number call CALL TOLL FREE 48 HOURS BEFORE YOU DIG UNDERGROUND SERVICE ALERT 1-800-227-2600

ENGINEER IN RESPONSIBLE CHARGE
 LAUREN F. CALDWELL
 R.C.E. No. 39441 expires 12/31/2007
 DATE 11/17/2006

REGISTERED PROFESSIONAL ENGINEER
 LAUREN F. CALDWELL
 No. 39441
 Exp. 12-31-2007
 CIVIL
 STATE OF CALIFORNIA

MARK	REVISIONS	APPR.	DATE

**CITY OF RIVERSIDE, CALIFORNIA
 PUBLIC WORKS DEPARTMENT**

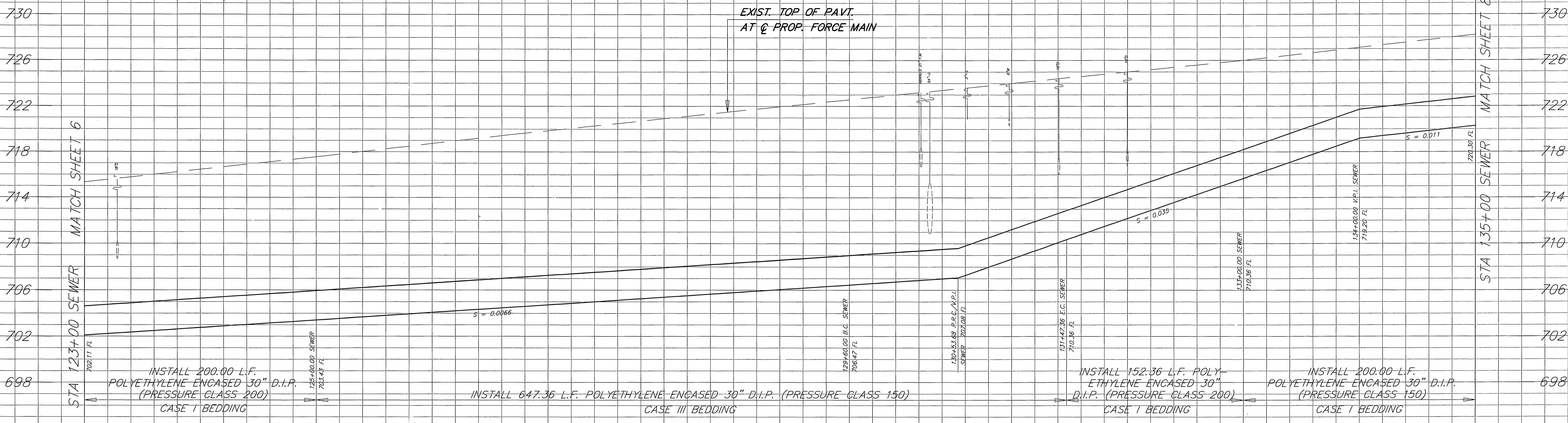
APPROVED BY	BY	DATE	APPROVED BY
PRINCIPAL ENGINEER		11/17/06	
CONTRACT ADMINISTRATOR		11/17/06	CITY ENGINEER
SURVEYOR		11/15/06	DATE 11/16/06
TRAFFIC DIVISION			

**LA SIERRA AREA
 SEWER FORCE MAIN
 PHASE II
 LA SIERRA AVE. TO MEGGINSON LN.**

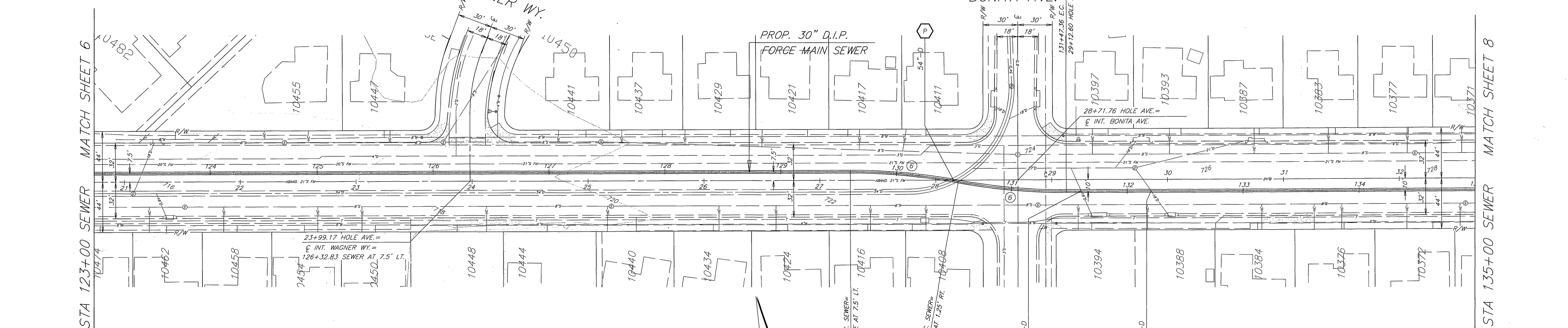
ACCT. NO. 9771623203-44030109
S-1827
 SHEET 6 OF 10

HORIZ. SCALE: 1" = 40' VERT. SCALE: 1" = 4'

INDEXED 1-23-06 LHL



BENCHMARK F3-N3
P.K. NAIL & CITY ENGINEER TAG IN THE TOP OF THE NORTHERLY CURB 45 FEET WESTERLY OF THE CENTERLINE OF BONITA AVENUE. ELEV. 722.937



CONSTRUCTION LEGEND:

- PROTECT IN PLACE.
- CONSTRUCT THRUST BLOCK PER DETAIL, SHEET 1.
- INSTALL TRAFFIC SIGNAL DETECTOR LOOPS.
- CONTRACTOR SHALL EXPOSE THE INDICATED UTILITY AND ALLOW THE CITY SURVEYOR TO DETERMINE THE LOCATION AND ELEVATION OF THE INDICATED UTILITY. ALL UTILITIES INDICATED TO BE POTHOLED SHALL BE EXPOSED AND THEIR ELEVATIONS DETERMINED PRIOR TO THE ISSUANCE OF GRADE SHEETS.

HOLE

AVENUE

CURVE DATA				
Δ	R	L	T	
6	10'44'05"	500'	93.68'	46.98'

ENGINEER IN RESPONSIBLE CHARGE

 LAUREN F. CALDWELL
 R.C.E. No. 39441 expires 12/31/2007
 DATE 11/17/2006



MARK	REVISIONS	APPR.	DATE
SK			

CITY OF RIVERSIDE, CALIFORNIA
 PUBLIC WORKS DEPARTMENT

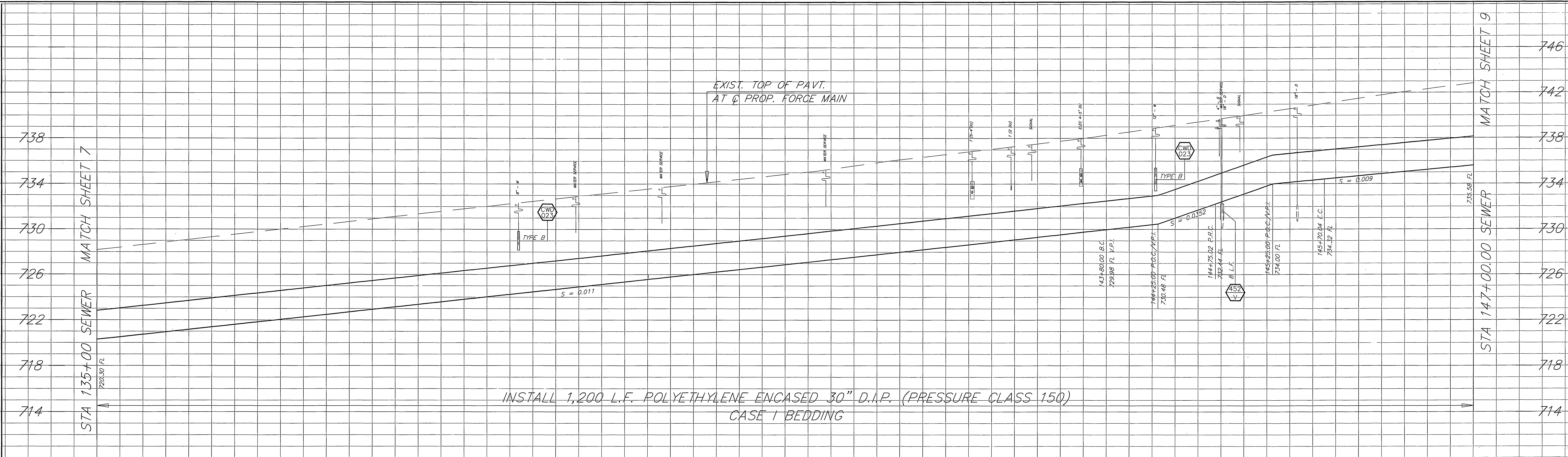
APPROVED BY:
 CONTRACT ADMINISTRATOR

APPROVED BY:
 CITY ENGINEER

LA SIERRA AREA SEWER FORCE MAIN PHASE II
 LA SIERRA AVE. TO MEGGINSON LN.

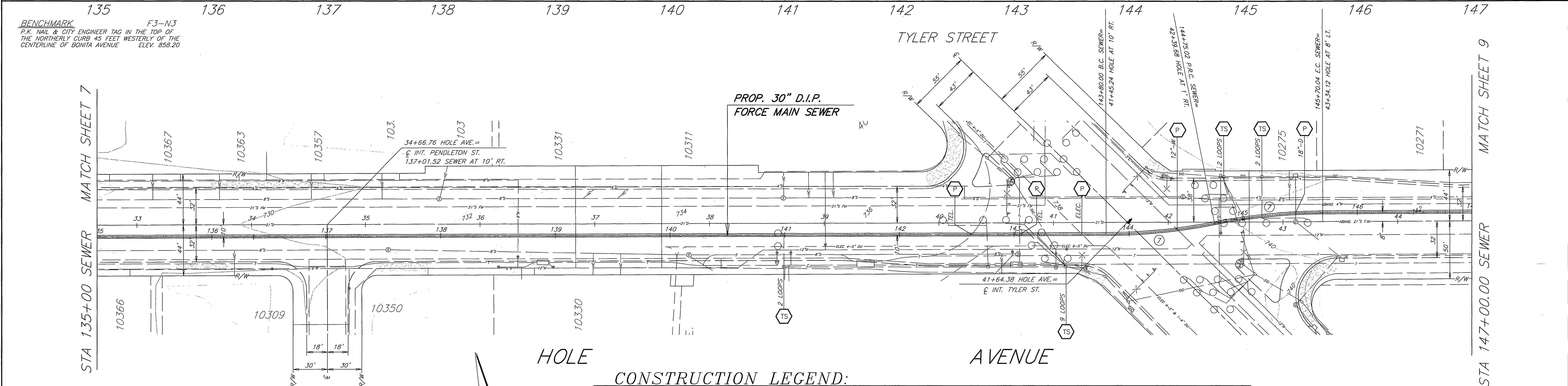
ACCT. NO. 9771623203-44030109
S-1827
 SHEET 7 of 10

IMPORTANT NOTICE
 Section 4714.4317 of the Government Code requires a Dig Alert Identification Number to be issued before a "Permit to Excavate" will be valid. For your Dig Alert ID Number call CALL TOLL FREE 48 HOURS BEFORE YOU DIG UNDERGROUND SERVICE ALERT 1-800-227-2600



INSTALL 1,200 L.F. POLYETHYLENE ENCASED 30" D.I.P. (PRESSURE CLASS 150)
CASE 1 BEDDING

BENCHMARK
F3-N3
P.K. NAIL & CITY ENGINEER TAG IN THE TOP OF
THE NORTHERLY CURB 45 FEET WESTERLY OF THE
CENTERLINE OF BONITA AVENUE ELEV. 858.20



CONSTRUCTION LEGEND:

- PROTECT IN PLACE.
- CONSTRUCT THRUST BLOCK PER DETAIL, SHEET 1
- INSTALL TRAFFIC SIGNAL DETECTOR LOOPS.
- CONTRACTOR SHALL EXPOSE THE INDICATED UTILITY AND ALLOW THE CITY SURVEYOR TO DETERMINE THE LOCATION AND ELEVATION OF THE INDICATED UTILITY. ALL UTILITIES INDICATED TO BE POTHOLED SHALL BE EXPOSED AND THEIR ELEVATIONS DETERMINED PRIOR TO THE ISSUANCE OF GRADE SHEETS.
- CONST. P.C.C. ENCASEMENT PER PU STD DWG. CWD-023, TYPE B.

CURVE DATA				
Station	Δ	R	L	T
7	10°53'17"	500'	95.02	

ENGINEER IN RESPONSIBLE CHARGE

 LAUREN F. CALDWELL
 R.C.E. No. 39441 expires 12/31/2007
 DATE 1/17/2006

CITY OF RIVERSIDE, CALIFORNIA
PUBLIC WORKS DEPARTMENT

APPROVED BY:
 PRINCIPAL ENGINEER
 CONTRACT ADMINISTRATOR
 STREET SERVICES

DESIGNED BY: SK DRAWN BY: SK CHECKED BY:

LA SIERRA AREA SEWER FORCE MAIN PHASE II
 LA SIERRA AVE. TO MEGGINSON LN.

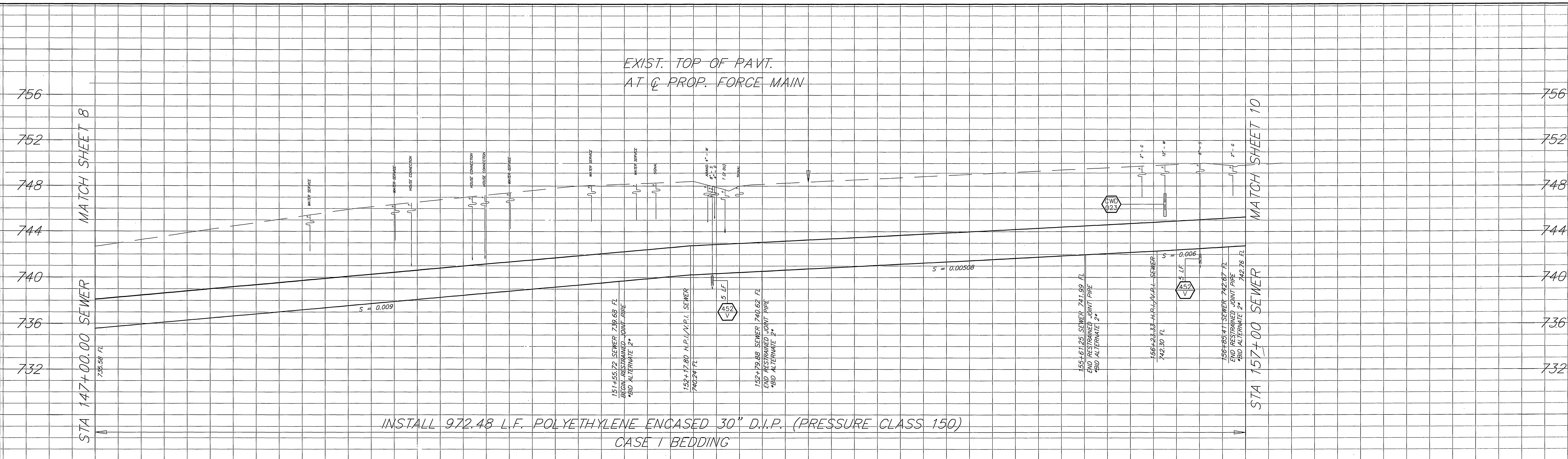
APPROVED BY:
 CITY ENGINEER

DATE: 1/16/06

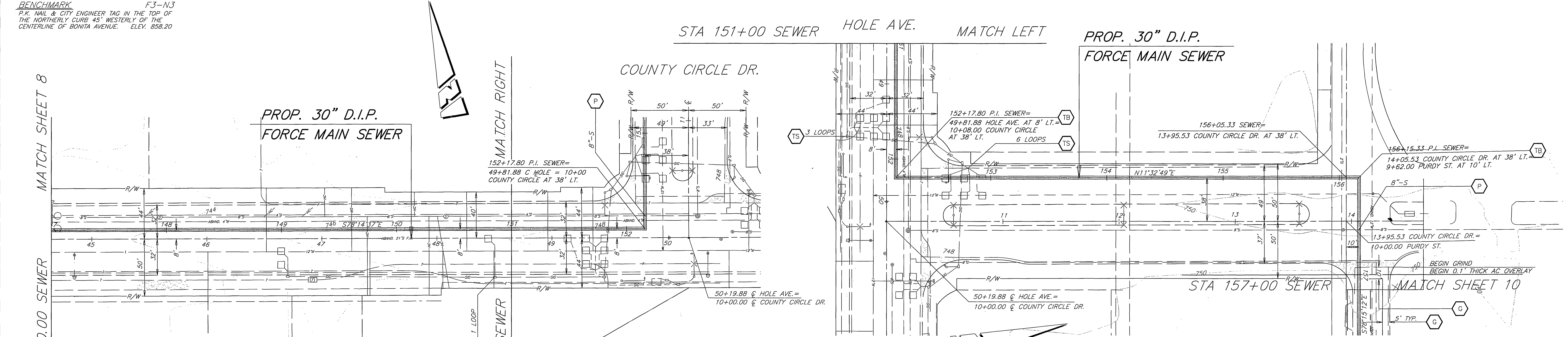
HORIZ. SCALE: 1" = 40' VERT. SCALE: 1" = 4'

ACCT. NO. 9771623203-44030109
S-1827
 SHEET 8 OF 10

IMPORTANT NOTICE
 Section 4216/4217 of the Government Code requires a Dig Alert Identification Number to be issued before a "Permit to Excavate" will be valid. For your Dig Alert I.D. Number call CALL TOLL FREE 48 HOURS BEFORE YOU DIG UNDERGROUND SERVICE ALERT 1-800-227-2600



147 148 149 150 151 152 153 154 155 156 157



CONSTRUCTION LEGEND:

- PROTECT IN PLACE.
- CONSTRUCT THRUST BLOCK PER DETAIL, SHEET 1.
- INSTALL TRAFFIC SIGNAL DETECTOR LOOPS.
- COLD MILL EXISTING A.C. 0.08' BELOW GUTTER LIP OR OUTSIDE EDGE, DAYLIGHTING IN 5'. THE SURFACE OF AREAS WITH 10' WIDE COLD MILL, SHOWN ON THE PLAN, SHALL BE STRAIGHT GRADED IN ONE PASS FROM 0.1' FROM THE OUTSIDE EDGE TO 'DAY LIGHT' AT THE INSIDE EDGE.
- CONTRACTOR SHALL EXPOSE THE INDICATED UTILITY AND ALLOW THE CITY SURVEYOR TO DETERMINE THE ELEVATION OF THE INDICATED UTILITY. ALL UTILITIES INDICATED TO BE POTHOLED SHALL BE EXPOSED AND THEIR ELEVATIONS DETERMINED PRIOR TO THE ISSUANCE OF GRADE SHEETS.
- CONST. P.C.C. ENCASEMENT PER PU STD. DWG. CWD-023, TYPE B.

IMPORTANT NOTICE
 Section 4216/4217 of the Government Code requires a Dig Alert Identification Number to be issued before a permit to excavate will be valid. For your Dig Alert I.D. Number call CALL TOLL FREE 48 HOURS BEFORE YOU DIG UNDERGROUND SERVICE ALERT 1-800-227-2600

ENGINEER IN RESPONSIBLE CHARGE
 LAUREN F. CALDWELL
 R.C.E. No. 39441 expires 12/31/2007
 DATE 1/17/2006



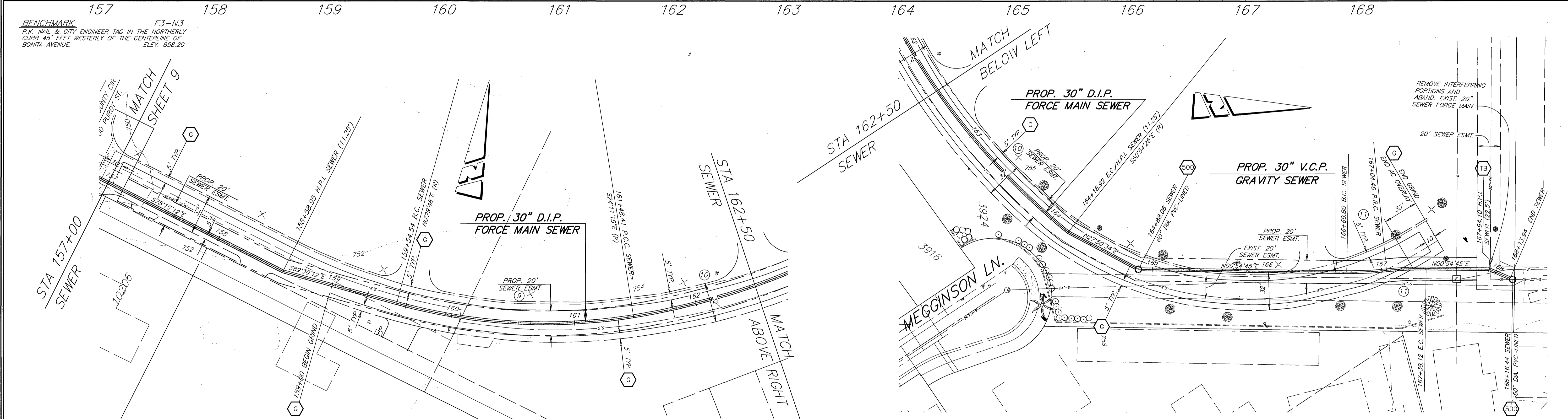
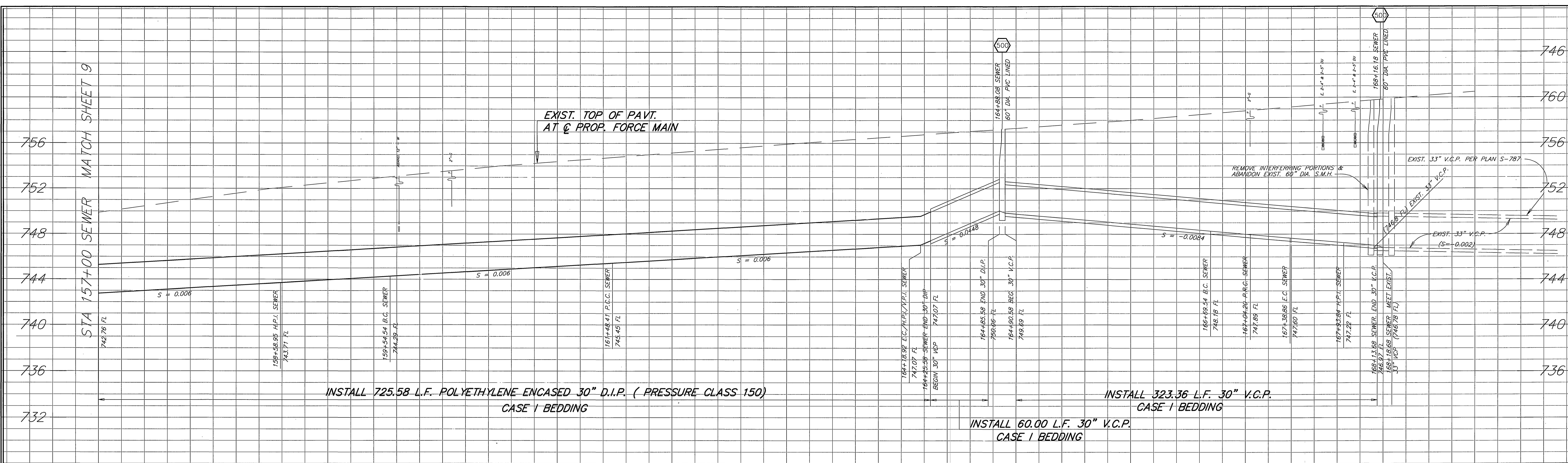
DESIGNED BY	DRAWN BY	CHECKED BY
SK	SK	

CITY OF RIVERSIDE, CALIFORNIA
 PUBLIC WORKS DEPARTMENT

APPROVED BY	BY	DATE	APPROVED BY	DATE
PRINCIPAL ENGINEER	CS	1/17/06	CS	1/17/06
CONTRACT ADMINISTRATOR				
STREET SERVICES				
SURVEYOR				
TRAFFIC DIVISION				
PARKS DEPARTMENT				

LA SIERRA AREA SEWER FORCE MAIN PHASE II
 LA SIERRA AVE. TO MEGGINSON LN.

ACCT. NO. 9771623203-44030109
S-1827
 SHEET 9 OF 10



PURDY STREET (PRIVATE)
CONSTRUCTION LEGEND:

Symbol	Description
PIP	PROTECT IN PLACE.
TB	CONSTRUCT THRUST BLOCK PER DETAIL, SHEET 1.
G	COLD MILL EXISTING A.C. 0.08' BELOW GUTTER LIP OR OUTSIDE EDGE, DAYLIGHTING IN 5'. THE SURFACE OF AREAS WITH 10" WIDE COLD MILL, SHOWN ON THE PLAN, SHALL BE STRAIGHT GRADED IN ONE PASS FROM 0.1' FROM THE OUTSIDE EDGE TO "DAY LIGHT" AT THE INSIDE EDGE.
P	CONTRACTOR SHALL EXPOSE THE INDICATED UTILITY AND ALLOW THE CITY SURVEYOR TO DETERMINE THE ELEVATION OF THE INDICATED UTILITY. ALL UTILITIES INDICATED TO BE POTHOLED SHALL BE EXPOSED AND THEIR ELEVATIONS DETERMINED PRIOR TO THE ISSUANCE OF GRADE SHEETS.

CURVE DATA				
Station	Δ	R	L	T
9	24°41'03"	450'	193.87'	98.46'
10	26°43'22"	580'	270.51'	137.76'
11	6°37'10"	300'	34.66'	17.35'

ENGINEER IN RESPONSIBLE CHARGE

 LAUREN F. CALDWELL
 R.C.E. No. 39441 expires 12/31/2007
 DATE 1/17/2006

CITY OF RIVERSIDE, CALIFORNIA
 PUBLIC WORKS DEPARTMENT

APPROVED BY:
 CITY ENGINEER

DATE: 1/17/06

**LA SIERRA AREA
 SEWER FORCE MAIN
 PHASE II**
 LA SIERRA AVE. TO MEGGINSON LN.

ACC. NO. 977162303-44030109
S-1827
 SHEET 10 OF 10

HORIZ. SCALE: 1" = 40' VERT. SCALE: 1" = 4'
 INDEXED 1-23-06 LfH

IMPORTANT NOTICE
 Section 4216/4217 of the Government Code requires a Dig Alert Identification Number to be issued before a permit to excavate will be valid. For your Dig Alert I.D. Number call CALL TOLL FREE 48 HOURS BEFORE YOU DIG UNDERGROUND SERVICE ALERT 1-800-227-2600