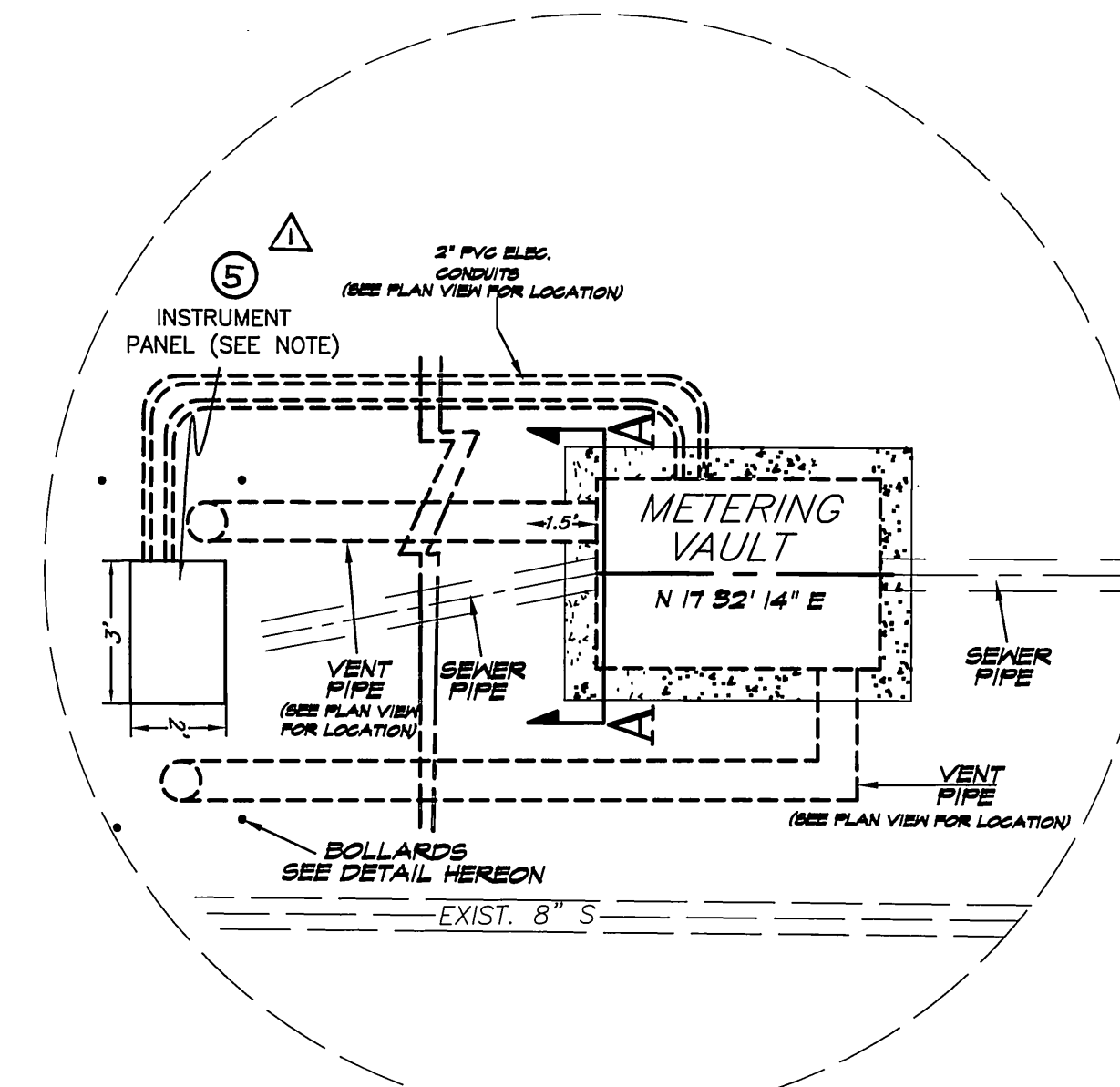
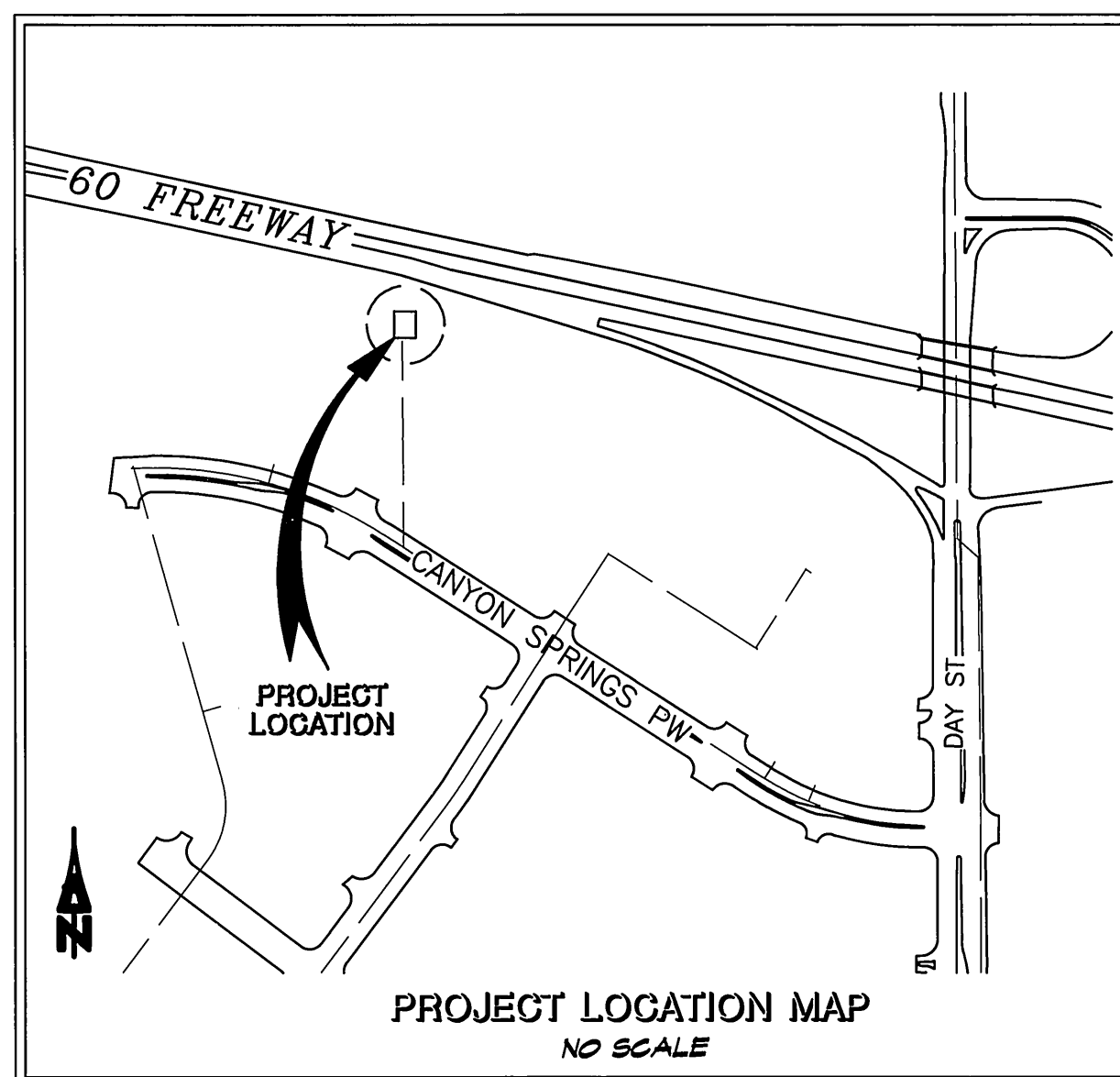
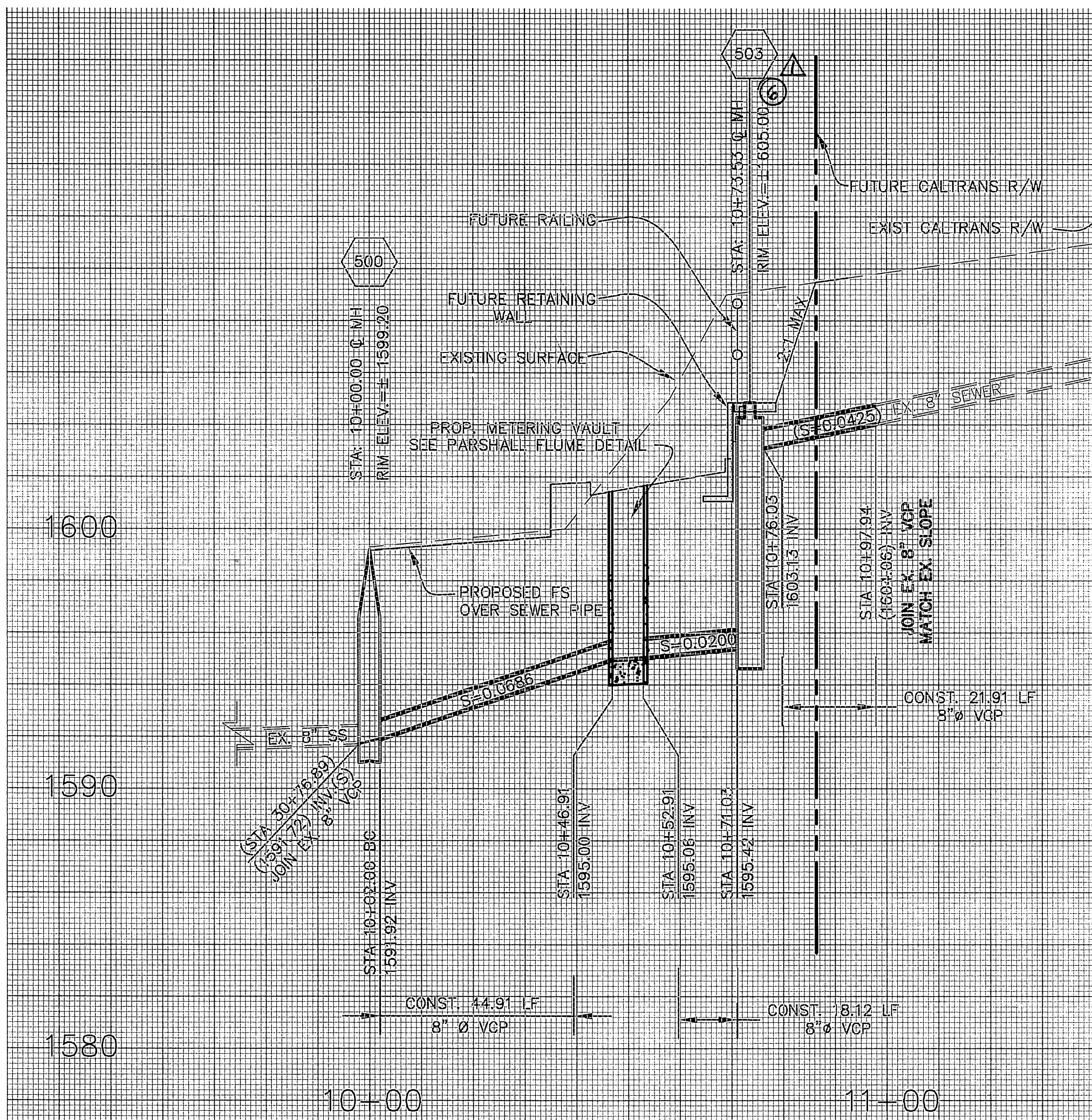
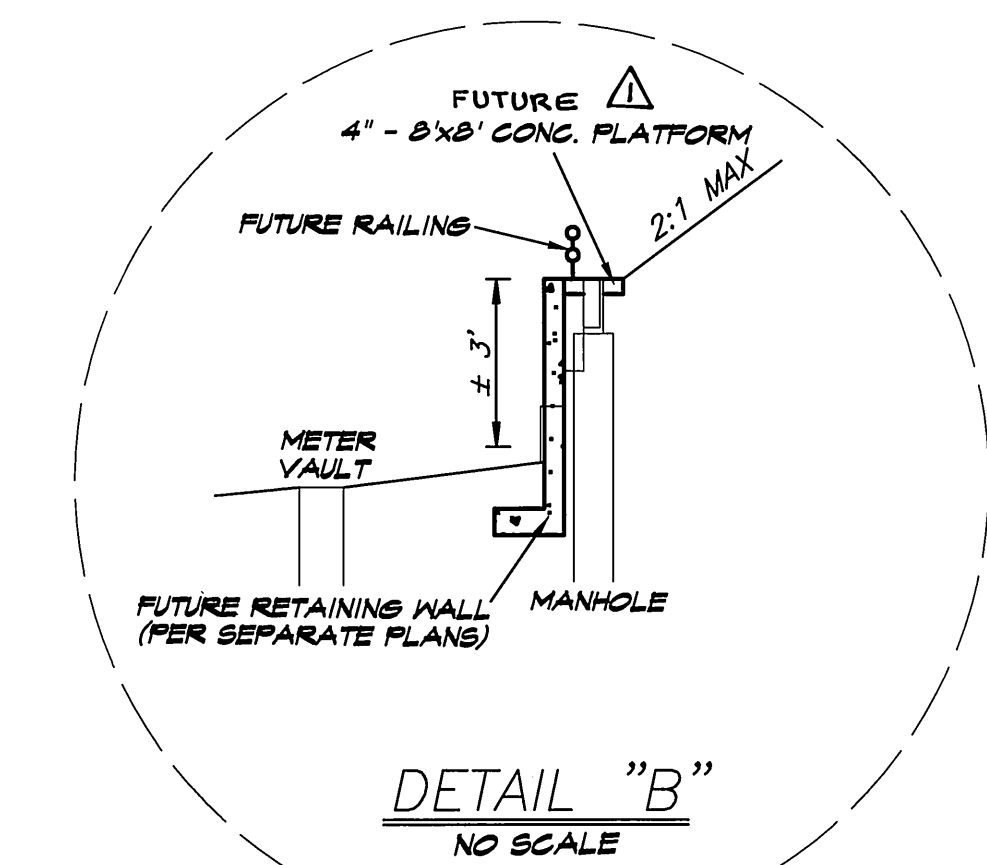
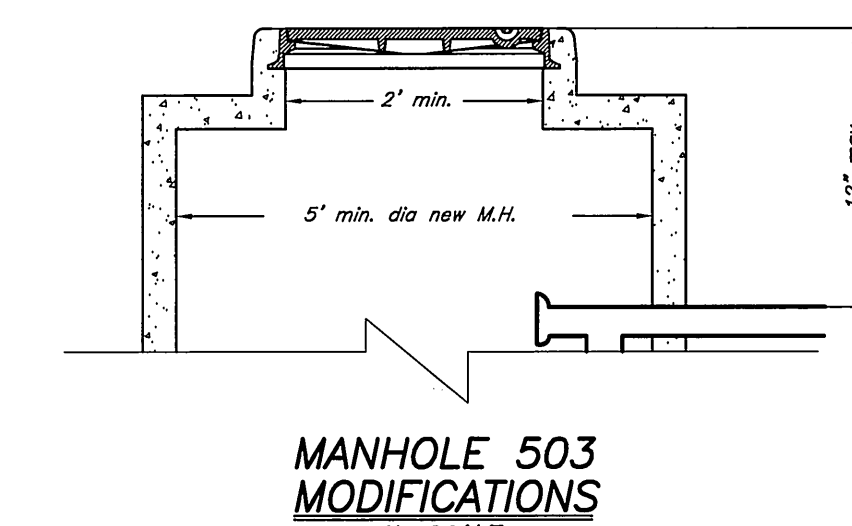
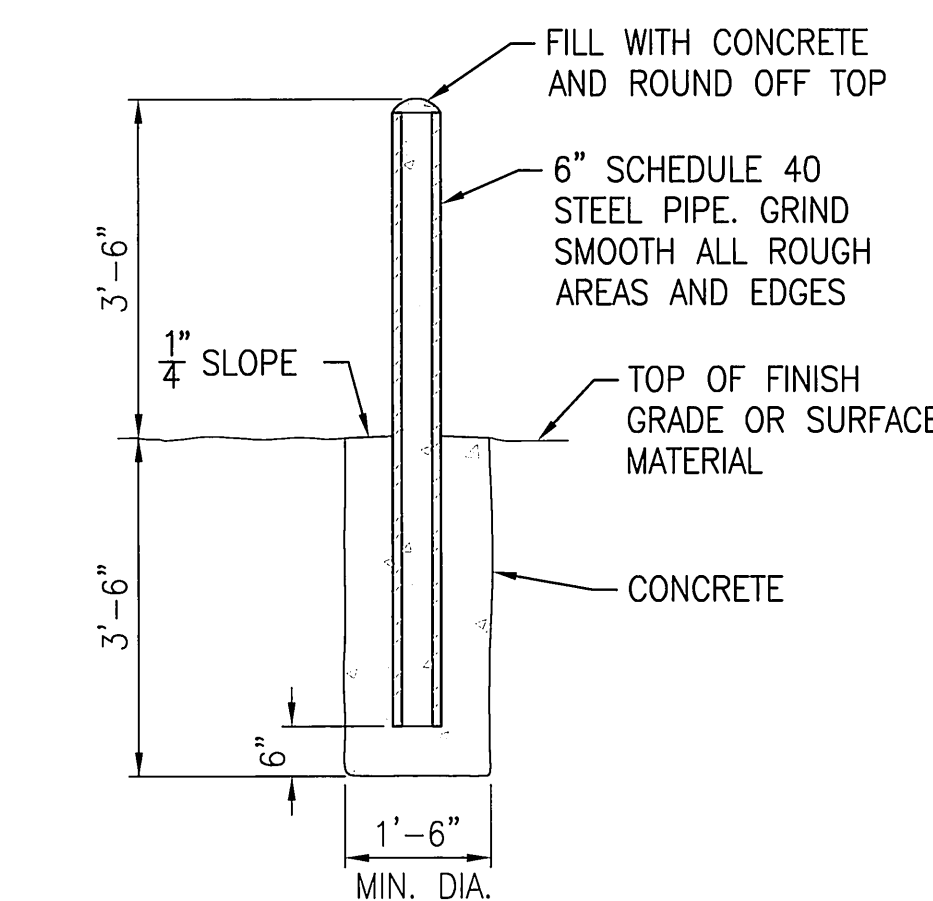
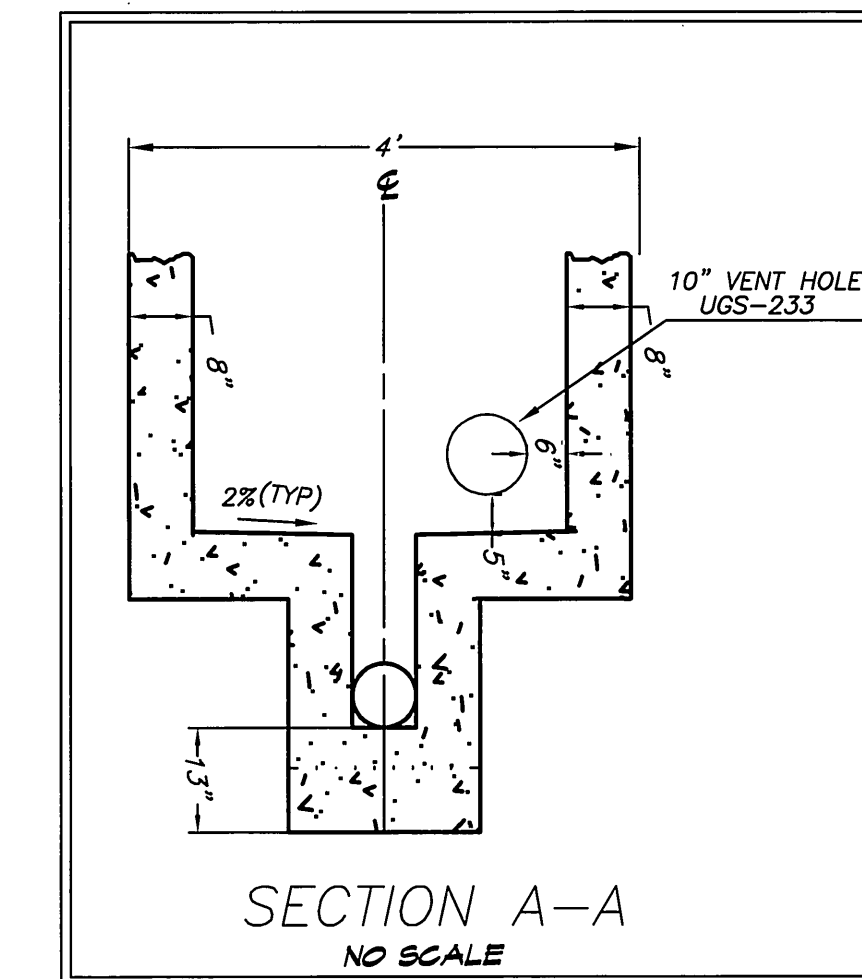
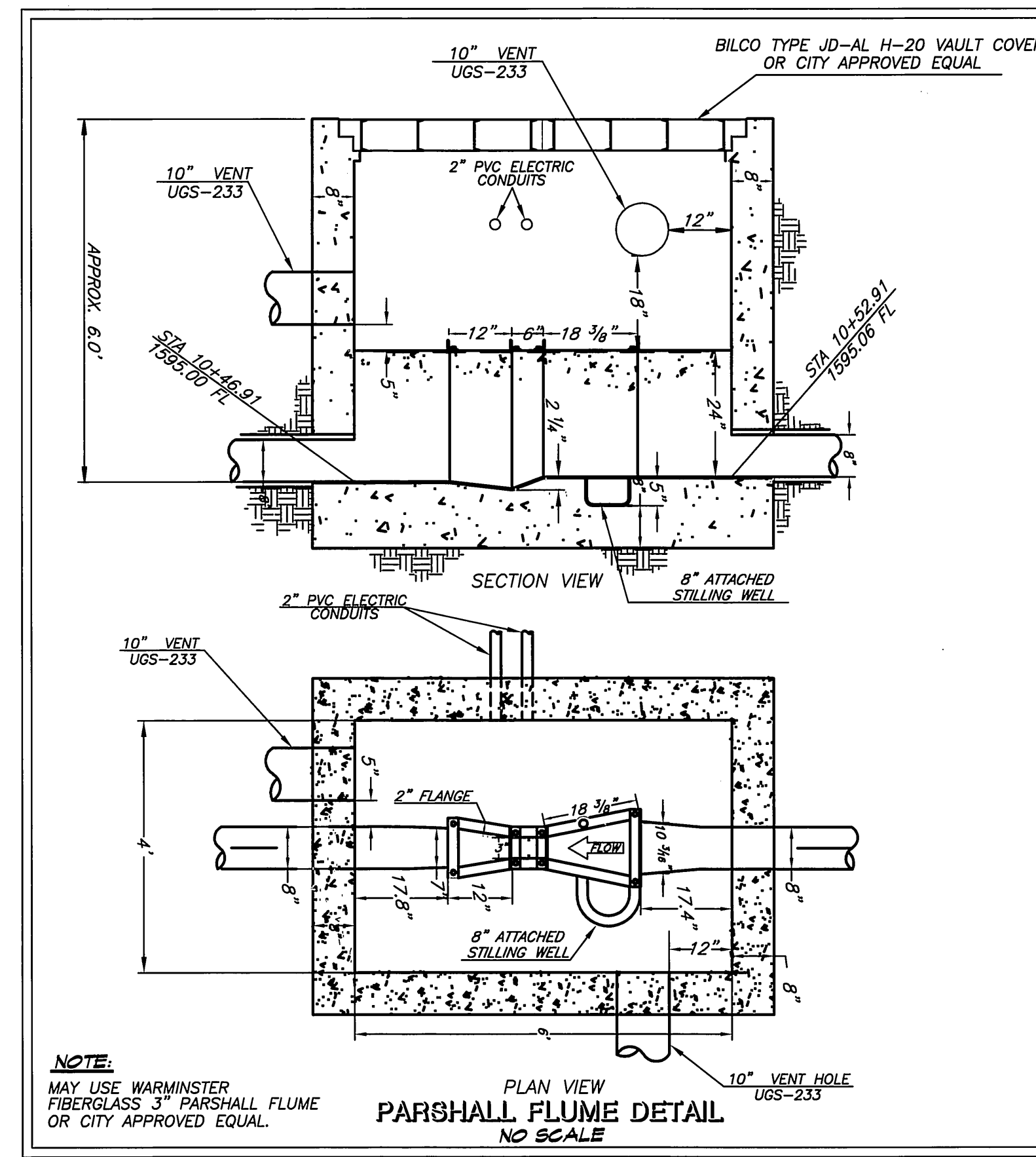
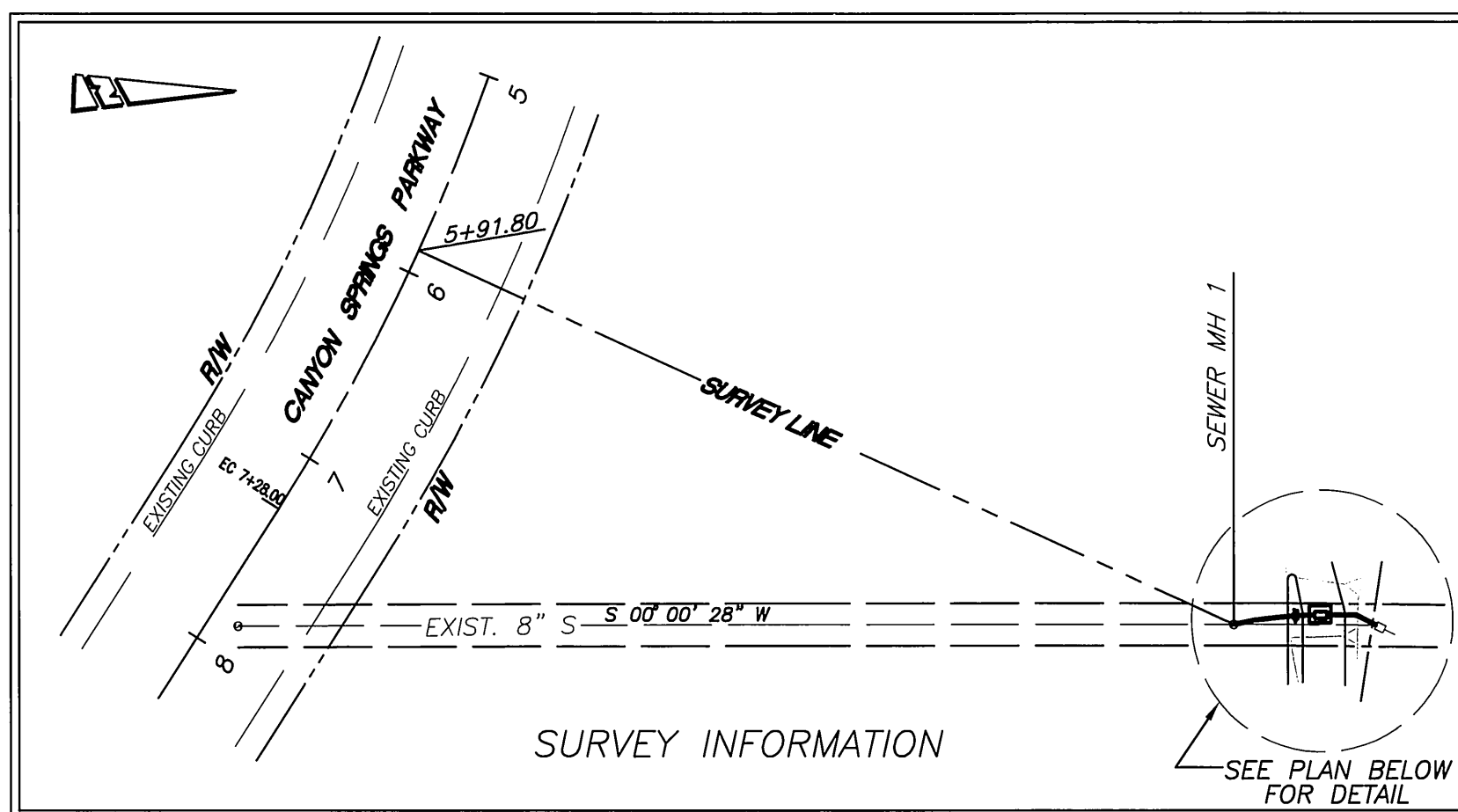


GENERAL NOTES

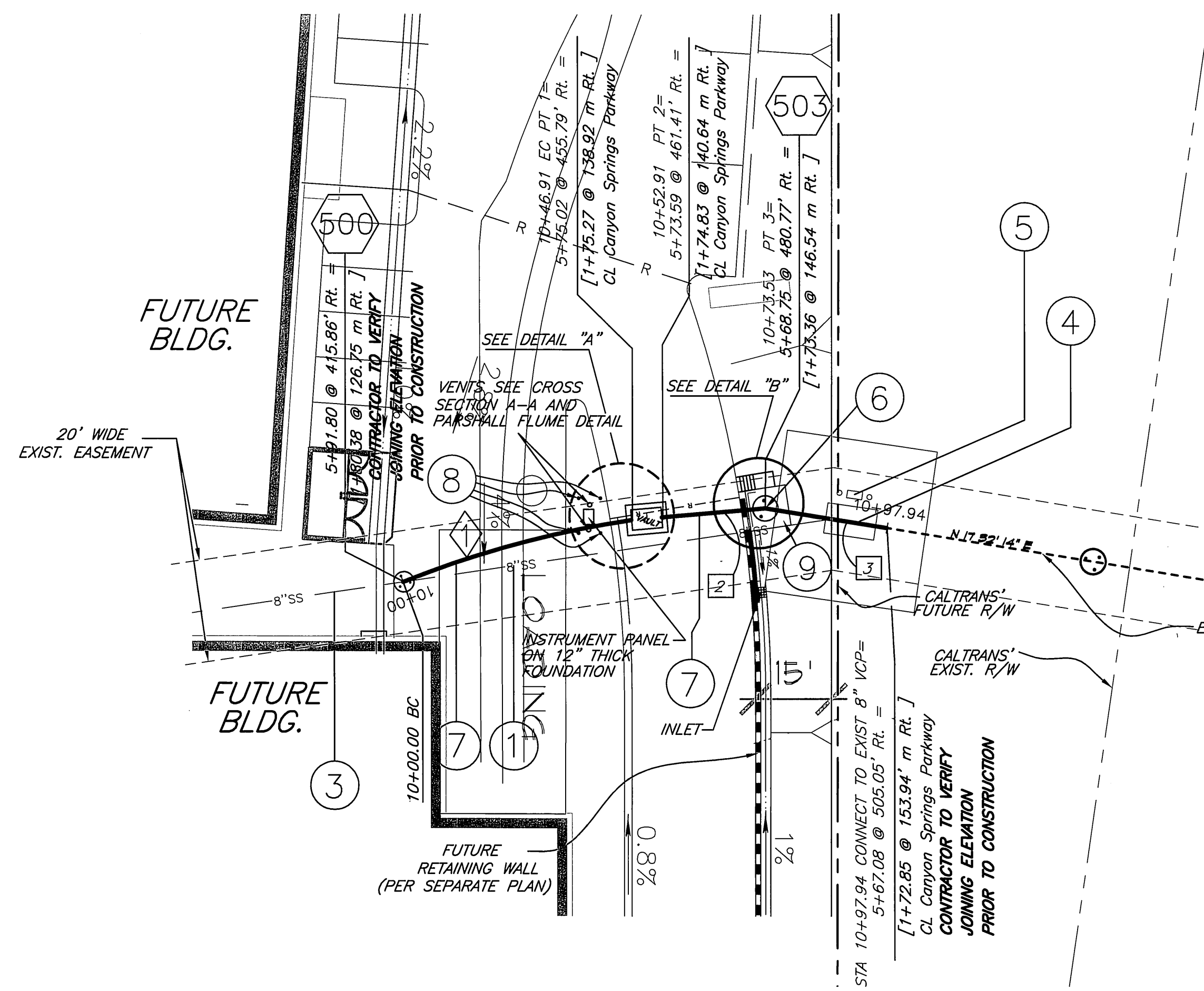
- 1) CONSTRUCTION SHALL BE IN ACCORDANCE WITH THE CITY OF RIVERSIDE STANDARD DRAWINGS AND STANDARD SPECIFICATIONS FOR PUBLIC WORKS CONSTRUCTION, 2003 EDITION.
- 2) EXISTING UTILITIES SHOWN ON THIS PLAN ARE PLOTTED FROM PUBLIC RECORDS. THE CONTRACTOR IS REQUIRED TO TAKE DUE PRECAUTIONARY MEASURES TO LOCATE AND PROTECT ALL UTILITIES WHETHER OR NOT SHOWN ON THIS PLAN.
- 3) CONTRACTOR SHALL POTHOLE AND VERIFY ALL LOCATIONS AND ELEVATIONS OF UTILITIES PRIOR TO THE START OF CONSTRUCTION TO ELIMINATE INTERFERENCE WITH NEW CONSTRUCTION.
- 3) PRIME CONTRACTOR BIDDING THIS WORK SHALL HAVE A CLASS "A, C-34 OR C-42" LICENSE.
- 4) ALL ELEVATIONS SHOWN ON THIS PLAN SHALL BE STAKED IN THE FIELD.
- 5) BACKFILLING OF TRENCH AND PAVEMENT REPLACEMENT SHALL BE DONE PER CITY OF RIVERSIDE STANDARD DRAWING 453.
- 6) ALL NUMBERS IN BRACKETS ARE IN METERS UNLESS UNITS ARE SHOWN.



SPECIFIC CONSTRUCTION NOTES

- 1 ABANDON EXISTING SEWER IN PLACE.
- 2 ABANDON EXISTING MANHOLE.
- 3 EXISTING SEWER TO REMAIN IN SERVICE.
- 4 REMOVE EXISTING VAULT.
- 5 RELOCATE EXISTING INSTRUMENT PANEL TO LOCATION SHOWN ON PLAN.
- 6 CONSTRUCT DROP MH PER CITY OF RIVERSIDE STD. 503 (MODIFIED PER DETAIL SHOWN HEREON)
- 7 CONSTRUCT 8" VCP SEWER
- 8 CONSTRUCT BOLLARDS PER DETAIL HEREON
- 9 CONSTRUCT 8' x 8' CONCRETE SLAB 4" THICK

NUMBERS ABOVE 100 IN A HEXAGON ON THE PLAN REFER TO THE RESPECTIVE STANDARD DRAWING AND SHALL BE CONSTRUCTED ACCORDINGLY. UNLESS MODIFICATIONS ARE NOTED ON THE PLAN OR COVER SHEET, ANY NUMBER SHOWN BELOW THE STANDARD DRAWING NUMBER INDICATES THE SPECIFIC ALTERNATE TO BE CONSTRUCTED.



CURVE DATA		LINE DATA	
R	L	#	BEARING
13'26'19"	20.62'	2	N03°24'51"E
200'	24.40'	3	N17°32'14"E
46.91'			
23.56'			

IMPORTANT NOTICE
Section 4212/4217 of the Government Code requires a Dig Alert Identification Number to be issued before a "Permit to Excavate" will be valid. For your Dig Alert ID, Number call CALL TOLL FREE 48 HOURS BEFORE YOU DIG UNDERGROUND SERVICE ALERT 1-800-227-2600

ENGINEER IN RESPONSIBLE CHARGE
DATE: 11-23-04

PROFESSIONAL ENGINEER
36050
Exp. 6-30-2006
CIVIL
STATE OF CALIFORNIA

MARK	REVISIONS	APPR.	DATE

CITY OF RIVERSIDE, CALIFORNIA PUBLIC WORKS DEPARTMENT
APPROVED BY: [Signature]
DATE: 11/23/04

* AS-BUILT PER PLANS 7-06-05 LFT

EDGEMONT COMMUNITY SERVICE DISTRICT
METERING STATION SEWER

ACCT. NO. 9762923203-4403010X
S-1849
SHEET 1 OF 1

HORIZONTAL SCALE: 1" = 20'
VERTICAL SCALE: 1" = 4'
INDEXED 2-8-05 LFT