

GENERAL NOTES

- 1). CONSTRUCTION SHALL BE IN ACCORDANCE WITH THE CITY OF RIVERSIDE STANDARD DRAWINGS AND STANDARD SPECIFICATIONS FOR PUBLIC WORKS CONSTRUCTION, 2003 EDITION.
- 2). EXISTING UTILITIES SHOWN ON THIS PLAN ARE PLOTTED FROM PUBLIC RECORDS. THE CONTRACTOR IS REQUIRED TO TAKE DUE PRECAUTIONARY MEASURES TO LOCATE AND PROTECT ALL UTILITIES WHETHER OR NOT SHOWN ON THIS PLAN.
- 3). CONTRACTOR SHALL POthOLE AND VERIFY ALL LOCATIONS AND ELEVATIONS OF UTILITIES PRIOR TO THE START OF CONSTRUCTION TO ELIMINATE INTERFERENCE WITH NEW CONSTRUCTION.
- 4). PRIME CONTRACTOR BIDDING THIS WORK SHALL HAVE A CLASS "A, C-34 OR C-42" LICENSE.
- 5). ALL ELEVATIONS SHOWN ON THIS PLAN SHALL BE STAKED IN THE FIELD.
- 6). BACKFILLING OF TRENCH AND PAVEMENT REPLACEMENT SHALL BE DONE PER CITY OF RIVERSIDE STANDARD DRAWING 453.
- 7). ANY WORK THAT WILL CAUSE DAMAGE TO THE DETECTOR LOOPS SHALL NOT BE PERFORMED UNTIL TRAFFIC SIGNAL MAINTENANCE PERSONNEL HAVE BEEN NOTIFIED AND THE NECESSARY TIMING ADJUSTMENTS ARE MADE TO MAINTAIN SIGNAL OPERATION.
- 8). CONTRACTOR SHALL REPLACE ALL EXISTING TRAFFIC DETECTOR LOOPS AFFECTED BY CONSTRUCTION.
- 9). TEMPORARY CONSTRUCTION EASEMENTS HAVE BEEN OBTAINED FOR WORK SHOWN OUTSIDE OF CITY RIGHT OF WAY.
- 10). CONTRACTOR SHALL RELOCATE ALL TRAFFIC SIGNS, REMOVED DUE TO CONSTRUCTION, PER CITY STANDARDS.

SPECIFIC CONSTRUCTION NOTES

- NUMBERS ABOVE 100 IN A HEXAGON ON THE PLAN REFER TO THE RESPECTIVE STANDARD DRAWING AND SHALL BE CONSTRUCTED ACCORDINGLY. UNLESS MODIFICATIONS ARE NOTED ON THE PLAN OR COVER SHEET. ANY NUMBER SHOWN BELOW THE STANDARD DRAWING NUMBER INDICATES THE SPECIFIC ALTERNATE TO BE CONSTRUCTED.
- 1 ABANDON EXISTING SEWER IN PLACE
 - 2 EXISTING SEWER TO REMAIN IN SERVICE.
 - 3 REMOVE INTERFERING PORTION OF STORM DRAIN TO NEAREST JOINT AND BULKHEAD WITH CONCRETE BRICK AND MORTAR TO ALLOW CLEARANCE WITH PROPOSED 36" SEWER.
 - 4 CONSTRUCT 8"-2" BULKHEAD AT STUB END OF ABANDONED 81" RCP WITH CONCRETE BLOCK AND MORTAR AS SHOWN ON "BULKHEAD DETAIL" ON SHEET 4.
 - 5 PROTECT AND SUPPORT IN PLACE.
 - 6 PROTECT IN PLACE. PRIOR TO CONSTRUCTION VERIFY LOCATION. IF RELOCATION REQUIRED, GIVE CITY WATER FORCES 15 DAYS NOTICE.
 - 7 RELOCATE STREET LIGHT AS INDICATED ON PLAN.
 - 8 RELOCATE STREET LIGHT TO THIS LOCATION. ENGINEER WILL FIELD LOCATE.
 - 9 PEDESTRIAN ACCESS MUST BE MAINTAINED WHENEVER CONSTRUCTION IS NOT OCCURRING PLACE TEMPORARY A.C. WHEELCHAIR RAMP.
 - 10 REMOVE CATCH BASIN
 - 11 LEAVE A 1' STUB WITH JOINT FOR FUTURE CONNECTION.
 - 12 SIGN REMOVED DURING CONSTRUCTION SHALL BE RE-INSTALL OR REPLACED WITH A NEW SIGN PROVIDED BY PROPERTY OWNER.
 - 13 SEE PLAN R-3889 FOR RECONSTRUCTION OF STREET IMPROVEMENTS

RIVERSIDE CALIFORNIA

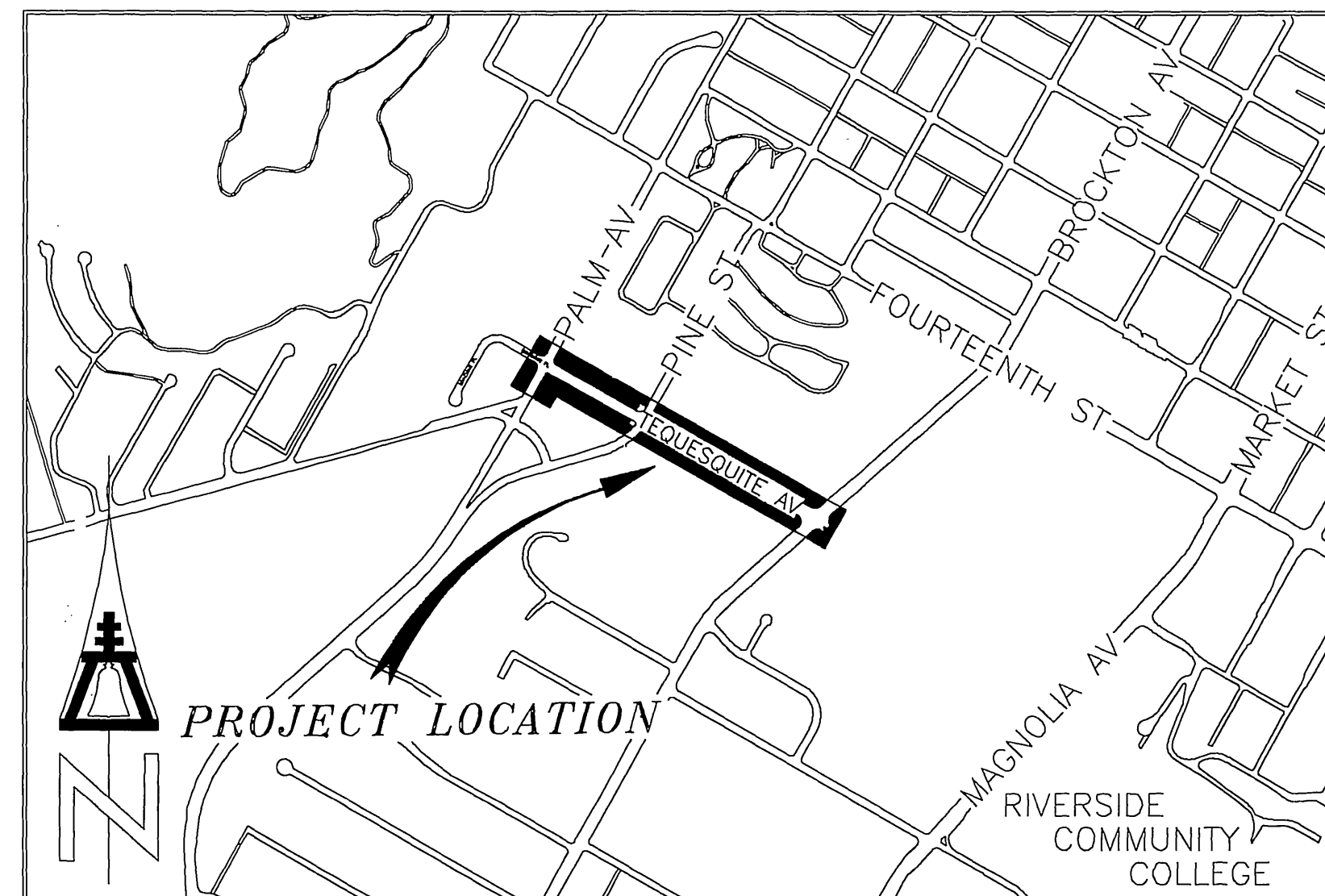
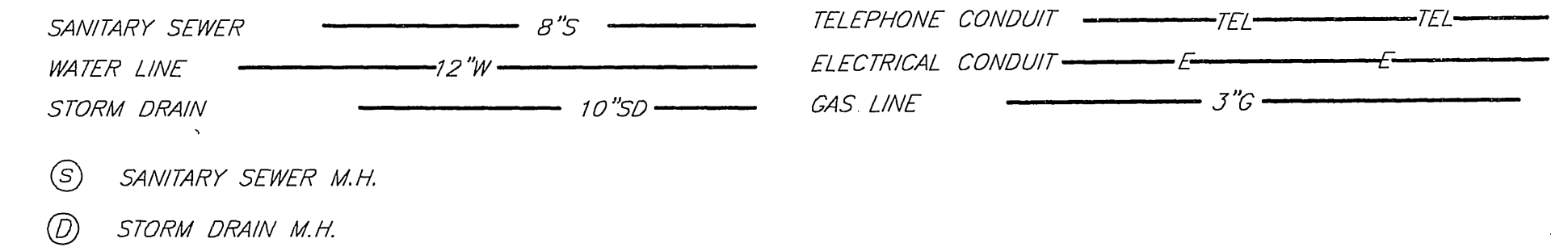


PUBLIC WORKS DEPARTMENT

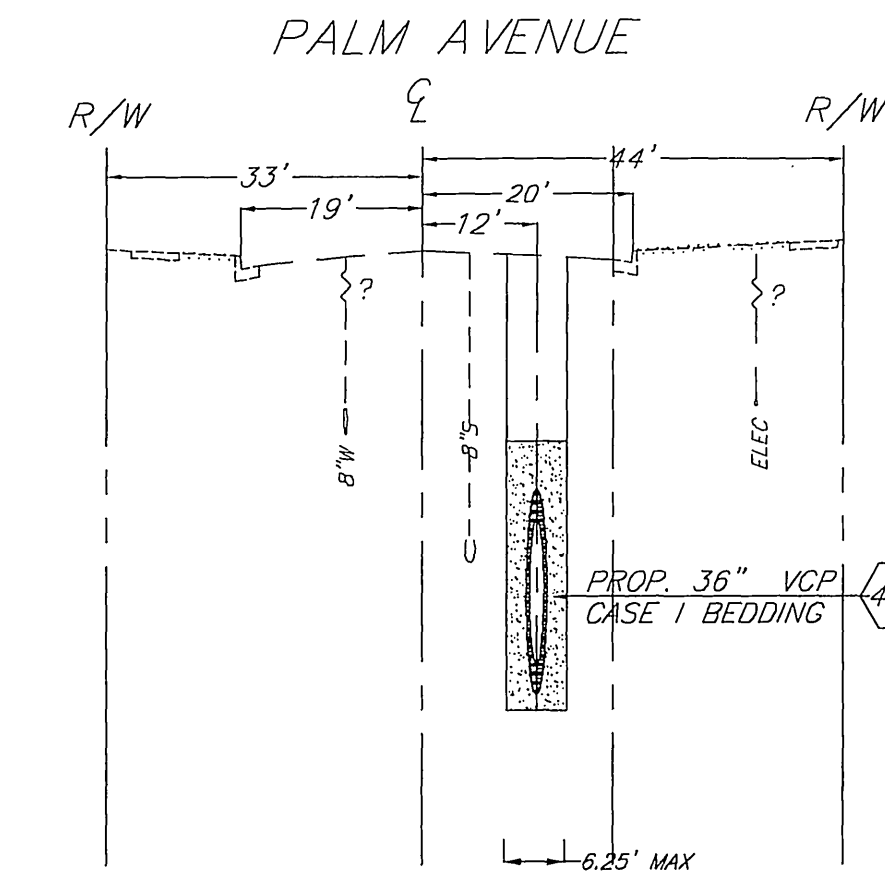
TEQUESQUITE SEWER FROM PALM AVENUE TO BROCKTON AVENUE

EXISTING UNDERGROUND & TOPOGRAPHY LEGEND

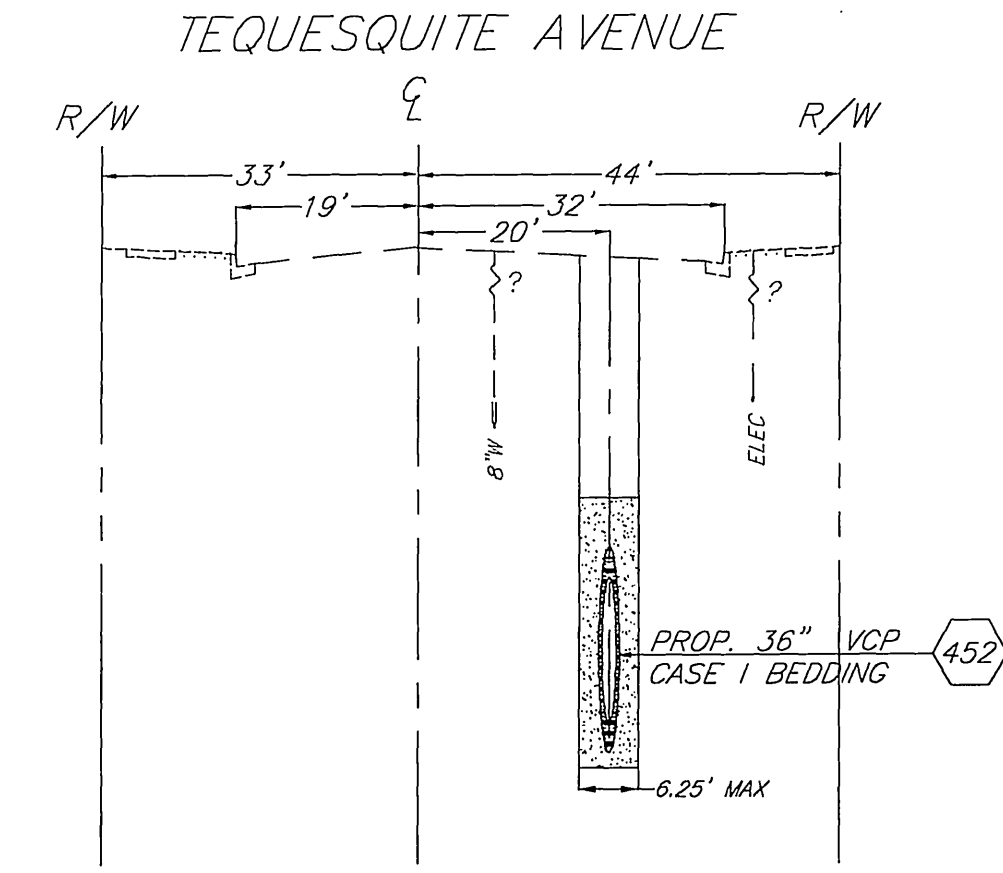
EXISTING UNDERGROUND UTILITIES:



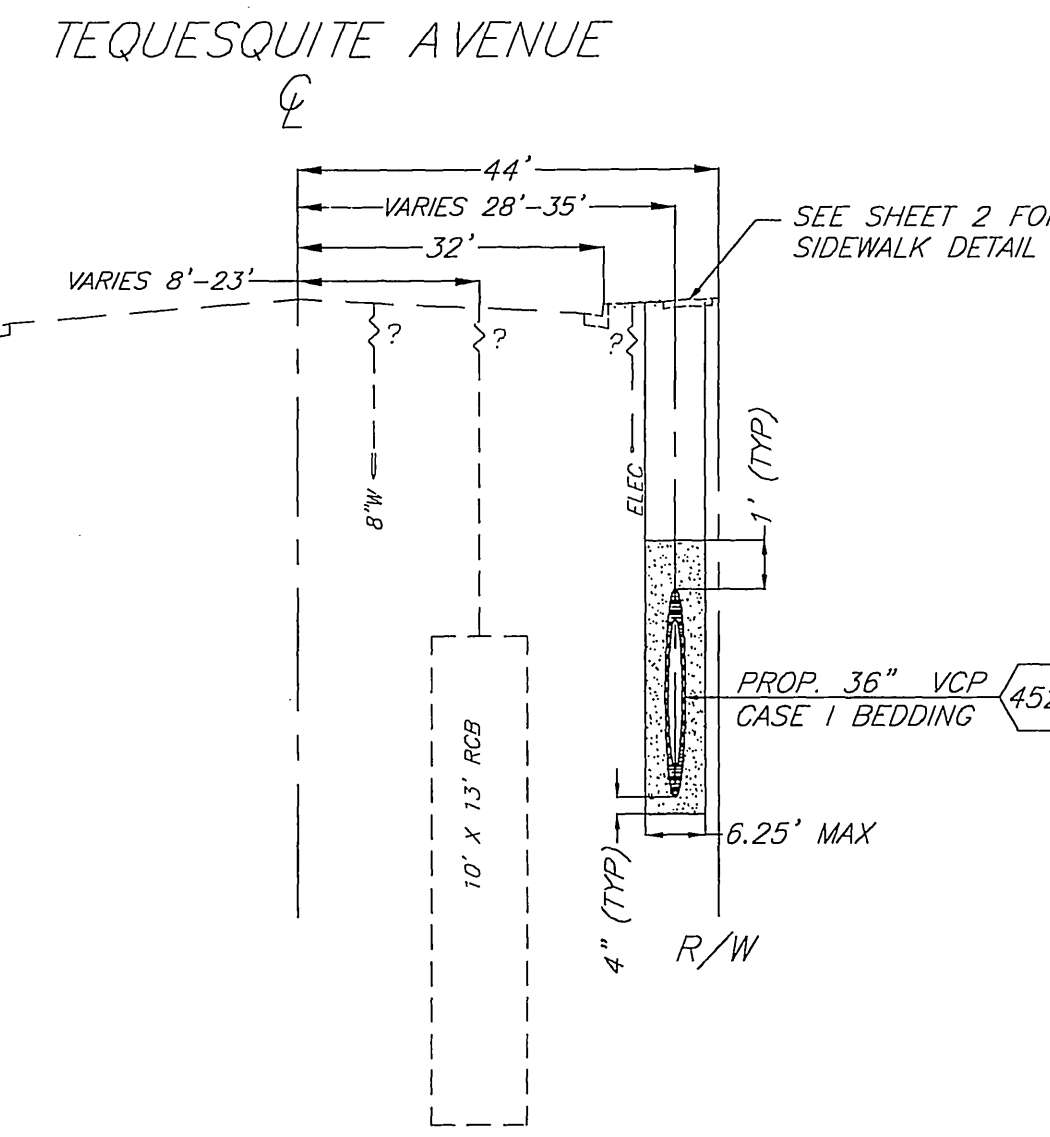
PROJECT LOCATION MAP
NTS



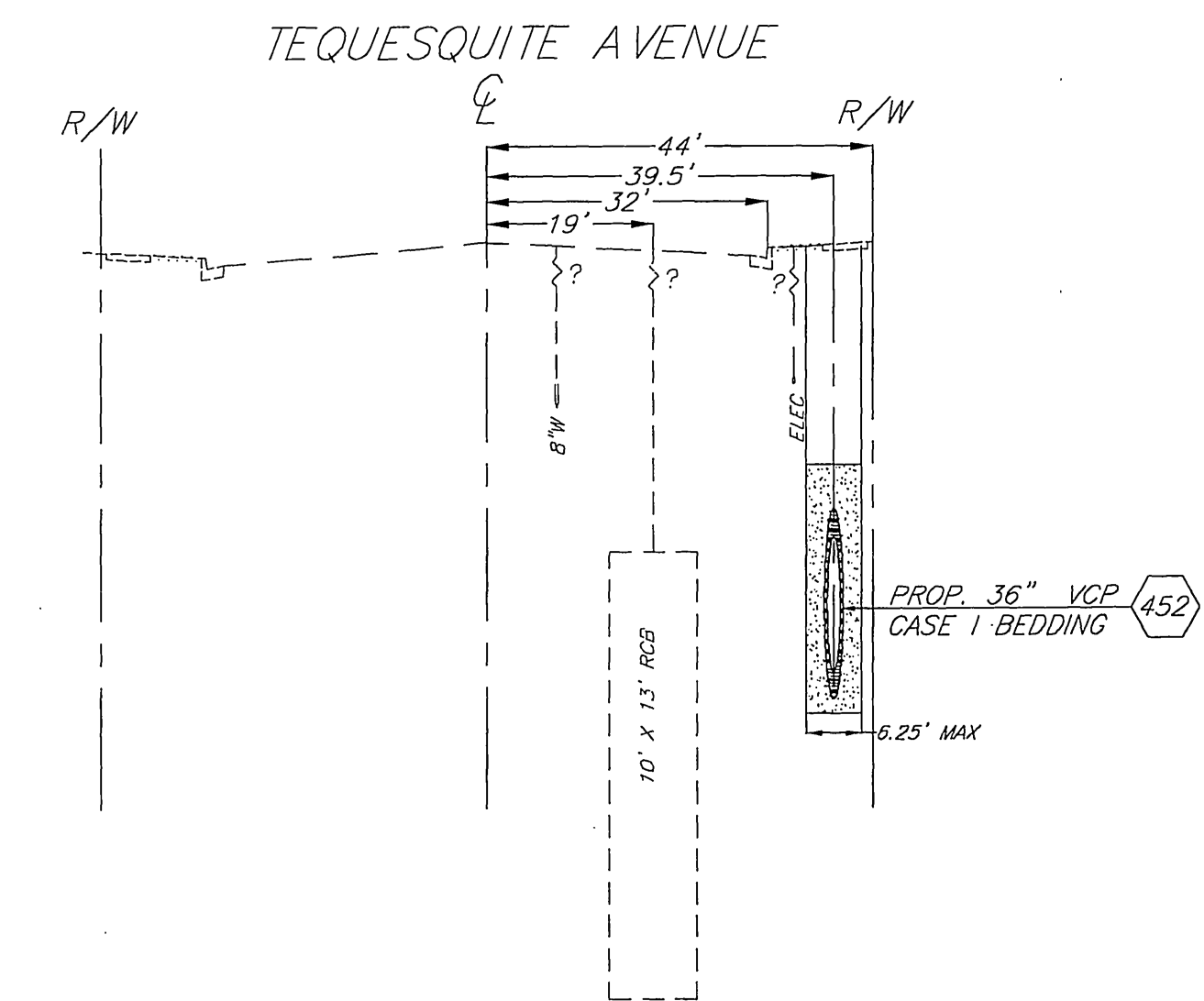
SEWER STA. 8+34.80 TO 10+00
NO SCALE



SEWER STA. 10+00 TO 14+15.07
NO SCALE



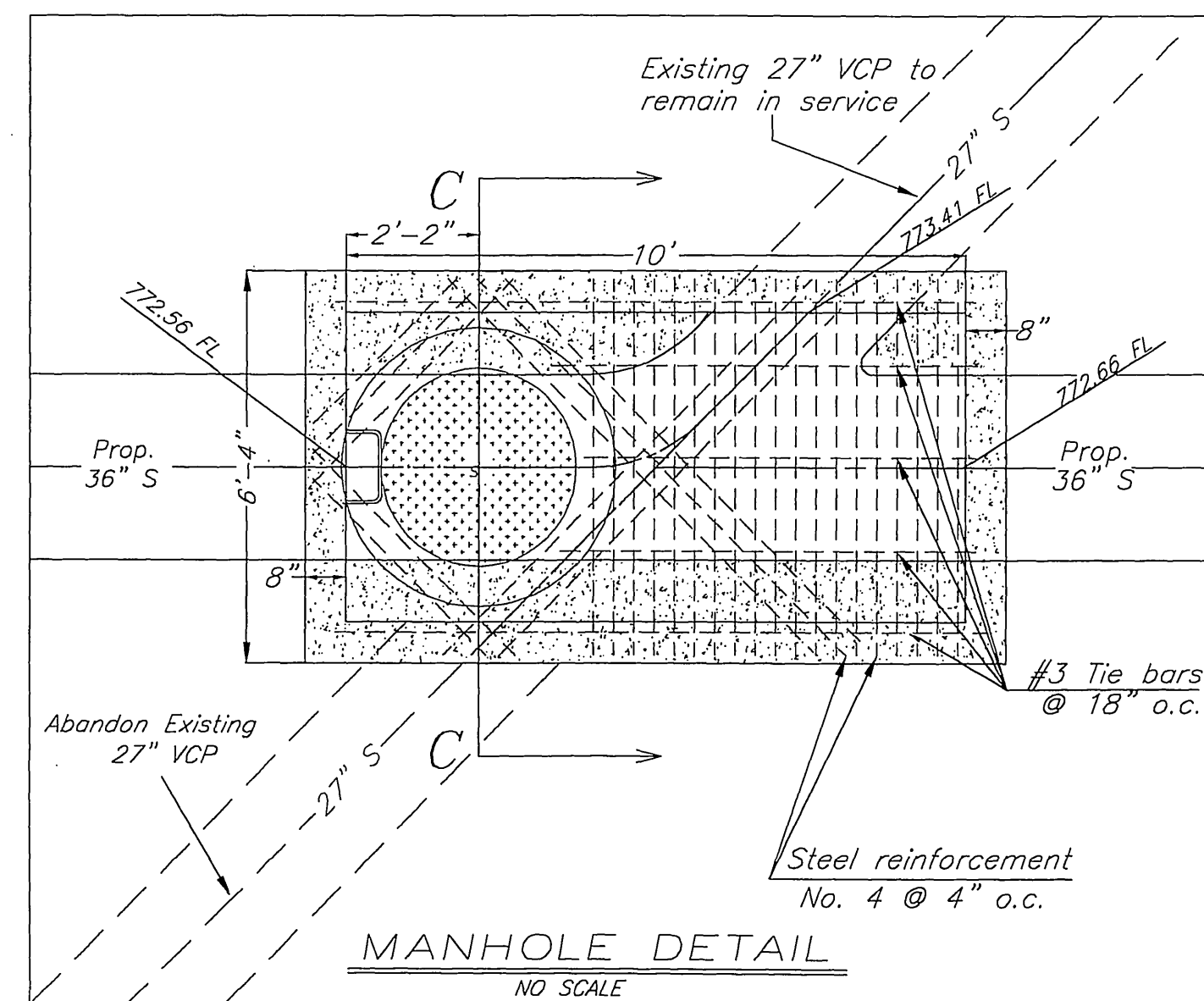
SEWER STA. 22+44.59 TO 24+39.11
NO SCALE



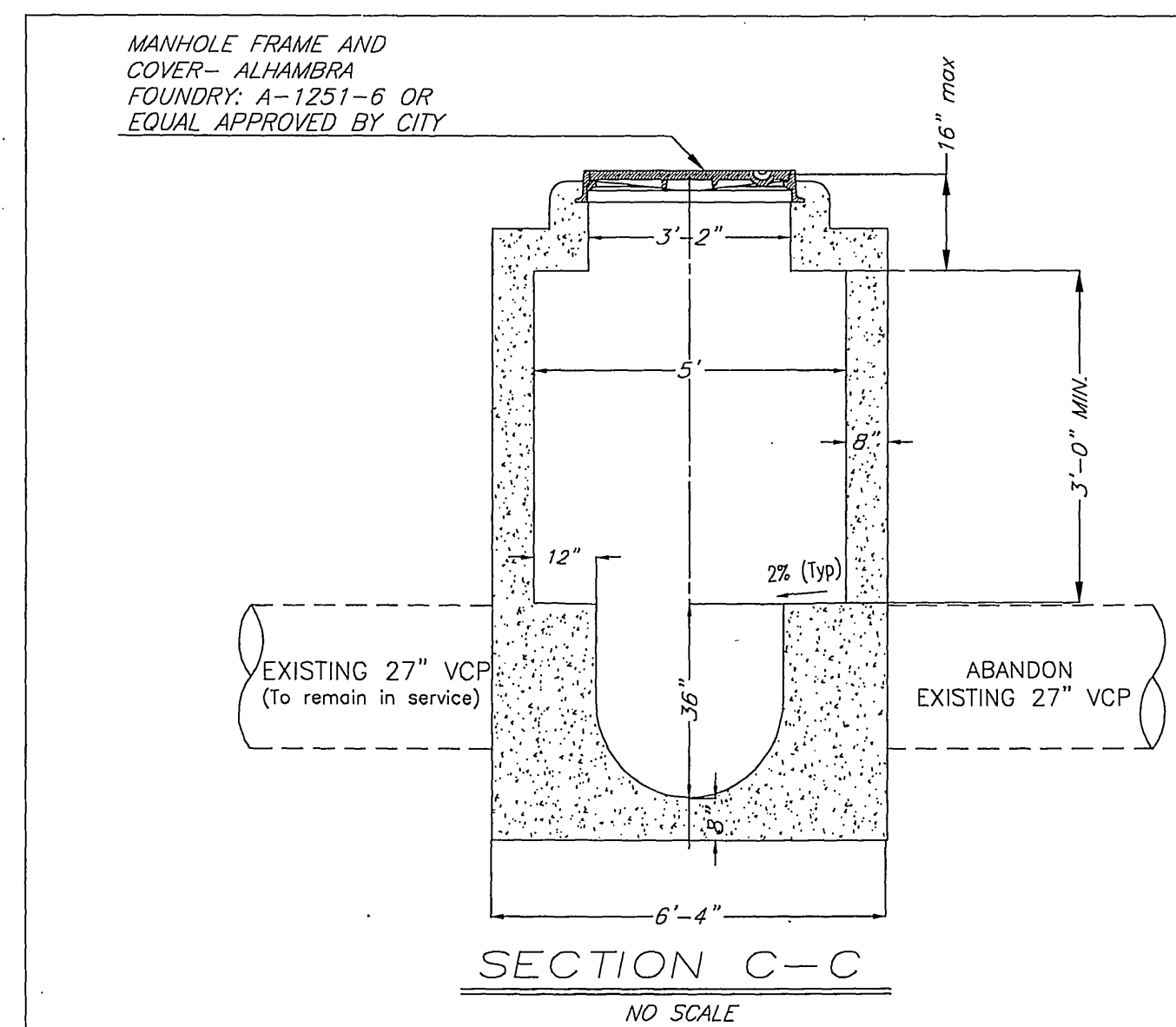
SEWER STA. 15+83.04 TO 17+91.85
NO SCALE

TYPICAL SECTIONS PROPOSED 36" SEWER IN PALM AND TEQUESQUITE AVENUES

MH @ 11+63.65 SEWER- DETAIL C



MANHOLE DETAIL
NO SCALE



SECTION C-C
NO SCALE

IMPORTANT NOTICE
Section 4216/4217 of the Government Code requires a Dig Alert Identification Number to be issued before a Permit to Excavate will be valid. For your Dig Alert I.D. Number call CALL TOLL FREE 48 HOURS BEFORE YOU DIG UNDERGROUND SERVICE ALERT 1-800-227-2600

BENCHMARK
16-C2 BRASS DISK STAMPED "16-C" AT THE CENTERLINE INTERSECTION OF PALM AVENUE AND PINE STREET
ELEV- 773.826

ENGINEER IN RESPONSIBLE CHARGE
Lauren F. Caldwell
LAUREN F. CALDWELL
R.C.E. No. 39441 expires 12/31/05
DATE 11/2/2005

REGISTERED PROFESSIONAL ENGINEER
LAUREN F. CALDWELL
No. 39441
Exp. 12-31-2005
CIVIL
STATE OF CALIFORNIA

DESIGNED BY MLAMPING DRAWN BY MLAMPING CHECKED BY

CITY OF RIVERSIDE, CALIFORNIA
PUBLIC WORKS DEPARTMENT
APPROVED BY: [Signature]
INSPECTOR: [Signature]
SURVEYOR: [Signature]
WASTE WATER OPS. MGR: [Signature]
DATE 11/3/05

TEQUESQUITE SEWER FROM PALM AVENUE TO BROCKTON AVENUE

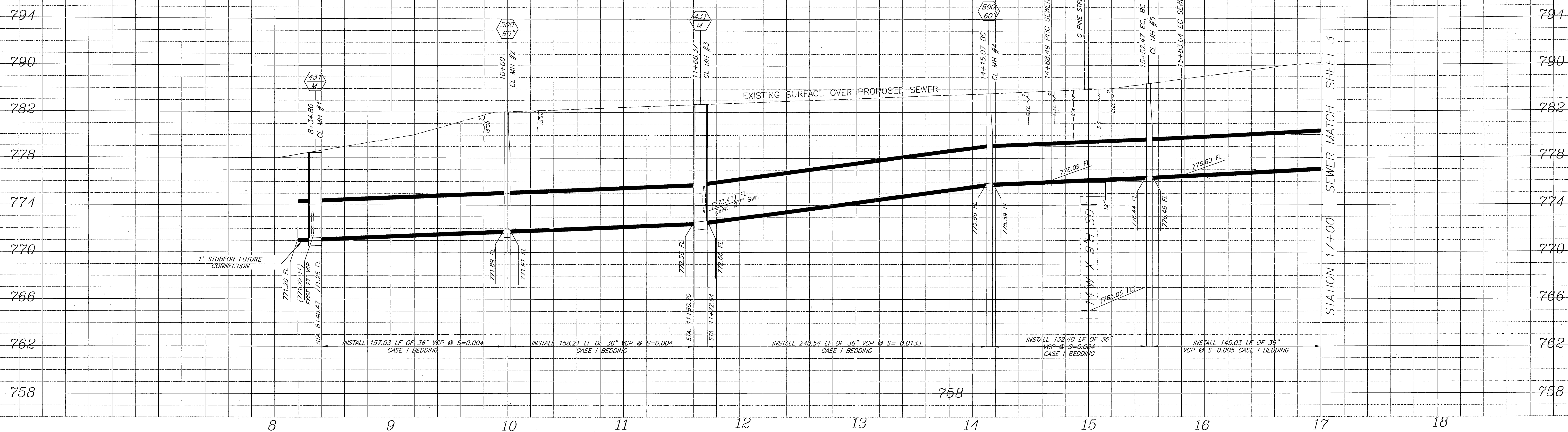
SCALE: AS SHOWN

ACC. No. 9764223203-44030109
W.O. 0501807

S-1852

SHEET 1 OF 4

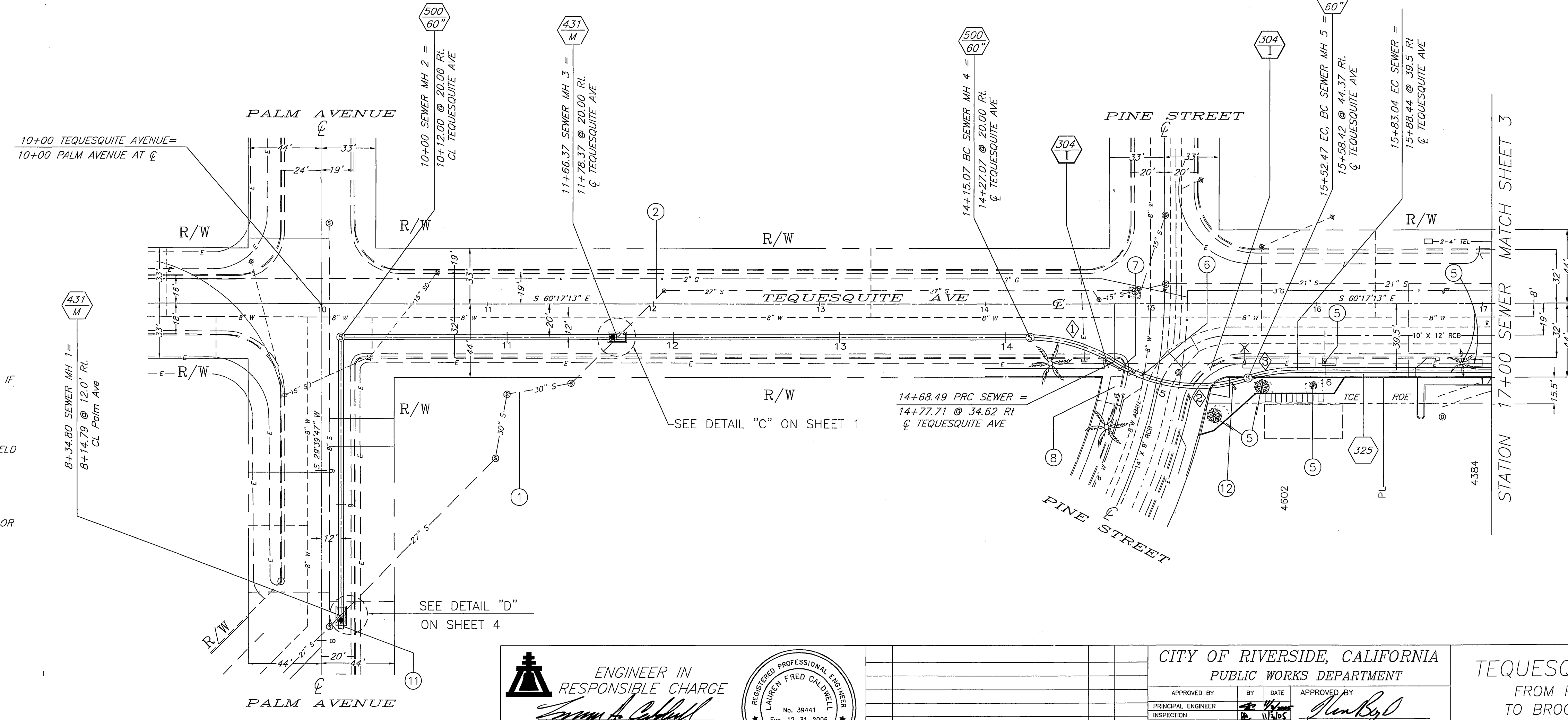
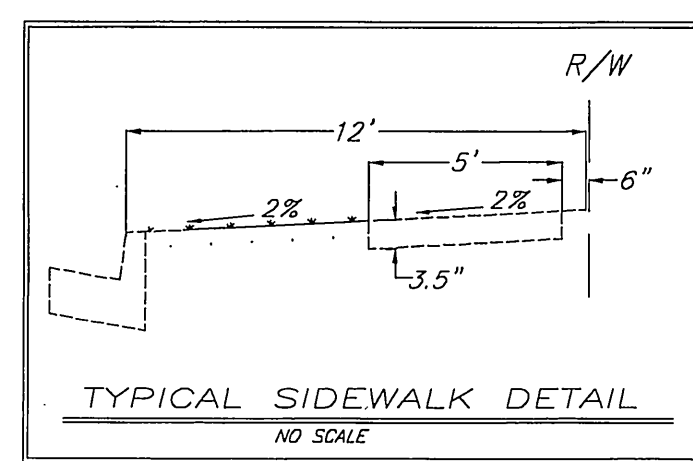
IMPORTANT NOTICE
 Section 4216/4217 of the Government Code requires a Dig Alert Identification Number to be issued before a "Permit to Excavate" will be valid. For your Dig Alert I.D. Number call CALL TOLL FREE 48 HOURS BEFORE YOU DIG UNDERGROUND SERVICE ALERT 1-800-227-2600



STATION 17+00 SEWER MATCH SHEET 3

SPECIFIC CONSTRUCTION NOTES

- 1 ABANDON EXISTING SEWER IN PLACE
- 2 EXISTING SEWER TO REMAIN IN SERVICE.
- 5 PROTECT AND SUPPORT IN PLACE.
- 6 PROTECT IN PLACE. PRIOR TO CONSTRUCTION VERIFY LOCATION. IF RELOCATION REQUIRED, GIVE CITY WATER FORCES 15 DAYS NOTICE.
- 7 RELOCATE STREET LIGHT AS INDICATED ON PLAN.
- 8 RELOCATE STREET LIGHT TO THIS LOCATION. ENGINEER WILL FIELD LOCATE, RECONSTRUCT CONDUITS AND WIRING NECESSARY TO PROVIDE ELECTRICITY TO NEW LOCATION.
- 11 1' STUB FOR FUTURE CONNECTION.
- 12 SIGN REMOVED DURING CONSTRUCTION SHALL BE RE-INSTALL OR REPLACED WITH A NEW SIGN PROVIDED BY PROPERTY OWNER.

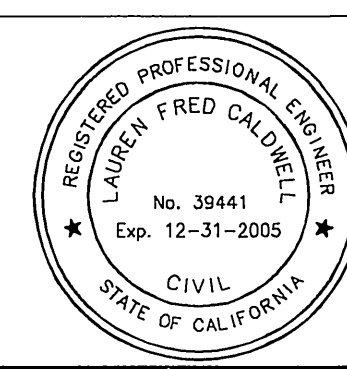


BENCHMARK
 16-C2 BRASS DISK STAMPED "16-C" AT THE CENTERLINE INTERSECTION OF PALM AVENUE AND PINE STREET
 ELEV- 773.826

SEWER CURVE DATA

	1	2	3
Δ	32°12'55"	50°39'02"	18°26'07"
R	95'	95'	95'
L	53.42'	83.98'	30.57'
T	27.43'	44.96'	15.42'

ENGINEER IN RESPONSIBLE CHARGE
 LAUREN F. CALDWELL
 R.C.E. No. 39441 expires 12/31/05
 DATE 11/4/05



MARK	REVISIONS	APPR.	DATE

CITY OF RIVERSIDE, CALIFORNIA
 PUBLIC WORKS DEPARTMENT

APPROVED BY: [Signature]
 BY DATE: 11/4/05
 INSPECTION SURVEYOR: [Signature]
 WASTE WATER OPS. MGR. [Signature]

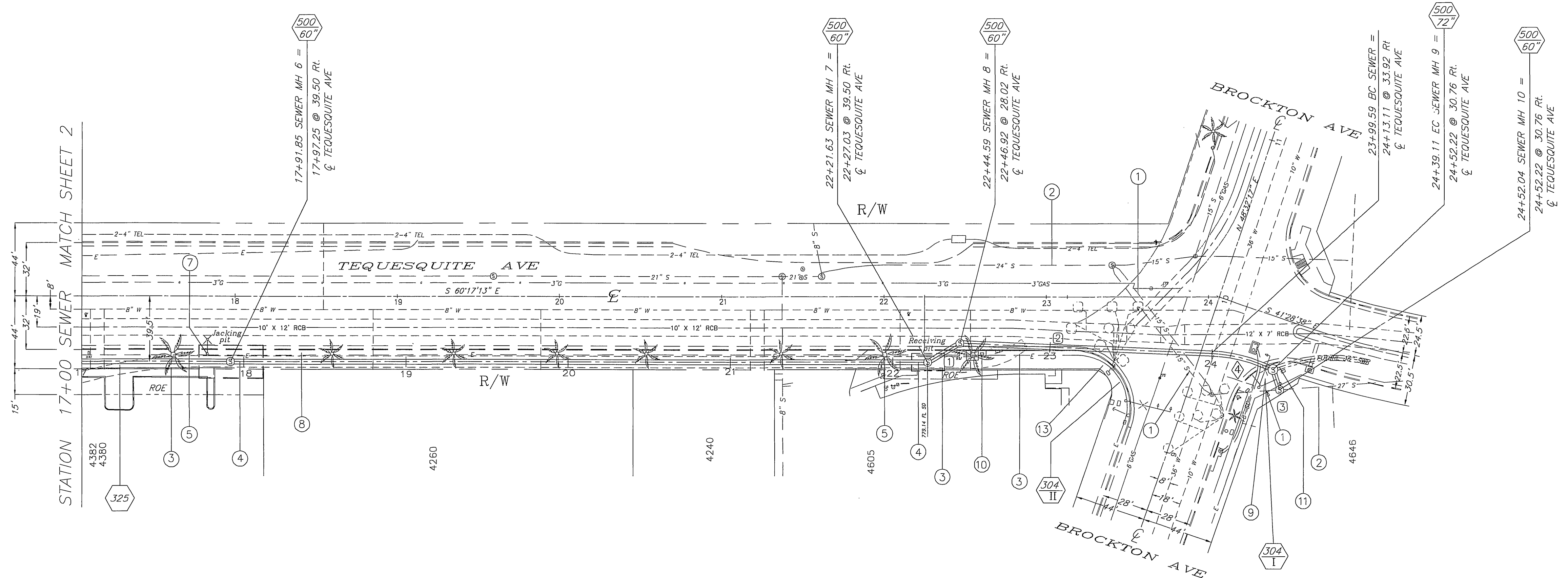
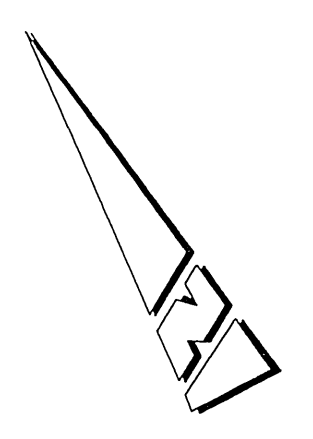
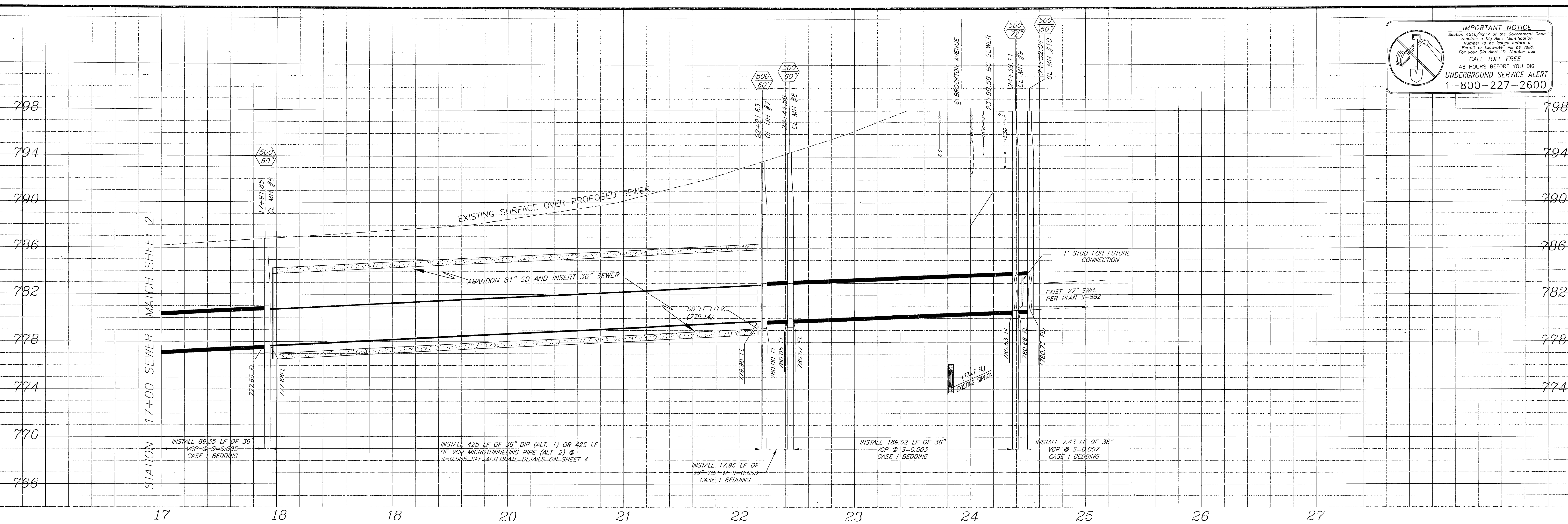
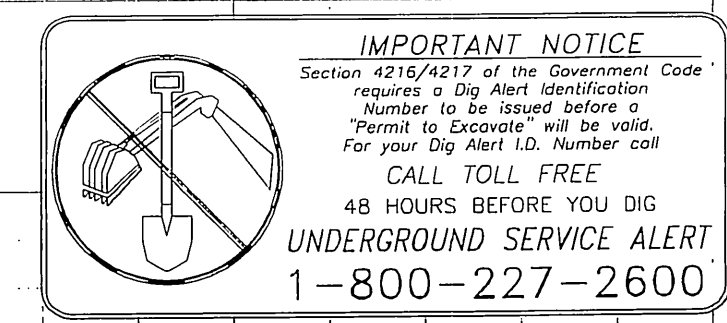
TEQUESQUITE SEWER
 FROM PALM AVENUE
 TO BROCKTON AVENUE

HORIZ. SCALE: 1" = 40'
 VERT. SCALE: 1" = 4'

ACC. No. 9764223203-44030109
 W.O. 0501807

S-1852

SHEET 2 OF 4



SPECIFIC CONSTRUCTION NOTES

- 1 ABANDON EXISTING SEWER IN PLACE
- 2 EXISTING SEWER TO REMAIN IN SERVICE.
- 3 REMOVE INTERFERING PORTION OF STORM DRAIN TO NEAREST JOINT AND BULKHEAD WITH CONCRETE BRICK AND MORTAR TO ALLOW CLEARANCE WITH PROPOSED 36" SEWER.
- 4 CONSTRUCT 8'-2" BULKHEAD AT STUB END OF ABANDONED 81" RCP WITH CONCRETE BLOCK AND MORTAR AS SHOWN ON "BULKHEAD DETAIL" ON SHEET 4.
- 5 PROTECT AND SUPPORT IN PLACE.
- 7 RELOCATE STREET LIGHT AS INDICATED ON PLAN.
- 8 RELOCATE STREET LIGHT TO THIS LOCATION. ENGINEER WILL FIELD LOCATE, RECONSTRUCT CONDUITS AND WIRING NECESSARY TO PROVIDE ELECTRICITY TO NEW LOCATION.
- 9 PEDESTRIAN ACCESS MUST BE MAINTAINED WHENEVER CONSTRUCTION IS NOT OCCURRING. PLACE TEMPORARY A.C. WHEELCHAIR RAMP.
- 10 REMOVE CATCH BASIN
- 11 1' STUB FOR FUTURE CONNECTION.
- 13 SEE PLAN R-3889 FOR RECONSTRUCTION OF STREET IMPROVEMENTS

SEWER CURVE DATA

Δ	23°50'12"
R	95'
L	39.52'
T	20.05'

LINE DATA

	①	②	③
L	22.97'	155.03'	12.93'
BEARING	N89°42'53"E	N58°0'56"W	S11°08'43"W

BENCHMARK
 16-C2 BRASS DISK STAMPED "16-C" AT THE CENTERLINE INTERSECTION OF PALM AVENUE AND PINE STREET
 ELEV- 773.826

ENGINEER IN RESPONSIBLE CHARGE
 LAUREN F. CALDWELL
 R.C.E. No. 39441 expires 12/31/05
 DATE 11/2/05



CITY OF RIVERSIDE, CALIFORNIA
PUBLIC WORKS DEPARTMENT

APPROVED BY	BY DATE	APPROVED BY
INSPECTION	11/2/05	LAUREN F. CALDWELL
SURVEYOR	11/2/05	
WASTE WATER OPS. MGR.		

TEQUESQUITE SEWER
 FROM PALM AVENUE
 TO BROCKTON AVENUE

ACC. No. 9764223203-44030109
 W.O. 0501807

S-1852

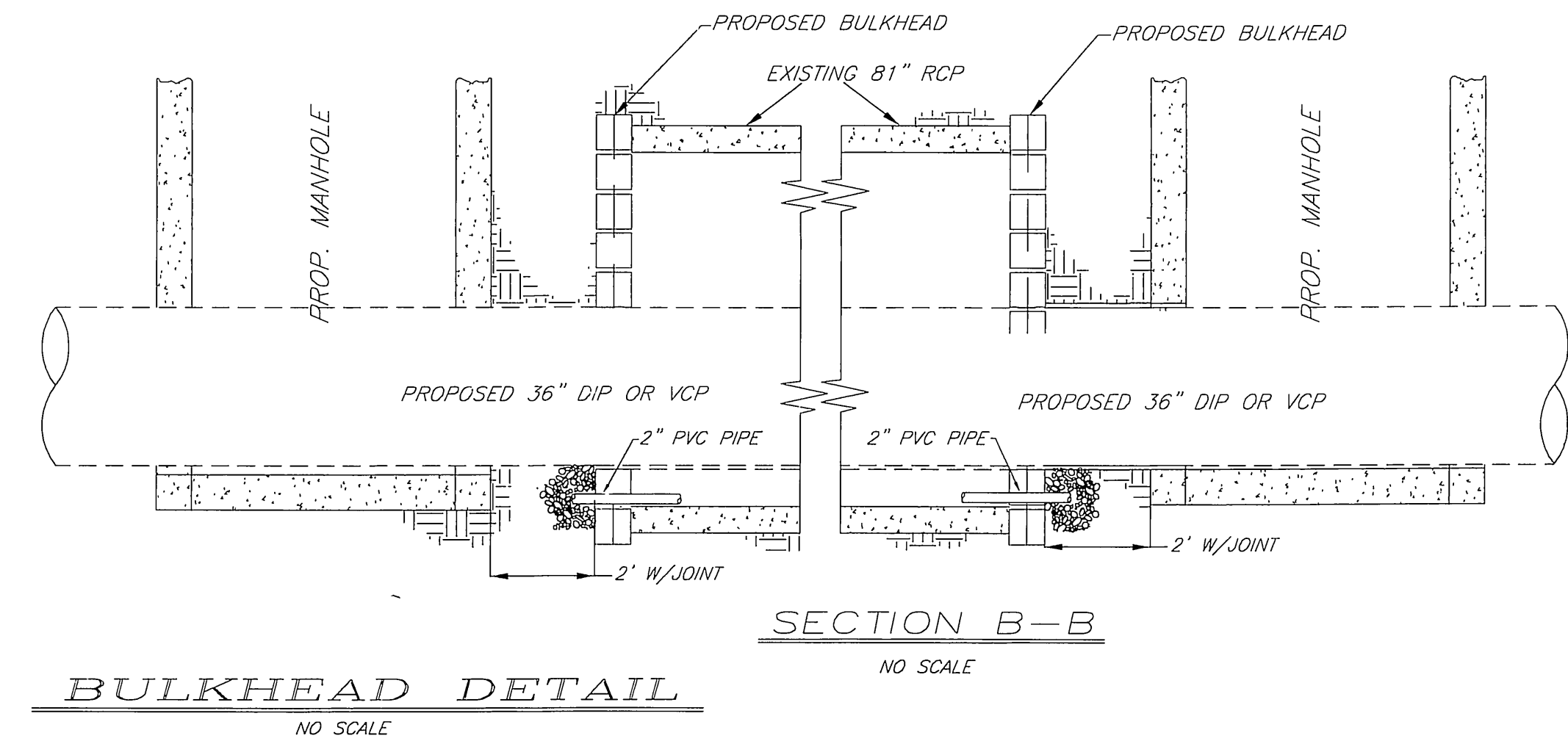
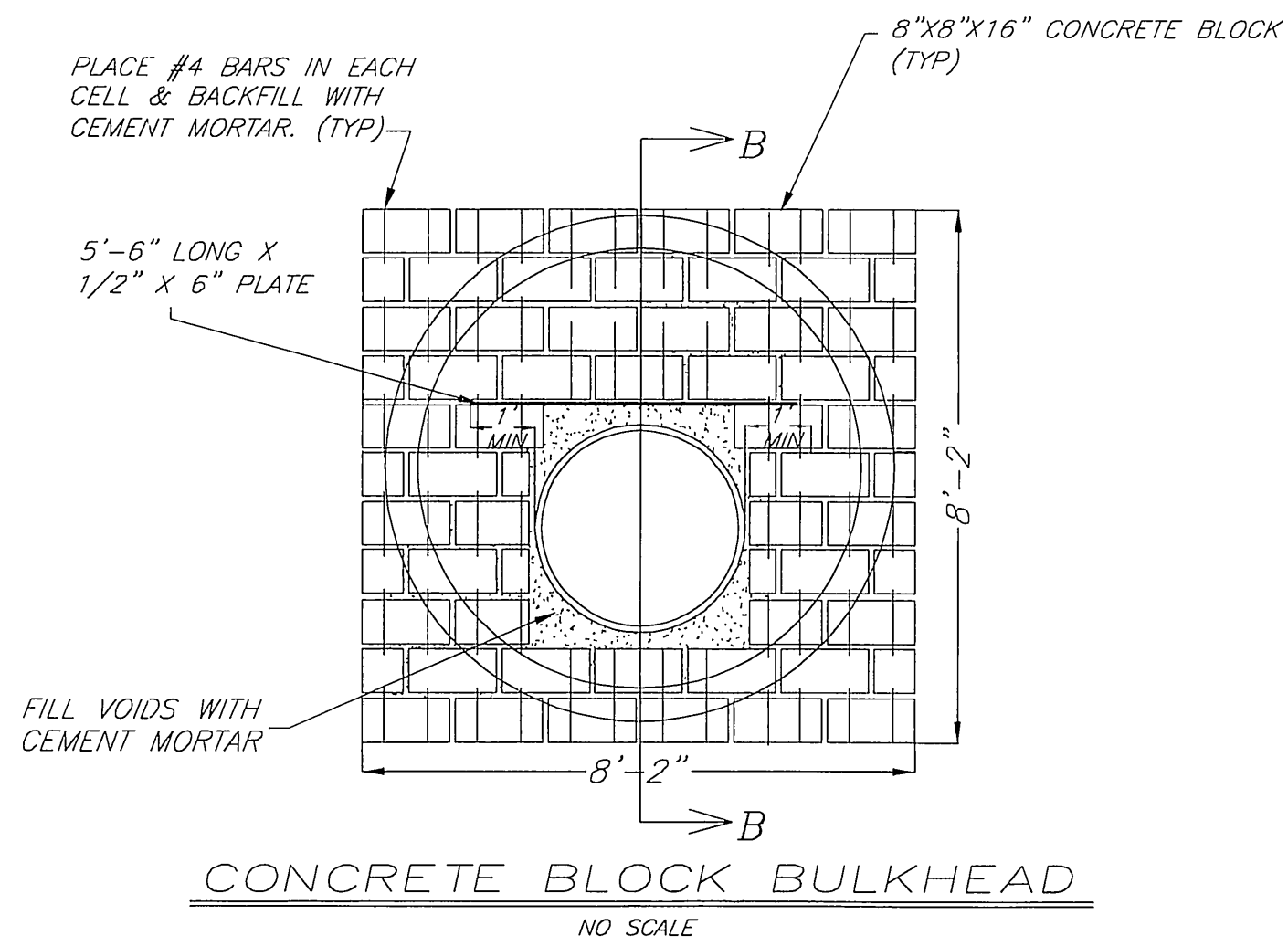
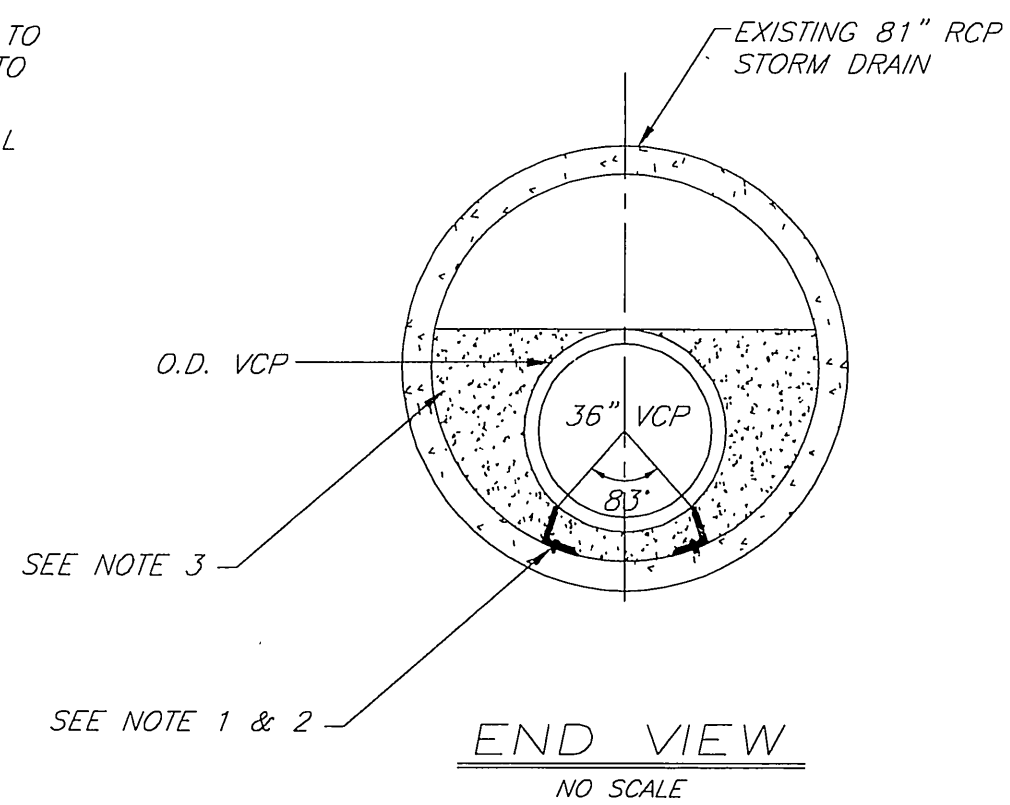
HORIZ. SCALE: 1" = 40' VERT. SCALE: 1" = 4'

SHEET 3 OF 4

ALTERNATE 2- 36" VCP MICROTUNNELING PIPE

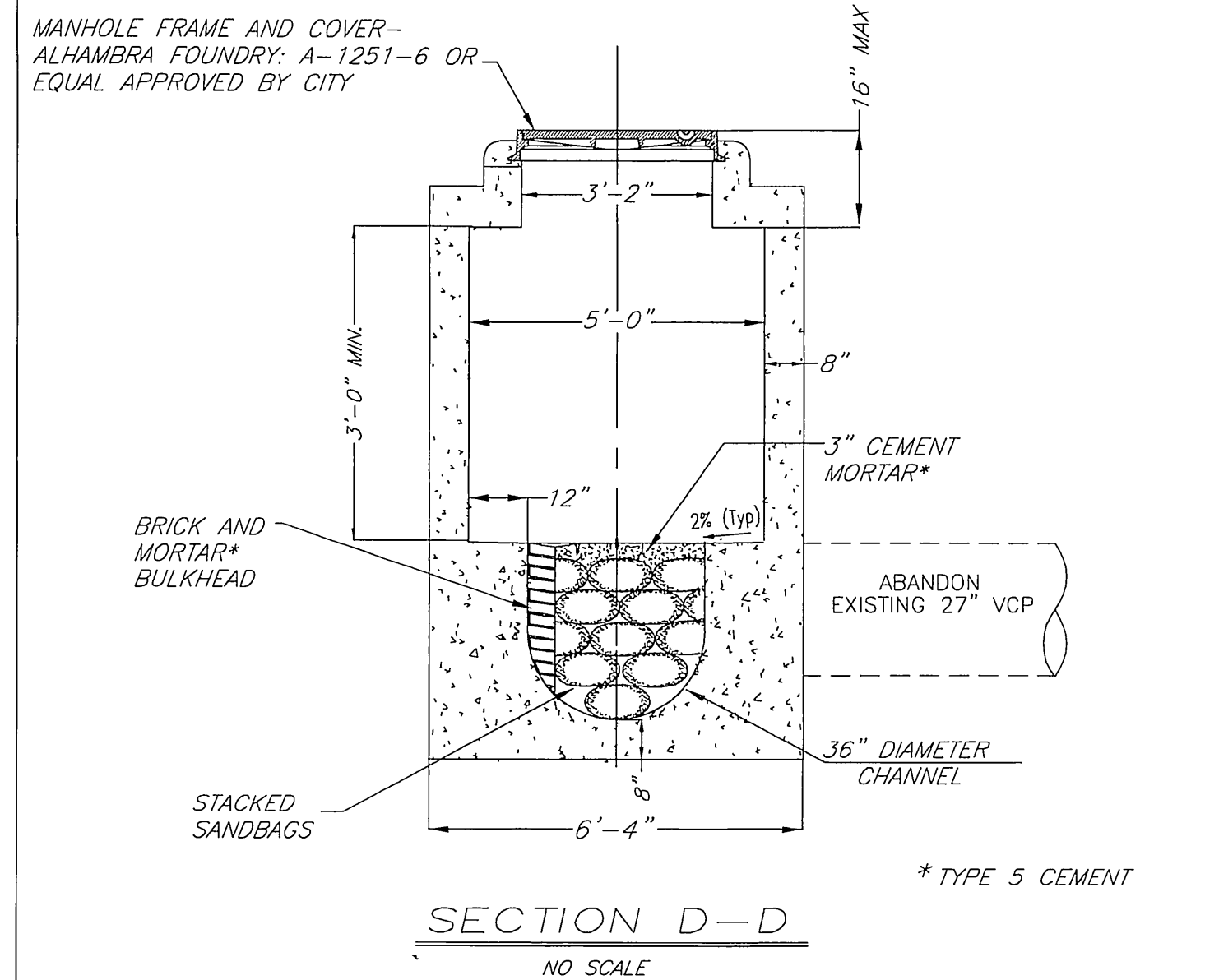
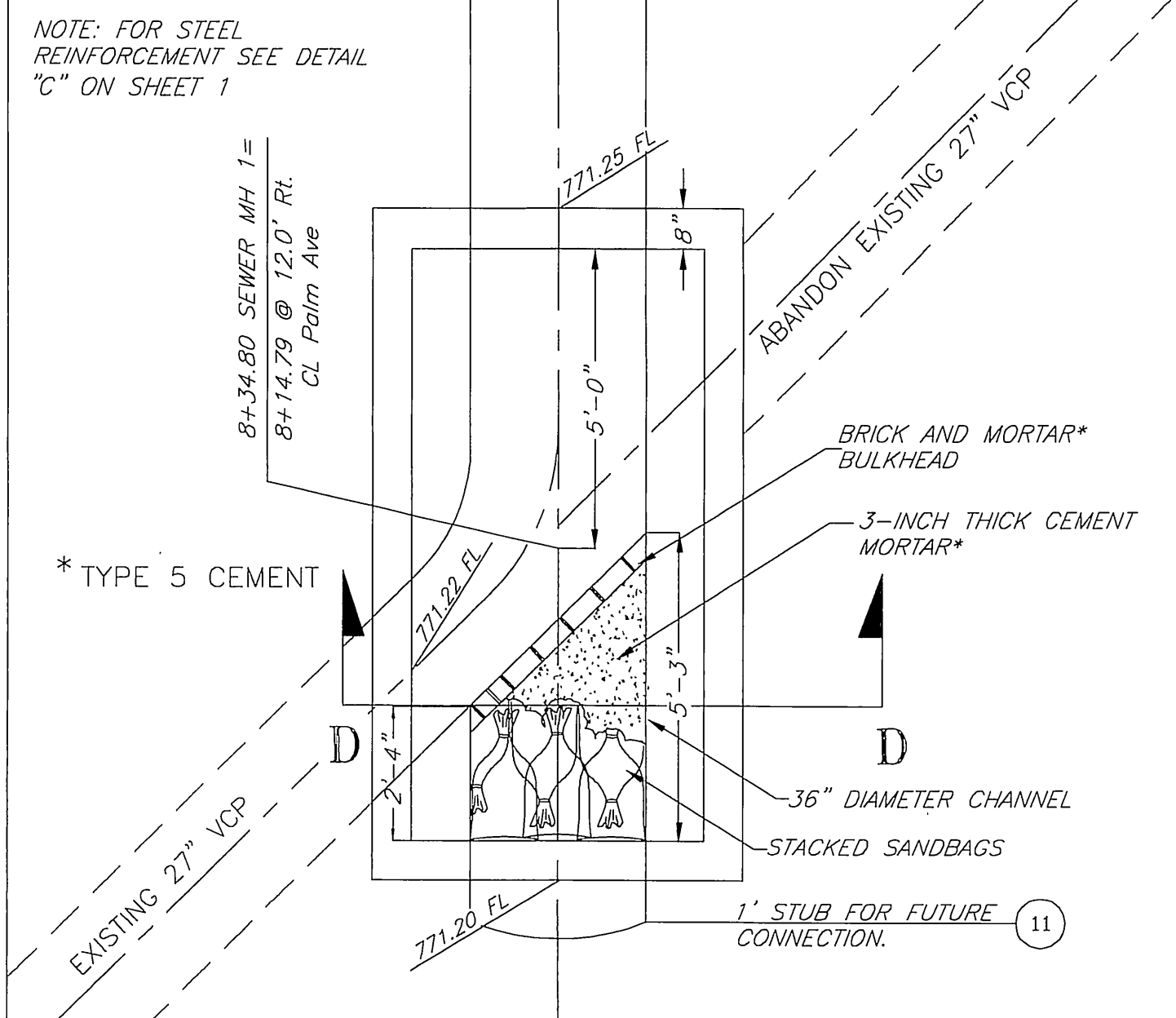
NOTES

1. CONTRACTOR SHALL CONFIRM ELEVATIONS AT BOTH ENDS OF 81-INCH STORM DRAIN PRIOR TO FABRICATING SKIDS.
2. RAILING TO BE DESIGNED BY CONTRACTOR USING ANGLE IRON WITH A 3/4" STEEL PIPE WELDED TO TOP.
3. RAILING SHALL BE DESIGNED AND MANUFACTURED TO NOT DAMAGE THE MICROTUNNELING PIPE AND MUST BE FASTENED TO EXISTING RCP STORM DRAIN IN A WAY TO MINIMIZE DAMAGE TO RCP.
4. VOID BETWEEN EXISTING RCP AND TOP OF VCP PIPE SHALL BE FILLED WITH A ONE SACK CONCRETE SLURRY MIX.
5. UPSTREAM AND DOWNSTREAM ELEVATIONS TO BE VERIFIED PRIOR TO BULKHEAD CONSTRUCTION.



MH @ 8+34.80 SEWER- DETAIL D

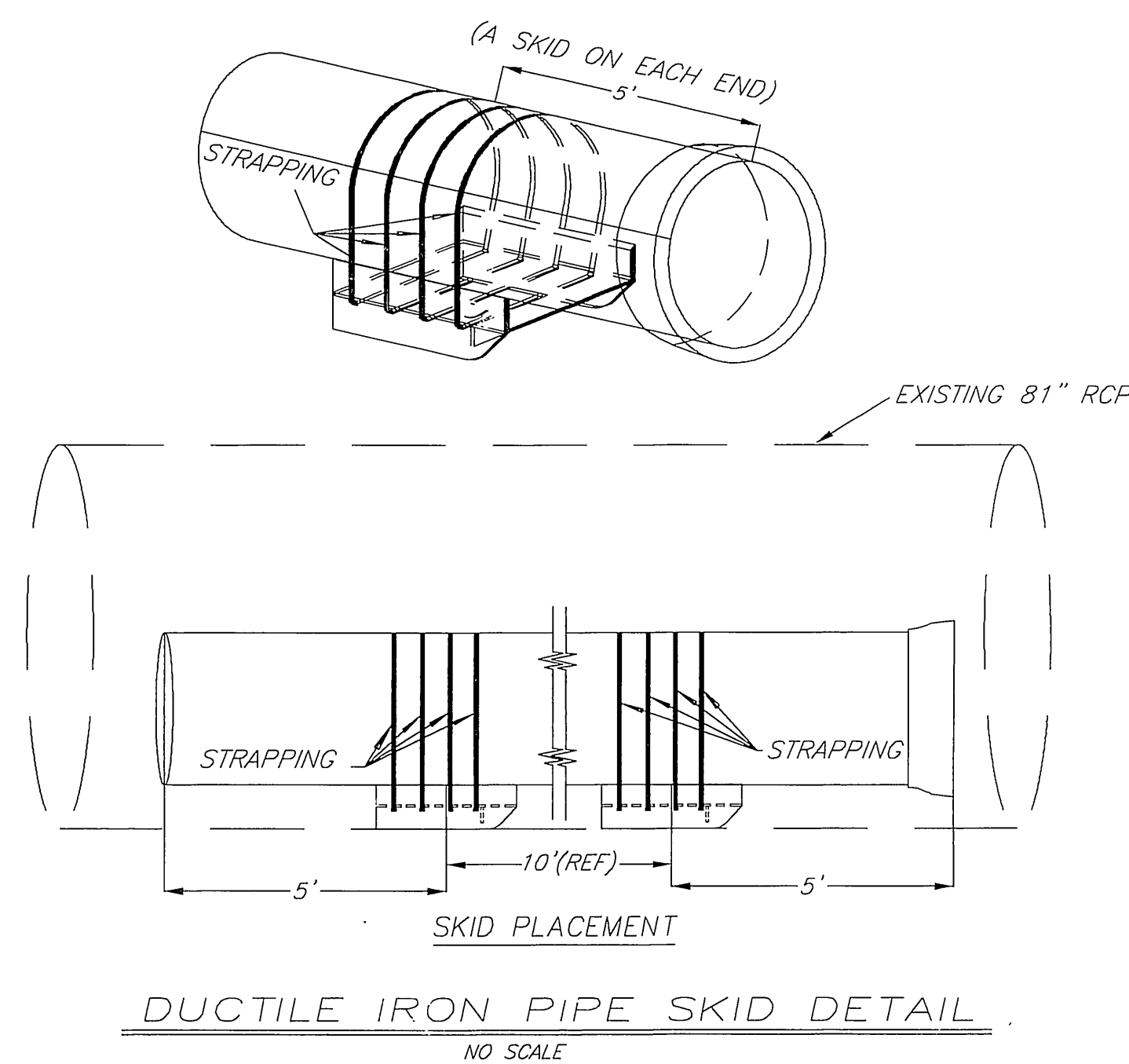
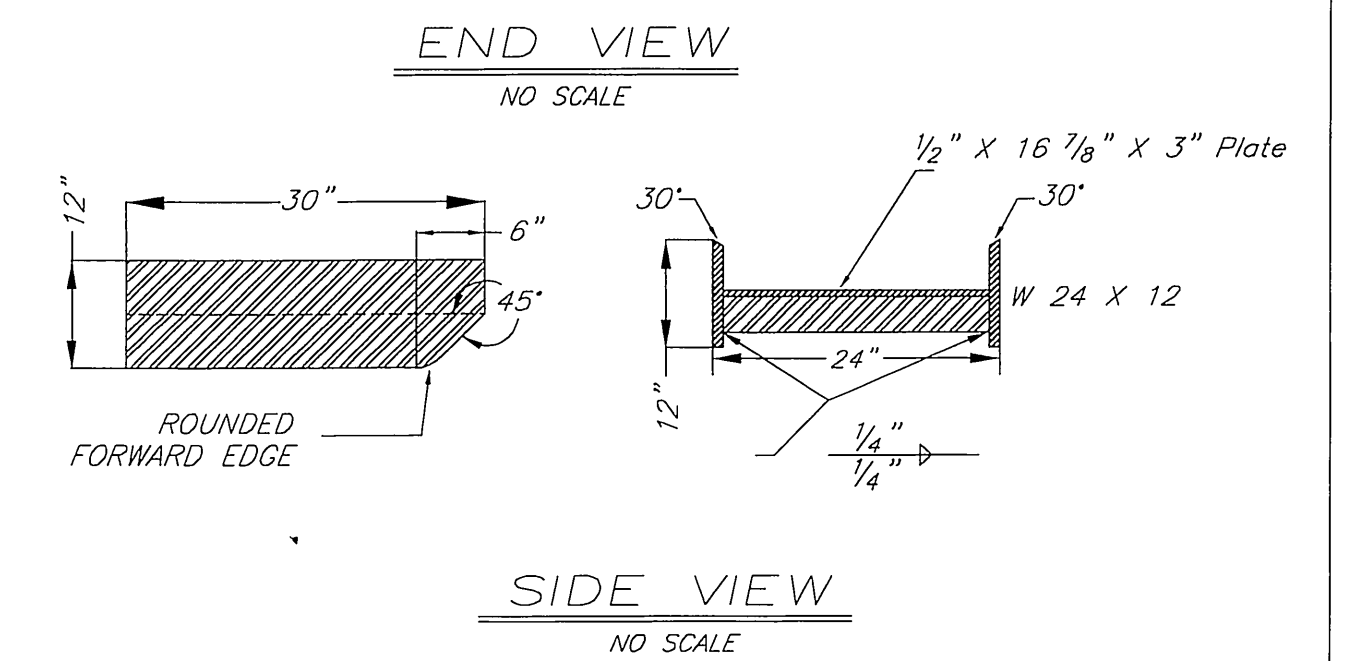
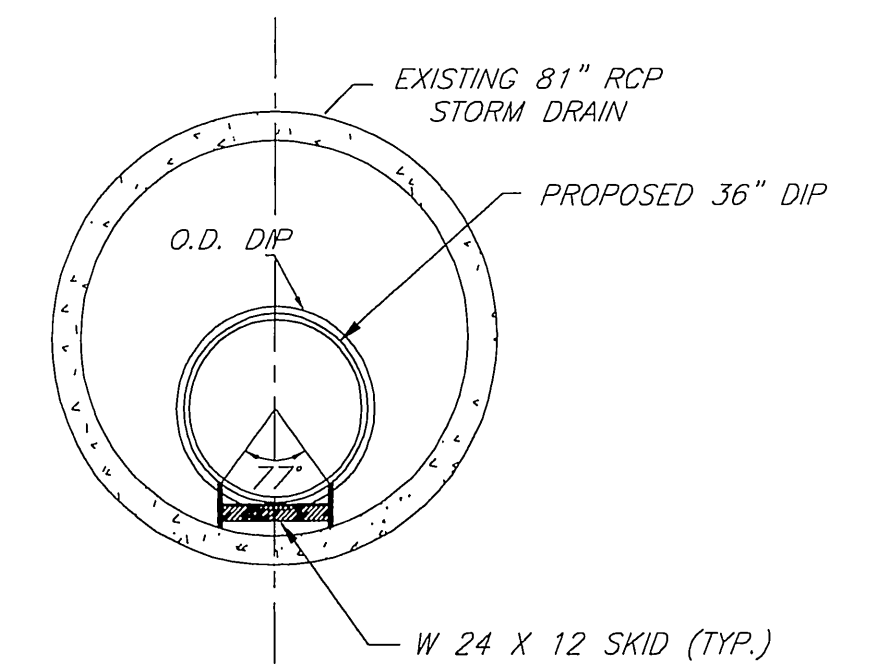
NO SCALE



ALTERNATE 1- 36" DUCTILE IRON PIPE

NOTES

1. CONTRACTOR SHALL CONFIRM ELEVATIONS AT BOTH ENDS OF 81-INCH STORM DRAIN PRIOR TO FABRICATING SKIDS.
2. SKIDS SHALL BE STEEL W 24 X 12 , 30" LONG, AND 12" HIGH. ALL SKIDS SHALL BE OF EQUAL DIMENSIONS AND POSITIONED UNIFORMLY.
3. A 1/2" X 16 7/8" X 3" STEEL PLATE TO BE WELDED TO INSIDE BOTTOM OF STEEL SKIDS AS SHOWN ON DIAGRAM. TOP OF STEEL FLANGE TO BE CUT TO 30" TO FIT PROPOSED DIP.
4. UPSTREAM AND DOWNSTREAM ELEVATIONS TO BE VERIFIED PRIOR TO SEALING CASING.
5. ENDS OF 81" RCP TO BE SEALED WITH BLOCK AND MORTAR AS SHOWN ON "BULKHEAD DETAIL". PLACE 2" MINIMUM PVC PIPE AT INVERT OF 81" RCP (THROUGH BLOCK) AND SURROUND WITH 2 CUBIC FEET CRUSHED ROCK.
6. MECHANICAL RESTRAINED JOINTS SHALL BE USED.
7. DUCTILE IRON PIPE AND FITTINGS SHALL BE LINED WITH A CERAMIC EPOXY LINING MINIMUM OF 40-MIL THICK.



BENCHMARK
16-C2 BRASS DISK STAMPED "16-C" AT THE CENTERLINE INTERSECTION OF PALM AVENUE AND PINE STREET
ELEV- 773.826

IMPORTANT NOTICE
Section 4216/4217 of the Government Code requires a Dig Alert Identification Number to be issued before a "Permit to Excavate" will be valid. For your Dig Alert I.D. Number call CALL TOLL FREE 48 HOURS BEFORE YOU DIG UNDERGROUND SERVICE ALERT 1-800-227-2600
DATE 11/2/05

ENGINEER IN RESPONSIBLE CHARGE
LAUREN F. CALDWELL
R.C.E. No. 39441 expires 12/31/05
DATE 11/2/05

MARK	REVISIONS	APPR.	DATE

CITY OF RIVERSIDE, CALIFORNIA
PUBLIC WORKS DEPARTMENT
APPROVED BY: [Signature]
INSPECTOR: [Signature]
SURVEYOR: [Signature]
WASTE WATER OPS. MGR.: [Signature]
DATE 11/2/05

TEQUESQUITE SEWER
FROM PALM AVENUE
TO BROCKTON AVENUE
SCALE: AS SHOWN

ACC. No. 976423203-44030109
W.O. 0501807
S-1852
SHEET 4 OF 4