

SEWER IMPROVEMENT PLANS

TRACT NO. 31415

GENERAL NOTES

- NO PERSON SHALL PERFORM ANY CONSTRUCTION ACTIVITY OR INSTALL ANY OBJECTS WITHIN THE PUBLIC RIGHTS-OF-WAY OR EASEMENTS OF THE CITY OF RIVERSIDE WITHOUT A VALID CONSTRUCTION PERMIT OR, A STREET OPENING PERMIT OR AN ENCROACHMENT PERMIT ISSUED BY THE CITY'S PUBLIC WORKS DEPARTMENT.
- IT SHALL BE THE RESPONSIBILITY OF THE CONTRACTOR TO CLEAR THE RIGHT-OF-WAY IN ACCORDANCE WITH THE PROVISIONS OF LAW AS IT AFFECTS EACH UTILITY INCLUDING IRRIGATION LINES AND APPURTENANCES AND AT NO COST TO THE CITY.
- CONSTRUCTION SHALL BE IN ACCORDANCE WITH THE CITY OF RIVERSIDE DEPARTMENT OF PUBLIC WORKS' STANDARD DRAWINGS, ITS SUPPLEMENTAL NOTES AND THE STANDARD SPECIFICATIONS FOR PUBLIC WORKS CONSTRUCTION, CURRENT EDITION.
- THE PRIVATE ENGINEER SIGNING THESE PLANS IS RESPONSIBLE FOR ASSURING THE ACCURACY AND ACCEPTABILITY OF THE WORK HEREON. IN THE EVENT OF DISCREPANCIES ARISING DURING CONSTRUCTION, THE PRIVATE ENGINEER SHALL BE RESPONSIBLE FOR DETERMINING AN ACCEPTABLE SOLUTION AND REVISING THE PLANS FOR APPROVAL BY THE CITY.
- THE CONTRACTOR SHALL BE RESPONSIBLE FOR PRESERVING OR RE-ESTABLISHING AND REFERENCING SURVEY MONUMENTS DESTROYED, DISTURBED OR BURIED AS A RESULT OF CONSTRUCTION SHOWN HEREON.
- ALL FLAGGED ELEVATIONS SHALL BE STAKED IN THE FIELD BY THE PRIVATE ENGINEER.
- THE CONTRACTOR SHALL CALL IN A LOCATION REQUEST TO UNDERGROUND SERVICE ALERT (USA), PHONE # 1-800-227-2600, TWO WORKING DAYS BEFORE DIGGING. NO CONSTRUCTION PERMIT WILL BE ISSUED BY THE PUBLIC WORKS DEPARTMENT INVOLVING EXCAVATION FOR UNDERGROUND FACILITIES UNLESS THE APPLICANT HAS PROVIDED AN INQUIRY IDENTIFICATION NUMBER BY U.S.A.
- LOCATION OF LATERALS TO BE DETERMINED IN THE FIELD AT THE DIRECTION OF THE OWNER. AVOID CONFLICT WITH PROPOSED AND/OR EXISTING FACILITIES.
- CONTRACTOR IS TO VERIFY EXISTING SEWER LOCATION AND ELEVATION PRIOR TO START OF CONSTRUCTION.
- A PLUG IS TO BE INSTALLED AND WILL REMAIN IN PLACE WHERE THE NEW SEWER CONNECTS WITH THE EXISTING SEWER UNTIL THE NEW SEWER IS ACCEPTED BY THE CITY.
- THE SEWER CONTRACTOR SHALL ADJUST MANHOLES TO FINAL GRADE AFTER PAVING IS COMPLETED.
- NO FINISH FLOOR ELEVATION SHALL BE LESS THAN 6" ABOVE THE UPPER MANHOLE RIM ELEVATION OF THE SEWER LINE SEGMENT BEING CONNECTED TO, WITHOUT HAVING A PROPER BACKWATER VALVE INSTALLED IN THE LATERAL.

NOTICE TO CONTRACTOR

THE EXISTENCE AND LOCATIONS OF ALL UNDERGROUND UTILITIES (UTILITY PIPES, STRUCTURES, ETC.) SHOWN ON THESE PLANS (MAIN LINES ONLY - NO SERVICE LATERALS) WERE ASCERTAINED BY A REVIEW OF RECORDS PROVIDED BY THESE MEMBER AGENCIES AND ARE APPROXIMATE. NEITHER THE OWNER NOR THE ENGINEER ASSUMES ANY RESPONSIBILITY FOR UTILITIES NOT SHOWN OR NOT IN THE LOCATION SHOWN.

THE CONTRACTOR IS REQUIRED TO TAKE DUE PRECAUTIONARY MEASURES TO PROTECT THE UTILITY LINES SHOWN AND ANY OTHER LINES NOT OF RECORD OR NOT SHOWN ON THESE PLANS. LOCATIONS OF UTILITIES SHALL BE VERIFIED BY THE CONTRACTOR PRIOR TO COMMENCEMENT OF CONSTRUCTION.

CALL UNDERGROUND SERVICE ALERT (U.S.A.) 1-800-227-2600 AT LEAST 2 WORKING DAYS PRIOR TO COMMENCEMENT OF CONSTRUCTION.

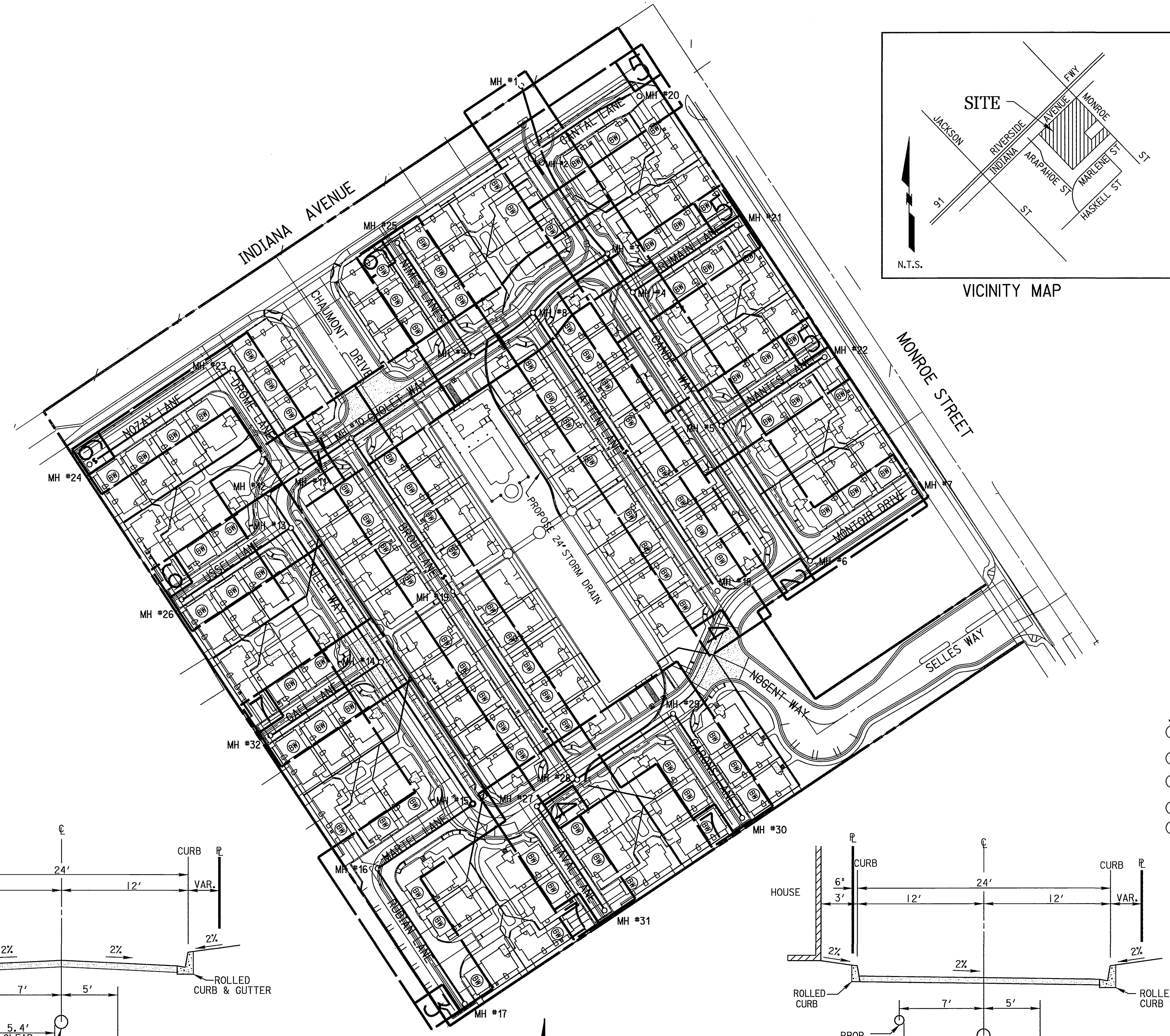
LEGEND

- PROPOSED SEWER MAIN AND MH
- EXIST SEWER MAIN
- PROPOSED 4" SEWER LATERAL
- PROPOSED 8" WATER MAIN
- BACK METER VALVE

ENGINEER'S NOTES

THE PRIVATE ENGINEER SIGNING THESE PLANS IS RESPONSIBLE FOR ASSURING THE ACCURACY OF DESIGN AND ACCEPTABILITY OF THE DESIGN HEREON. IN THE EVENT OF DISCREPANCIES ARISING AFTER CITY APPROVAL OR DURING CONSTRUCTION, THE CONTRACTOR SHALL IMMEDIATELY CONTACT THE PRIVATE ENGINEER FOR CLARIFICATION. THE PRIVATE ENGINEER SHALL BE RESPONSIBLE FOR DETERMINING AN ACCEPTABLE SOLUTION AND REVISING THE PLANS FOR APPROVAL BY THE CITY.

PRIVATE ENGINEER WILL NOT BE PROVIDING INSPECTION SERVICES OR CONSTRUCTION REVIEW. THESE FUNCTIONS ARE THE RESPONSIBILITY OF THE CITY AND/OR THE GENERAL CONTRACTOR. ENGINEER ACCEPTS NO LIABILITY FOR SUCH FUNCTIONS OR WORK THEREOF.



WORK TO BE DONE

THESE IMPROVEMENTS CONSIST OF THE FOLLOWING WORK TO BE DONE ACCORDING TO THESE PLANS, THE CURRENT CITY OF RIVERSIDE STANDARDS AND SPECIFICATIONS, AND THE LATEST EDITION OF THE STANDARD SPECIFICATIONS FOR PUBLIC WORKS CONSTRUCTION ('GREEN BOOK').

PRIVATE ENGINEER'S NOTE TO CONTRACTOR

ALL CONTRACTORS AND SUB-CONTRACTORS PERFORMING WORK SHOWN ON OR RELATED TO THESE PLANS SHALL CONDUCT THEIR OPERATION SO THAT ALL EMPLOYEES ARE PROVIDED A SAFE PLACE TO WORK AND THE PUBLIC IS PROTECTED. ALL CONTRACTORS AND SUB-CONTRACTORS SHALL COMPLY WITH THE 'OCCUPATIONAL SAFETY AND HEALTH REGULATIONS' OF THE U.S. DEPARTMENT OF LABOR AND THE STATE OF CALIFORNIA DEPARTMENT OF INDUSTRIAL RELATIONS 'CONSTRUCTION SAFETY ORDERS.' THE CIVIL ENGINEER SHALL NOT BE RESPONSIBLE IN ANY WAY FOR THE CONTRACTORS AND SUB-CONTRACTORS COMPLIANCE WITH SAID REGULATIONS AND ORDERS.

CONTRACTOR FURTHER AGREES THAT HE SHALL ASSUME SOLE AND COMPLETE RESPONSIBILITY FOR JOB-SITE CONDITIONS DURING THE COURSE OF CONSTRUCTION FOR THIS PROJECT, INCLUDING SAFETY OF ALL PERSONS AND PROPERTY, THAT THIS REQUIREMENT SHALL APPLY CONTINUOUSLY AND NOT BE LIMITED TO NORMAL WORKING HOURS, AND THAT THE CONTRACTOR SHALL DEFEND, INDEMNIFY AND HOLD THE OWNER AND THE CIVIL ENGINEER HARMLESS FROM ANY AND ALL LIABILITY, REAL OR ALLEGED, IN CONNECTION WITH THE PERFORMANCE OF WORK ON THIS PROJECT, EXCEPTION FOR LIABILITY ARISING FROM THE SOLE NEGLIGENCE OF THE OWNER OR ENGINEER.

THE EXISTENCE AND APPROXIMATE LOCATIONS OF ANY UNDERGROUND UTILITIES OR STRUCTURES SHOWN ON THESE PLANS ARE OBTAINED BY A SEARCH OF THE AVAILABLE RECORDS. THE CIVIL ENGINEER ASSUMES NO LIABILITY AS TO THE EXACT LOCATION OF SAID LINES NOR FOR UTILITY OR IRRIGATION LINES WHOSE LOCATIONS ARE NOT SHOWN. THE CONTRACTOR SHALL BE RESPONSIBLE FOR NOTIFYING ALL UTILITY AND IRRIGATION COMPANIES PRIOR TO WORK OR EXCAVATION TO DETERMINE THE EXACT LOCATIONS OF ALL LINES AFFECTING THIS WORK, WHETHER OR NOT SHOWN HEREON, AND FOR ANY DAMAGE OR PROTECTION TO THESE LINES.

DEVELOPER/OWNER

D.R. HORTON LOS ANGELES HOLDING CO., INC.
119 N. MAPLE STREET, SUITE A
CORONA, CALIFORNIA 92880
TEL: (951)272-9000 FAX: (951)272-9797

ENGINEER

RICK ENGINEERING COMPANY
1223 UNIVERSITY AVE., SUITE 240
RIVERSIDE, CA. 92507
TEL: (951)782-0707 FAX: (951)782-0723
CONTACT: MATTHEW ADDINGTON

SOILS ENGINEER

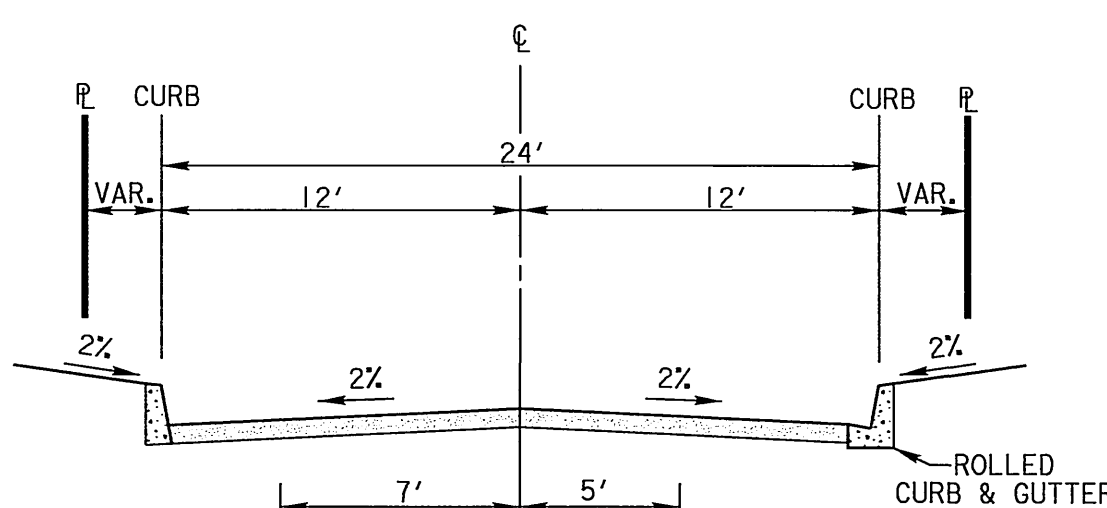
GEOSOILS, INC.
26590 MADISON AVENUE
MURRIETA, CA. 92562
(951)677-9651 FAX: (951)677-9301
CONTACT: PAUL McCLAY

UTILITIES

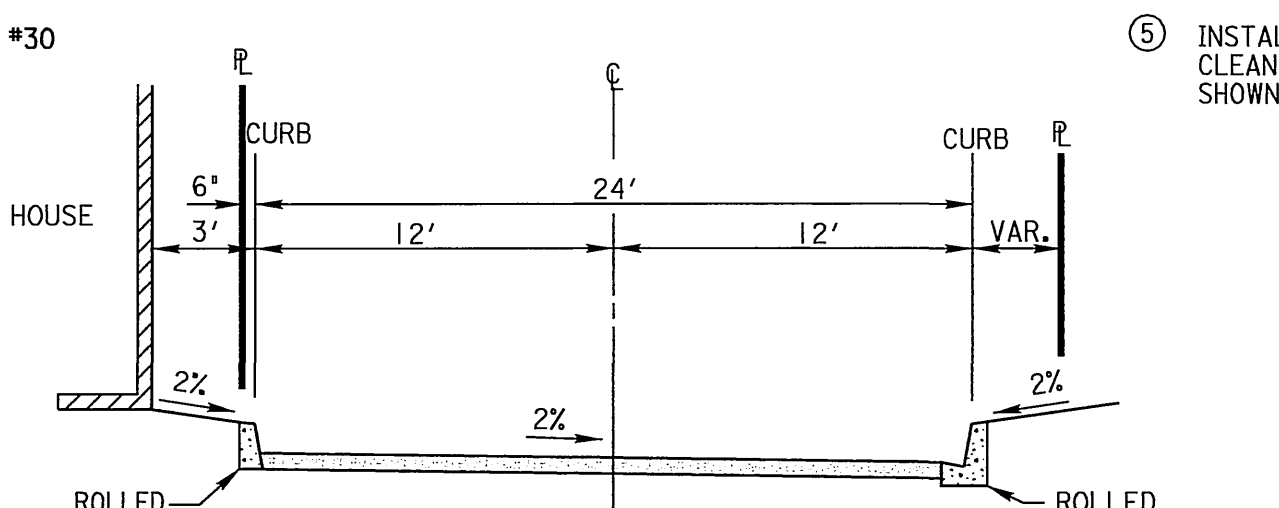
POWER:	CITY OF RIVERSIDE	951-826-5421
WATER:	CITY OF RIVERSIDE	951-826-5421
TELEPHONE:	PACIFIC TELEPHONE CO.	909-666-5454
SEWER:	CITY OF RIVERSIDE	951-351-6140
GAS:	SOUTHERN CALIFORNIA GAS COMPANY	909-335-3919

CONSTRUCTION NOTES AND QUANTITY ESTIMATE

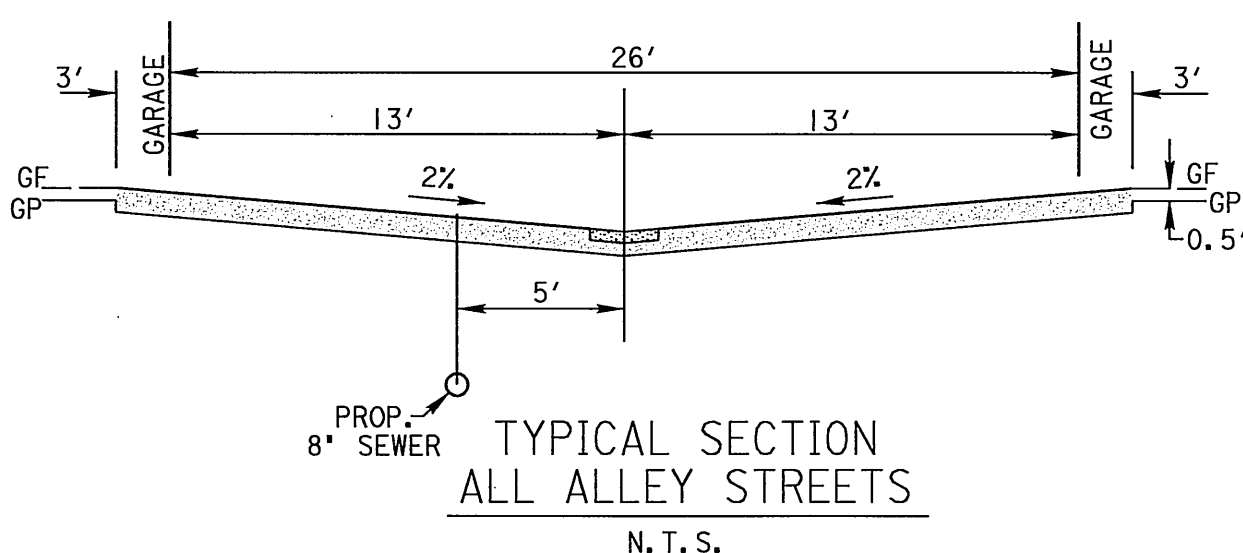
- INSTALL 8" VCP SEWER MAIN, PIPE BEDDING PER CITY OF RIVERSIDE STD. DWG. NO. 452 (CASE 3) 3,665 LF
- INSTALL 4" DIAMETER SEWER MANHOLE PER CITY OF RIVERSIDE STD. DWG. NO. 500 32 EA
- INSTALL 4" SEWER LATERAL WITH PROPERTY LINE CLEANOUT PER CITY OF RIVERSIDE STD. DWG. NO. 562A, & STD DWG. 452 (CASE 3) 1,020 LF
- INSTALL 4" SEWER CLEANOUT PER CITY OF RIVERSIDE STD. DWG. NO. 560. 1 EA
- INSTALL 4" SEWER LATERAL UNDER STORM DRAIN WITH PROPERTY LINE CLEANOUT PER CITY OF RIVERSIDE STD. DWG. NO. 554 (CASE D) AS SHOWN & 562A 30 LF



TYPICAL SECTION
CHOLET WAY & MONTOIR DRIVE
PARALLEL TO INDIANA AVENUE
N.T.S.



TYPICAL SECTION
CANDE WAY & TULLE WAY
PERPENDICULAR TO INDIANA AVENUE
N.T.S.



TYPICAL SECTION
ALL ALLEY STREETS
N.T.S.

INDEX MAP
SCALE: 1"= 60'

DIG ALERT
CALL BEFORE YOU DIG!
1-800-227-2600
UNDERGROUND SERVICE ALERT
Call at least 2 working days prior to excavating.

CITY OF RIVERSIDE
WATER SYSTEM
APPROVED BY: [Signature]
DATE: 11/05

REGISTERED PROFESSIONAL ENGINEER
MARTIN L. ANDERSON
No. 51313
Exp. 6-30-06
CIVIL
STATE OF CALIFORNIA

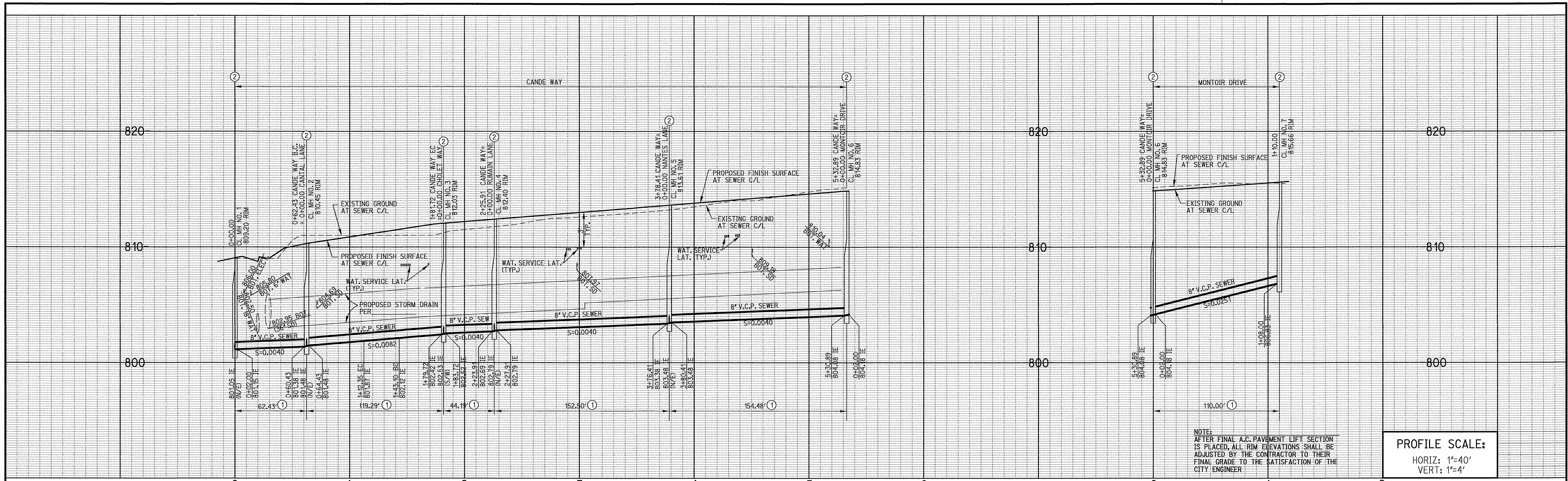
PREPARED UNDER THE DIRECTION OF
MARTIN L. ANDERSON
REGISTERED CIVIL ENGINEER NO. 51313
EXPIRATION DATE 6-30-06

RICK ENGINEERING COMPANY
San Diego Riverside Orange Phoenix Tucson
1223 University Ave., Ste. 240 - Riverside, CA 92507-9418 - (951)782-0707 - FAX (951)782-0723 - www.rickeng.com
CITY OF RIVERSIDE BUSINESS TAX CERTIFICATE: No. 35225 EXP. DATE: 07/20/2005
BENCH MARK POINT ID: F4-A1 ELEVATION: 810.933 REF: FB735/7 DATUM: 1929 CALIFORNIA DIVISION OF HIGHWAYS BRAS DISK STAMPED 'C/L MONROE' IN WELL AT 40 FEET NORTHERLY ALONG THE CENTERLINE OF MONROE STREET FROM THE INTERSECTION OF MONROE STREET AND INDIANA AVENUE

DESIGNED BY: SGS DRAWN BY: ME CHECKED BY: MA

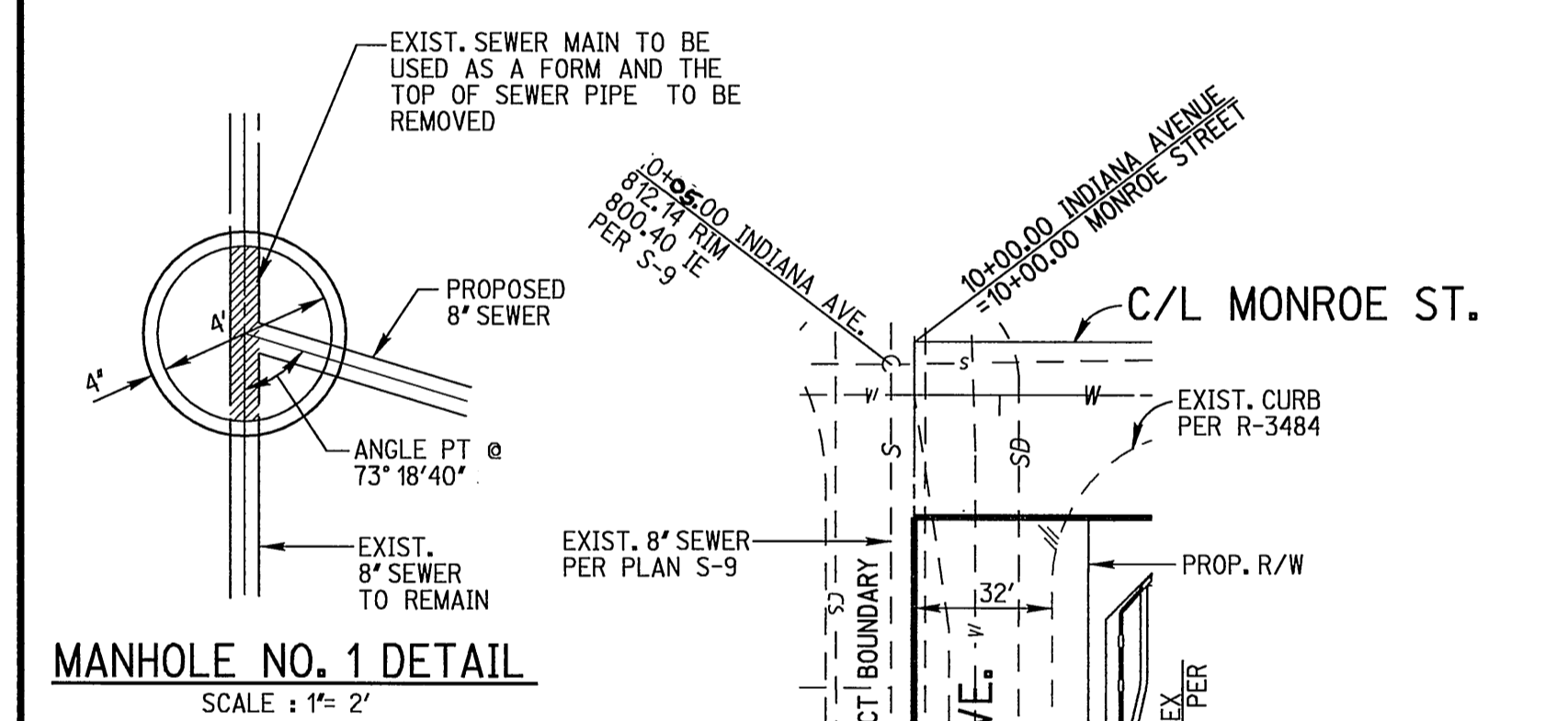
CITY OF RIVERSIDE
PUBLIC WORKS DEPARTMENT
APPROVED BY: [Signature]
DATE: 2/17/05

SEWER IMPROVEMENT PLANS
TRACT 31415
TITLE SHEET
PW04-0696
S-1867
SHEET 1 of 7
SCALE: HORIZ: 1"= 100' VERT: N/A
FILE NO.



NOTE:
AFTER FINAL A.C. PAVEMENT LIFT SECTION IS PLACED, ALL RIM ELEVATIONS SHALL BE ADJUSTED BY THE CONTRACTOR TO THEIR FINAL GRADE TO THE SATISFACTION OF THE CITY ENGINEER

PROFILE SCALE:
HORIZ: 1"=40'
VERT: 1"=4'

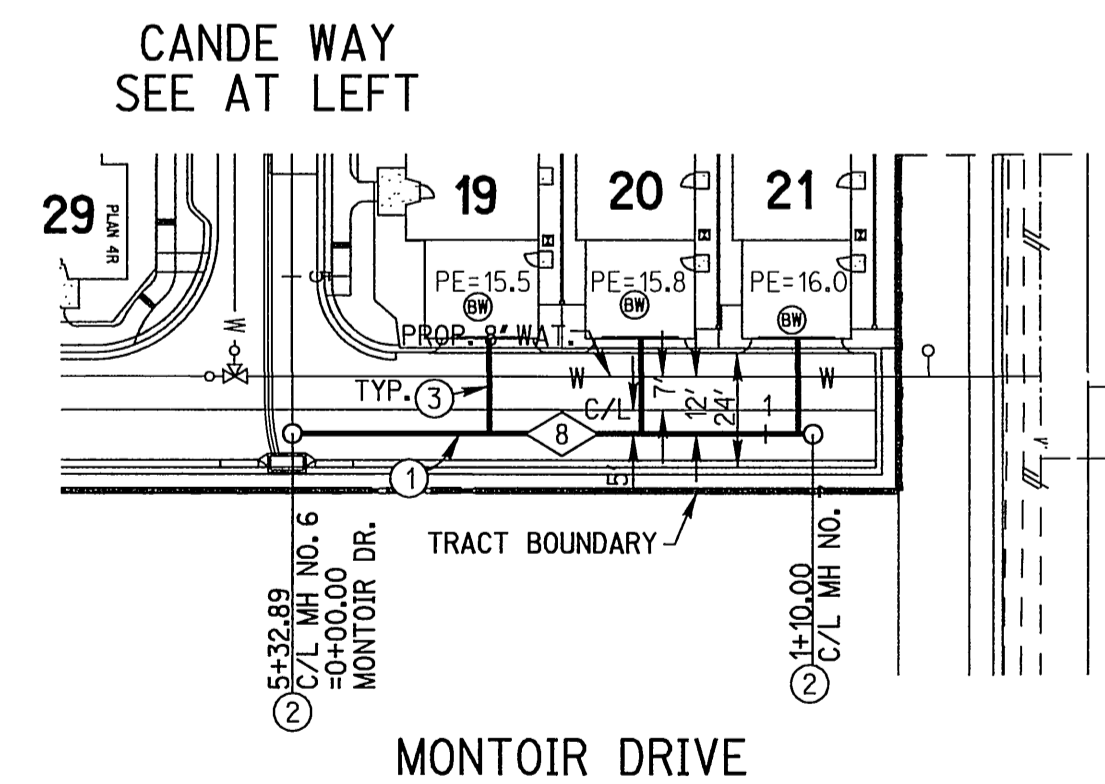
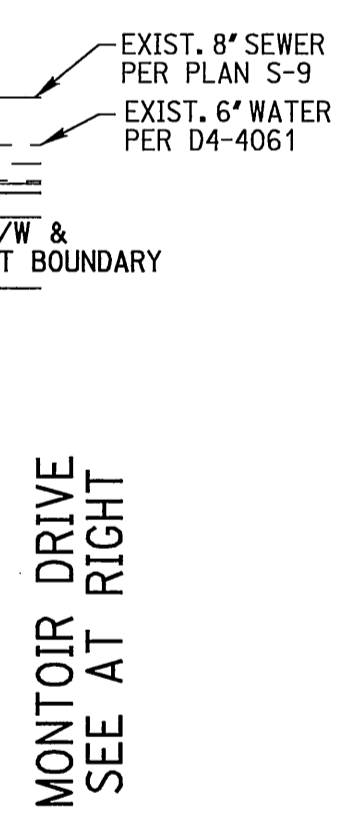
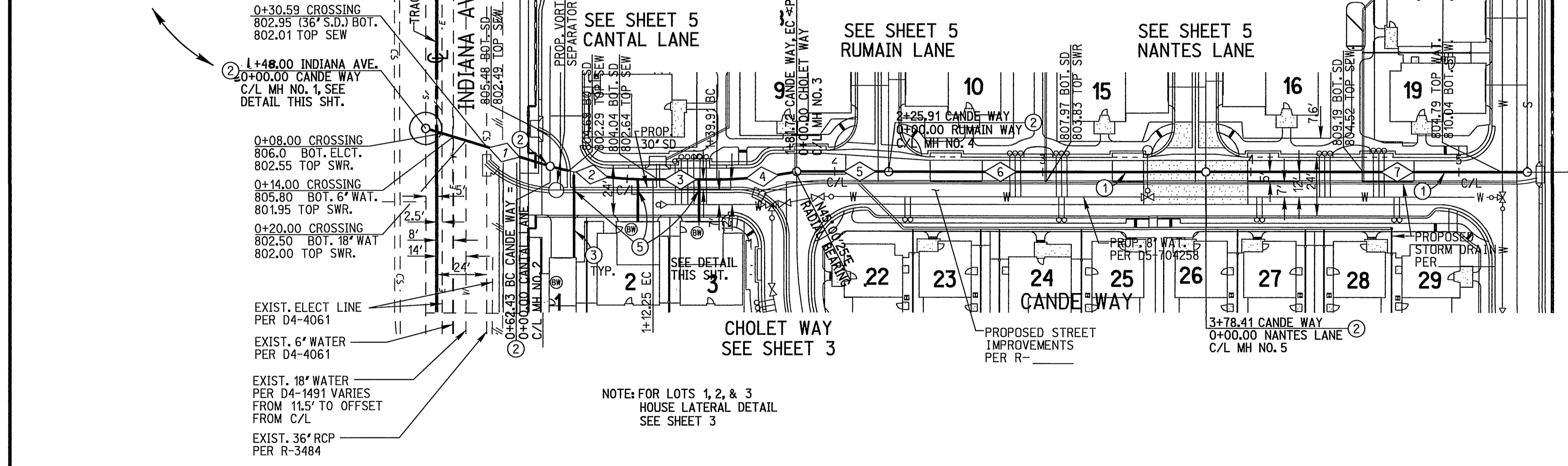
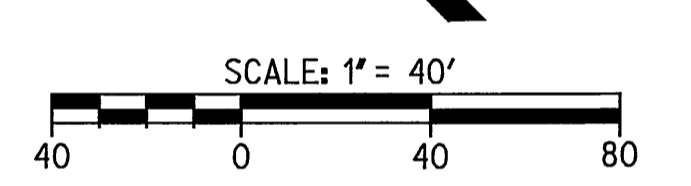


CONSTRUCTION NOTES

- INSTALL 8" VCP SEWER MAIN, PIPE BEDDING PER CITY OF RIVERSIDE STD. DWG. NO. 452 (CASE 3).
- INSTALL 4' DIAMETER SEWER MANHOLE PER CITY OF RIVERSIDE STD. DWG. NO. 500
- INSTALL 4" SEWER LATERAL WITH PROPERTY LINE CLEANOUT PER CITY OF RIVERSIDE STD. DWG. NO. 562A.
- INSTALL 4" SEWER LATERAL UNDER STORM DRAIN WITH PROPERTY LINE CLEAN OUT PER CITY OF RIVERSIDE STD. DWG. NO'S. 554, (CASE D) AS SHOWN 562A.

SEWER DATA

NO.	DELTA OR BRG.	RADIUS	LENGTH	REMARK
1	N 16°57'15" W		62.43'	
2	14°40'07"	195.00'	49.92'	25.10'
3	N 33°38'45" W		30.75'	
4	11°20'50"	195.00'	38.62'	19.37'
5	N 33°38'45" W		44.19'	
6	N 33°38'45" W		152.50'	
7	N 33°38'45" W		154.50'	
8	N 56°22'06" E		110.00'	



DIG ALERT

CALL BEFORE YOU DIG!

1-800-227-2600

UNDERGROUND SERVICE ALERT

Call at least 2 working days prior to excavating.

CITY OF RIVERSIDE
WATER SYSTEM

APPROVED BY: *[Signature]*

DATE: 1/6/05

REGISTERED PROFESSIONAL ENGINEER

MARTIN L. ANDERSON
No. 51313
Exp. 6-30-06

PREPARED UNDER THE DIRECTION OF

WATER SYSTEM

RICK ENGINEERING COMPANY

San Diego Riverside Orange Phoenix Tucson

1223 University Ave., Ste. 240 • Riverside, CA 92507-3418 • (951)782-0707 • FAX (951)782-0723 • www.rickeng.com

CITY OF RIVERSIDE BUSINESS TAX CERTIFICATE No. 35225 EXP. DATE: 01/20/2005

BENCH MARK POINT ID: F4-A1 ELEVATION: 810.933 REF: FB735/7 DATUM: 1929 CALIFORNIA DIVISION OF HIGHWAYS BRAS DISK STAMPED "C/L MONROE" IN WELL AT 40 FEET NORTHERLY ALONG THE CENTERLINE OF MONROE STREET FROM THE INTERSECTION OF MONROE STREET AND INDIANA AVENUE

DESIGNED BY: SGS
DRAWN BY: ME
CHECKED BY: MA

CITY OF RIVERSIDE
PUBLIC WORKS DEPARTMENT

APPROVED BY: *[Signature]*

DATE: 2/1/05

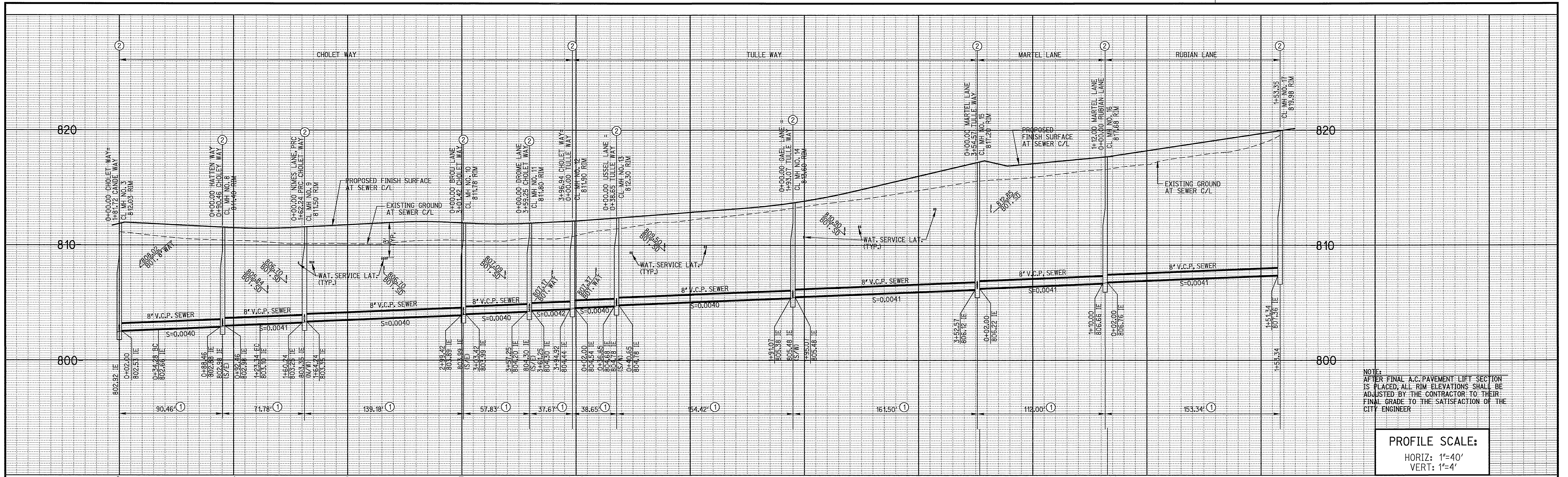
SEWER IMPROVEMENT PLANS
TRACT 31415
CANDE WAY 0+00.00 TO 5+29.72
MONTOIR DR. 0+00.00 TO 1+10.00

PW04-0696
S-1867

SHEET 2 OF 7

SCALE:
HORIZ: 1"=40' VERT: 1"=4'

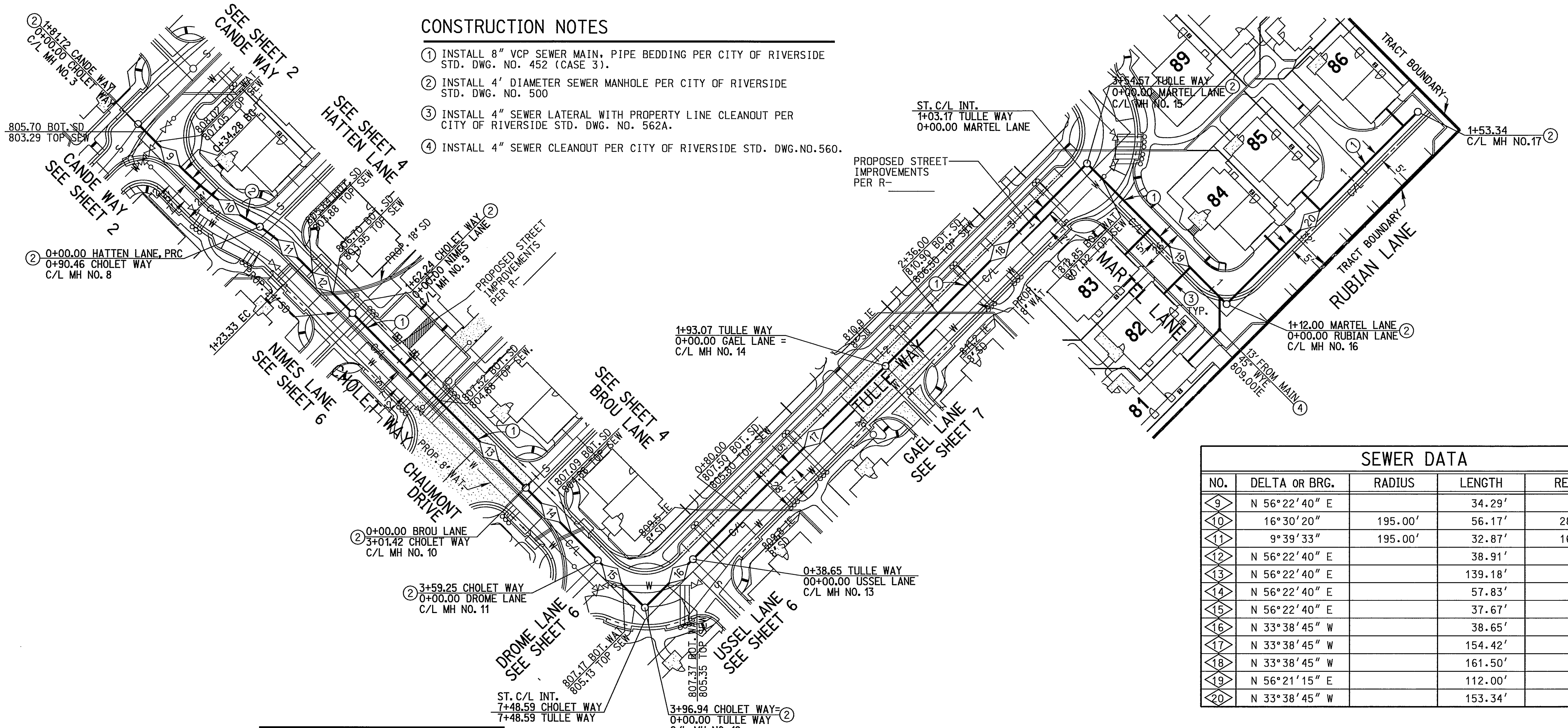
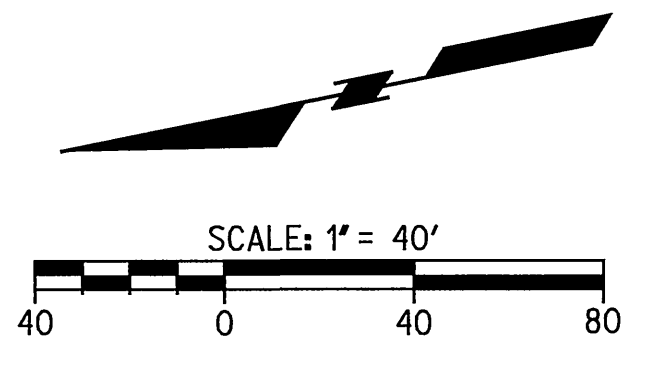
FILE NO.



NOTE:
AFTER FINAL A.C. PAVEMENT LIFT SECTION IS PLACED, ALL RIM ELEVATIONS SHALL BE ADJUSTED BY THE CONTRACTOR TO THEIR FINAL GRADE TO THE SATISFACTION OF THE CITY ENGINEER

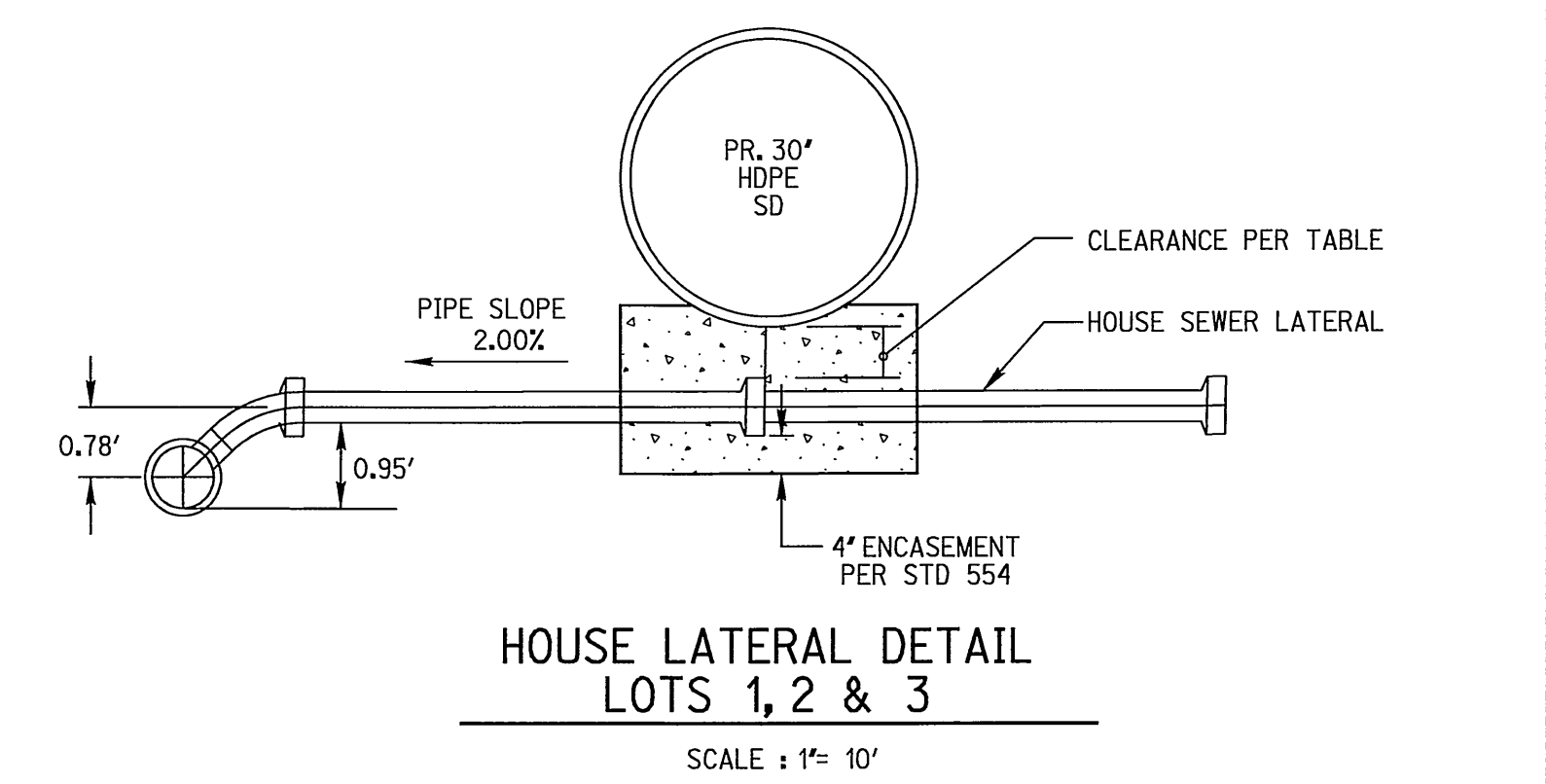
PROFILE SCALE:
HORIZ: 1"=40'
VERT: 1"=4'

- ### CONSTRUCTION NOTES
- INSTALL 8" VCP SEWER MAIN, PIPE BEDDING PER CITY OF RIVERSIDE STD. DWG. NO. 452 (CASE 3).
 - INSTALL 4' DIAMETER SEWER MANHOLE PER CITY OF RIVERSIDE STD. DWG. NO. 500.
 - INSTALL 4" SEWER LATERAL WITH PROPERTY LINE CLEANOUT PER CITY OF RIVERSIDE STD. DWG. NO. 562A.
 - INSTALL 4" SEWER CLEANOUT PER CITY OF RIVERSIDE STD. DWG. NO. 560.



CLEARANCE BETWEEN SD AND SEWER LATERAL				
LOT	BOTTOM SD	TOP SEW LAT	CLEARANCE W/O BELL	CLEARANCE W/ BELL
1	803.80	803.09	0.71	0.56
2	804.03	803.26	0.77	0.62
3	804.25	803.50	0.75	0.60

SEWER DATA				
NO.	DELTA OR BRG.	RADIUS	LENGTH	REMARK
9	N 56°22'40" E		34.29'	
10	16°30'20"	195.00'	56.17'	28.28'
11	9°39'33"	195.00'	32.87'	16.48'
12	N 56°22'40" E		38.91'	
13	N 56°22'40" E		139.18'	
14	N 56°22'40" E		57.83'	
15	N 56°22'40" E		37.67'	
16	N 33°38'45" W		38.65'	
17	N 33°38'45" W		154.42'	
18	N 33°38'45" W		161.50'	
19	N 56°21'15" E		112.00'	
20	N 33°38'45" W		153.34'	



DIG ALERT
CALL BEFORE YOU DIG!
1-800-227-2600
UNDERGROUND SERVICE ALERT
Call at least 2 working days prior to excavating.

CITY OF RIVERSIDE
WATER SYSTEM
APPROVED BY: [Signature]
DATE: 2/1/05

REGISTERED PROFESSIONAL ENGINEER
MARTIN L. ANDERSON
No. 51313
Exp. 6-30-06
CIVIL
STATE OF CALIFORNIA

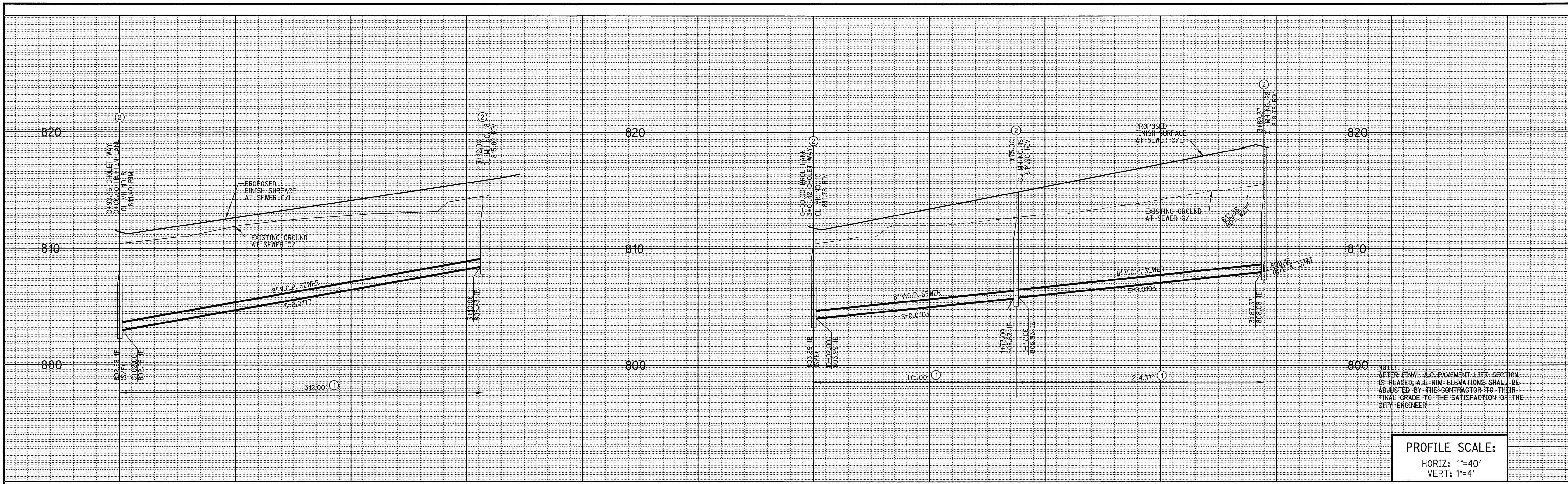
PREPARED UNDER THE DIRECTION OF
MARTIN L. ANDERSON
REGISTERED CIVIL ENGINEER No. 51313
EXPIRATION DATE 6-30-06

RICK ENGINEERING COMPANY
San Diego Riverside Orange Phoenix Tucson
1223 University Ave., Ste. 240 - Riverside, CA 92507-3418 • (951)782-0707 • FAX: (951)782-0723 • www.rickeng.com
CITY OF RIVERSIDE BUSINESS TAX CERTIFICATE No. 35225 EXP. DATE: 01/20/2005
BENCH MARK POINT ID: F4-A1 ELEVATION: 810.933 REF: FB735/7 DATUM: 1929 CALIFORNIA DIVISION OF HIGHWAYS BRAS DISK STAMPED 'C/L MONROE' IN WELL AT 40 FEET NORTHERLY ALONG THE CENTERLINE OF MONROE STREET FROM THE INTERSECTION OF MONROE STREET AND INDIANA AVENUE

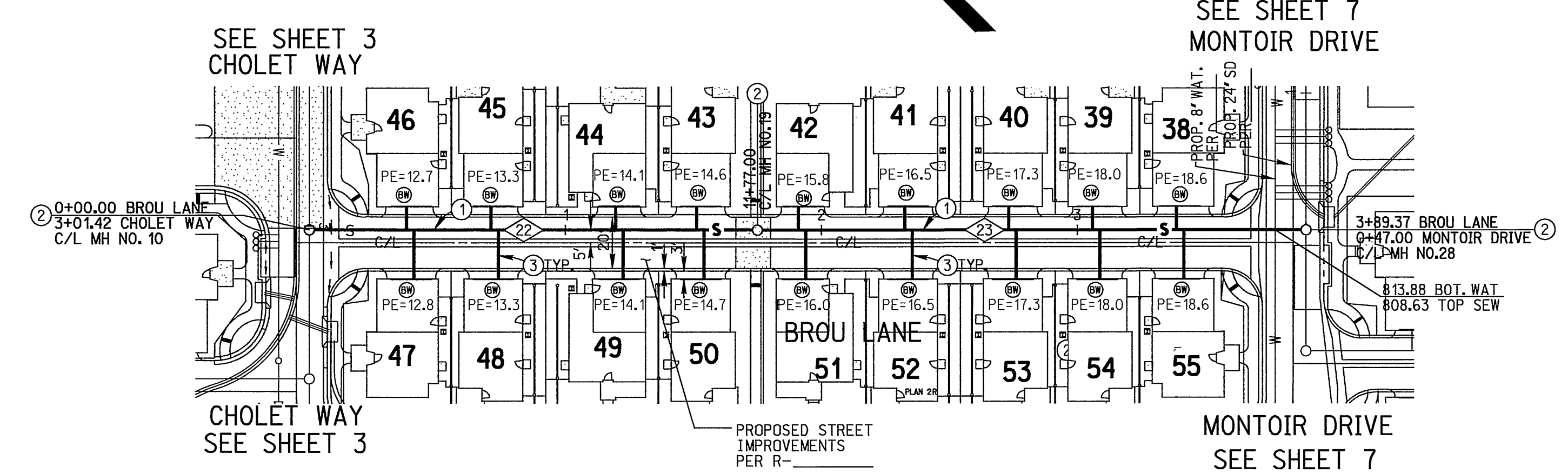
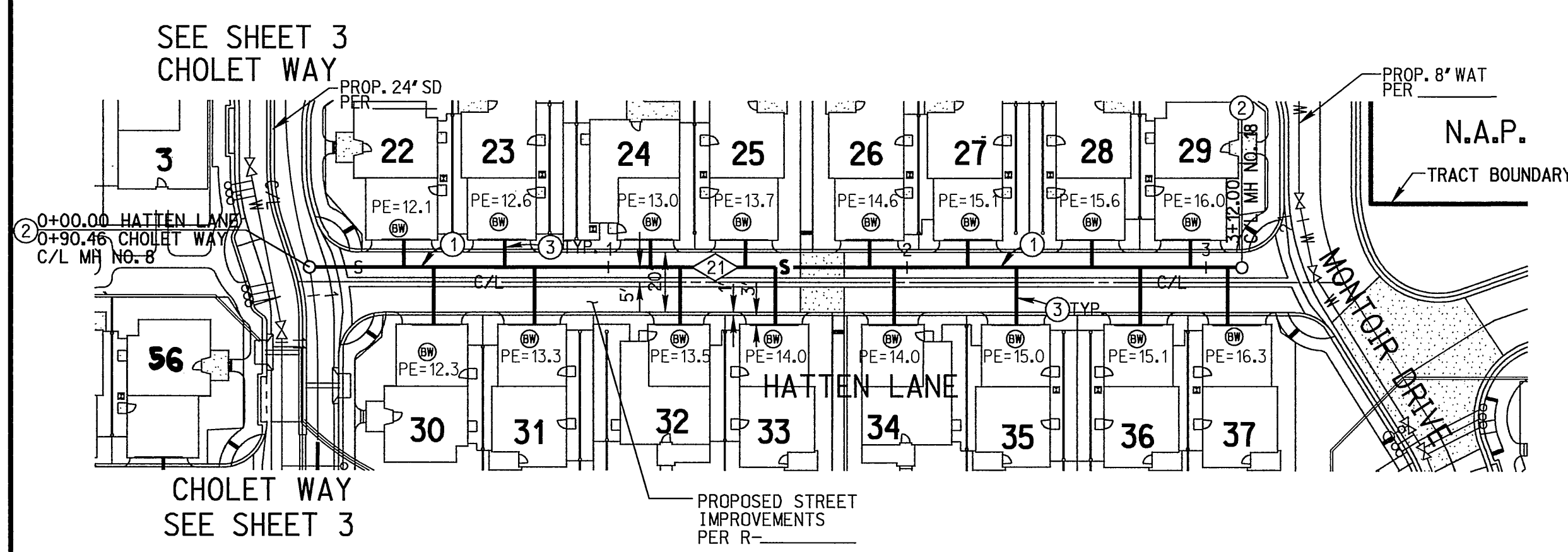
DESIGNED BY: SGS DRAWN BY: ME CHECKED BY: MA

CITY OF RIVERSIDE
PUBLIC WORKS DEPARTMENT
APPROVED BY: [Signature]
DATE: 2/1/05

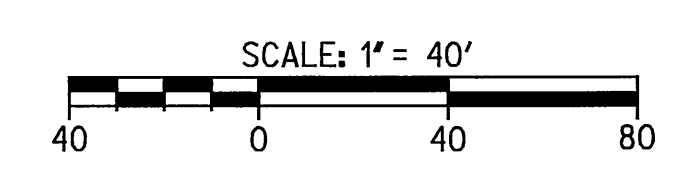
SEWER IMPROVEMENT PLANS
TRACT 31415
CHOLET WAY, TULLE WAY,
MARTEL LANE & RUBIAN LANE
PW04-0696
S-1867
SHEET 3 OF 7
SCALE: HORIZ: 1"=40' VERT: 1"=4'
FILE NO.



SEWER DATA				
NO.	DELTA OR BRG.	RADIUS	LENGTH	REMARK
1	N 33° 38' 46" W		312.00'	
2	N 33° 38' 45" W		175.00'	
3	N 33° 38' 45" W		214.37'	



- CONSTRUCTION NOTES**
- 1 INSTALL 8" VCP SEWER MAIN, PIPE BEDDING PER CITY OF RIVERSIDE STD. DWG. NO. 452 (CASE 3).
 - 2 INSTALL 4" DIAMETER SEWER MANHOLE PER CITY OF RIVERSIDE STD. DWG. NO. 500
 - 3 INSTALL 4" SEWER LATERAL WITH PROPERTY LINE CLEANOUT PER CITY OF RIVERSIDE STD. DWG. NO. 562A.



DIG ALERT
 CALL BEFORE YOU DIG!
 1-800-227-2600
 UNDERGROUND SERVICE ALERT
 Call at least 2 working days prior to excavating.

CITY OF RIVERSIDE
 WATER SYSTEM
 APPROVED BY: [Signature]
 DATE: [Date]

REGISTERED PROFESSIONAL ENGINEER
 MARTIN L. ANDERSON
 No. 51313
 Exp. 6-30-06
 CIVIL
 STATE OF CALIFORNIA

PREPARED UNDER THE DIRECTION OF
 [Signature]
 MARTIN L. ANDERSON
 REGISTERED CIVIL ENGINEER NO. 51313
 EXPIRATION DATE 6-30-06

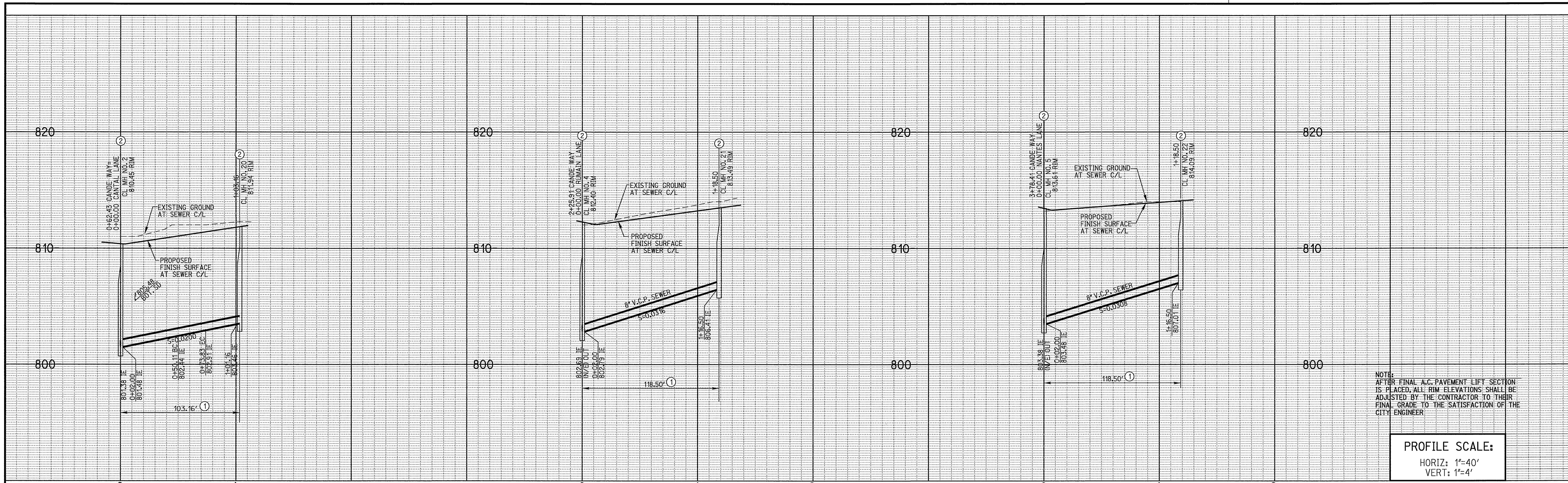
RICK ENGINEERING COMPANY
 San Diego Riverside Orange Phoenix Tucson
 1223 University Ave., Ste. 240 - Riverside, CA 92507-3418 • (951)782-0707 • FAX (951)782-0723 • www.rickeng.com
 CITY OF RIVERSIDE BUSINESS TAX CERTIFICATE No. 35225 EXP. DATE 07/20/2005
 BENCH MARK POINT ID: F4-A1 ELEVATION: 810.933 REF: FB735/7 DATUM: 1929
 CALIFORNIA DIVISION OF HIGHWAYS BRAS DISK STAMPED 'C/L MONROE' IN WELL AT 40 FEET NORTHERLY ALONG THE CENTERLINE OF MONROE STREET FROM THE INTERSECTION OF MONROE STREET AND INDIANA AVENUE

MARK	REVISIONS	APPR	DATE

DESIGNED BY: SGS DRAWN BY: ME CHECKED BY: MA

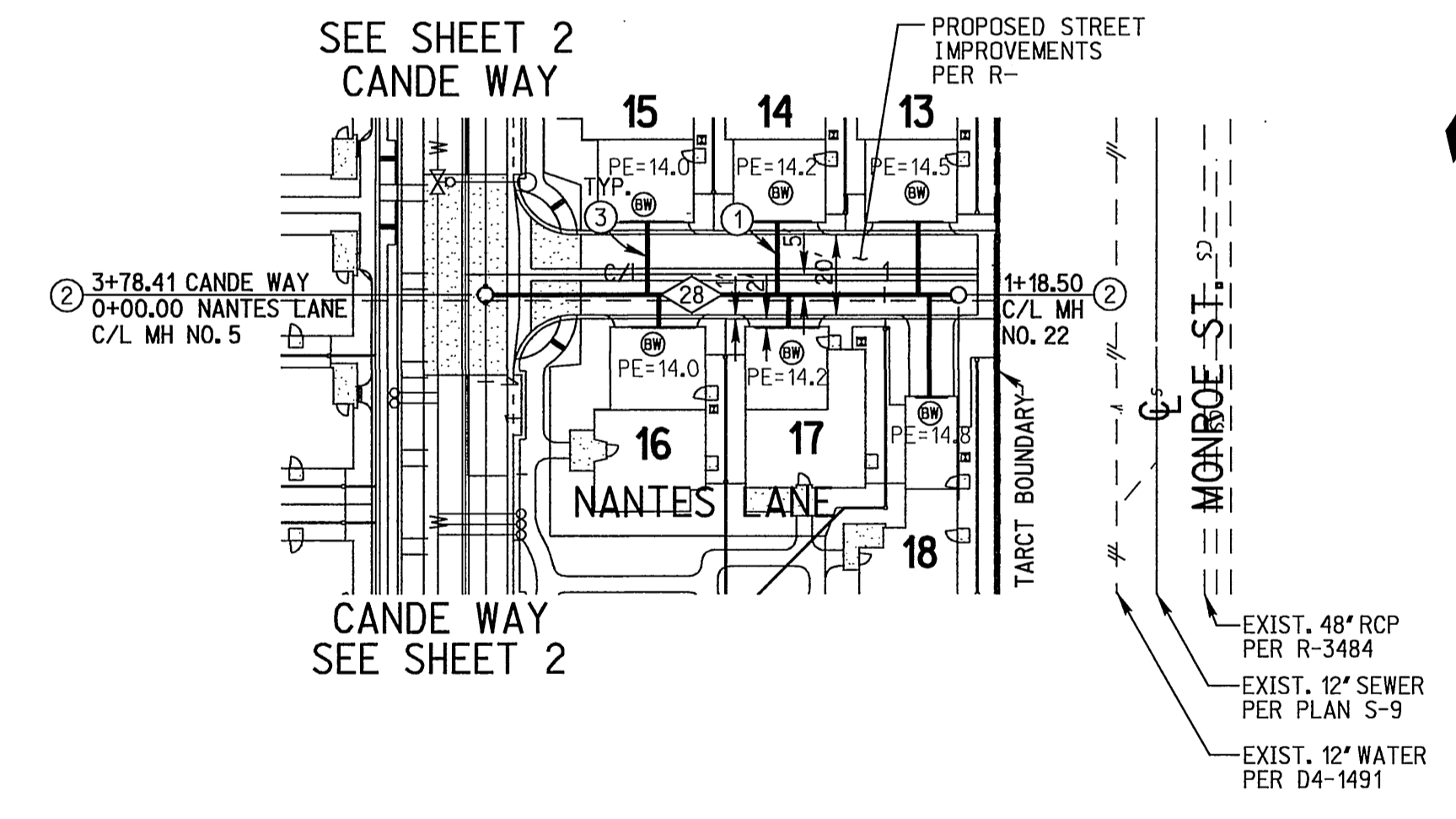
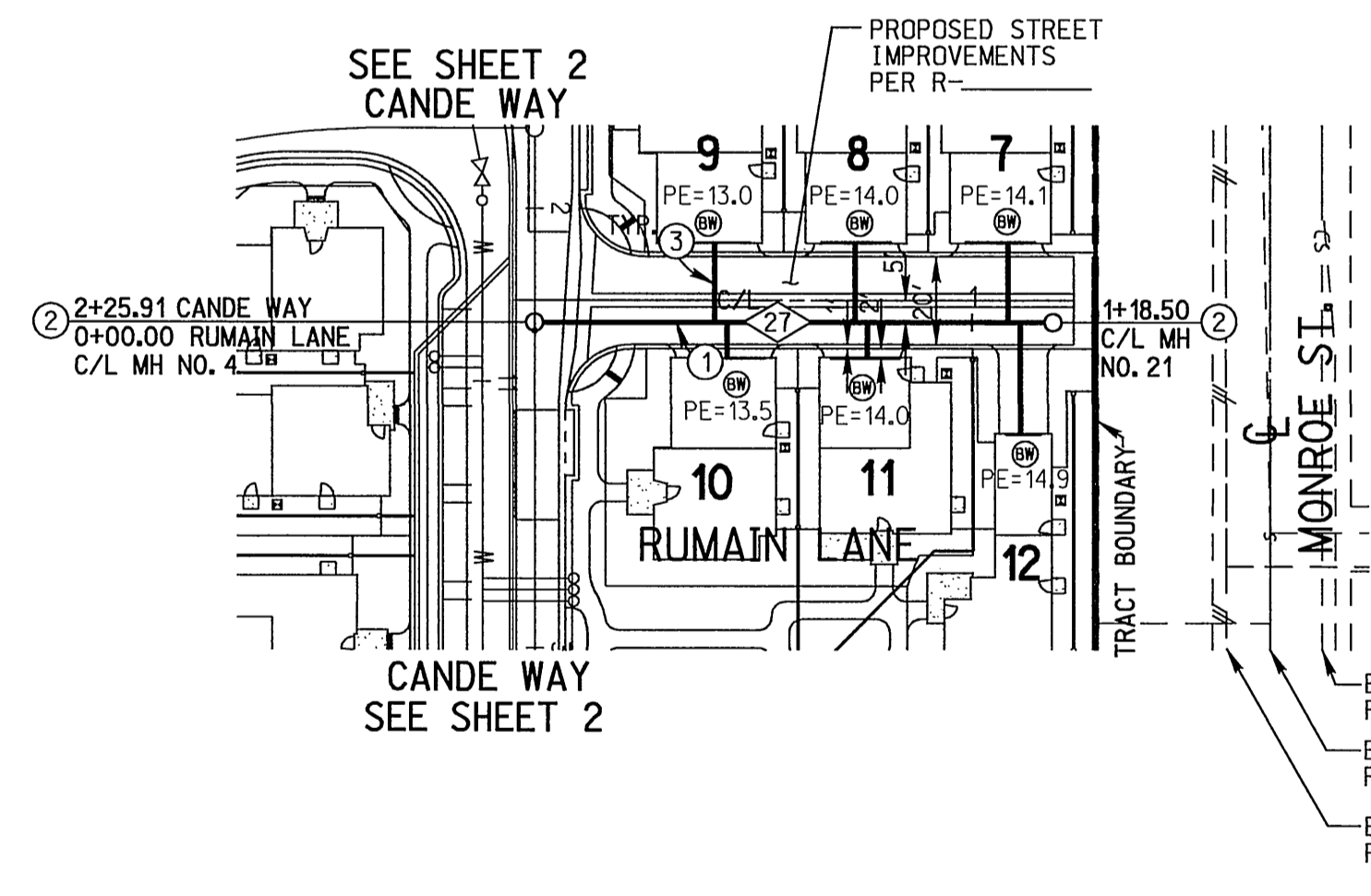
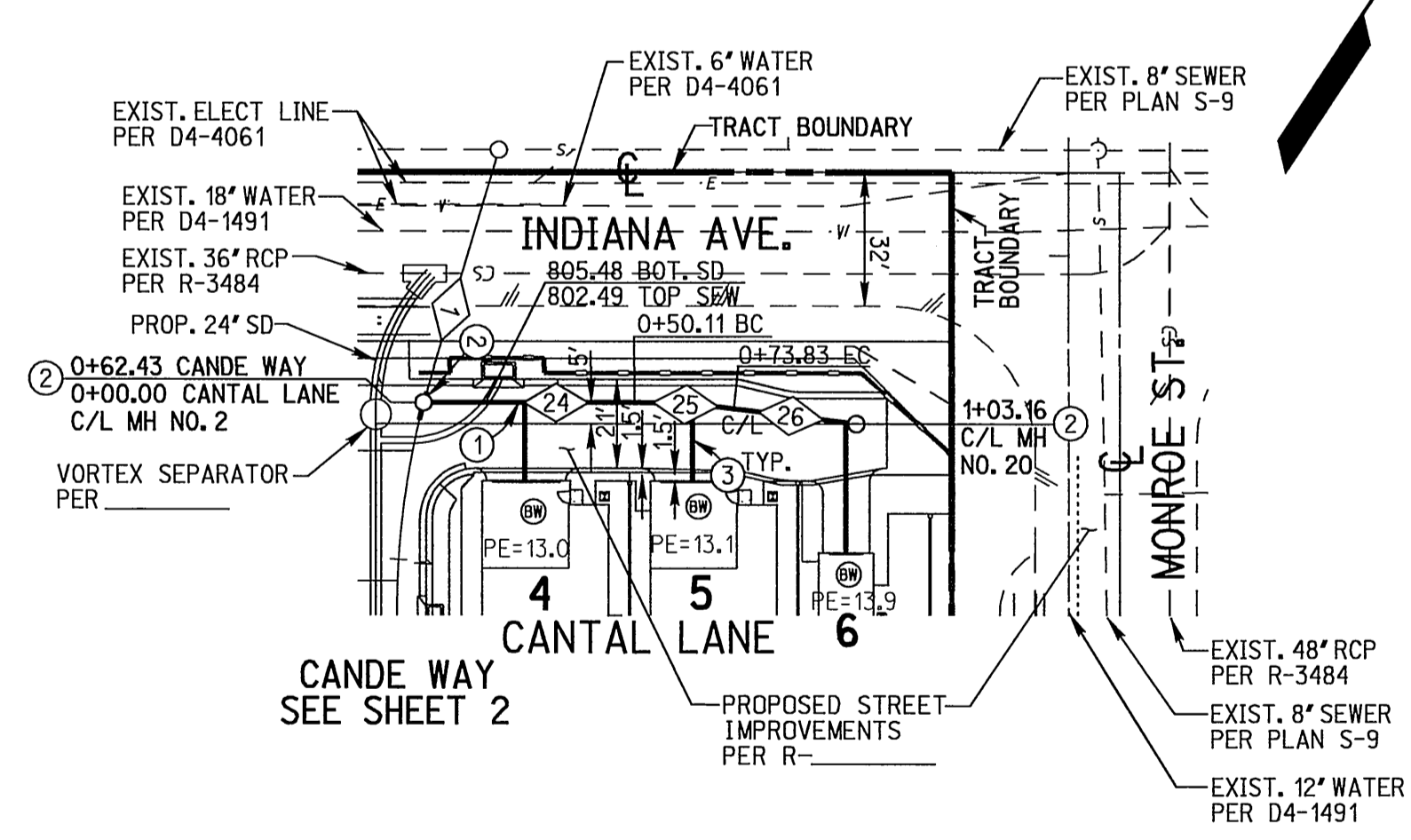
CITY OF RIVERSIDE
 PUBLIC WORKS DEPARTMENT
 APPROVED BY: [Signature]
 DATE: 2/2/05

SEWER IMPROVEMENT PLANS
 TRACT 31415
 HATTEN WAY
 0+00.00 TO 3+12.00
 BROU LANE 0+00.00 TO 3+89.37
 SHEET 4 OF 7
 SCALE: HORIZ: 1"=40' VERT: 1"=4'
 FILE NO. S-1867
 PW04-0696



NOTE: AFTER FINAL A.C. PAVEMENT LIFT SECTION IS PLACED, ALL RIM ELEVATIONS SHALL BE ADJUSTED BY THE CONTRACTOR TO THEIR FINAL GRADE TO THE SATISFACTION OF THE CITY ENGINEER.

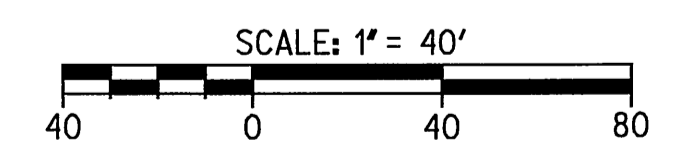
PROFILE SCALE:
 HORIZ: 1"=40'
 VERT: 1"=4'



CONSTRUCTION NOTES

- ① INSTALL 8" VCP SEWER MAIN, PIPE BEDDING PER CITY OF RIVERSIDE STD. DWG. NO. 452 (CASE 3).
- ② INSTALL 4" DIAMETER SEWER MANHOLE PER CITY OF RIVERSIDE STD. DWG. NO. 500
- ③ INSTALL 4" SEWER LATERAL WITH PROPERTY LINE CLEANOUT PER CITY OF RIVERSIDE STD. DWG. NO. 562A.

SEWER DATA				
NO.	DELTA OR BRG.	RADIUS	LENGTH	REMARK
24	N 56°22'40" E		50.11'	
25	6°58'12"	195.00'	23.72'	11.88'
26	N 63°20'52" E		29.33'	
27	N 56°22'06" E		118.50'	
28	N 56°22'06" E		118.50'	



DIG ALERT
 CALL BEFORE YOU DIG!
 1-800-227-2600
 UNDERGROUND SERVICE ALERT
 Call at least 2 working days prior to excavating.

CITY OF RIVERSIDE
 WATER SYSTEM
 APPROVED BY: [Signature]
 DATE: 1/6/05

REGISTERED PROFESSIONAL ENGINEER
 MARTIN L. ANDERSON
 No. 51313
 Exp. 6-30-06
 CIVIL
 STATE OF CALIFORNIA

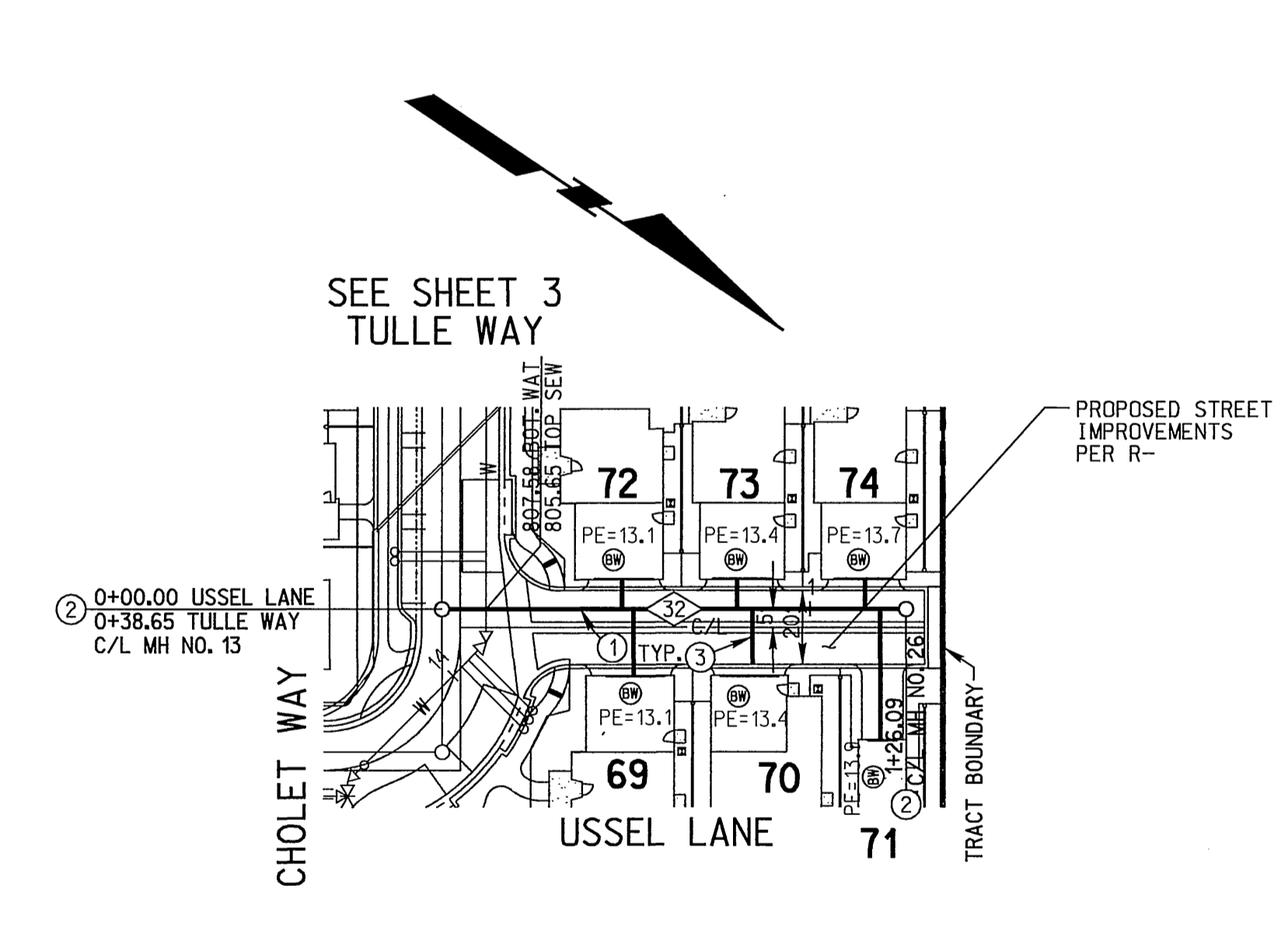
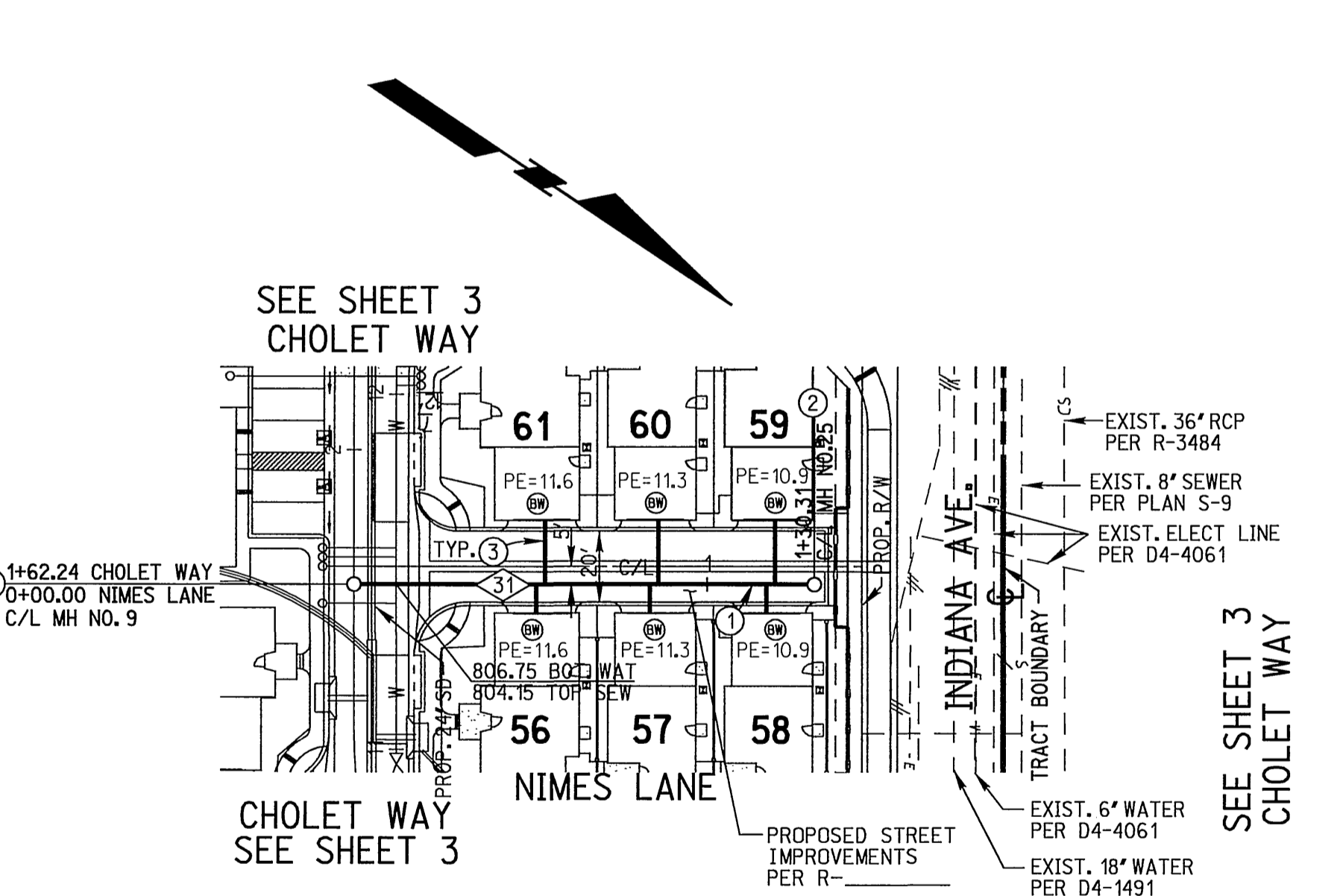
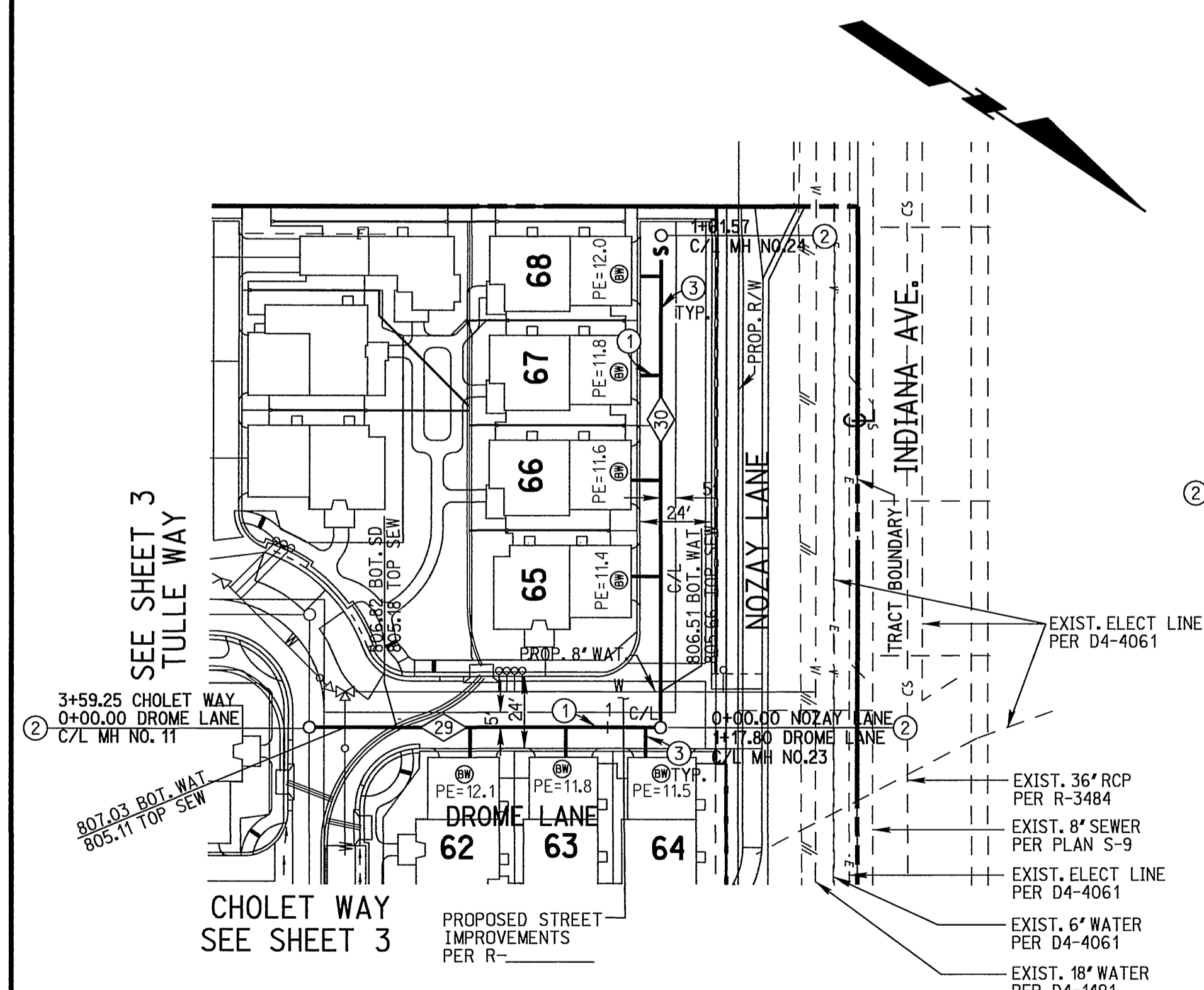
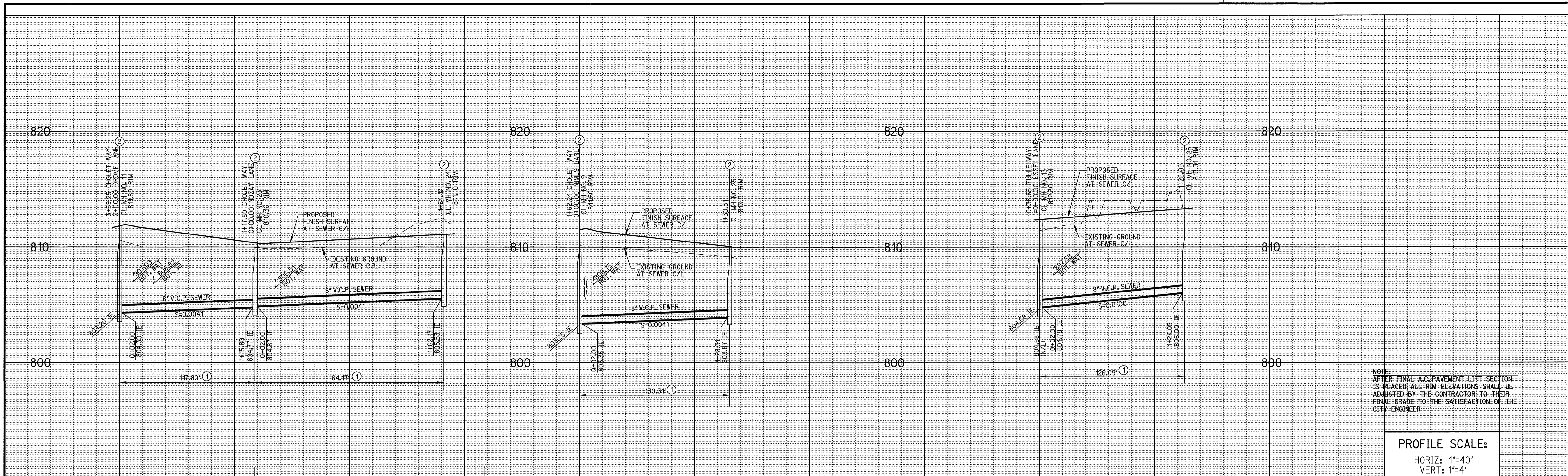
PREPARED UNDER THE DIRECTION OF
 [Signature]
 MARTIN L. ANDERSON
 REGISTERED CIVIL ENGINEER No. 51313
 EXPIRATION DATE: 6-30-06

RICK ENGINEERING COMPANY
 San Diego Riverside Orange Phoenix Tucson
 1223 University Ave., Ste. 240 • Riverside, CA 92507-3418 • (951)782-0707 • FAX (951)782-0723 • www.rickeng.com
 CITY OF RIVERSIDE BUSINESS TAX CERTIFICATE No. 352225 EXP. DATE: 01/20/2005
 BENCH MARK POINT ID: F4-A1 ELEVATION: 810.933 REF: FB735/7 DATUM: 1929 CALIFORNIA DIVISION OF HIGHWAYS BRAS DISK STAMPED 'C/L MONROE' IN WELL AT 40 FEET NORTHERLY ALONG THE CENTERLINE OF MONROE STREET FROM THE INTERSECTION OF MONROE STREET AND INDIANA AVENUE

MARK REVISIONS APPR. DATE

CITY OF RIVERSIDE
 PUBLIC WORKS DEPARTMENT
 APPROVED BY: [Signature]
 DATE: 2/1/05

SEWER IMPROVEMENT PLANS
 TRACT 31415
 CANTAL LN. 0+00.00 TO 1+09.37
 RUMAIN LN. 0+00.00 TO 1+18.50
 NANTES LN. 0+00.00 TO 1+18.50
 SCALE: HORIZ: 1"=40' VERT: 1"=4'
 SHEET 5 OF 7
 FILE NO. PW04-0696 S-1867

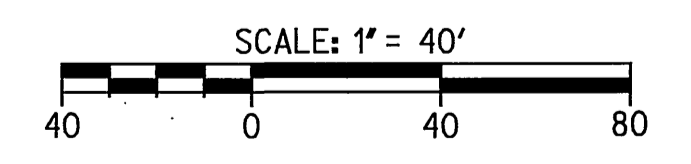


CONSTRUCTION NOTES

- 1. INSTALL 8" VCP SEWER MAIN, PIPE BEDDING PER CITY OF RIVERSIDE STD. DWG. NO. 452 (CASE 3).
- 2. INSTALL 4" DIAMETER SEWER MANHOLE PER CITY OF RIVERSIDE STD. DWG. NO. 500
- 3. INSTALL 4" SEWER LATERAL WITH PROPERTY LINE CLEANOUT PER CITY OF RIVERSIDE STD. DWG. NO. 562A.

SEWER DATA

NO.	DELTA OR BRG.	RADIUS	LENGTH	REMARK
29	N 33°38'45" W		117.80'	
30	N 56°22'40" E		164.17'	
31	N 33°38'38" W		130.31'	
32	N 56°21'15" E		126.09'	



DIG ALERT
 CALL BEFORE YOU DIG!
 1-800-227-2600
 UNDERGROUND SERVICE ALERT
 Call at least 2 working days prior to excavating.

CITY OF RIVERSIDE
 WATER SYSTEM
 APPROVED BY: [Signature]
 DATE: 1/6/05

REGISTERED PROFESSIONAL ENGINEER
 MARTIN L. ANDERSON
 No. 5133
 Exp. 6-30-06
 CIVIL
 STATE OF CALIFORNIA

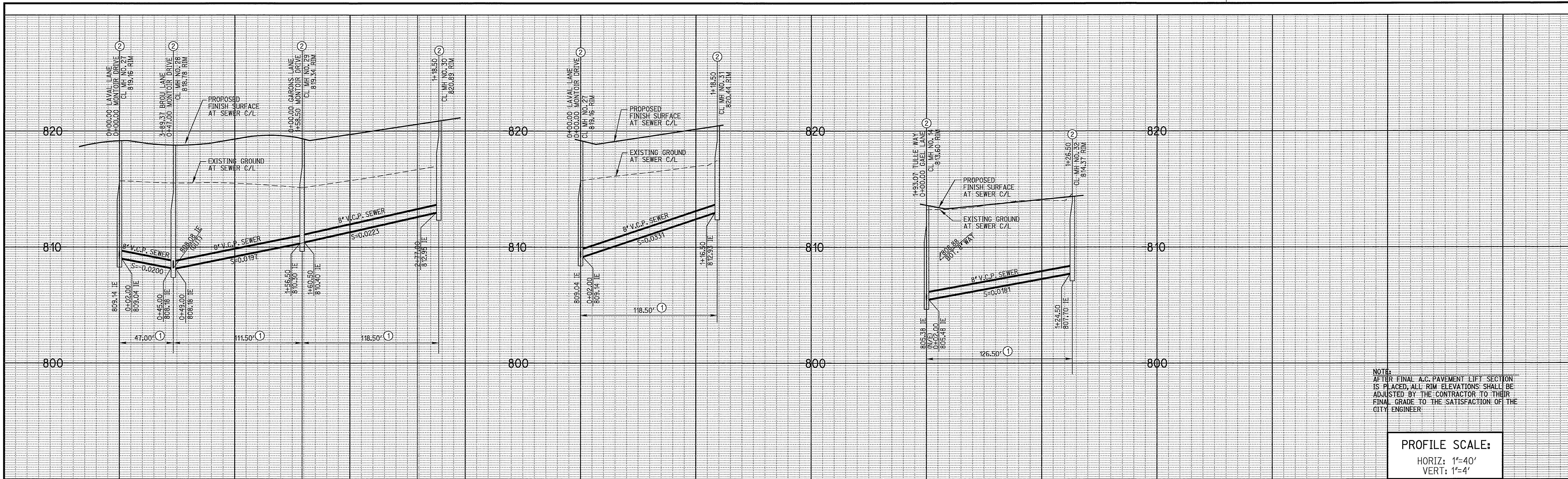
PREPARED UNDER THE DIRECTION OF
 MARTIN L. ANDERSON
 REGISTERED CIVIL ENGINEER NO. 5133
 EXPIRATION DATE 6-30-06

RICK ENGINEERING COMPANY
 San Diego Riverside Orange Phoenix Tucson
 1223 University Ave., Ste. 240 • Riverside, CA 92507-3418 • (951)782-0707 • FAX (951)782-0723 • www.rickeng.com
 CITY OF RIVERSIDE BUSINESS TAX CERTIFICATE, No. 35225 EXP. DATE: 07/20/2005
 BENCH MARK POINT ID: F4-A1 ELEVATION: 810.933 REF: FB735/7 DATUM: 1929 CALIFORNIA DIVISION OF HIGHWAYS BRAS DISK STAMPED "C/L MONROE" IN WELL AT 40 FEET NORTHERLY ALONG THE CENTERLINE OF MONROE STREET FROM THE INTERSECTION OF MONROE STREET AND INDIANA AVENUE.

MARK REVISIONS APPR DATE
 DESIGNED BY: SGS DRAWN BY: ME CHECKED BY: MA

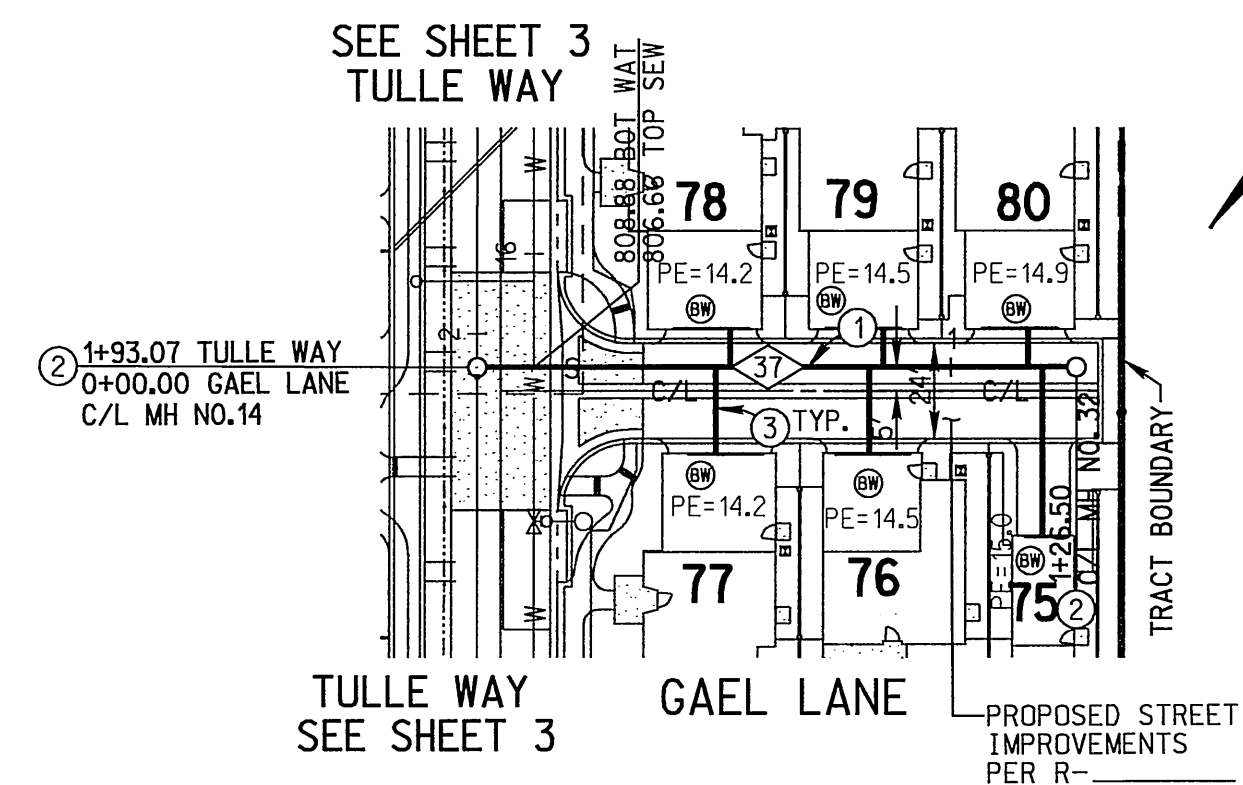
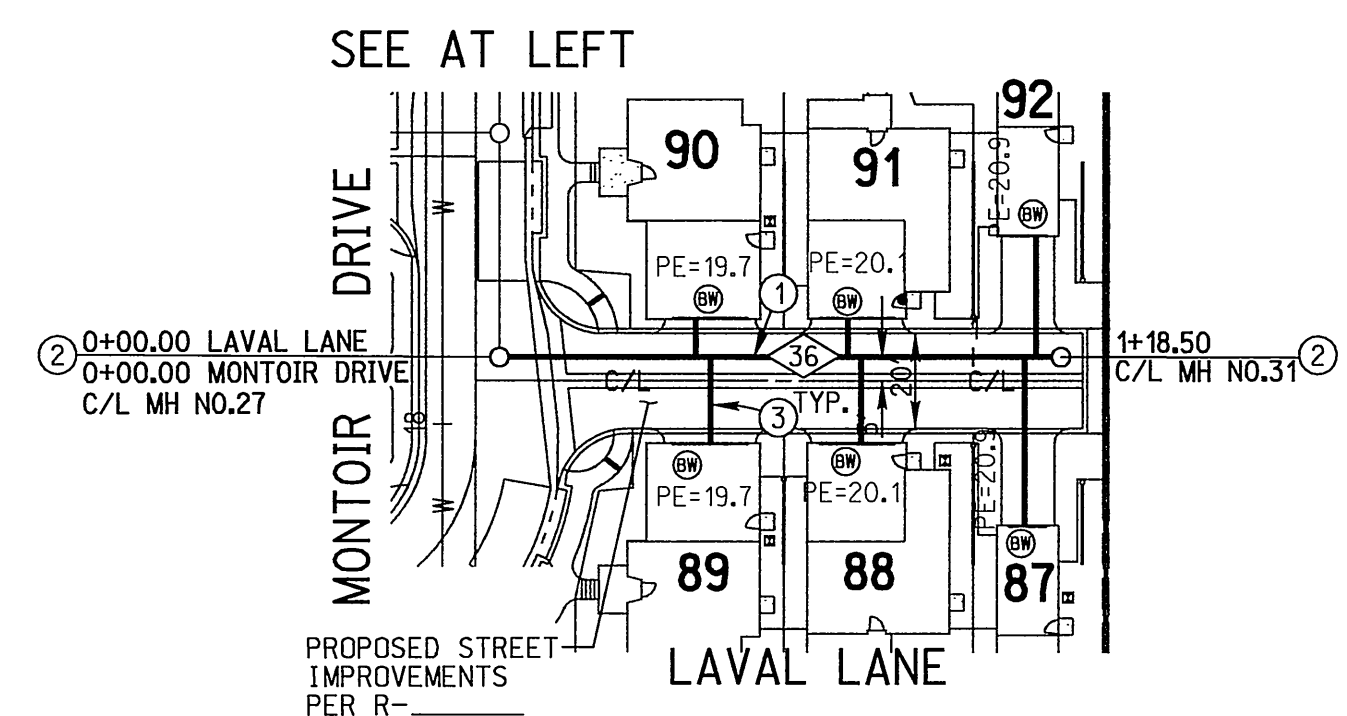
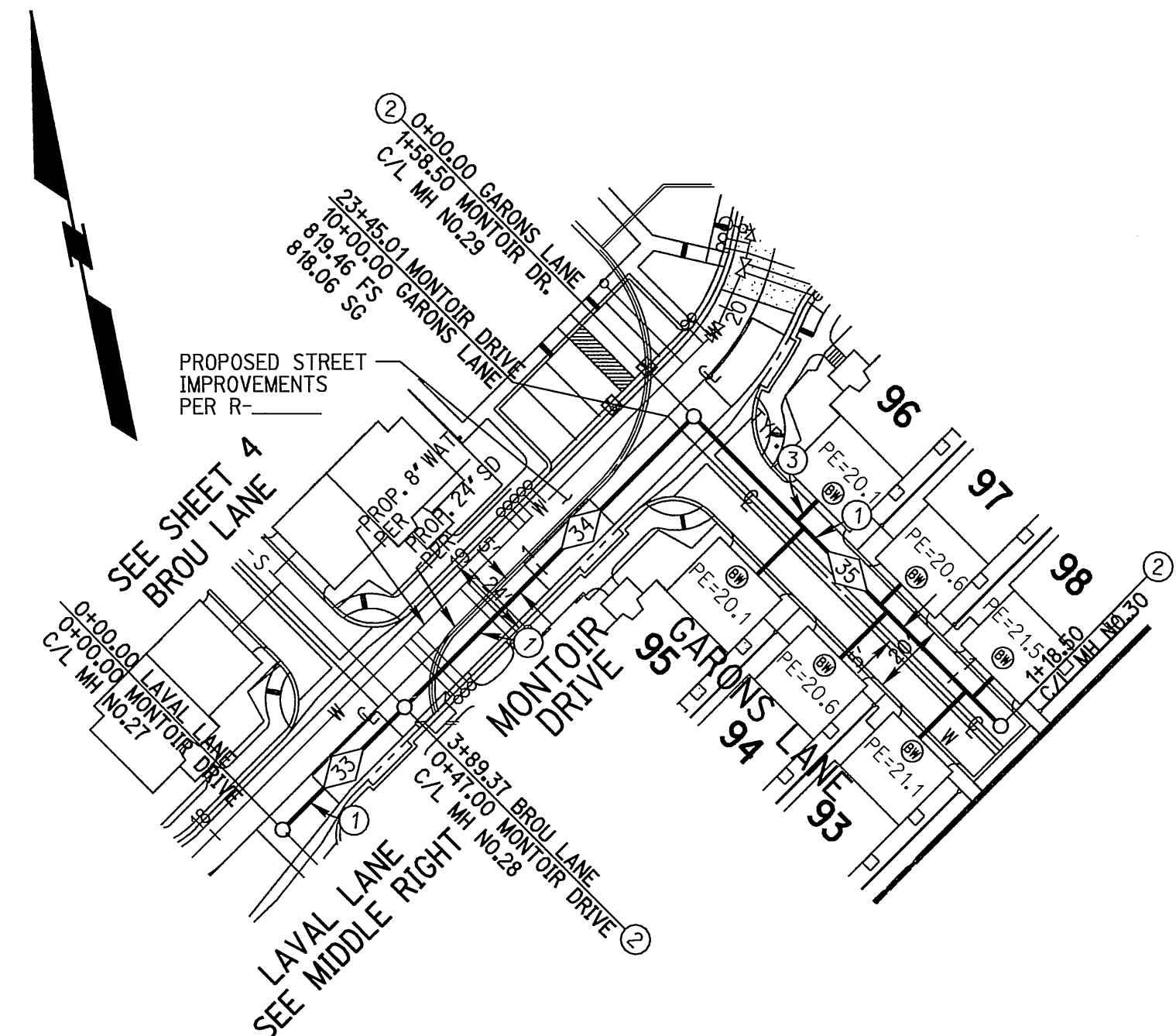
CITY OF RIVERSIDE
 PUBLIC WORKS DEPARTMENT
 APPROVED BY: [Signature]
 DATE: 2/3/05

SEWER IMPROVEMENT PLANS
 TRACT 31415
 NOZAY LANE 0+00.00 TO 1+61.57
 DROME LANE 0+00.00 TO 1+17.80
 NIMES LANE 0+00.00 TO 1+30.31
 USSEL LANE 0+00.00 TO 1+26.08
 SCALE: HORIZ: 1"=40' VERT: 1"=4'
 SHEET 6 OF 7
 FILE NO. PW04-0696 S-1867



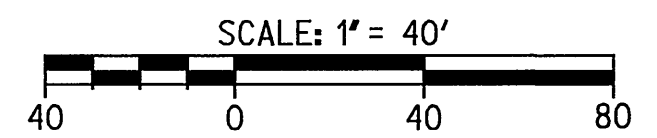
NOTE:
AFTER FINAL A.C. PAVEMENT LIFT SECTION IS PLACED, ALL RIM ELEVATIONS SHALL BE ADJUSTED BY THE CONTRACTOR TO THEIR FINAL GRADE TO THE SATISFACTION OF THE CITY ENGINEER.

PROFILE SCALE:
HORIZ: 1"=40'
VERT: 1"=4'



SEWER DATA				
NO.	DELTA OR BRG.	RADIUS	LENGTH	REMARK
33	N 56°21'13" E		47.00'	
34	N 56°21'13" E		111.50'	
35	N 33°38'46" W		118.50'	
36	N 33°38'45" W		118.50'	
37	N 56°21'15" E		126.50'	

- CONSTRUCTION NOTES**
- INSTALL 8" VCP SEWER MAIN, PIPE BEDDING PER CITY OF RIVERSIDE STD. DWG. NO. 452 (CASE 3).
 - INSTALL 4' DIAMETER SEWER MANHOLE PER CITY OF RIVERSIDE STD. DWG. NO. 500
 - INSTALL 4" SEWER LATERAL WITH PROPERTY LINE CLEANOUT PER CITY OF RIVERSIDE STD. DWG. NO. 562A.



DIG ALERT
CALL BEFORE YOU DIG!
1-800-227-2600
UNDERGROUND SERVICE ALERT
Call at least 2 working days prior to excavating.

CITY OF RIVERSIDE
WATER SYSTEM
APPROVED BY: [Signature]
DATE: 1/16/05

REGISTERED PROFESSIONAL ENGINEER
MARTEN L. ANDERSON
No. 51313
Exp. 6-30-06
CIVIL
STATE OF CALIFORNIA

PREPARED UNDER THE DIRECTION OF
MARTEN L. ANDERSON
REGISTERED CIVIL ENGINEER NO. 51313
EXPIRATION DATE: 6-30-06

RICK ENGINEERING COMPANY
San Diego Riverside Orange Phoenix Tucson
1223 University Ave., Ste. 240 - Riverside, CA 92507-3418 - (951)782-0707 - FAX (951)782-0723 - www.rickeng.com
CITY OF RIVERSIDE BUSINESS TAX CERTIFICATE, No. 35225 EXP. DATE: 07/20/2005
BENCH MARK POINT ID: F4-A1 ELEVATION: 810.933 REF: FB735/7 DATUM: 1929 CALIFORNIA DIVISION OF HIGHWAYS BRAS DISK STAMPED "C/L MONROE" IN WELL AT 40 FEET NORTHERLY ALONG THE CENTERLINE OF MONROE STREET FROM THE INTERSECTION OF MONROE STREET AND INDIANA AVENUE

MARK REVISIONS APPR DATE
DESIGNED BY: SGS DRAWN BY: ME CHECKED BY: MA

CITY OF RIVERSIDE
PUBLIC WORKS DEPARTMENT
APPROVED BY: [Signature]
DATE: 1/16/05

SEWER IMPROVEMENT PLANS
TRACT 31415
MONTOIR DRIVE 0+00.00 TO 1+18.50
GARONS LANE 0+00.00 TO 1+18.50
LAVAL LANE 0+00.00 TO 1+18.50
GAEL LANE 0+00.00 TO 1+26.50
SCALE: HORIZ: 1"=40' VERT: 1"=4'
SHEET 7 OF 7
FILE NO. PW04-0696 S-1867