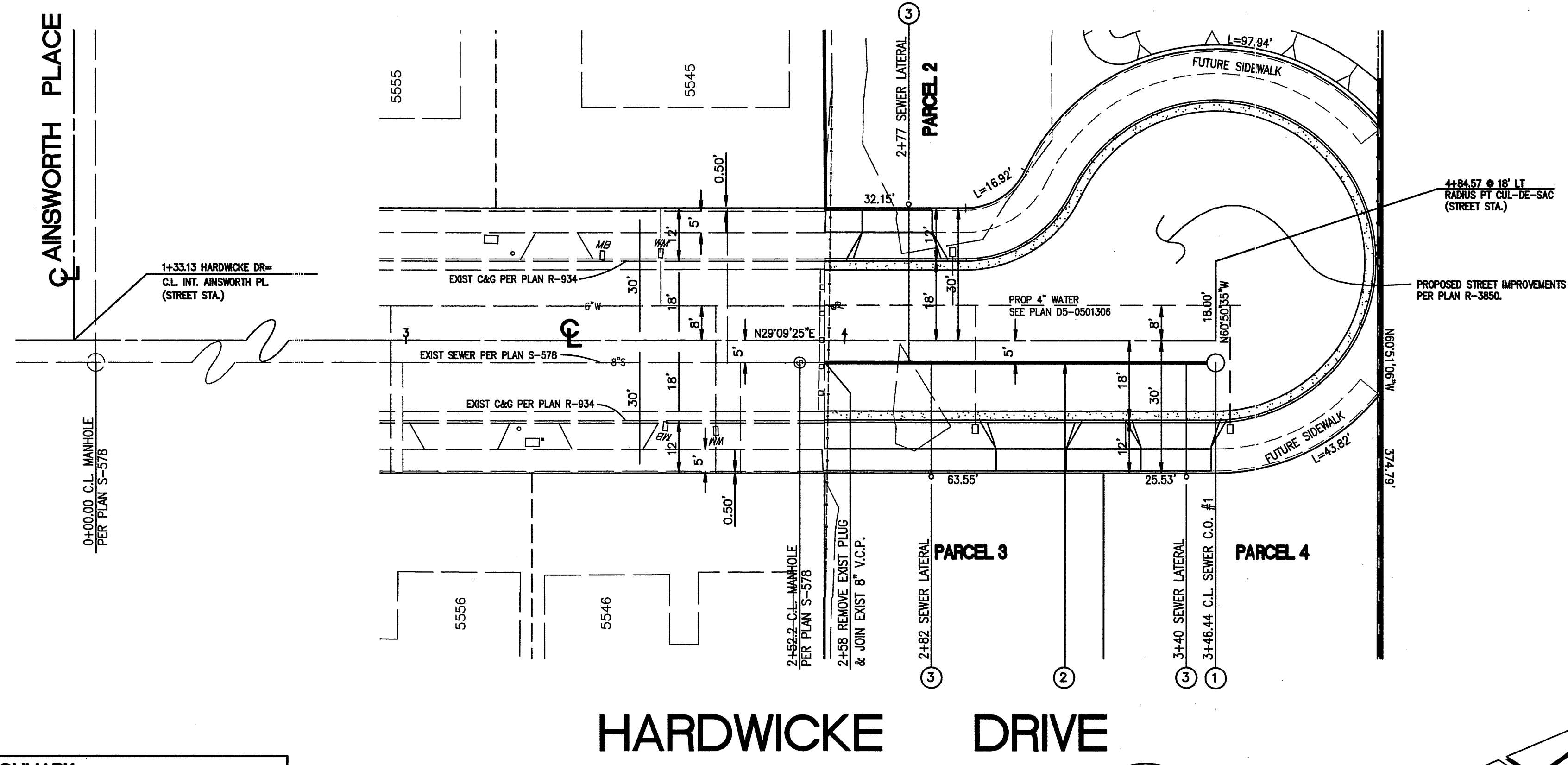


**VICINITY MAP**  
SCALE - 1"=1000'

**GENERAL NOTES**

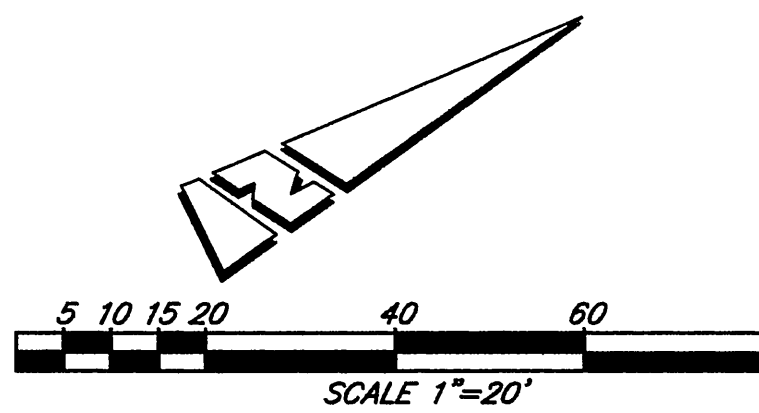
- NO PERSON SHALL PERFORM ANY CONSTRUCTION ACTIVITY OR INSTALL ANY OBJECTS WITHIN THE PUBLIC RIGHT-OF-WAY OR EASEMENTS OF THE CITY OF RIVERSIDE WITHOUT A VALID CONSTRUCTION PERMIT OR, A STREET OPENING PERMIT, OR AN ENCROACHMENT PERMIT ISSUED BY THE CITY'S PUBLIC WORKS DEPARTMENT.
- IT SHALL BE THE RESPONSIBILITY OF THE CONTRACTOR TO CLEAR THE RIGHT OF WAY IN ACCORDANCE WITH THE PROVISIONS OF LAW AS IT AFFECTS EACH UTILITY INCLUDING IRRIGATION LINES AND APPURTENANCES AND AT NO COST TO THE CITY.
- CONSTRUCTION SHALL BE IN ACCORDANCE WITH THE CITY OF RIVERSIDE DEPARTMENT OF PUBLIC WORKS, STANDARD DRAWINGS, ITS SUPPLEMENTAL NOTES AND THE STANDARD SPECIFICATIONS FOR PUBLIC WORKS CONSTRUCTION, CURRENT EDITION.
- THE PRIVATE ENGINEER SIGNING THESE PLANS IS RESPONSIBLE FOR ASSURING THE ACCURACY AND ACCEPTABILITY OF THE WORK HEREON. IN THE EVENT OF DISCREPANCIES ARISING DURING CONSTRUCTION, THE PRIVATE ENGINEER SHALL BE RESPONSIBLE FOR DETERMINING AN ACCEPTABLE SOLUTION AND REVISING THE PLANS FOR APPROVAL BY THE CITY.
- QUANTITIES SHOWN ARE FOR INFORMATION ONLY AND THE CITY OF RIVERSIDE IS NOT RESPONSIBLE FOR THEIR ACCURACY.
- THE DEVELOPER SHALL BE RESPONSIBLE FOR PRESERVING OR RE-ESTABLISHING AND REFERENCING SURVEY MONUMENTS DESTROYED, DISTURBED, OR BURIED AS A RESULT OF CONSTRUCTION SHOWN HEREON.
- ALL FLAGGED ELEVATIONS SHALL BE STAKED IN THE FIELD BY THE PRIVATE ENGINEER.
- THE CONTRACTOR SHALL CALL IN A LOCATION REQUEST TO UNDERGROUND SERVICE ALERT (USA), PHONE # 1-800-227-2600, TWO WORKING DAYS BEFORE DIGGING. NO CONSTRUCTION PERMIT WILL BE ISSUED BY THE PUBLIC WORKS DEPARTMENT INVOLVING EXCAVATION FOR UNDERGROUND FACILITIES UNLESS THE APPLICANT HAS BEEN PROVIDED AN INQUIRY IDENTIFICATION NUMBER BY USA.
- CONTRACTOR IS TO VERIFY EXISTING SEWER ELEVATION PRIOR TO CONSTRUCTION.
- LOCATION OF LATERALS TO BE DETERMINED IN THE FIELD AT THE DIRECTION OF THE OWNER. AVOID A CONFLICT WITH PROPOSED AND/OR EXISTING FACILITIES.
- NO FINISHED FLOOR ELEVATIONS SHALL BE LESS THAN 6" ABOVE THE UPPER MANHOLE RIM OF THE SEWER LINE SEGMENT BEING CONNECTED TO, WITHOUT HAVING A PROPER BACKWATER VALVE INSTALLED IN THE LATERAL.
- A PLUG SHALL BE INSTALLED AND WILL REMAIN IN PLACE WHERE THE NEW SEWER CONNECTS WITH THE EXISTING SEWER UNTIL THE NEW SEWER IS ACCEPTED BY THE CITY.
- THE SEWER CONTRACTOR SHALL ADJUST MANHOLES TO FINAL GRADE AFTER PAVING IS COMPLETED.
- PIPE BEDDING SHALL BE CASE I PER CITY STD DWG. NO. 452 UNLESS OTHERWISE SHOWN ON THE PLANS. IF GROUND WATER IS ENCOUNTERED, BEDDING SHALL BE CASE III IN ACCORDANCE WITH NOTE 2, CITY STD. DWG. NO. 452.
- ANY TRAFFIC CONTROL STRIPING OBLITERATED AND/OR BADLY WORN DURING CONSTRUCTION SHALL BE RESTORED BY THE CONTRACTOR WITHIN FIVE DAYS AFTER NOTIFICATION FROM THE CITY INSPECTORS.
- THE CONTRACTOR SHALL COORDINATE TRENCHING FOR CABLE TELEVISION WITH OTHER TRENCHING WITHIN THE SUBDIVISION.

**RELATED PLANS**  
STREET IMPROVEMENTS - R-3850  
WATER IMPROVEMENTS - D5-0501306  
GRADING PLAN - PW05-0190



**HARDWICKE DRIVE**

**BENCHMARK:**  
H5-A2  
BRASS DISK IN A MONUMENT WELL AT THE INTERSECTION OF GRAND AVE AND BANDINI AVENUE STAMPED "H5-A"  
**ELEV. - 814071**



<b>WATER</b>  APPROVED BY <i>MW McNeil 6/3/05</i> APPROVED BY WATER ENGINEERING	<b>ESCAPE ENGINEERING</b> 3351 PACHAPPA HILL RIVERSIDE, CALIFORNIA 92506 (909) 313-2058 PLANS PREPARED UNDER SUPERVISION OF <i>Brian Escate</i> Date <i>5/24/05</i> R.C.E. 21884 (EXP. 9-30-05)	MARK REVISIONS APPR. DATE DESIGNED BY BGE DRAWN BY BGE CHECKED BY BGE	<b>CITY OF RIVERSIDE, CALIFORNIA</b> <b>PUBLIC WORKS DEPARTMENT</b>		<b>SEWER IMPROVEMENT PLANS</b> <b>PARCEL MAP 32634</b> <b>HARDWICKE DRIVE</b> <b>CUL-DE-SAC AT NORTHERLY END</b>	<b>PW05-0189</b> <b>S- 1902</b> SHEET <u>1</u> OF <u>1</u>
			APPROVED BY PRINCIPAL ENGINEER <i>John Boyd</i> CITY ENGINEER DATE <i>8/9/05</i>	APPROVED BY TRAFFIC DIVISION PARKS DEPARTMENT DATE		