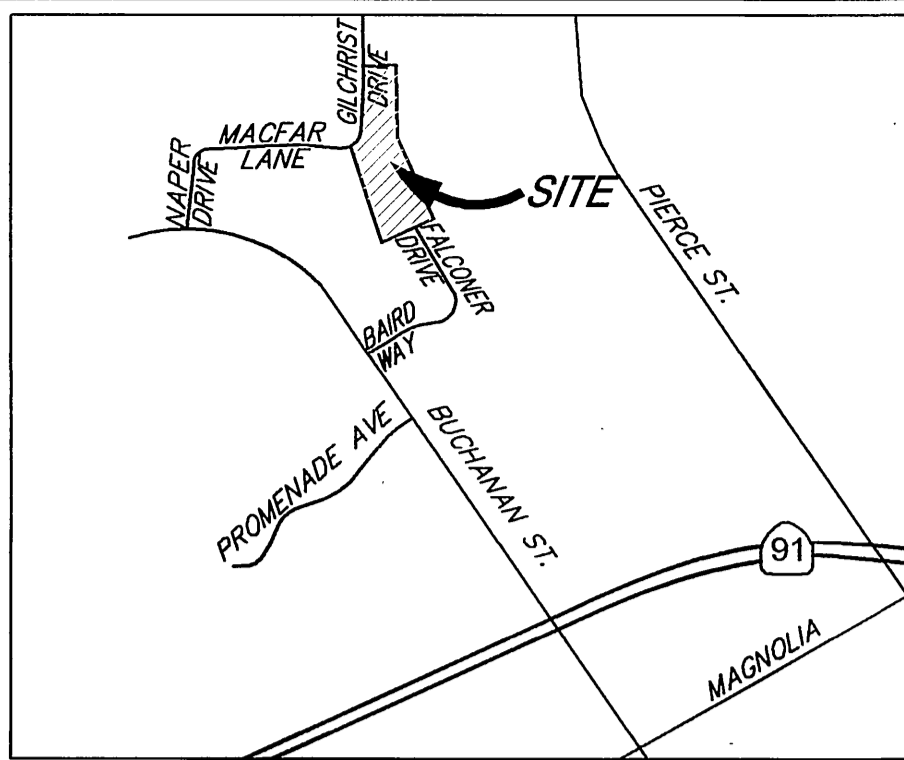


TRACT 32741 SEWER IMPROVEMENT PLAN



VICINITY MAP
NOT TO SCALE

GENERAL NOTES

1. THE PRIVATE ENGINEER SIGNING THESE PLANS IS RESPONSIBLE FOR ASSURING THE ACCURACY AND ACCEPTABILITY OF THE WORK HEREON. IN THE EVENT OF DISCREPANCIES ARISING DURING CONSTRUCTION, THE PRIVATE ENGINEER SHALL BE RESPONSIBLE FOR DETERMINING AN ACCEPTABLE SOLUTION AND REVISING THE PLANS FOR APPROVAL BY THE CITY.
2. IT SHALL BE THE RESPONSIBILITY OF THE CONTRACTOR TO CLEAR THE RIGHT OF WAY IN ACCORDANCE WITH THE PROVISIONS OF LAW AS IT AFFECTS EACH UTILITY INCLUDING IRRIGATION LINES AND APPURTENANCES AND AT NO COST TO THE CITY.
3. CONSTRUCTION SHALL BE IN ACCORDANCE WITH THE CITY OF RIVERSIDE DEPARTMENT OF PUBLIC WORKS, STANDARDS DRAWINGS, ITS SUPPLEMENTAL NOTES, AND THE STANDARD SPECIFICATIONS FOR PUBLIC WORKS CONSTRUCTION, CURRENT EDITION.
4. LOCATION OF LATERALS TO BE DETERMINED IN THE FIELD AT THE DIRECTION OF THE OWNER. AVOID CONFLICT WITH PROPOSED AND/OR EXISTING FACILITIES.
5. CONTRACTOR IS TO VERIFY EXISTING SEWER ELEVATIONS PRIOR TO CONSTRUCTION.
6. THE SEWER CONTRACTOR SHALL ADJUST MANHOLES TO FINAL GRADE AFTER PAVING IS COMPLETED.
7. NO FINISH FLOOR ELEVATION SHALL BE LESS THAN 6" ABOVE THE UPPER MANHOLE RIM ELEVATION OF THE SEWER LINE SEGMENT BEING CONNECTED TO, WITHOUT HAVING A PROPER BACKWATER VALVE INSTALLED IN THE LATERAL.
8. A PLUG SHALL BE INSTALLED AND WILL REMAIN IN PLACE WHERE THE NEW SEWER CONNECTS WITH THE EXISTING SEWER UNTIL THE NEW SEWER IS ACCEPTED BY THE CITY OF RIVERSIDE.
9. THE CONTRACTOR SHALL COORDINATE TRENCHING FOR CABLE TELEVISION WITH OTHER TRENCHING WITHIN THE SUBDIVISION.
10. ALL FLAGGED ELEVATIONS SHALL BE STAKED IN THE FIELD BY THE PRIVATE ENGINEER.
11. THE CONTRACTOR SHALL CALL IN A LOCATIONS REQUEST TO UNDERGROUND SERVICE ALERT (USA), PHONE NO. 1-800-227-2600, TWO WORKING DAYS BEFORE DIGGING. NO CONSTRUCTION PERMIT WILL BE ISSUED BY THE PUBLIC WORKS DEPARTMENT INVOLVING EXCAVATION FOR UNDERGROUND FACILITIES UNLESS THE APPLICANT HAS BEEN PROVIDED AN INQUIRY IDENTIFICATION NUMBER BY USA.
12. THE DEVELOPER SHALL BE RESPONSIBLE FOR PRESERVING OR REESTABLISHING AND REFERENCING SURVEY MONUMENTS DESTROYED, DISTURBED OR BURIED AS A RESULT OF CONSTRUCTION HEREON.
13. NOTICE TO CONTRACTOR: THE EXISTENCE AND LOCATION OF ANY UNDERGROUND UTILITY PIPES OR STRUCTURES SHOWN ON THESE PLANS WERE OBTAINED BY A SEARCH OF AVAILABLE RECORDS. TO THE BEST OF OUR KNOWLEDGE THERE ARE NO EXISTING UTILITIES EXCEPT AS SHOWN ON THESE PLANS. THE CONTRACTOR IS REQUIRED TO TAKE PRECAUTIONARY MEASURES TO PROTECT THE UTILITY LINES SHOWN OR ANY OTHER LINES NOT OF RECORD OR NOT SHOWN ON THESE PLANS.
14. QUANTITIES SHOWN ARE FOR INFORMATION ONLY THE CITY OF RIVERSIDE IS NOT RESPONSIBLE FOR THEIR ACCURACY.
15. PRIOR TO CONSTRUCTION, THE CONTRACTOR SHALL POTHOLE ALL UTILITY CROSSINGS AND CONNECTIONS AND VERIFY THE LOCATION AND ELEVATION OF ALL UTILITIES AFFECTED. THE ENGINEER SHALL BE NOTIFIED OF ANY DISCREPANCIES BEFORE CONSTRUCTION BEGINS.
16. NO PERSON SHALL PERFORM ANY CONSTRUCTION ACTIVITY OR INSTALL ANY OBJECTS WITHIN THE PUBLIC RIGHTS-OF-WAY OR EASEMENTS OF THE CITY OF RIVERSIDE WITHOUT A VALID CONSTRUCTION PERMIT OR A STREET OPENING PERMIT OR AN ENCROACHMENT PERMIT ISSUED BY THE CITY'S PUBLIC WORKS DEPARTMENT.

NOTICE TO CONTRACTOR

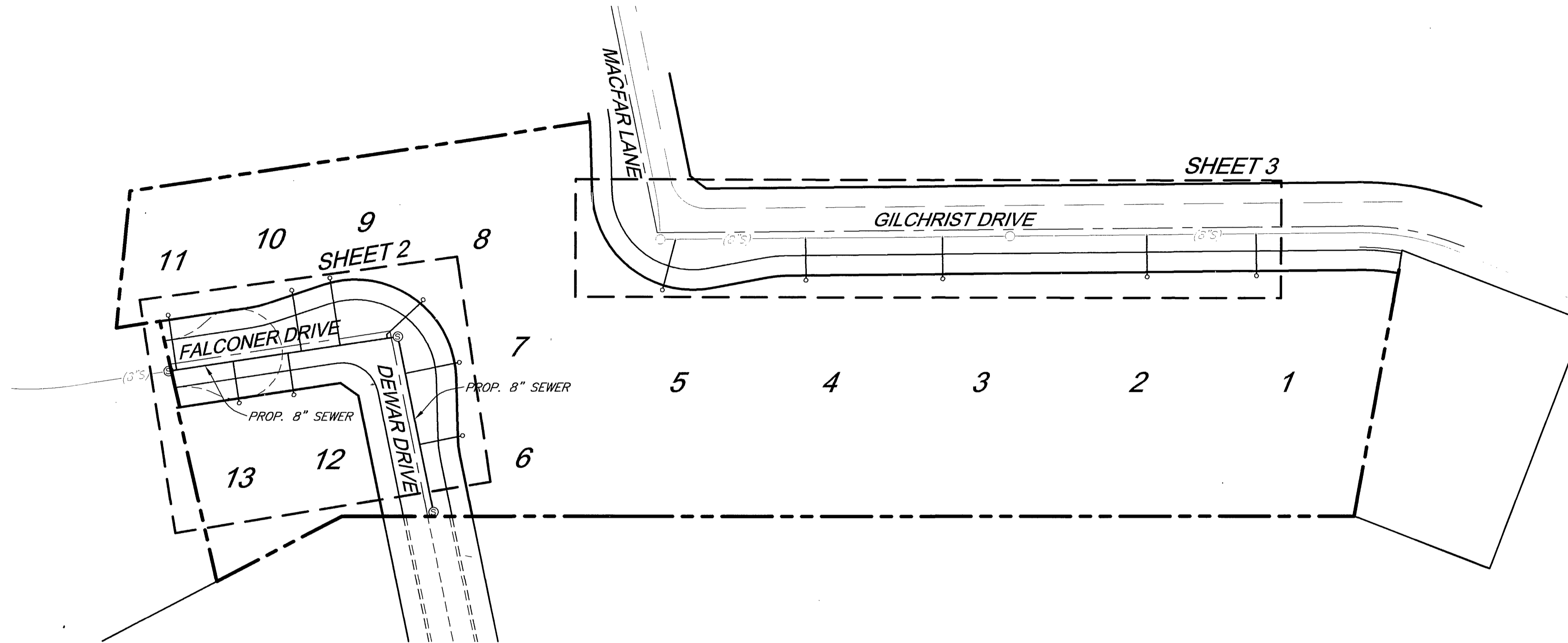
THE EXISTENCE AND LOCATION OF ANY UNDERGROUND UTILITY PIPES OR STRUCTURES SHOWN ON THESE PLANS ARE OBTAINED BY A SEARCH OF THE AVAILABLE RECORDS. TO THE BEST OF OUR KNOWLEDGE, THERE ARE NO EXISTING UTILITIES EXCEPT THOSE SHOWN ON THESE PLANS.

THE CONTRACTOR IS REQUIRED TO TAKE DUE PRECAUTIONARY MEASURES TO PROTECT THE UTILITY LINES SHOWN AND ANY OTHER LINES NOT OF RECORD OR NOT SHOWN ON ON THESE PLANS.

CALL UNDERGROUND SERVICE ALERT (USA) 1-800-227-2600 AT LEAST 48 HOURS PRIOR TO EXCAVATION.

THE QUANTITY ESTIMATE SHOWN HEREON IS FOR THE USE OF GOVERNING AGENCIES IN DETERMINING BOND AMOUNTS AND/OR FEES AND IS NOT TO BE USED FOR BID PURPOSES.

PRIOR TO CONSTRUCTION, THE CONTRACTOR SHALL POTHOLE ALL UTILITY CROSSINGS AND CONNECTIONS AND VERIFY THE LOCATION AND ELEVATION OF ALL UTILITIES AFFECTED. THE ENGINEER SHALL BE NOTIFIED OF ANY DISCREPANCIES BEFORE CONSTRUCTION BEGINS.



INDEX MAP

SCALE: 1"=60'

LEGEND

- T.B. - TOP OF BERM
- F.G. - FINISHED GRADE
- INV. - INVERT
- M.H. - MANHOLE
- F.L. - FLOW LINE
- H.P. - HIGH POINT
- EXIST. - EXISTING
- P.E. - PAD ELEVATION
- G.B. - GRADE BREAK

- TRACT BOUNDARY
- CENTERLINE
- PROPOSED 8" V.C.P. SEWER MAIN
- PROPOSED SEWER LATERAL WITH CLEANOUT
- PROPOSED SEWER MANHOLE
- EXISTING SEWER MAIN

CONSTRUCTION NOTES AND QUANTITIES

1. CONSTRUCT 8" P.V.C. SEWER MAIN (BEDDING CASE 1 PER CITY OF RIVERSIDE STD. 452) 309 LF
2. CONSTRUCT SEWER MANHOLE PER CITY OF RIVERSIDE STD. 500 2 EA.
3. CONSTRUCT 4" SEWER LATERAL WITH CLEANOUT @ P.L. PER CITY OF RIVERSIDE STD. 562A (BEDDING CASE 1 PER CITY OF RIVERSIDE STD. 452) 461 LF / 13 EA.
4. SAWCUT, REMOVE AND REPLACE A.C. PAVEMENT AND BASE 116 S.F.

BENCH MARK: E1-B2

ELEV. 737.632
P.K. NAIL IN THE SWISS DAIRY CONCRETE LOADING DOCK ON THE NORTHEASTERLY SIDE OF BUCHANAN STREET, NORTHWESTERLY SIDE OF FREEWAY, 12 FEET SOUTHEASTERLY OF THE NORTHWESTERLY CORNER OF THE LOADING DOCK.

CITY BUSINESS TAX CERTIFICATE NO. 107994 EXP. 06/13/06

Underground Service Alert
Call: TOLL FREE
1-800-227-2600
TWO WORKING DAYS BEFORE YOU DIG

CITY OF RIVERSIDE WATER SYSTEM
APPROVED BY: *MW McNeil* 10/27/05
VOID ONE YEAR FROM THIS DATE DATE

SDH & Associates, Inc
Civil Engineering - Land Planning
5225 Canyon Crest Drive Bldg. 300 Suite 357
Riverside, California 92507
TEL: (951) 788-2344 FAX (951) 788-2314

PROFESSIONAL ENGINEER
No. 21884
Exp. 9-30-07
CIVIL
STATE OF CALIFORNIA

PREPARED UNDER THE SUPERVISION OF:
Brian G. Escate 10/26/2005
DATE
BRIAN G. ESCATE
R.C.E.#: 21884 EXP.: 9-30-07

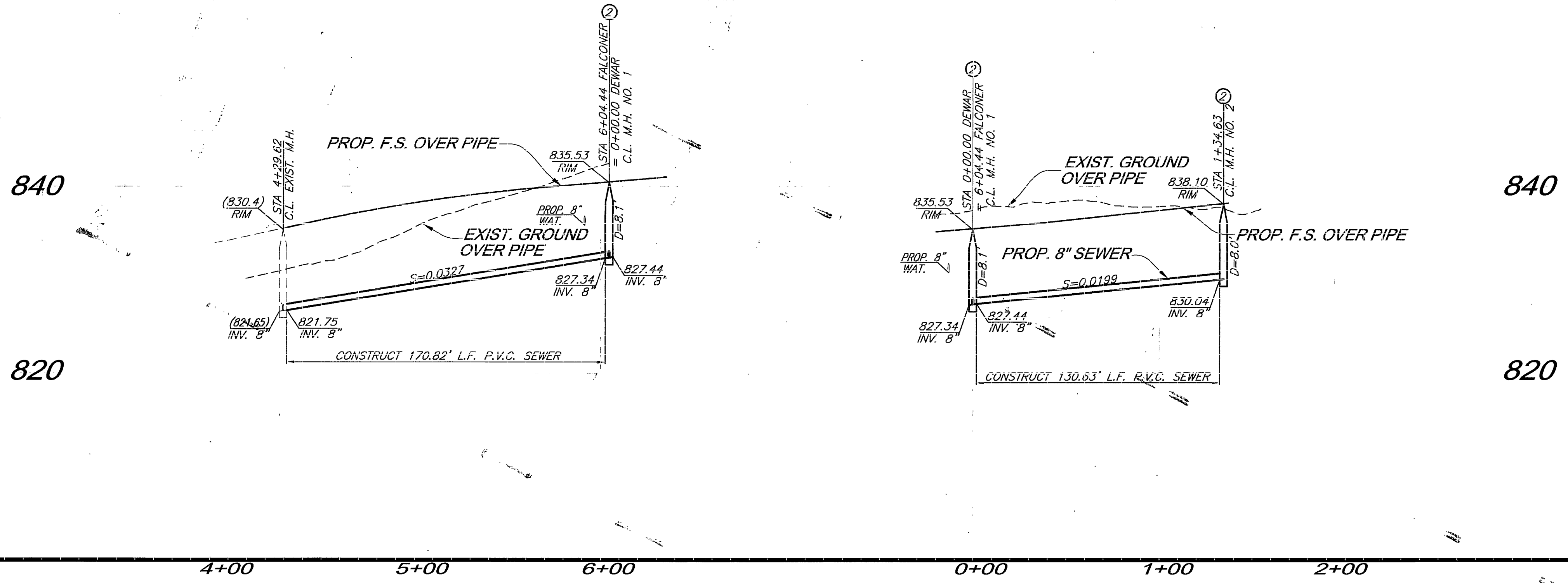
DESIGNED BY: S.S. DRAWN BY: J.S./O.C. CHECKED BY: S.S./B.G.E.

CITY OF RIVERSIDE, CALIFORNIA
PUBLIC WORKS DEPARTMENT
APPROVED BY: *[Signature]* DATE: 10/27/05
PRINCIPAL ENG. BY: *[Signature]* DATE: 10/27/05
TRAFFIC DIVISION

**TRACT 32741
SEWER IMPROVEMENT PLAN
TITLE SHEET**

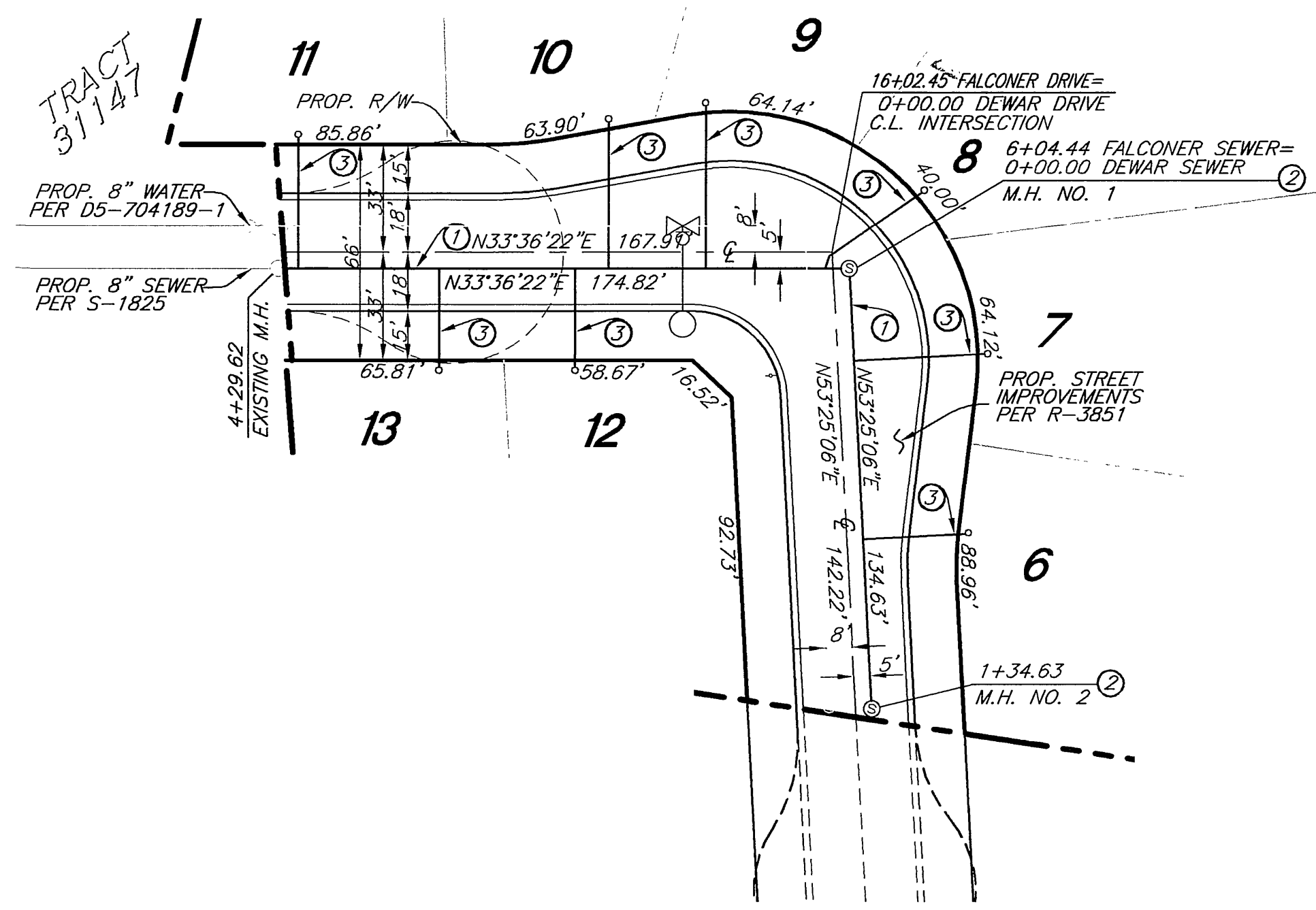
JOB NO. 0408
S-1903
SHEET 1 OF 3
PW05-0184

Profile Scale
 Horiz. 1" = 40 FT.
 Vert. 1" = 8 FT.



CONSTRUCTION NOTES

- ① CONSTRUCT 8" P.V.C. SEWER MAIN (BEDDING CASE 1 PER CITY OF RIVERSIDE STD. 452)
- ② CONSTRUCT SEWER MANHOLE PER CITY OF RIVERSIDE STD. 500
- ③ CONSTRUCT 4" SEWER LATERAL WITH CLEANOUT @ P.L. PER CITY OF RIVERSIDE STD. 562A (BEDDING CASE 1 PER CITY OF RIVERSIDE STD. 452)
- ④ SAWCUT, REMOVE AND REPLACE A.C. PAVEMENT AND BASE



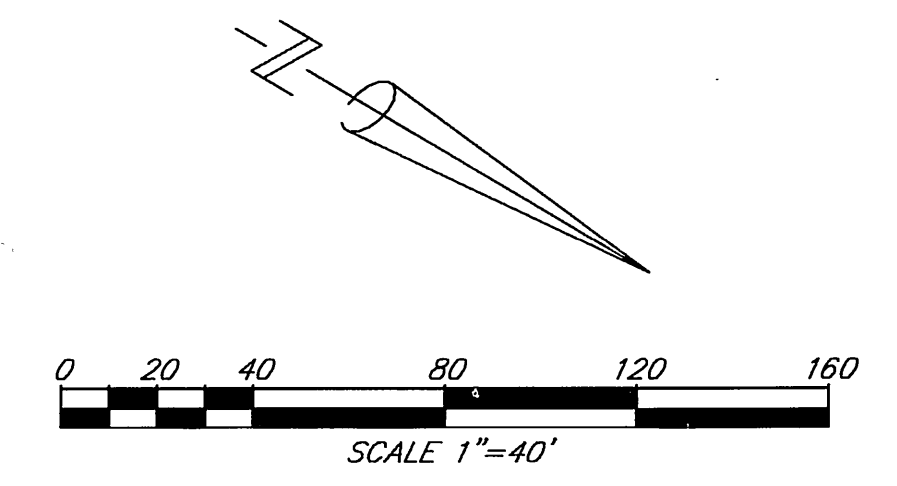
**FALCONER DRIVE
 DEWAR DRIVE**

BENCHMARK: E1-B2

ELEV. 737.632
 P.K. NAIL IN THE SWISS DAIRY CONCRETE LOADING DOCK
 ON THE NORTHEASTERLY SIDE OF BUCHANAN STREET,
 NORTHWESTERLY SIDE OF FREEWAY, 12 FEET SOUTHEASTERLY
 OF THE NORTHWESTERLY CORNER OF THE LOADING DOCK.

LEGEND

- T.B. - TOP OF BERM
- F.G. - FINISHED GRADE
- INV. - INVERT
- M.H. - MANHOLE
- F.L. - FLOW LINE
- H.P. - HIGH POINT
- EXIST. - EXISTING
- P.E. - PAD ELEVATION
- G.B. - GRADE BREAK
- TRACT BOUNDARY
- CENTERLINE
- PROPOSED 8" V.C.P. SEWER MAIN
- PROPOSED SEWER LATERAL WITH CLEANOUT
- PROPOSED SEWER MANHOLE
- EXISTING SEWER MAIN



CITY BUSINESS TAX CERTIFICATE NO. 107994 EXP. 06/13/06

Underground Service Alert
 Call: TOLL FREE
 1-800-227-2600
 TWO WORKING DAYS BEFORE YOU DIG

CITY OF RIVERSIDE WATER SYSTEM
 APPROVED BY MW McLeod DATE 10/27/05
 VOID ONE YEAR FROM THIS DATE

SDH & Associates, Inc.
 Civil Engineering - Land Planning
 5225 Canyon Crest Drive Bldg. 300 Suite 357
 Riverside, California 92507
 TEL: (951) 788-2344 FAX (951) 788-2314



PREPARED UNDER THE SUPERVISION OF:
Brian G. Escate DATE 10/26/2005
 BRIAN G. ESCATE
 R.C.E.#: 21884 EXP.: 9-30-07

DESIGNED BY	REVISIONS	APR. DATE
S.S.		
DRAWN BY		
T.S./D.C.		
CHECKED BY		
S.S./B.G.E.		

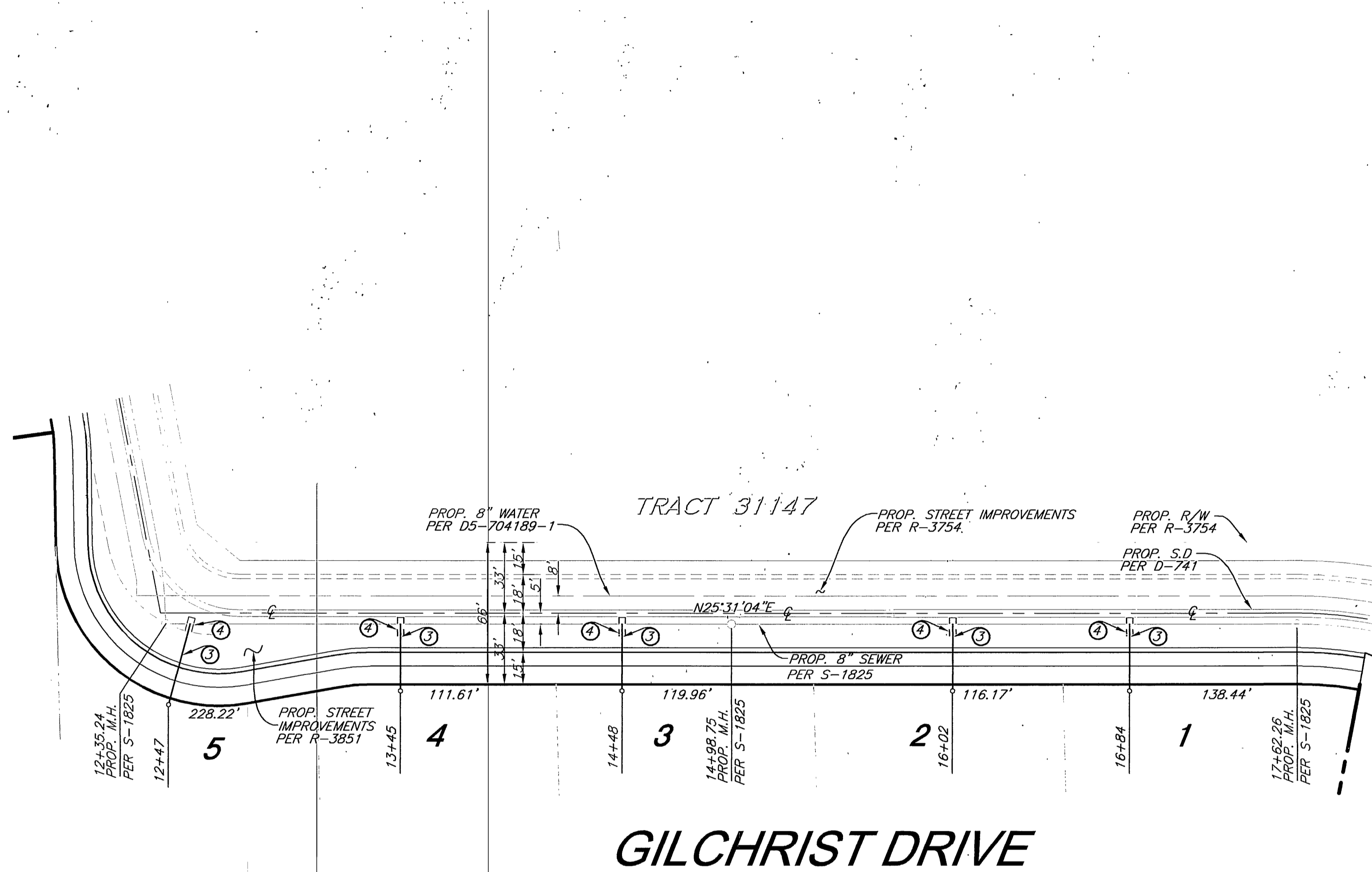
CITY OF RIVERSIDE, CALIFORNIA
 PUBLIC WORKS DEPARTMENT
 APPROVED BY [Signature] DATE 10/26/05
 PRINCIPAL ENG. [Signature]
 PARK DEPT. [Signature]
 TRAFFIC DIVISION [Signature]
 DATE 10/15/05

**TRACT 32741
 SEWER IMPROVEMENT PLAN
 FALCONER DRIVE
 DEWAR DRIVE**

JOB NO. 0408
S-1903
 SHEET 2 OF 3
PW05-0184

RIZ

INDEXED 11-17-05 LPH

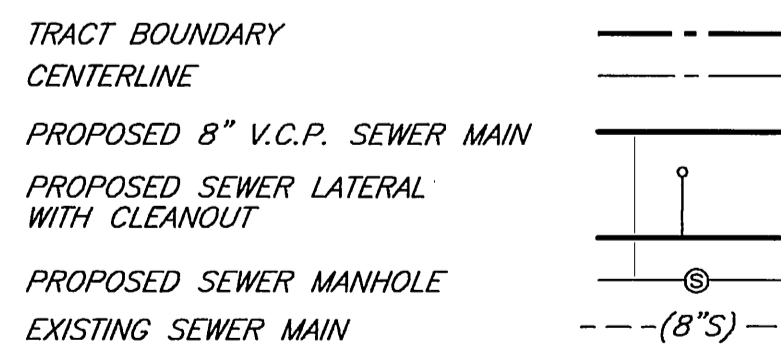


CONSTRUCTION NOTES AND QUANTITIES

- ③ CONSTRUCT 4" SEWER LATERAL WITH CLEANOUT @ P.L. PER CITY OF RIVERSIDE STD. 562A
- ④ SAWCUT, REMOVE AND REPLACE A.C. PAVEMENT AND BASE

LEGEND

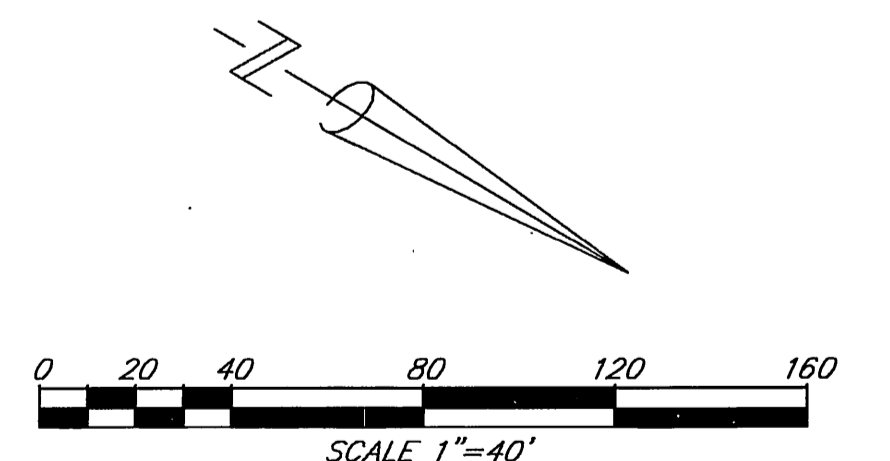
- T.B. - TOP OF BERM
- F.G. - FINISHED GRADE
- INV. - INVERT
- M.H. - MANHOLE
- F.L. - FLOW LINE
- H.P. - HIGH POINT
- EXIST. - EXISTING
- P.E. - PAD ELEVATION
- G.B. - GRADE BREAK



GILCHRIST DRIVE

BENCHMARK: EI-B2

ELEV. 737.632
 P.K. NAIL IN THE SWISS DAIRY CONCRETE LOADING DOCK ON THE NORTHEASTERLY SIDE OF BUCHANAN STREET, NORTHWESTERLY SIDE OF FREEWAY, 12 FEET SOUTHEASTERLY OF THE NORTHWESTERLY CORNER OF THE LOADING DOCK.



CITY BUSINESS TAX CERTIFICATE NO. 107994 EXP. 06/13/06

Underground Service Alert
 Call: TOLL FREE 1-800-227-2600
 TWO WORKING DAYS BEFORE YOU DIG

CITY OF RIVERSIDE WATER SYSTEM
 APPROVED BY *MW McLeod* 10/27/05
 VOID ONE YEAR FROM THIS DATE DATE

SDH & Associates, Inc
 Civil Engineering - Land Planning
 5225 Canyon Crest Drive Bldg. 300 Suite 357
 Riverside, California 92507
 TEL: (951) 788-2344 FAX (951) 788-2314



PREPARED UNDER THE SUPERVISION OF:
Brian G. Escobar 10/26/05
 BRIAN G. ESCOBAR DATE
 R.C.E.#: 21884 EXP.: 9-30-07

MARK	REVISIONS	APR.	DATE

DESIGNED BY: S.S. DRAWN BY: T.S./D.C. CHECKED BY: S.S./B.G.E.

CITY OF RIVERSIDE, CALIFORNIA PUBLIC WORKS DEPARTMENT
 APPROVED BY: *[Signature]* DATE: 11/18/05
 CITY ENGINEER

TRACT 32741
SEWER IMPROVEMENT PLAN
GILCHRIST DRIVE

JOB NO. 0408
S-1903
 SHEET 3 OF 3
PW05-0184