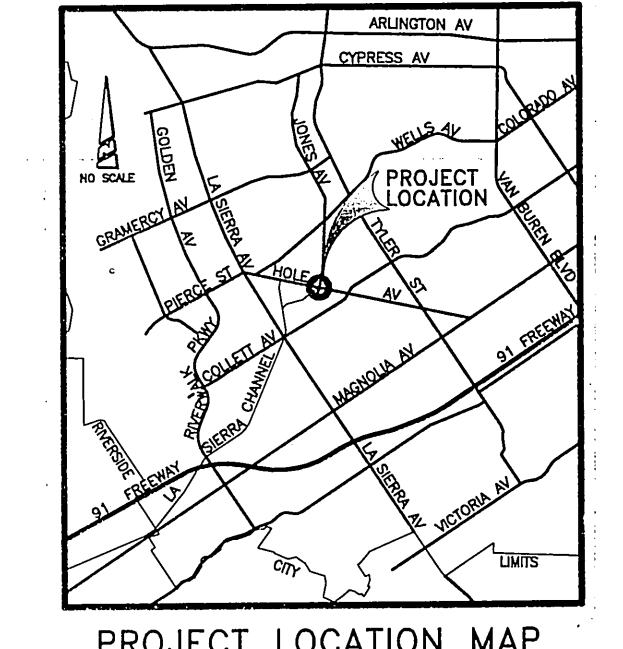


GENERAL CONSTRUCTION NOTES:

- EXISTING UTILITIES SHOWN ON THE PLAN ARE PLOTTED FROM UTILITY RECORDS. THE CONTRACTOR IS REQUIRED TO TAKE DUE PRECAUTIONARY MEASURES TO LOCATE AND PROTECT ALL UTILITIES WHETHER OR NOT SHOWN ON THIS PLAN.
- PRIME CONTRACTORS BIDDING THIS WORK SHALL HAVE A CLASS "A", "C-34", OR "C-42" LICENSE.
- ALL ELEVATIONS SHOWN ON THE PLANS SHALL BE STAKED IN THE FIELD.
- CONSTRUCTION SHALL BE IN ACCORDANCE WITH THE CITY OF RIVERSIDE STANDARD DRAWINGS AND STANDARD SPECIFICATIONS FOR PUBLIC WORKS CONSTRUCTION, 2003 EDITION.
- CONTRACTOR SHALL POTHOLE AND VERIFY LOCATIONS AND ELEVATIONS OF UTILITIES CROSSING THE PROPOSED SEWER PRIOR TO THE START OF CONSTRUCTION.
- BACKFILLING OF TRENCH AND PAVEMENT REPLACEMENT SHALL BE DONE PER CITY OF RIVERSIDE STANDARD DRAWING 453.

CONSTRUCTION LEGEND:

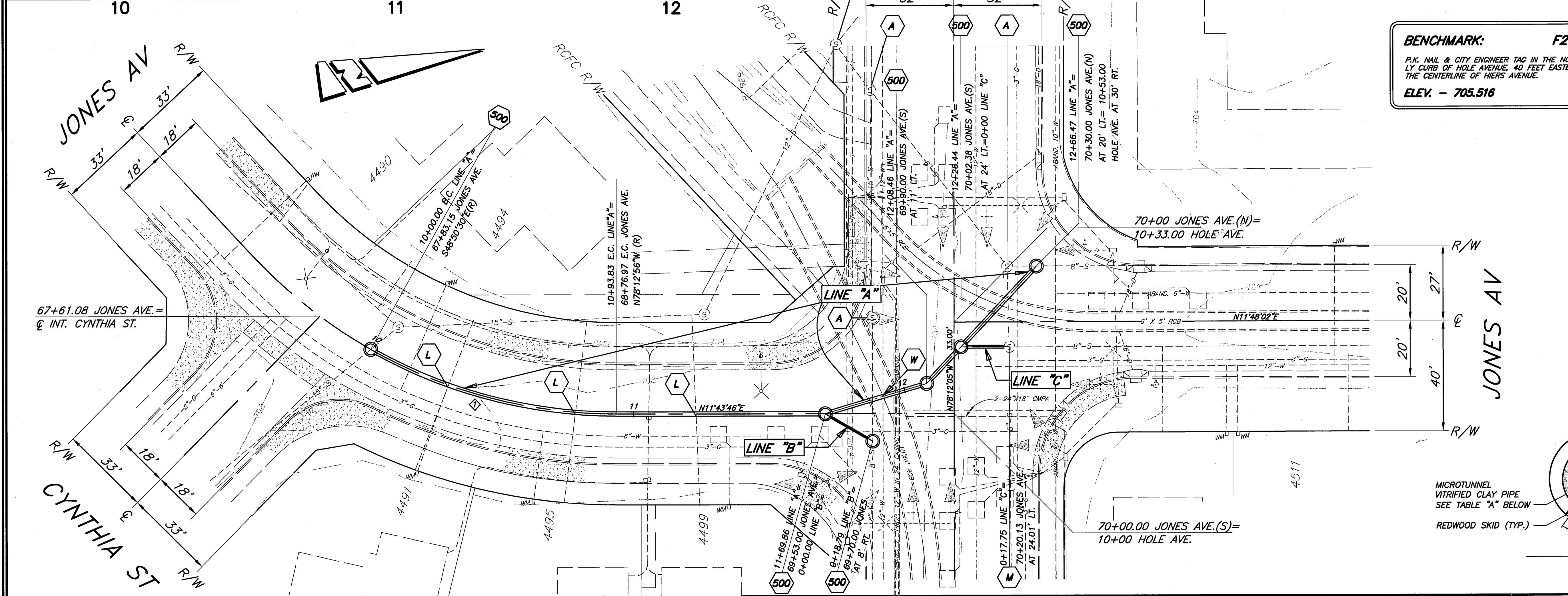
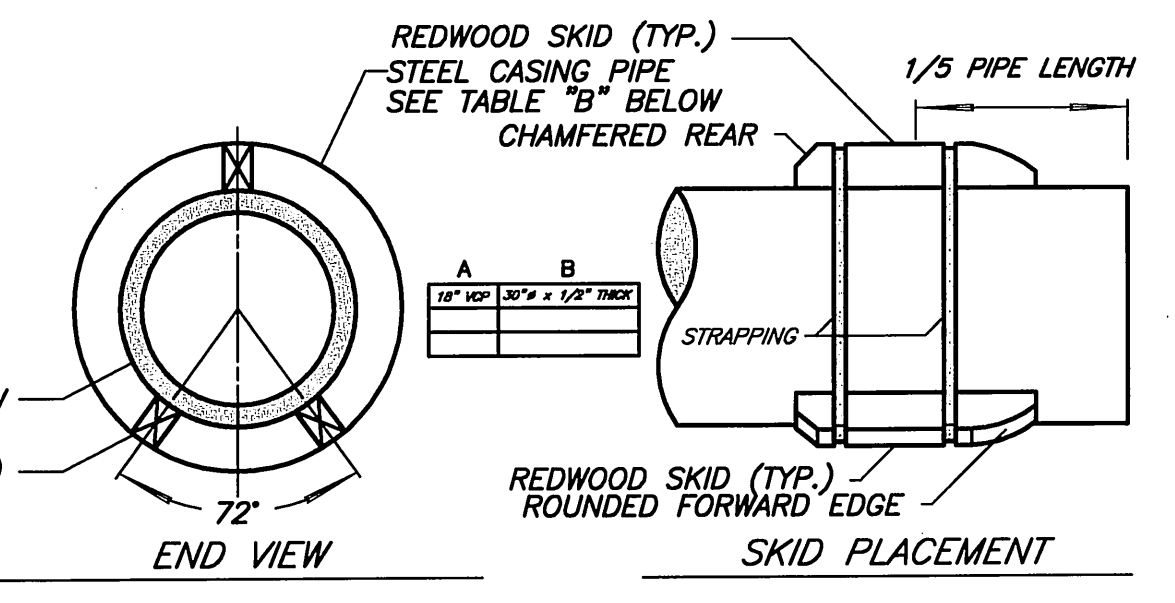
- NUMBERS ABOVE 100 IN A HEXAGON ON THE PLAN REFER TO THE RESPECTIVE STANDARD DRAWING AND SHALL BE CONSTRUCTED ACCORDINGLY UNLESS MODIFICATIONS ARE NOTED ON THE PLAN. ANY NUMBER SHOWN BELOW THE STANDARD DRAWING NUMBER INDICATES THE SPECIFIC ALTERNATE TO BE CONSTRUCTED. MODIFICATIONS ARE NOTED ON THE PLAN. ANY NUMBER SHOWN BELOW THE STANDARD DRAWING NUMBER INDICATES THE SPECIFIC ALTERNATE TO BE CONSTRUCTED.
- PLUG & ABANDON EXISTING INLET OR OUTLET PIPES. RECHANNEL MANHOLE BASE TO FLOW PER STANDARD DRAWING 500.
- EXISTING 12" WATERLINE TO BE RELOCATED BY CONTRACTOR (PER PU WATER DIV. PLAN D-0704791) PRIOR TO SEWER CONSTRUCTION TO CLEAR PROPOSED SEWER BORING OPERATIONS.
- ABANDON MANHOLE AND ADJACENT CONDUITS.
- CONNECT EXIST. LATERAL TO NEW SEWER PER STD. DWG. 554.



BENCHMARK: F2-M3
 P.K. NAIL & CITY ENGINEER TAG IN THE NORTHERLY CURB OF HOLE AVENUE, 40 FEET EASTERLY OF THE CENTERLINE OF HERS AVENUE.
ELEV. - 705.516

NOTES FOR STEEL CASING BID ALTERNATE

- SKIDS SHALL BE REDWOOD, 30" LONG, 4" WIDE, AND OF SUFFICIENT HEIGHT TO PROVIDE A MINIMUM 3" CLEARANCE BETWEEN INVERT OF CASING AND O.D. OF MICROTUNNEL VCP. ALL SKIDS SHALL BE OF EQUAL DIMENSIONS AND POSITIONED UNIFORMLY.
- ALL STEEL CASING PIPE FIELD JOINTS SHALL BE WELDED WITH A CONTINUOUS CIRCUMFERENTIAL WELD.
- CARRIER PIPE SHALL BE AIR TESTED PRIOR TO SLURRY BACKFILLING AND SEALING CASING.
- VOID BETWEEN CASING AND CARRIER PIPE SHALL BE FILLED WITH ONE SACK .-CC SLURRY MIX.
- UPSTREAM AND DOWNSTREAM ELEVATIONS TO BE VERIFIED PRIOR TO SEALING CASING.
- ENDS OF CASING TO BE SEALED WITH BRICK AND MORTAR. PLACE 1" Ø MINIMUM PVC PIPE AT INVERT OF CASING (THROUGH BRICK) AND SURROUND WITH 2 CUBIC FEET CRUSHED ROCK.



CURVE DATA

Curve	R	L	T
1	29' 22'26"	183'	47.96'

IMPORTANT NOTICE
 Section 4216/4217 of the Government Code requires a Dig Alert identification number to be placed before a "Hole in Concrete" will be used. For your Dig Alert ID, Number call CALL TOLL FREE 48 HOURS BEFORE YOU DIG UNDERGROUND SERVICE ALERT 1-800-227-2600

ENGINEER IN RESPONSIBLE CHARGE
 LAUREN F. CALDWELL
 R.C.E. No. 39441 expires 12/31/2005
 DATE 3/9/2007

CITY OF RIVERSIDE, CALIFORNIA
 PUBLIC WORKS DEPARTMENT
 APPROVED BY: [Signature]
 DATE: 3/22/07

JONES AVE. & HOLE AVE. RELIEF SEWER
 S-1924
 SHEET 1 OF 1

ACCT. NO.: 977023203-44030109
 WORK ORDER NO.: 0707289
 HORIZONTAL SCALE: 1"=20'
 VERTICAL SCALE: 1"=4'