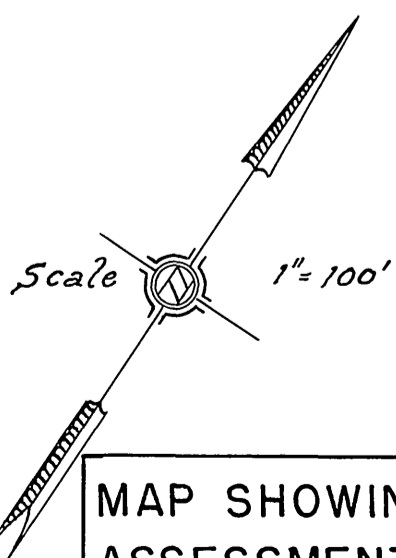
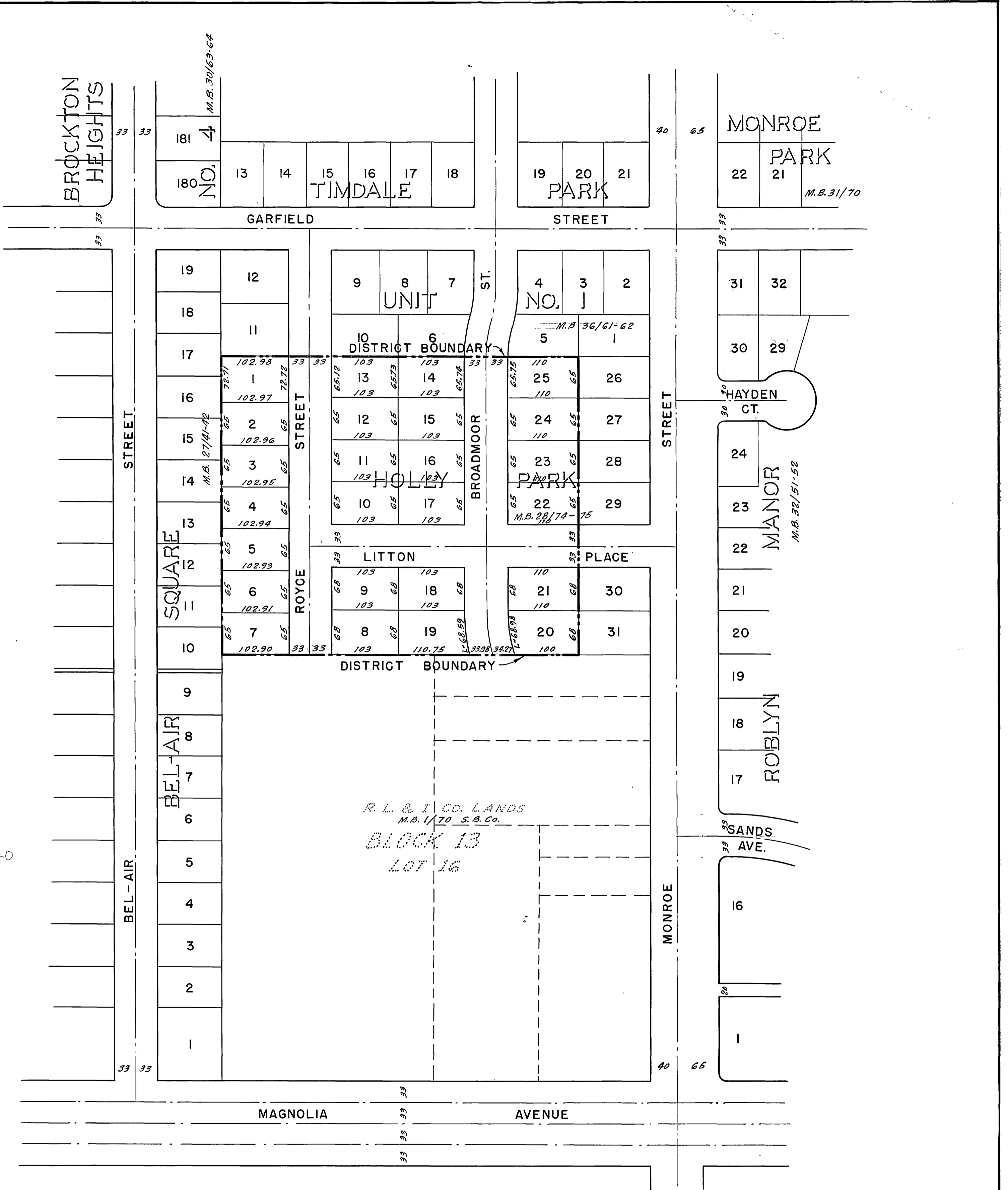


$\frac{9,853}{25} = 394$
 $\frac{3,853}{30} = 328, \text{ } \times 5 = 1,640$
 ON 9-1988



MAP SHOWING THE LANDS INCLUDED WITHIN THE ASSESSMENT DISTRICT TO BE BENEFITED BY THE CONSTRUCTION OF SANITARY SEWER

REVISIONS			CITY OF RIVERSIDE CALIFORNIA DEPARTMENT OF PUBLIC WORKS	
MARK	DATE	DESCRIPTION		
			HOLLY PARK SANITARY SEWER DISTRICT	
DESIGNED BY H.L.M.		CHECKED BY Ernest N. Wells	APPROVED BY [Signature]	
DRAWN BY H.L.M.		R.E. 9876	S-192A	
REVISION BY A.R. Thal			SEP 29 1959	