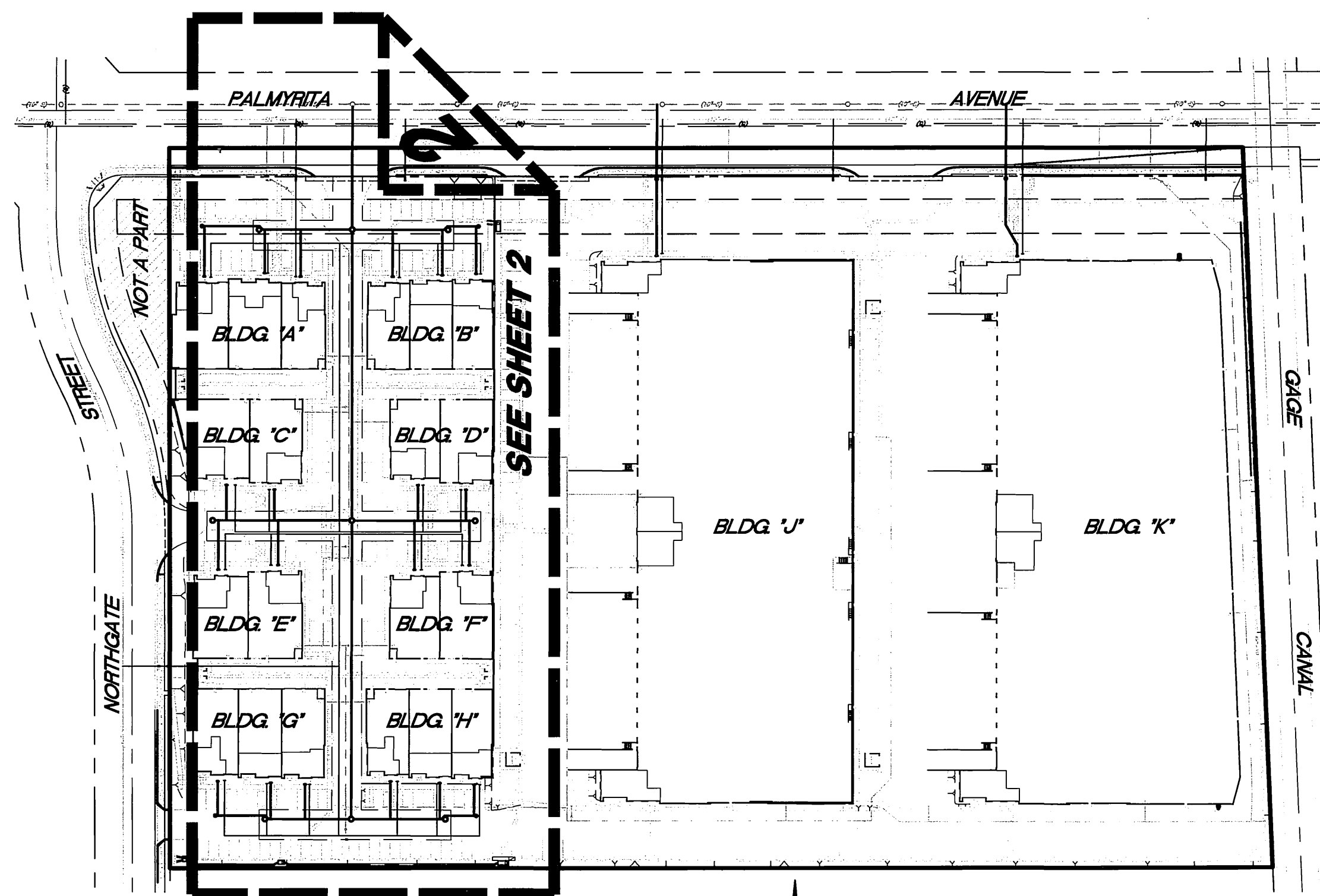


# PUBLIC SEWER IMPROVEMENT PLANS

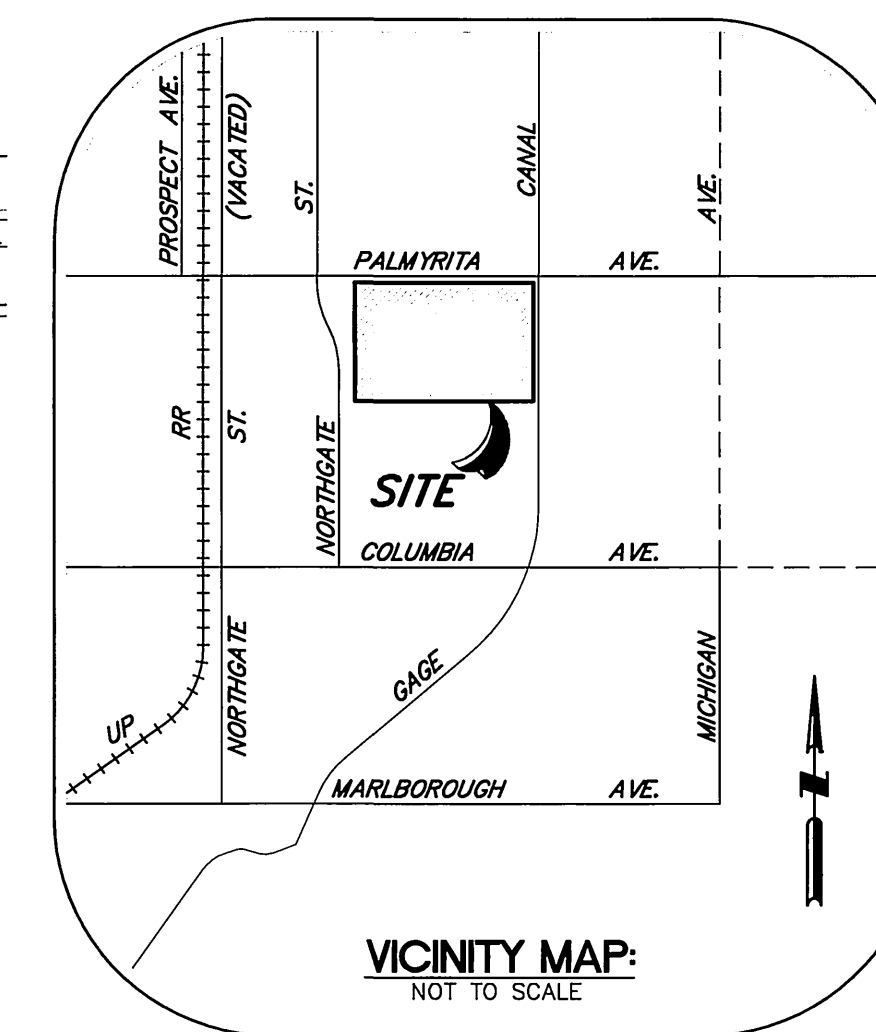
## HUNTER PARK - PALMYRITA INDUSTRIAL COMPLEX

### GENERAL NOTES:

1. NO PERSON SHALL PERFORM ANY CONSTRUCTION ACTIVITY OR INSTALL ANY OBJECTS WITHIN THE PUBLIC RIGHTS-OF-WAY OR EASEMENTS OF THE CITY OF RIVERSIDE WITHOUT A VALID CONSTRUCTION PERMIT OR, A STREET OPENING PERMIT OR AN ENCROACHMENT PERMIT ISSUED BY THE CITY'S PUBLIC WORKS DEPARTMENT.
2. IT SHALL BE THE RESPONSIBILITY OF THE CONTRACTOR TO CLEAR THE RIGHT OF WAY IN ACCORDANCE WITH THE PROVISIONS OF LAW AS IT AFFECTS EACH UTILITY INCLUDING IRRIGATION LINES AND APPURTENANCES AND AT NO COST TO THE CITY.
3. CONSTRUCTION SHALL BE IN ACCORDANCE WITH THE CITY OF RIVERSIDE DEPARTMENT OF PUBLIC WORKS, STANDARD DRAWINGS, ITS SUPPLEMENTAL NOTES AND THE STANDARD SPECIFICATIONS FOR PUBLIC WORKS CONSTRUCTION, CURRENT EDITION.
4. THE PRIVATE ENGINEER SIGNING THESE PLANS IS RESPONSIBLE FOR ASSURING THE ACCURACY AND ACCEPTABILITY OF THE WORK HEREON. IN THE EVENT OF DISCREPANCIES ARISING DURING CONSTRUCTION, THE PRIVATE ENGINEER SHALL BE RESPONSIBLE FOR DETERMINING AN ACCEPTABLE SOLUTION AND REVISING THE PLANS FOR APPROVAL BY THE CITY.
5. QUANTITIES SHOWN ARE FOR INFORMATION ONLY AND THE CITY OF RIVERSIDE IS NOT RESPONSIBLE FOR THEIR ACCURACY.
6. THE DEVELOPER SHALL BE RESPONSIBLE FOR PRESERVING OR RE-ESTABLISHING AND REFERENCING SURVEY MONUMENTS DESTROYED, DISTURBED OR BURIED AS A RESULT OF CONSTRUCTION SHOWN HEREON.
7. SEE "STREET LIGHTING PLANS" FOR QUANTITY AND LOCATION OF REQUIRED STREET LIGHTS.
8. ALL FLAGGED ELEVATIONS SHALL BE STAKED IN THE FIELD BY THE PRIVATE ENGINEER.
9. WHERE NEW PAVEMENT IS TO JOIN THE EXISTING PAVEMENT, THE EDGE OF THE EXISTING PAVEMENT SHALL BE TRIMMED IN A SMOOTH AND STRAIGHT LINE. CONSTRUCT MATCH-UP PAVING AS SHOWN ON THE PLANS AND OVERLAY PAVING AS DIRECTED IN THE FIELD TO PRODUCE A SMOOTH SECTION.
10. THE DEVELOPER AND/OR CONTRACTOR SHALL CONTACT THE STREET DIVISION (351-6127) TO PICK UP ANY EXISTING STD. 180 BARRICADES THAT ARE BEING REMOVED. THE CITY'S INSPECTOR WILL MAKE THE FINAL DETERMINATION ON WHETHER A BARRICADE CAN BE RELOCATED.
11. ON ALL AREAS WITHIN PUBLIC RIGHT OF WAY WHERE THE FILL IS ONE (1) FOOT OR GREATER, A LETTER WILL BE REQUIRED FROM THE SOILS ENGINEER, CERTIFYING THE COMPACTION OF THE FILL BELOW SUBGRADE, PRIOR TO ISSUANCE OF THE CONSTRUCTION PERMIT/CUT SHEETS.
12. THE CONTRACTOR SHALL CALL IN A LOCATION REQUEST TO UNDERGROUND SERVICE ALERT (USA), PHONE # 1-800-227-2600, TWO WORKING DAYS BEFORE DIGGING. NO CONSTRUCTION PERMIT WILL BE ISSUED BY THE PUBLIC WORKS DEPARTMENT INVOLVING EXCAVATION FOR UNDERGROUND FACILITIES UNLESS THE APPLICANT HAS BEEN PROVIDED AN INQUIRY IDENTIFICATION NUMBER BY U.S.A.
13. CONTRACTOR IS TO VERIFY EXISTING SEWER ELEVATION PRIOR TO CONSTRUCTION.
14. LOCATION OF LATERALS TO BE DETERMINED IN THE FIELD AT THE DIRECTION OF THE OWNER. AVOID CONFLICT WITH PROPOSED AND/OR EXISTING FACILITIES.
15. NO FINISHED FLOOR ELEVATION SHALL BE LESS THAN 6" ABOVE THE UPPER MANHOLE RIM ELEVATION OF THE SEWER LINE SEGMENT BEING CONNECTED TO, WITHOUT HAVING A PROPER BACKWATER VALVE INSTALLED IN THE LATERAL.
16. A PLUG SHALL BE INSTALLED AND WILL REMAIN IN PLACE WHERE THE NEW SEWER CONNECTS WITH THE EXISTING SEWER UNTIL THE NEW SEWER IS ACCEPTED BY THE CITY.
17. THE SEWER CONTRACTOR SHALL ADJUST MANHOLES TO FINAL GRADE AFTER PAVING IS COMPLETED.
18. IN PAVEMENT OVERLAY AREAS, ANY DISTRESSED EXISTING PAVEMENT SHALL BE REMOVED AND REPLACED AS DIRECTED BY THE INSPECTOR PRIOR TO OVERLAYING WITH A.C. PAVING.



**INDEX MAP**  
SCALE: 1" = 100'



### LEGAL DESCRIPTION

PARCEL A:  
THAT PORTION OF LOT 6 IN SECTION 17, TOWNSHIP 2 SOUTH, RANGE 4 WEST, SAN BERNARDINO BASE AND MERIDIAN, AS SHOWN BY MAP OF LAND OF THE EAST RIVERSIDE LAND COMPANY ON FILE IN BOOK 6, PAGE 44 OF MAPS, RECORDS OF SAN BERNARDINO COUNTY, CALIFORNIA, LYING WESTERLY OF THE WESTERLY LINE OF THE RIGHT OF WAY OF THE GAGE CANAL.

PARCEL B:  
LOT 7 IN SECTION 17, TOWNSHIP 2 SOUTH, RANGE 4 WEST, SAN BERNARDINO BASE AND MERIDIAN, AS SHOWN BY MAP OF LAND OF THE EAST RIVERSIDE LAND COMPANY ON FILE IN BOOK 6, PAGE 44 OF MAPS, RECORDS OF SAN BERNARDINO COUNTY, CALIFORNIA.

### NOTICE TO CONTRACTORS

CONSTRUCTION CONTRACTOR AGREES THAT IN ACCORDANCE WITH GENERALLY ACCEPTED CONSTRUCTION PRACTICES, CONSTRUCTION CONTRACTOR WILL BE REQUIRED TO ASSUME SOLE AND COMPLETE RESPONSIBILITY FOR JOB SITE CONDITIONS DURING THE COURSE OF CONSTRUCTION OF THE PROJECT, INCLUDING SAFETY OF ALL PERSONS AND PROPERTY; THAT THIS REQUIREMENT SHALL BE MADE TO APPLY CONTINUOUSLY AND NOT BE LIMITED TO NORMAL WORKING HOURS, AND CONSTRUCTION CONTRACTOR FURTHER AGREES TO DEFEND, INDEMNIFY AND HOLD DESIGN PROFESSIONAL HARMLESS FROM ANY AND ALL LIABILITY, REAL OR ALLEGED, IN CONNECTION WITH THE PERFORMANCE OF WORK ON THIS PROJECT, EXCEPTING LIABILITY ARISING FROM THE SOLE NEGLIGENCE OF DESIGN PROFESSIONAL.

ALL CONTRACTOR AND SUBCONTRACTORS PERFORMING WORK SHOWN ON OR RELATED TO THESE PLANS SHALL CONDUCT THEIR OPERATIONS SO THAT EMPLOYEES ARE PROVIDED A SAFE PLACE TO WORK AND THE PUBLIC IS PROTECTED. ALL CONTRACTORS AND SUBCONTRACTORS SHALL COMPLY WITH THE "OCCUPATIONAL SAFETY AND HEALTH REGULATIONS" OF THE U.S. DEPARTMENT OF LABOR AND WITH THE STATE OF CALIFORNIA DEPARTMENT OF INDUSTRIAL RELATIONS "CONSTRUCTION SAFETY ORDERS". THE CIVIL ENGINEER SHALL NOT BE RESPONSIBLE IN ANY WAY FOR THE CONTRACTOR OR SUBCONTRACTORS COMPLIANCE WITH SAID REGULATIONS AND ORDERS.

### PRIVATE ENGINEER'S NOTICES TO CONTRACTORS

THE EXISTENCE AND APPROXIMATE LOCATION OF ANY UNDERGROUND UTILITIES OR STRUCTURES SHOWN ON THESE PLANS ARE OBTAINED BY A SEARCH OF AVAILABLE RECORDS. TO THE BEST OF OUR KNOWLEDGE, THERE ARE NO EXISTING UTILITIES OR STRUCTURES EXCEPT AS SHOWN ON THESE PLANS. THE ENGINEER ASSUMES NO LIABILITY AS TO THE EXACT LOCATION OF SAID LINES NOR FOR UTILITIES OR IRRIGATION LINES WHOSE LOCATIONS ARE NOT SHOWN. THE CONTRACTOR SHALL BE RESPONSIBLE FOR NOTIFYING ALL UTILITY AND IRRIGATION COMPANIES PRIOR TO WORK ON EXCAVATION TO DETERMINE EXACT LOCATION OF ALL LINES AFFECTING THIS WORK, WHETHER OR NOT SHOWN HEREON, AND FOR ANY DAMAGE OR PROTECTION OF THESE LINES.

THE CONTRACTOR SHALL CALL IN A LOCATION REQUEST TO UNDERGROUND SERVICE ALERT (U.S.A.) PHONE 1-800-422-4133 TWO (2) WORKING DAYS PRIOR TO DIGGING. NO CONSTRUCTION PERMIT ISSUED BY PUBLIC WORKS DEPARTMENT SHALL BE VALID INVOLVING UNDERGROUND FACILITIES UNLESS THE APPLICANT HAS AN INQUIRY IDENTIFICATION NUMBER ISSUED BY U.S.A.

### OWNER/DEVELOPER

PANATTONI DEVELOPMENT COMPANY  
18111 VON KARMEN AVENUE, SUITE 500  
IRVINE, CALIFORNIA 92619  
(949) 474-7830 OFFICE  
(949) 474-7833 FAX  
ATTENTION: TAYLOR GERRY

### CIVIL ENGINEER

SB&O, INC.  
1035 SOUTH MILLIKEN AVENUE, SUITE "E"  
ONTARIO, CALIFORNIA 91761  
(909) 635-0335 OFFICE  
(909) 635-0365 FAX  
ATTENTION: DON BROOKS

### ASSESSOR'S PARCEL No.(s)

257-020-003, -004

### ACREAGE

13.78 AC = TOTAL PROPERTY IN QUESTION

### SHEET INDEX

SHEET	DESCRIPTION
1	TITLE SHEET
2	ONSITE PUBLIC SEWER PLAN AND PROFILE
3	ONSITE PUBLIC SEWER PLAN LATERALS

### LIST OF ABBREVIATIONS

BC	BEGIN CURVE
BVC	BEGIN VERTICAL CURVE
BW	BOTTOM OF WALL
CB	CATCH BASIN
CF	CURB FACE
CFS	CUBIC FEET PER SECOND
D/W	DRIVEWAY
DWG	DRAWING
EC	END CURVE
ELEV	ELEVATION
EP	EDGE OF PAVEMENT
ESMT.	EASEMENT
EVC	END VERTICAL CURVE
F.F.	FINISH FLOOR ELEVATION
FL	FLOWLINE
GB	GRADE BREAK
GTR	GUTTER
HDWL	HEADWALL
H	HORIZONTAL
H.P.	HIGH POINT
INV.	INVERT
L	LENGTH
LF	LINEAL FEET
LMD	LANDSCAPE MAINTENANCE DISTRICT
L.P.	LOW POINT
NO	NUMBER
N.T.S.	NOT TO SCALE
PAD	PAD ELEVATION
P.I.P.	PROTECT IN PLACE
RCP	REINFORCED CONCRETE PIPE
SD	STORM DRAIN
ST	STREET
STD	STANDARD
S/W	SIDEWALK
TC	TOP OF CURB
TF	TOP OF FOOTING
TRW	TOP OF RETAINING PORTION OF WALL
TW	TOP OF WALL
V	VERTICAL
W	WIDTH

### LEGEND

DESCRIPTION	SYMBOL
EXISTING SPOT ELEVATION	(115.0)
FINISH SPOT ELEVATION	115.0
WATER LATERAL	⊗
SEWER LATERAL	⊙
FIRE HYDRANT	⊙
STREET TREE	⊙
DIRECTION OF DRAINAGE	→
SLOPE	—V—
RETAINING WALL	—V—
MASONRY PERIMETER WALL	—V—
PROPERTY LINES	—V—
SUBDIVISION BOUNDARY	—V—

### SEWER IMPROVEMENT CONSTRUCTION NOTES:

- ① CONSTRUCT TRENCH BACKFILL AND REPAIR PER CITY OF RIVERSIDE STD. DWG. NO. 453 (2 SHEETS)
- ② INSTALL 8" VCP SEWER MAIN
- ③ INSTALL 10"x8" SEWER SADDLE
- ④ CONSTRUCT PRECAST CONCRETE SEWER MANHOLE PER CITY OF RIVERSIDE STD. DWG. NO. 500
- ⑤ INSTALL 4" VCP SEWER LATERAL
- ⑥ INSTALL SEWER CLEANOUT PER CITY OF RIVERSIDE STD. DWG. NO. 560

### QUANTITIES

275 SF
625 LF
1 EA.
1 EA.
709 LF
4 EA

PUBLIC UTILITIES DEPARTMENT  
ELECTRIC DIVISION

APPROVED BY DATE  
DATE

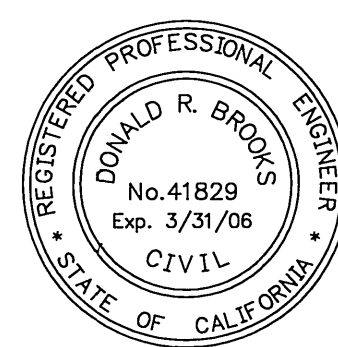
WATER DEPARTMENT  
DIVISION

APPROVED BY DATE  
DATE

FIRE DEPARTMENT

APPROVED BY DATE  
DATE

Underground Service Alert  
Call: TOLL FREE  
1-800-227-2600  
227-2600  
TWO WORKING DAYS BEFORE YOU DIG



**SB&O INC.**  
1035 South Milliken Ave, Ste E  
Ontario, CA 91761  
P: (909) 635-0335  
F: (909) 635-0365  
www.sboinc.com

**Don Brooks**  
R.C.E. 41829 EXP. 3/31/06  
DATE 9/20/05

CITY OF RIVERSIDE - BUSINESS TAX CERTIFICATE - NO. 119398, EXP. 2/24/06

**J8-D3 BENCHMARK**

LEAD AND TACK IN THE TOP OF CURB 3.5' N'LY OF THE BCR OF THE N.W. CURB RETURN, PALMYRITA AND IOWA INTERSECTION.

ELEVATION: 918.908

MARK	REVISIONS	APPR.	DATE

CITY OF RIVERSIDE, CALIFORNIA  
PUBLIC WORKS DEPARTMENT

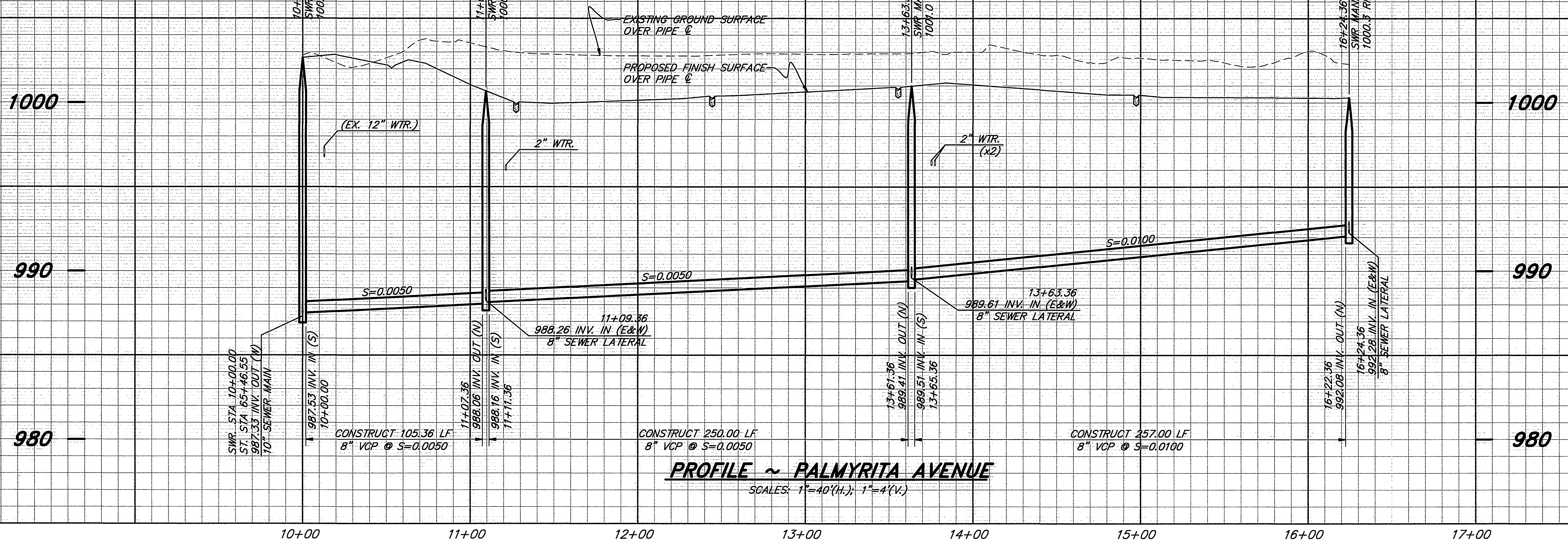
APPROVED BY	BY	DATE	APPROVED BY
PRINCIPAL ENGINEER			
TRAFFIC ENGINEER			
STREET SERVICES			

DESIGNED BY \_\_\_\_\_ DRAWN BY JIT CHECKED BY DP

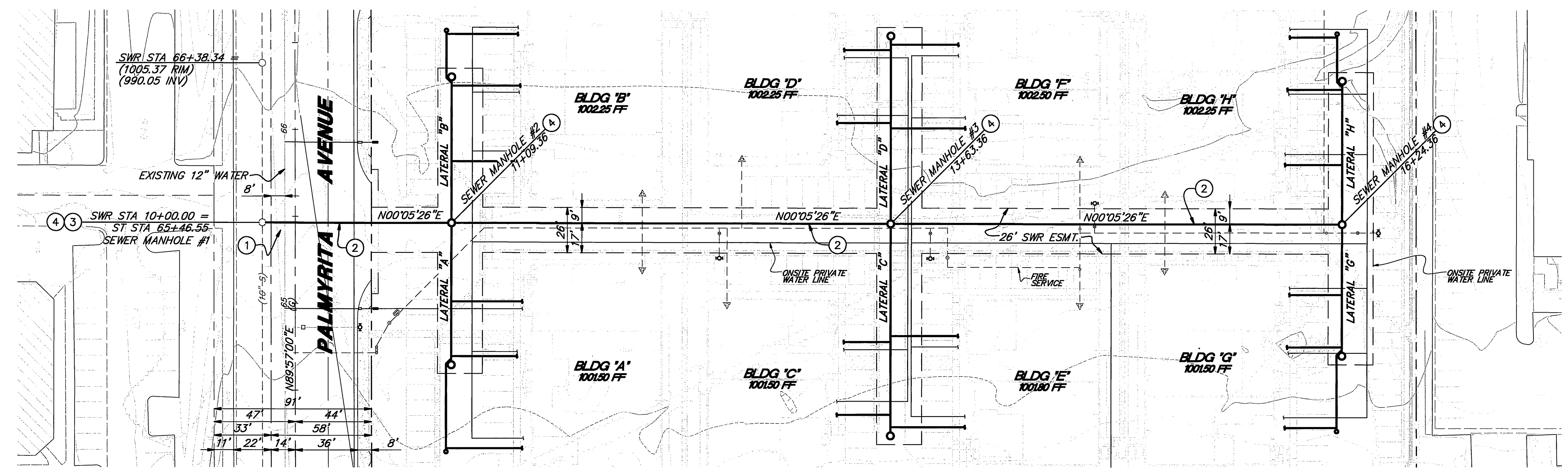
WDID#	8 33C334610	PW05-0506
SEWER IMPROVEMENT PLANS HUNTER PARK - PALMYRITA INDUSTRIAL COMPLEX TITLE SHEET		5-1936
D.R.: P04-1464 & I.S.: P05-0043	SHEET 1 OF 3	
HORIZ. SCALE: N/A	VERT. SCALE: N/A	FILE NO. 61702.10

INDEXED 11-03-05 4H





PROFILE  
 HORZ 1"=40'  
 VERT 1"=4'



**ONSITE PUBLIC SEWER  
 HUNTER PARK INDUSTRIAL COMPLEX**

**SEWER CONSTRUCTION NOTES**

- 1 CONSTRUCT TRENCH BACKFILL AND REPAIR PER CITY OF RIVERSIDE STD. DWG. NO. 453
- 2 INSTALL 8" VCP SEWER MAIN
- 3 INSTALL 10"x8" SEWER SADDLE
- 4 CONSTRUCT PRECAST CONCRETE SEWER MANHOLE PER CITY OF RIVERSIDE STD. DWG. NO. 500
- 5 INSTALL 4" VCP SEWER LATERAL
- 6 INSTALL SEWER CLEANOUT PER CITY OF RIVERSIDE STD. DWG. NO. 560

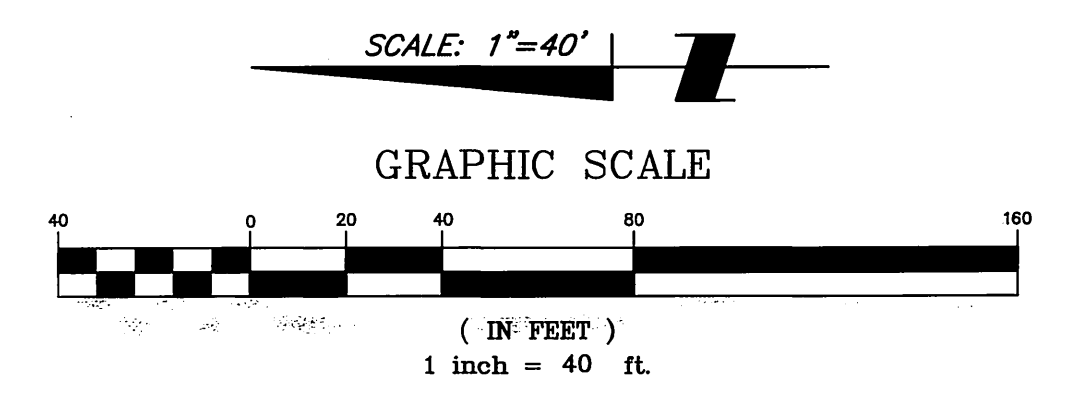
SEWER STATION	LATERAL ELEVATION	TABLE AS-BUILT ELEVATION
11+09.36	988.26	
13+63.36	989.61	
16+24.36	992.28	

SEE PRIVATE ON-SITE SEWER & WATER PLANS FOR CONSTRUCTION OF PRIVATE IMPROVEMENTS

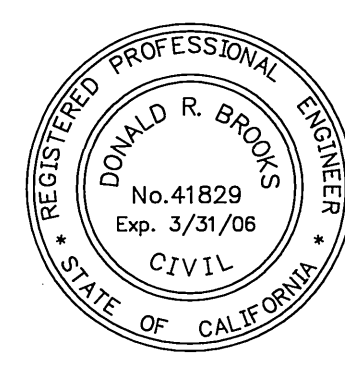
**REFERENCE PLANS**

S-1701  
 S-1431

**FIRE SYSTEM DESIGN**  
 GENERAL UNDERGROUND FIRE PROTECTION, INC.  
 3910 EAST CORONADO ST., SUITE 202  
 ANAHEIM, CA 92807  
 (714) 632-8646 (714) 632-0579 FAX  
 INDICATED HEREIN FOR REFERENCE ONLY



Underground Service Alert  
 Call: TOLL FREE  
 1-800  
 227-2600  
 TWO WORKING DAYS BEFORE YOU DIG



**SB&O INC.**  
 PLANNING ENGINEERING SURVEYING  
 1035 South Milliken Ave, Ste E  
 Ontario, CA 91761  
 P: (909) 635-0335  
 F: (909) 635-0365  
 www.sboinc.com  
 Don Brooks, R.C.E. 41829 Exp. 3/31/06  
 DATE 9/28/05  
 CITY OF RIVERSIDE - BUSINESS TAX CERTIFICATE - NO. 119398, EXP. 2/24/06

**JB-D3 BENCHMARK**  
 LEAD AND TACK IN THE TOP OF CURB 3.5' N'LY OF THE BCR OF THE N.W. CURB RETURN, PALMYRITA AND IOWA INTERSECTION.  
 ELEVATION: 918.908

MARK	REVISIONS	APPR.	DATE

DESIGNED BY \_\_\_\_\_ DRAWN BY JIT CHECKED BY DP

**CITY OF RIVERSIDE, CALIFORNIA  
 PUBLIC WORKS DEPARTMENT**

APPROVED BY	BY	DATE	APPROVED BY
PRINCIPAL ENGINEER	<u>[Signature]</u>	<u>9/28/05</u>	<u>[Signature]</u>
TRAFFIC ENGINEER			
STREET SERVICES	<u>[Signature]</u>	<u>9/28/05</u>	

DATE 10/20/05

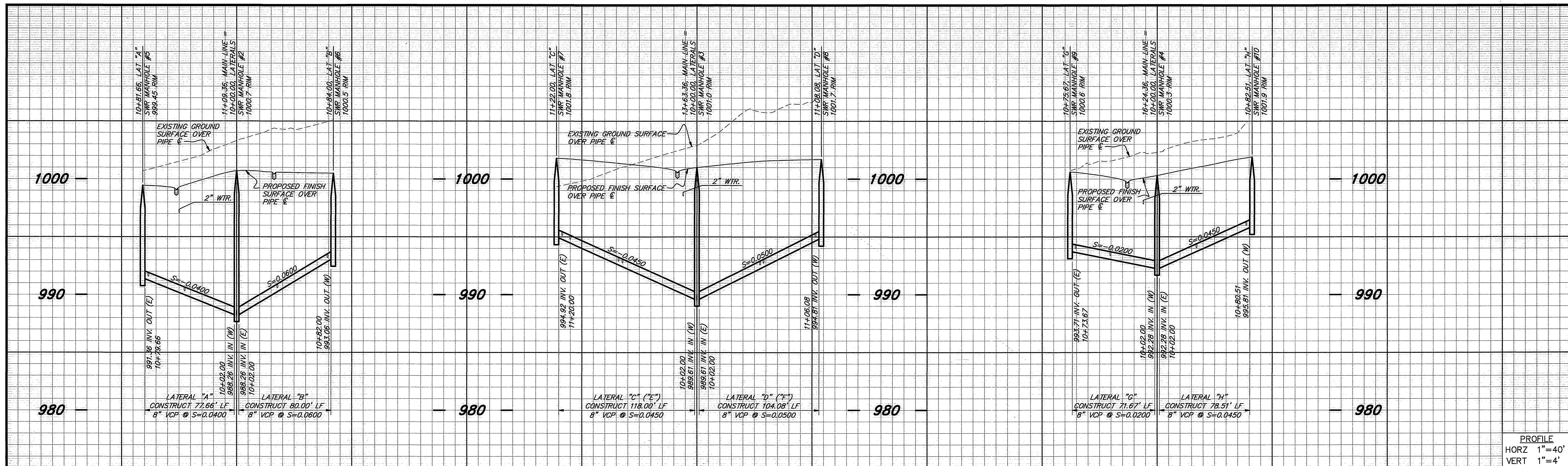
WDID# 8 33C334610	PW05-0506
SEWER IMPROVEMENT PLANS HUNTER PARK - PALMYRITA INDUSTRIAL COMPLEX PALMYRITA PLAN AND PROFILE	S-1936
D.R.: P04-1464 & I.S.: P05-0043	SHEET 2 OF 3
HORIZ. SCALE: 40'	FILE NO. 61702.10

RVZ

INDEXED 11-03-05 fH

D:\161702.DWG\161702SS02.DWG WED 09/28/2005 14:23:43

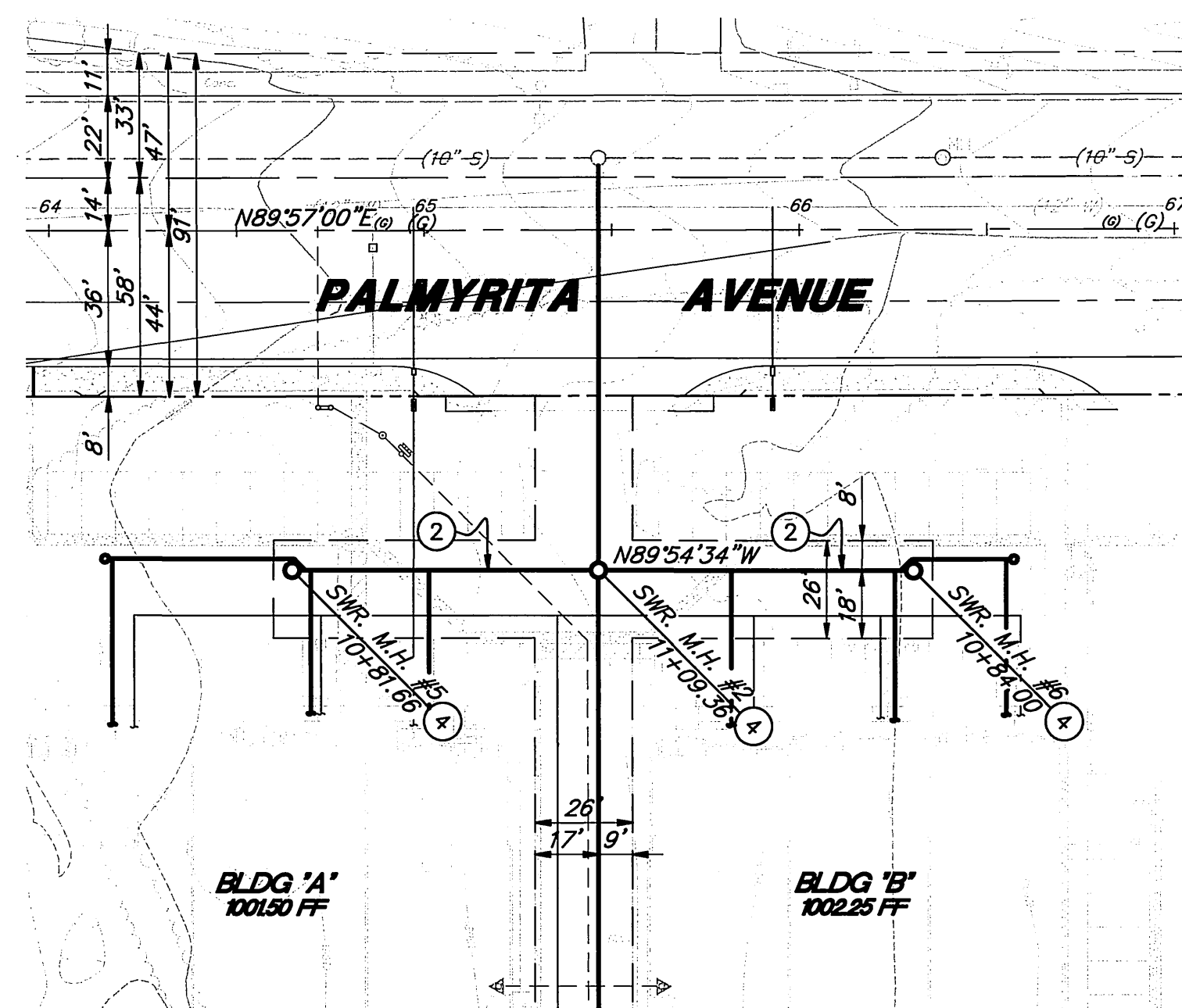




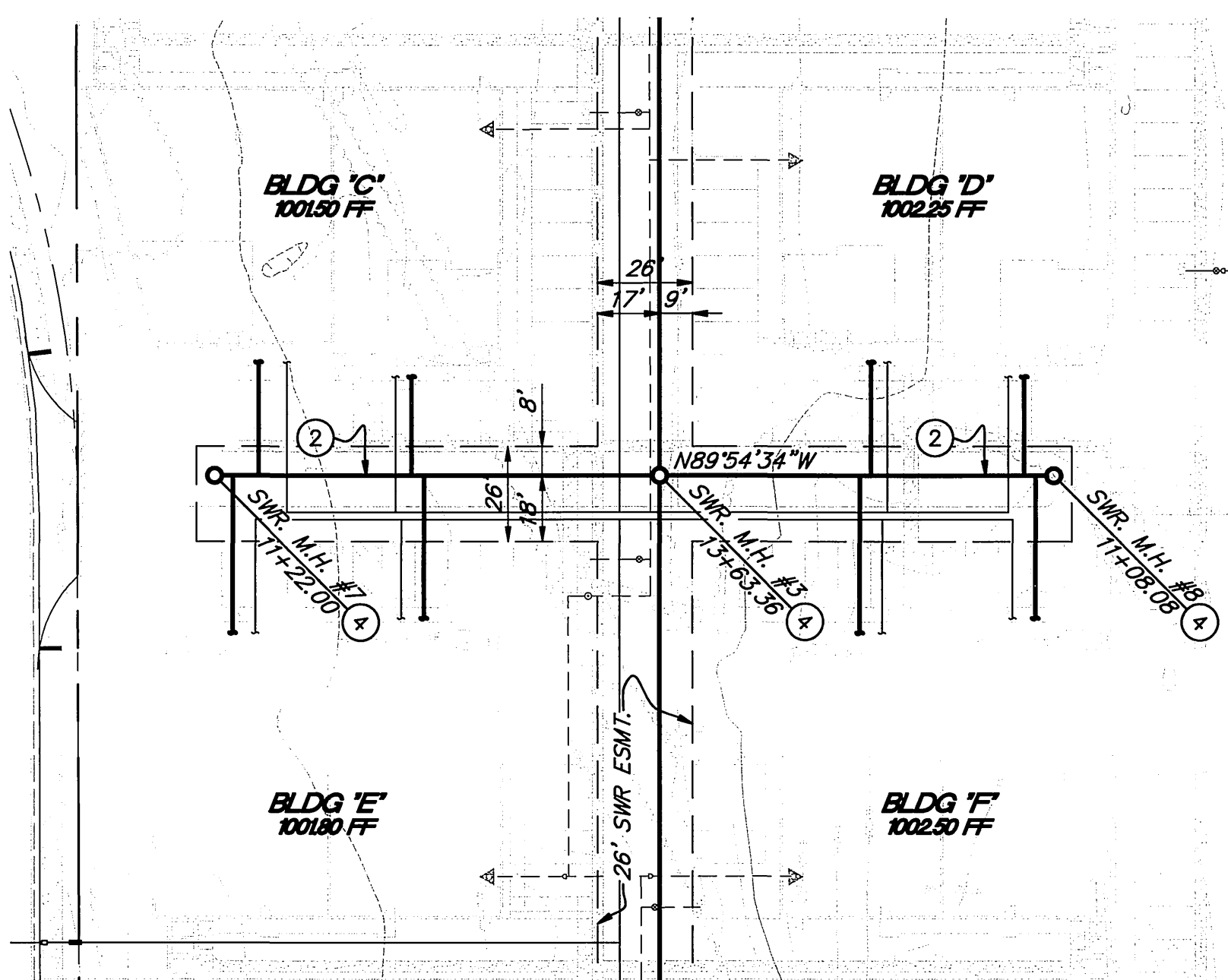
PROFILE  
 HORZ 1"=40'  
 VERT 1"=4'

**PROFILE ~ PALMYRITA AVENUE**

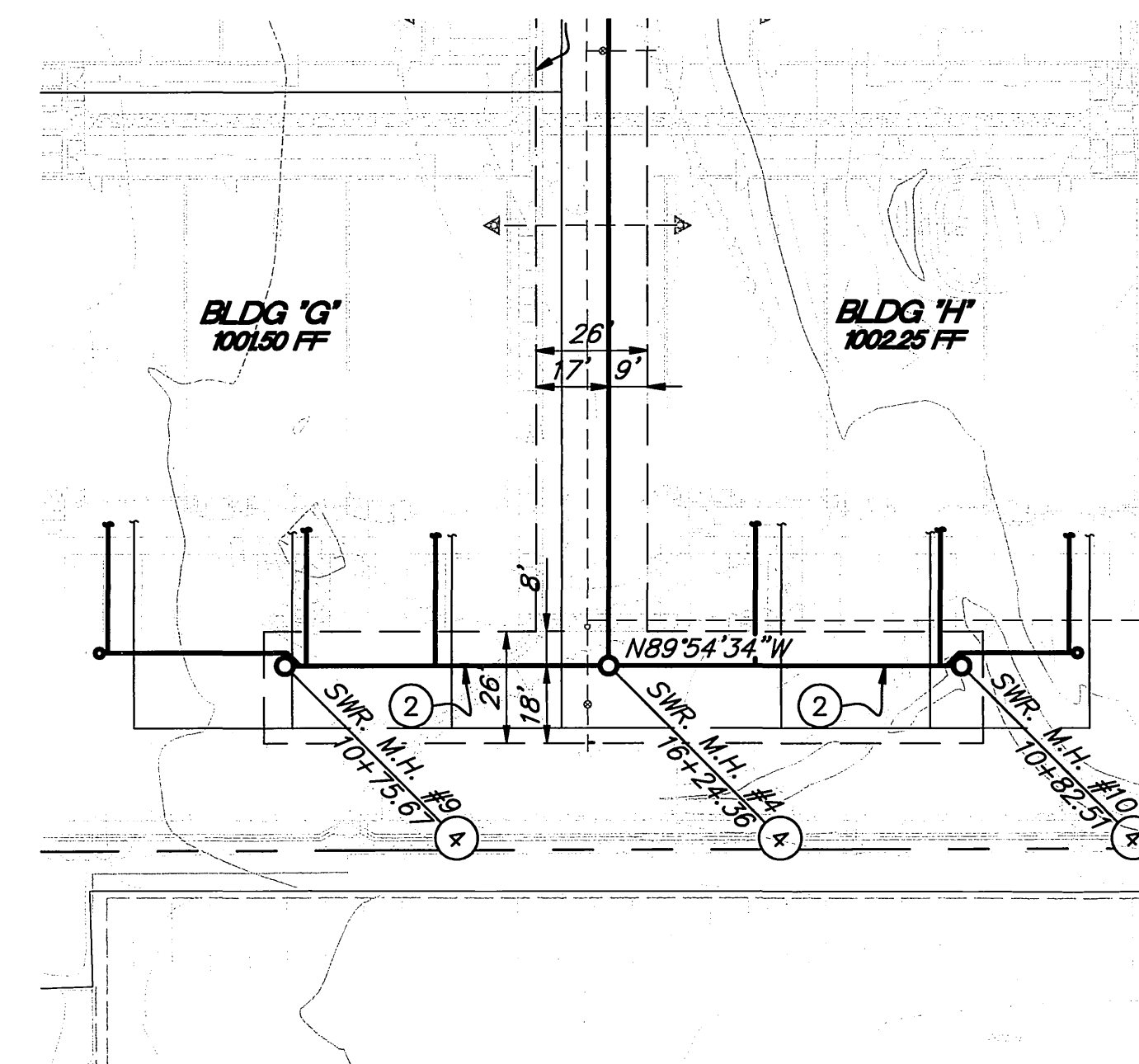
SCALES: 1"=40'(H); 1"=4'(V)



**LATERAL A & B**



**LATERAL C & D (E & F)**



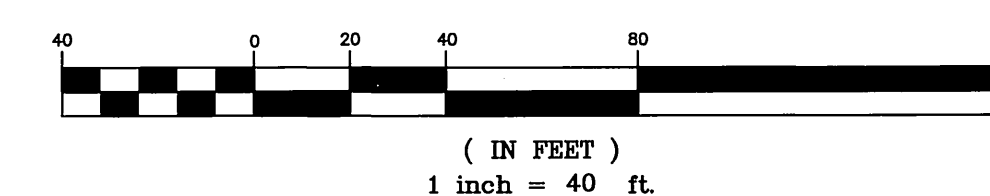
**LATERAL G & H**

**SEWER CONSTRUCTION NOTES**

- 1 CONSTRUCT TRENCH BACKFILL AND REPAIR PER CITY OF RIVERSIDE STD. DWG. NO. 453
- 2 INSTALL 8" VCP SEWER MAIN
- 3 INSTALL 10"x8" SEWER SADDLE
- 4 CONSTRUCT PRECAST CONCRETE SEWER MANHOLE PER CITY OF RIVERSIDE STD. DWG. NO. 500
- 5 INSTALL 4" VCP SEWER LATERAL
- 6 INSTALL SEWER CLEANOUT PER CITY OF RIVERSIDE STD. DWG. NO. 560

LATERAL	STATION	ELEVATION	AS-BUILT ELEVATION
"A"	10+45.16	989.98	
"A"	10+76.66	991.24	
"A"	10+78.16	991.30	
"B"	10+35.42	990.26	
"B"	10+79.00	992.88	
"B"	10+80.50	992.97	
"C"	10+68.00	992.58	
"C"	11+09.95	994.46	
"E"	10+64.55	992.42	
"E"	11+17.00	994.78	
"D"	10+58.00	992.41	
"D"	11+00.00	994.51	
"F"	10+54.94	992.25	
"F"	11+03.08	994.66	
"G"	10+40.50	993.05	
"G"	10+70.67	993.65	
"G"	10+72.17	993.08	
"H"	10+34.27	993.73	
"H"	10+77.52	995.68	
"H"	10+79.02	995.74	

**GRAPHIC SCALE**

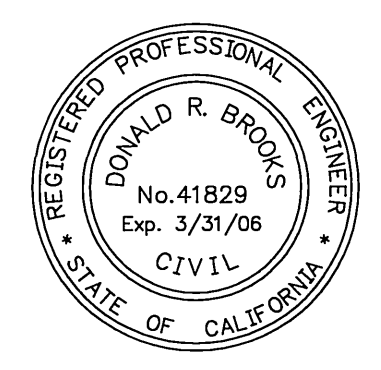


SCALE: 1"=40'

SEE PRIVATE ON-SITE SEWER & WATER PLANS FOR CONSTRUCTION OF PRIVATE IMPROVEMENTS

**FIRE SYSTEM DESIGN**  
 GENERAL UNDERGROUND FIRE PROTECTION, INC.  
 3910 EAST CORONADO ST., SUITE 202  
 ANAHEIM, CA 92807  
 (714) 632-8646 (714) 632-0579 FAX  
 INDICATED HEREIN FOR REFERENCE ONLY

Underground Service Alert  
 Call: TOLL FREE  
 1-800  
 227-2600  
 TWO WORKING DAYS BEFORE YOU DIG



**SB&O INC.**  
 PLANNING ENGINEERING SURVEYING  
 1035 South Milliken Ave, Ste E  
 Ontario, CA 91761  
 P: (909) 635-0385  
 F: (909) 635-0365  
 www.sboinc.com

*Don Brooks*  
 DON BROOKS, R.C.E. 41829 EXP. 3/31/06  
 DATE 4/20/05  
 CITY OF RIVERSIDE - BUSINESS TAX CERTIFICATE - NO. 119398, EXP. 2/24/06

**J8-D3 BENCHMARK**  
 LEAD AND TACK IN THE TOP OF CURB 3.5' NLY OF THE BCR OF THE N.W. CURB RETURN, PALMYRITA AND IOWA INTERSECTION.  
 ELEVATION: 918.908

MARK	REVISIONS	APPR.	DATE

**CITY OF RIVERSIDE, CALIFORNIA  
 PUBLIC WORKS DEPARTMENT**

APPROVED BY: [Signature]  
 BY: [Signature]  
 DATE: 4/20/05  
 CITY ENGINEER

WDID# 8 33C334610 PW05-0506

**SEWER IMPROVEMENT PLANS  
 HUNTER PARK - PALMYRITA  
 INDUSTRIAL COMPLEX  
 PALMYRITA PLAN AND PROFILE**

D.R.: P04-1484 & I.S.: P05-0043

SHEET 3 OF 3

HORIZ. SCALE: 40' VERT. SCALE: 4' FILE NO. 61702.10

D:\161702.DWG\161702SS03.DWG WED 09/28/2005 14:25:06