

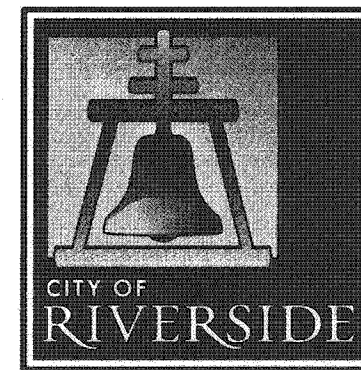
GENERAL NOTES:

- 1 EXISTING UTILITIES SHOWN ON THE PLAN ARE PLOTTED FROM UTILITY RECORDS. THE CONTRACTOR IS REQUIRED TO TAKE DUE PRECAUTIONARY MEASURES TO LOCATE AND PROTECT ALL UTILITIES WHETHER OR NOT SHOWN ON THIS PLAN.
- 2 PRIME CONTRACTORS BIDDING THIS WORK SHALL HAVE A CLASS "A", "C-34", OR A "C-42" LICENSE.
- 3 ALL ELEVATIONS SHOWN ON THE PLANS SHALL BE STAKED IN THE FIELD.
- 4 ANY WORK THAT WILL CAUSE DAMAGE TO THE DETECTOR LOOPS SHALL NOT BE PERFORMED UNTIL TRAFFIC SIGNAL MAINTENANCE PERSONNEL HAVE BEEN NOTIFIED AND THE NECESSARY TIMING ADJUSTMENTS ARE MADE TO MAINTAIN SIGNAL OPERATION.
- 5 CONSTRUCTION SHALL BE IN ACCORDANCE WITH THE CITY OF RIVERSIDE STANDARD DRAWINGS AND STANDARD SPECIFICATIONS FOR PUBLIC WORKS CONSTRUCTION, 2006 EDITION.
- 6 TRENCHES SHALL BE EITHER BACKFILLED AND COMPACTED PER STD. DWG. 453 OR COVERED WITH TRAFFIC RATED STEEL PLATES AT THE END OF EACH WORK DAY.
- 7 WATER VALVES ENCOUNTERED DURING PIPELINE CONSTRUCTION OR DURING RESTORATION OF SURFACE IMPROVEMENTS SHALL BE PROTECTED IN PLACE, RESTORED TO PRECONSTRUCTION CONDITION AND/OR ADJUSTED TO GRADE BY THE CONTRACTOR.
- 8 PIPE BEDDING SHALL BE PER STD. DWG. 452 AND SHALL BE CASE 1 UNLESS SPECIFIED OTHERWISE ON THE PLANS.
- 9 CONTRACTOR SHALL REPLACE ALL TRAFFIC DETECTOR LOOPS AFFECTED BY CONSTRUCTION.
- 10 CONTRACTOR SHALL RELOCATE ALL TRAFFIC SIGNS REMOVED DUE TO CONSTRUCTION, PER CITY STANDARDS.

CONSTRUCTION LEGEND:

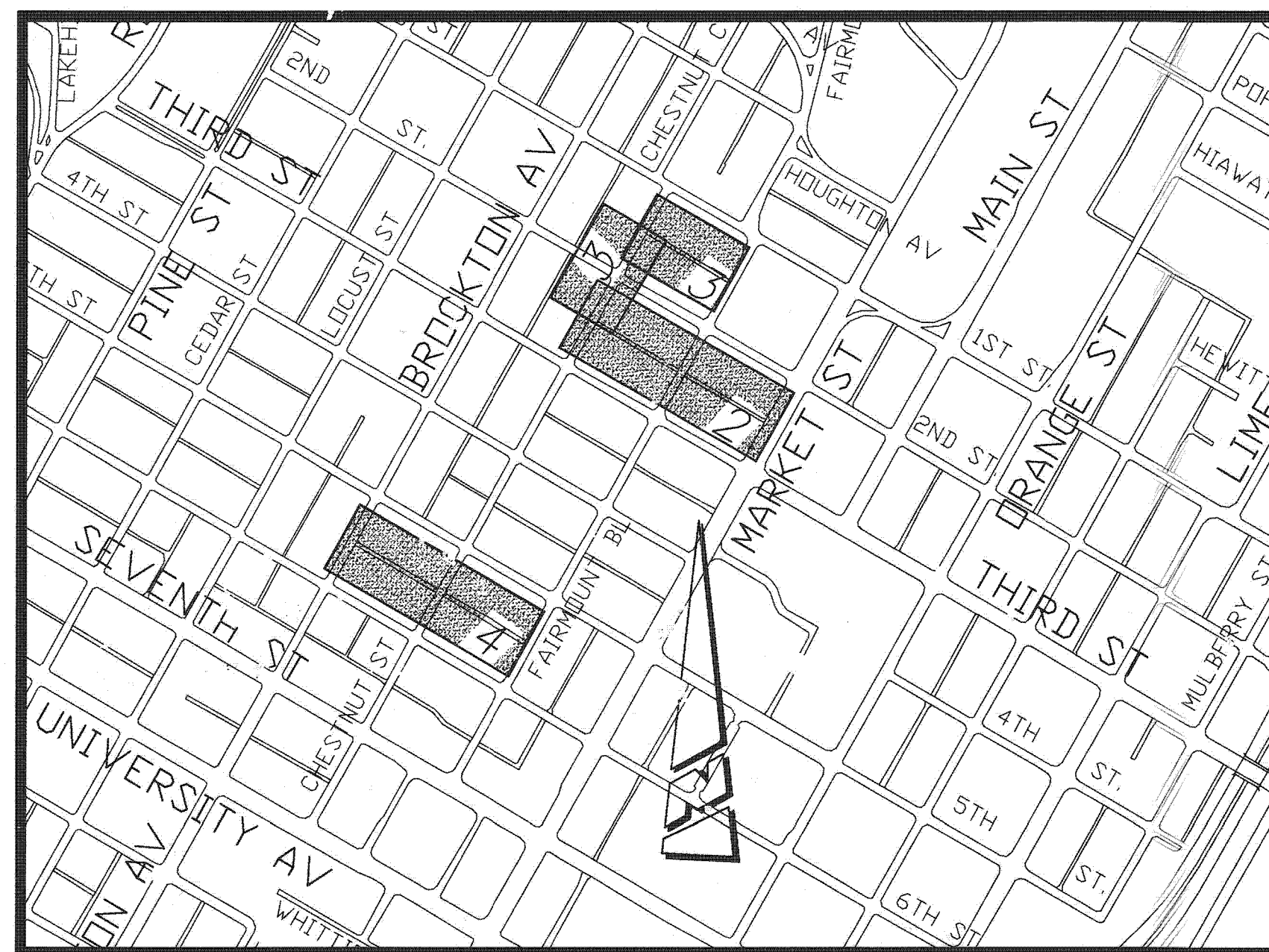
- NUMBERS ABOVE 100 IN A HEXAGON ON THE PLAN REFER TO THE RESPECTIVE STANDARD DRAWING AND SHALL BE CONSTRUCTED ACCORDINGLY, UNLESS MODIFICATIONS ARE NOTED ON THE PLAN. ANY NUMBER SHOWN BELOW THE STANDARD DRAWING NUMBER INDICATES THE SPECIFIC ALTERNATE TO BE CONSTRUCTED.
- 500/48 REMOVE EXIST. MANHOLE, INCLUDING BASE AND CONST. 48" MANHOLE PER STD DWG 500.
- 200/7 REMOVE AND REPLACE EXISTING CURB AND GUTTER, 6" CF.
- 302 REMOVE AND REPLACE EXIST DRIVEWAY APPROACH PER STD. DWG. 302, TYPE CURB-1.
- 1 RECONNECT EXISTING SEWER LATERAL PER STD. DWG. 562. QUANTITIES AND LOCATIONS OF EXISTING LATERALS SHOWN ON THE PLAN ARE TAKEN FROM UTILITY RECORDS. THE CONTRACTOR SHALL VERIFY THE NUMBER AND LOCATION OF CONNECTED LATERALS WITH THE "PRE-BURSTING" INSPECTION VIDEO.

RIVERSIDE CALIFORNIA



PUBLIC WORKS DEPARTMENT DOWNTOWN SEWER MAIN REPLACEMENT BY PIPE BURSTING METHOD

IN CHESTNUT & E'LY IN ALLEYS
BETWEEN 1st ST. AND 3rd ST.
IN ALLEY BETWEEN 5th ST. & 6th ST.
FROM BROCKTON AVE. TO MARKET ST.



PROJECT LOCATION MAP
N.T.S.

SHEET INDEX:

SHEET NO.	DESCRIPTION
1	TITLE SHEET
2	SEWER MAIN IN ALLEY FROM CHESTNUT ST. TO MARKET ST. BETWEEN 2nd ST. AND 3rd ST.
3	SEWER MAIN IN CHESTNUT STREET FROM 196.5' S'LY TO 198' N'LY OF 2nd ST. AND IN ALLEY FROM CHESTNUT ST. TO FAIRMOUNT BLVD. BETWEEN 1st ST. AND 2nd ST.
4	SEWER MAIN IN ALLEY FROM BROCKTON AVE. TO FAIRMOUNT BLVD. BETWEEN 5th ST. AND 6th ST.

EXISTING UNDERGROUND UTILITIES:

SANITARY SEWER 28" S	TELEPHONE CONDUIT
WATER LINE 6" W	ELECTRICAL CONDUIT E
STORM DRAIN 24" SD	ELECTROLIER LIGHTING CONDUIT ELC
GAS LINE 3" G	TRAFFIC SIGNAL SIG
ABANDONED UTILITY 6" G (ABAND'D.)	FIRE ALARM
	CABLE TELEVISION CATV

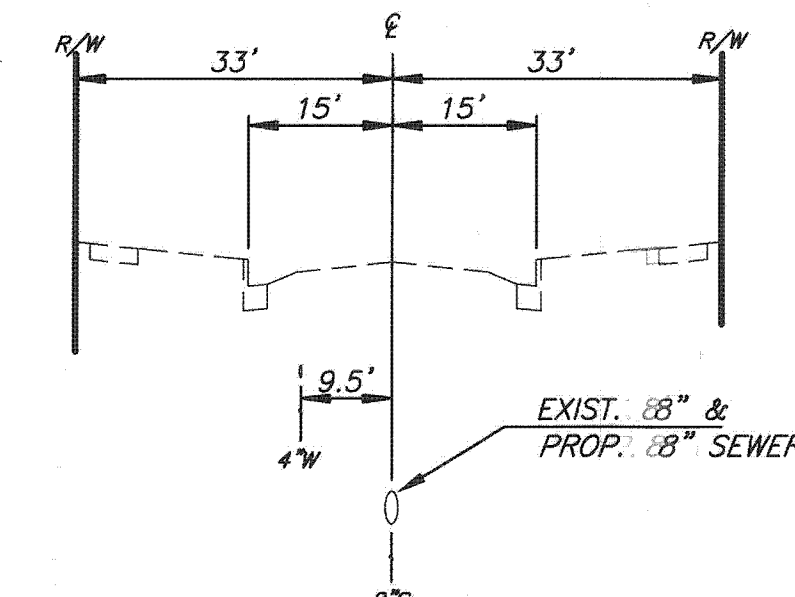
EXISTING TOPOGRAPHY:

- BLOCK WALL
- BOARD FENCE
- WIRE FENCE
- CHAIN LINK FENCE

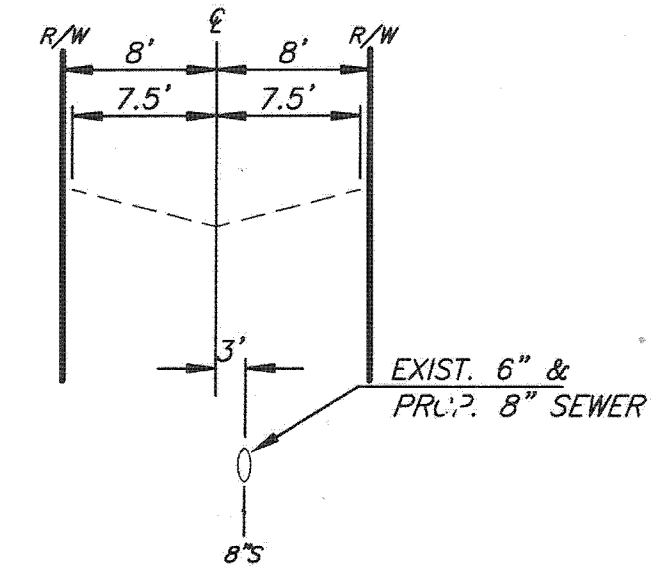
TOP OF SLOPE
 TOE OF SLOPE
 DIRECTION OF FLOW

<ul style="list-style-type: none"> 5 SANITARY SEWER M.H. 6 SANITARY SEWER CLEANOUT 7 STORM DRAIN M.H. 8 IRRIGATION WEIR 9 WATER M.H. 10 GAS M.H. 11 ELECTRIC M.H. 12 TELEPHONE M.H. 13 WATER METER 14 FIRE HYDRANT 15 SPRINKLER HEAD 16 VALVE 17 AIR VALVE 18 AIR VENT 19 BUS STOP SIGN 20 BLOW-OFF VALVE 21 IRRIGATION STAND PIPE 	<ul style="list-style-type: none"> POLE & GUY ANCHOR POWER POLE TELEPHONE POLE TELEPHONE RISER JOINT USE POLE PULL BOX TRAFFIC SIGN TRAFFIC SIGN PARKING METER FIRE ALARM BOX STREET NAME SIGN GAS METER MAIL BOX FAUCET WALK-DON'T WALK PEDESTRIAN SIGNAL ELECTRICAL TEST STATION WHEEL STOP A.C. BERM 	<ul style="list-style-type: none"> PEDESTRIAN PUSH BUTTON RAILROAD TRACKS RAILROAD SIGN RAILROAD SIGNAL TRAFFIC SIGNAL TRAFFIC SIGNAL ON MAST ARM TRAFFIC SIGNAL CONTROLLER TRAFFIC SIGNAL PRESSURE DETECTOR TRAFFIC SIGNAL LOOP DETECTOR STREET LIGHT & TRAFFIC SIGNAL ON MAST ARM STREET LIGHT (UPRIGHT) STREET LIGHT ON MAST ARM STEEL POST WOOD POST
---	---	--

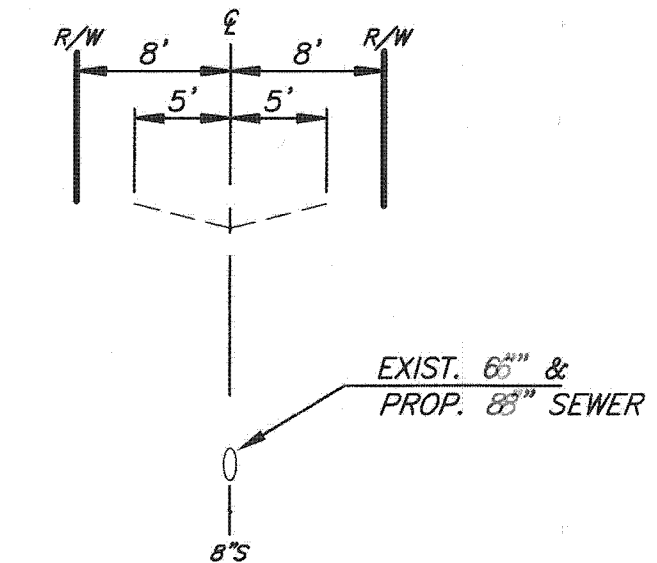
CONCRETE
 ASPHALT
 BUILDING
 EDGE OF PAVEMENT



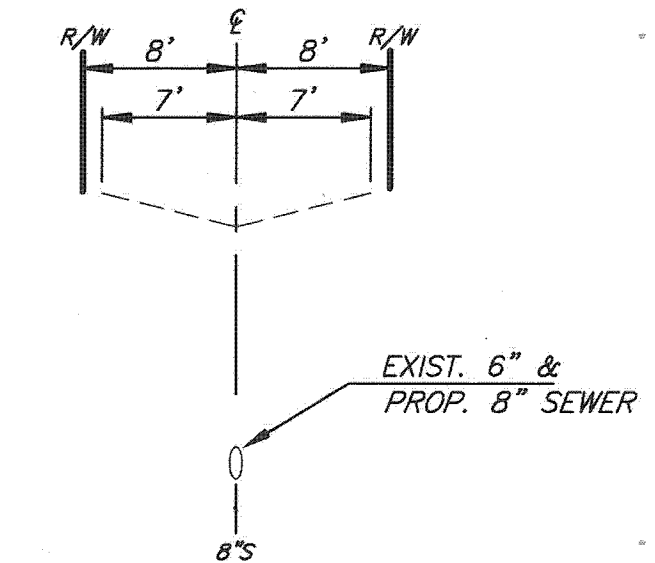
**TYPICAL SECTION CHESTNUT STREET
BETWEEN 1st ST. AND 3rd ST.**
N.T.S.



**ALLEY SECTION FROM CHESTNUT ST. TO
FAIRMOUNT BLVD. BETWEEN 1st ST. AND 2nd ST.**
N.T.S.



**ALLEY SECTION FROM CHESTNUT ST. TO
MARKET ST. BETWEEN 2nd ST. AND 3rd ST.**
N.T.S.



**ALLEY SECTION FROM BROCKTON AVE. TO
FAIRMOUNT BLVD. BETWEEN 5th ST. AND 6th ST.**
N.T.S.

BENCHMARK
P.K. NAIL AND CITY ENGINEER TAG IN THE BACK OF A CATCH BASIN ALONG THE W'LY CURB OF ORANGE ST. AT THE SW'LY CORNER OF ORANGE ST. & THIRD ST.
ELEVATION 852.637'

Underground Service Alert
CALL BEFORE YOU DIG
CALL: TOLL FREE
1-800
227-2600
TWO WORKING DAYS BEFORE YOU DIG

ENGINEER IN RESPONSIBLE CHARGE
LONNY LEW YOUNG
R.C.E. No. 43216 expires 3/31/10
DATE 08/11/2008

MARK	REVISIONS	APPR.	DATE

CITY OF RIVERSIDE, CALIFORNIA
PUBLIC WORKS DEPARTMENT

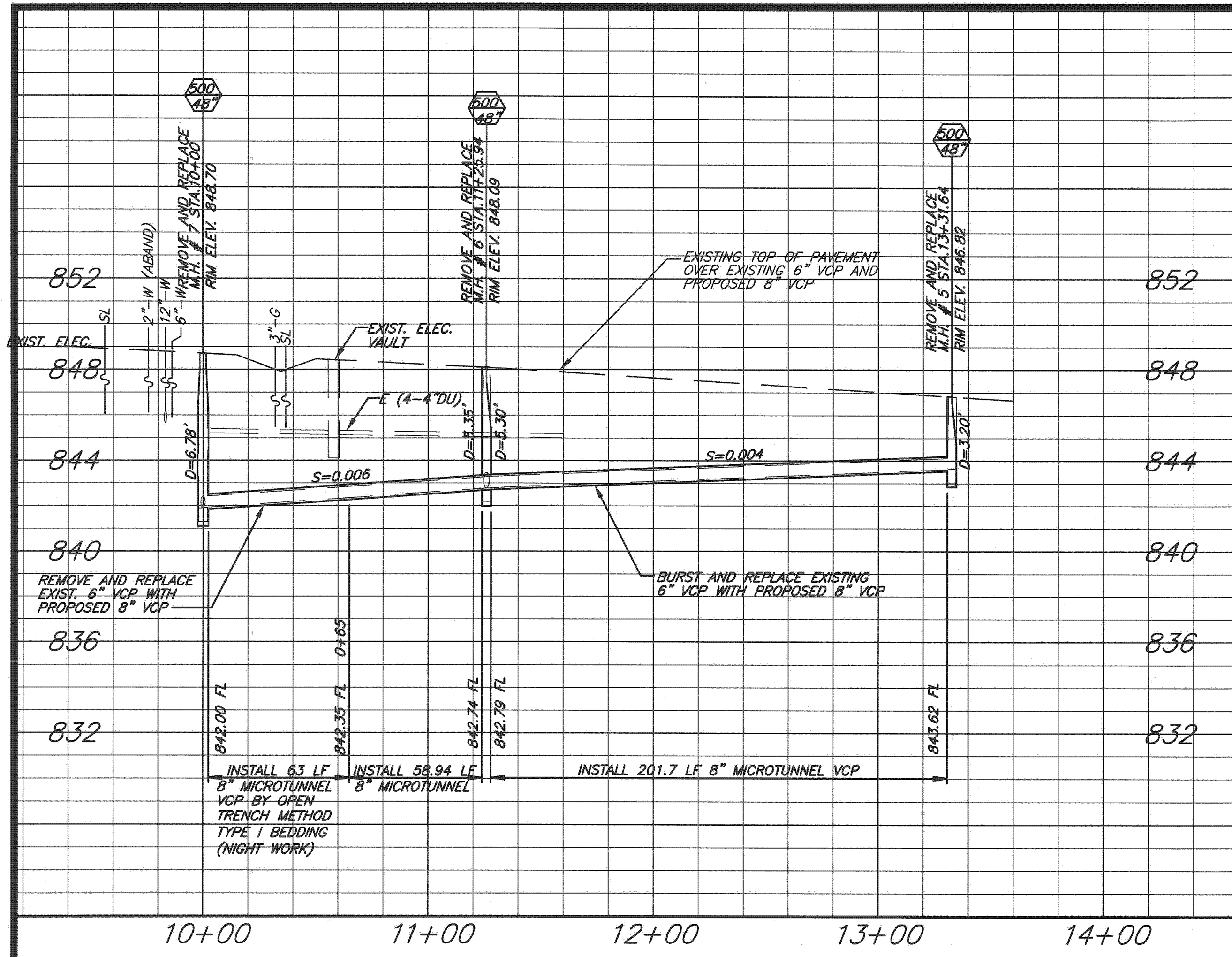
APPROVED BY	BY	DATE	APPROVED BY
PRINCIPAL ENGINEER	[Signature]	8/11/08	CITY ENGINEER
SURVEYOR	[Signature]	8/11/08	
INSPECTION	[Signature]	8/11/08	

DESIGNED BY: LYMIA DRAWN BY: LYMIA CHECKED BY:

**DOWNTOWN SEWER MAIN
REPLACEMENT BY
PIPE BURSTING METHOD**

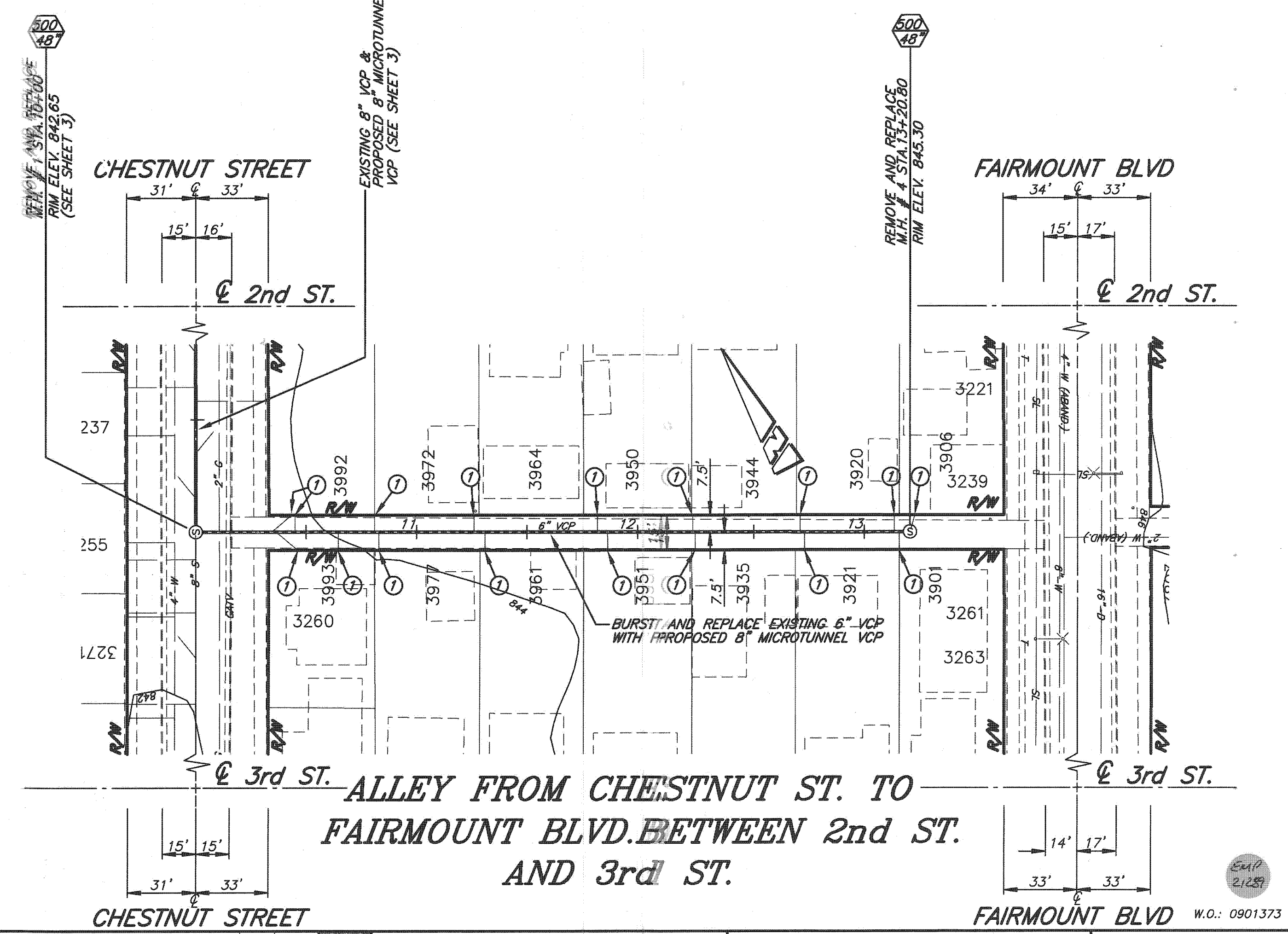
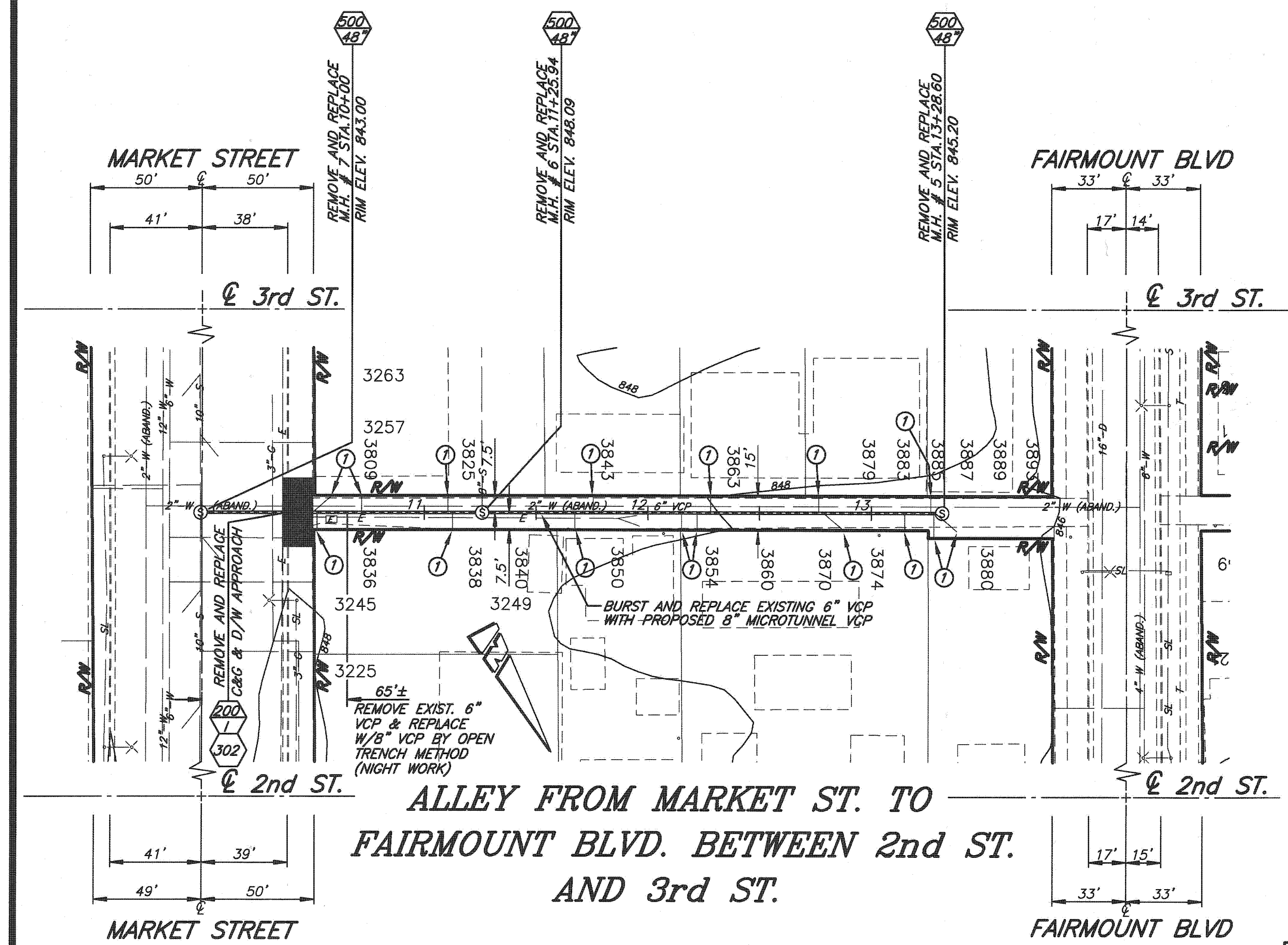
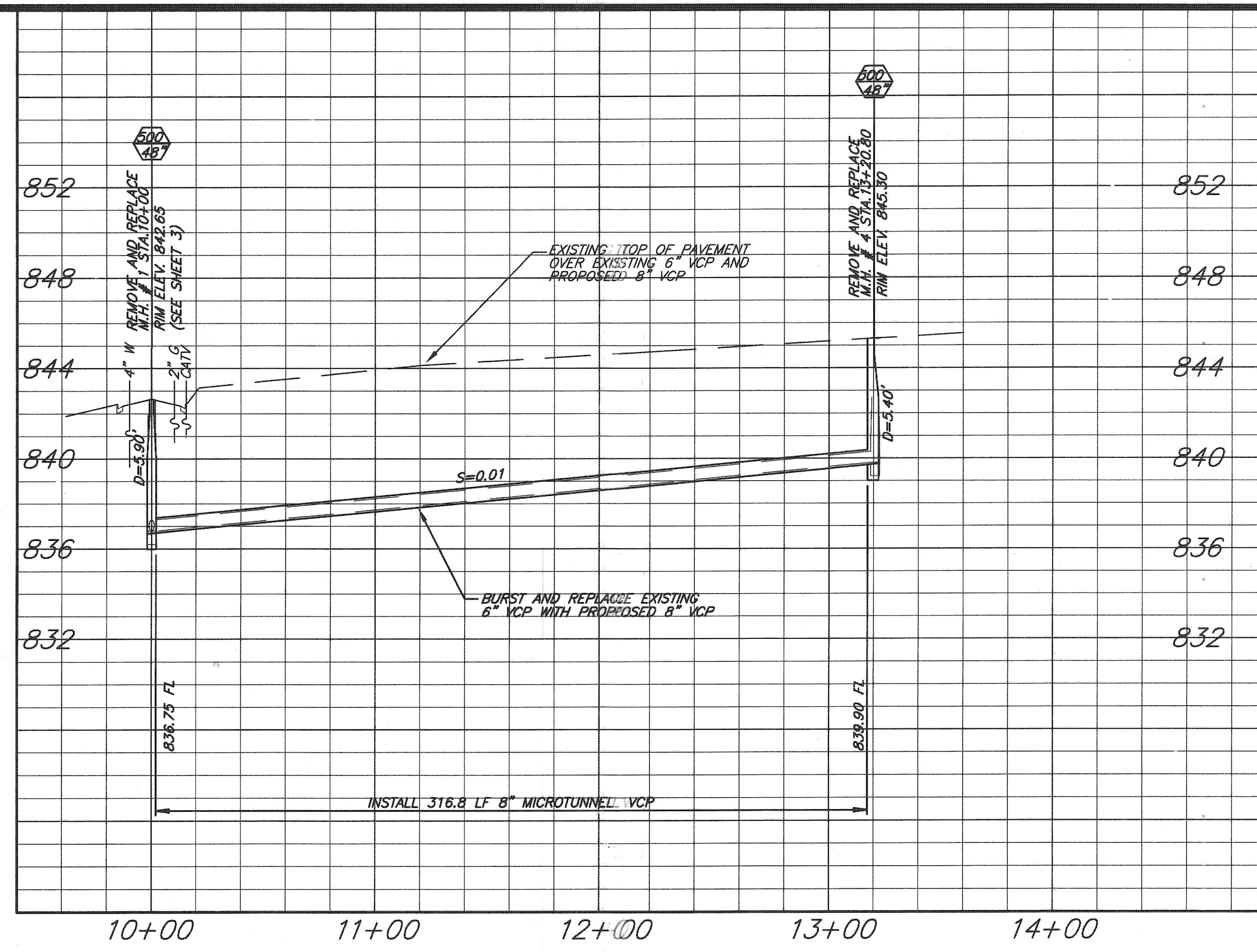
SCALE: AS SHOWN

0901373
ACCT. NO.: 982623203-440301xx
S-2031
SHEET 1 OF 4
FILE NO.



BENCHMARK
 P.K. NAIL AND CITY ENGINEER TAG IN THE BACK OF A CATCH BASIN ALONG THE W'LY CURB OF ORANGE ST. AT THE SW'LY CORNER OF ORANGE ST. & THIRD ST.
 ELEVATION 852.637'

Underground Service Alert
 CALL BEFORE YOU DIG
 CALL: TOLL FREE 1-800-227-2600
 TWO WORKING DAYS BEFORE YOU DIG



ENGINEER IN RESPONSIBLE CHARGE
 LONNY LEW YOUNG
 R.C.E. No. 43216, expires 3/31/10
 DATE 02/11/2008

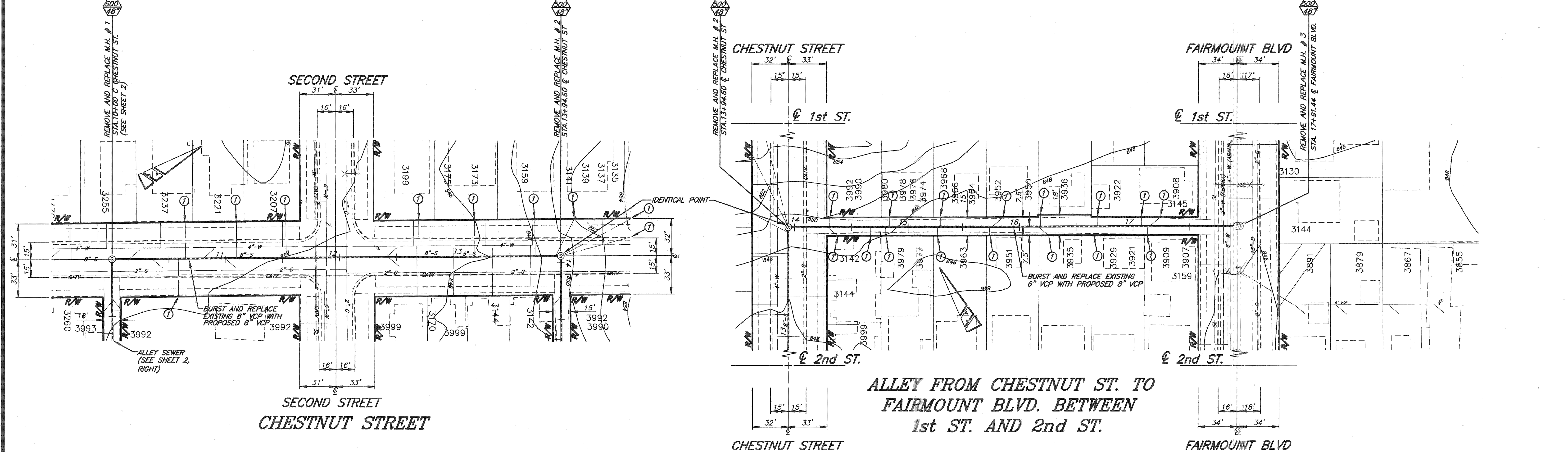
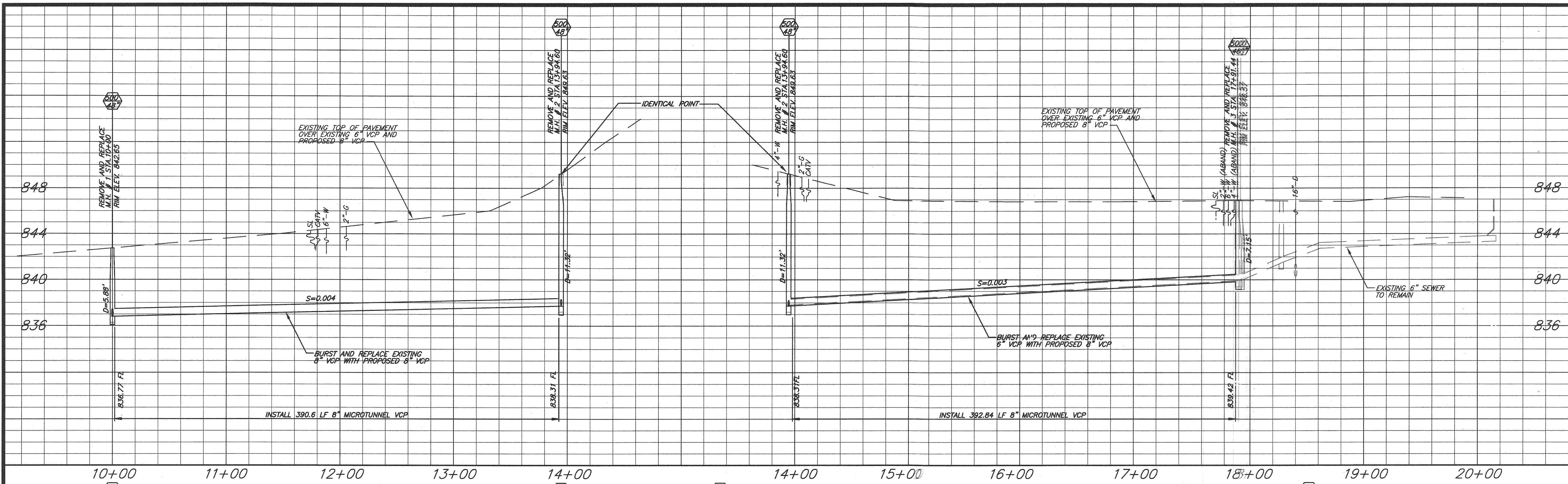
DESIGNED BY: LYM		DRAWN BY: LFM		CHECKED BY:	
APPROVED BY: [Signature]		DATE: 8/11/08		CITY ENGINEER	
APPROVED BY: [Signature]		DATE: 8-7-08		SURVEYOR	
APPROVED BY: [Signature]		DATE: 8-7-08		INSPECTOR	

CITY OF RIVERSIDE, CALIFORNIA
 PUBLIC WORKS DEPARTMENT

DOWNTOWN SEWER MAIN REPLACEMENT BY PIPE BURSTING METHOD IN ALLEY FROM CHESTNUT ST. TO MARKET ST. BETWEEN 2nd ST. & 3rd ST.

ACCT. No. 9782623203-440301xx
S-2031
 SHEET 2 OF 4
 FILE NO.

HORIZ. SCALE: 1" = 40'
 VERT. SCALE: 1" = 4'



BENCHMARK
 P.K. NAIL AND CITY ENGINEER TAG IN THE BACK OF A CATCH BASIN ALONG THE W'LY CURB OF ORANGE ST. AT THE SW'LY CORNER OF ORANGE ST. & THIRD ST.
 ELEVATION 852.637'

Underground Service Alert
 CALL BEFORE YOU DIG
 CALL-TOLL FREE
 1-800-227-2600
 TWO WORKING DAYS BEFORE YOU DIG

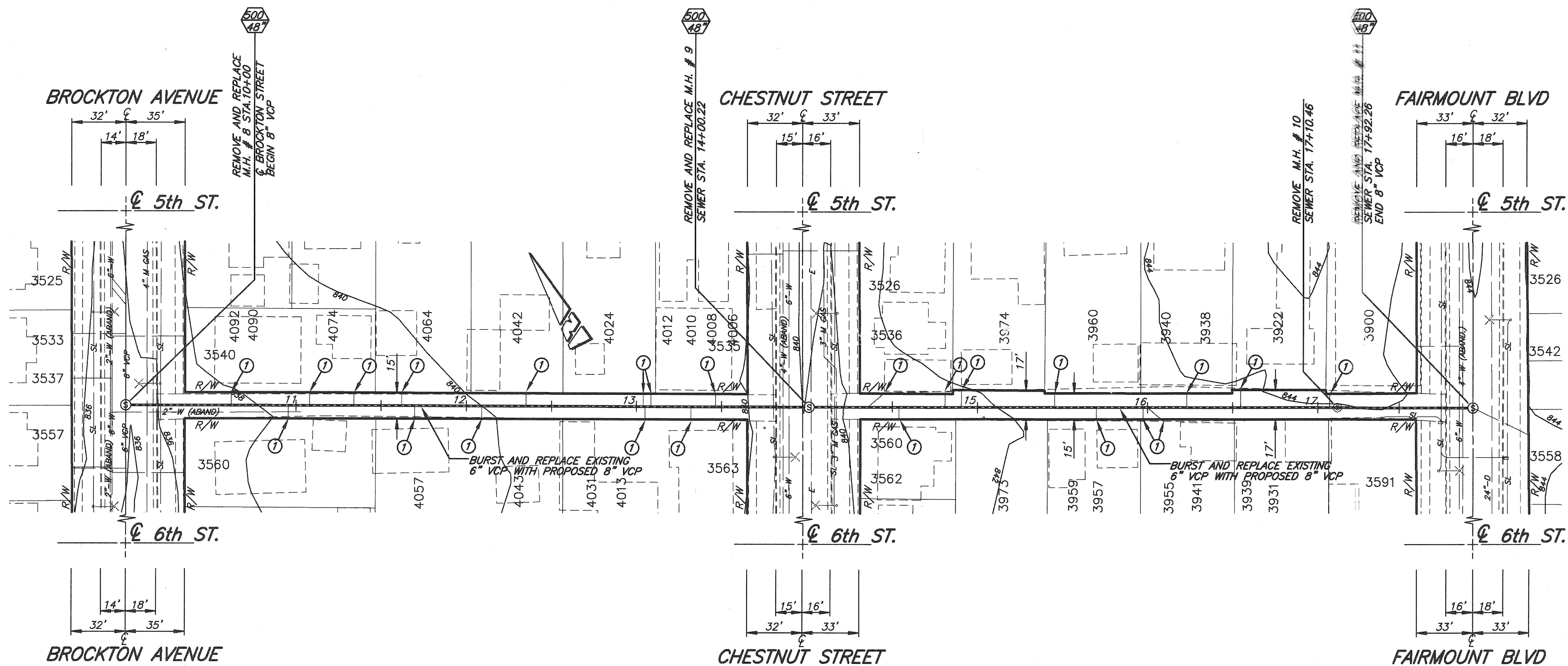
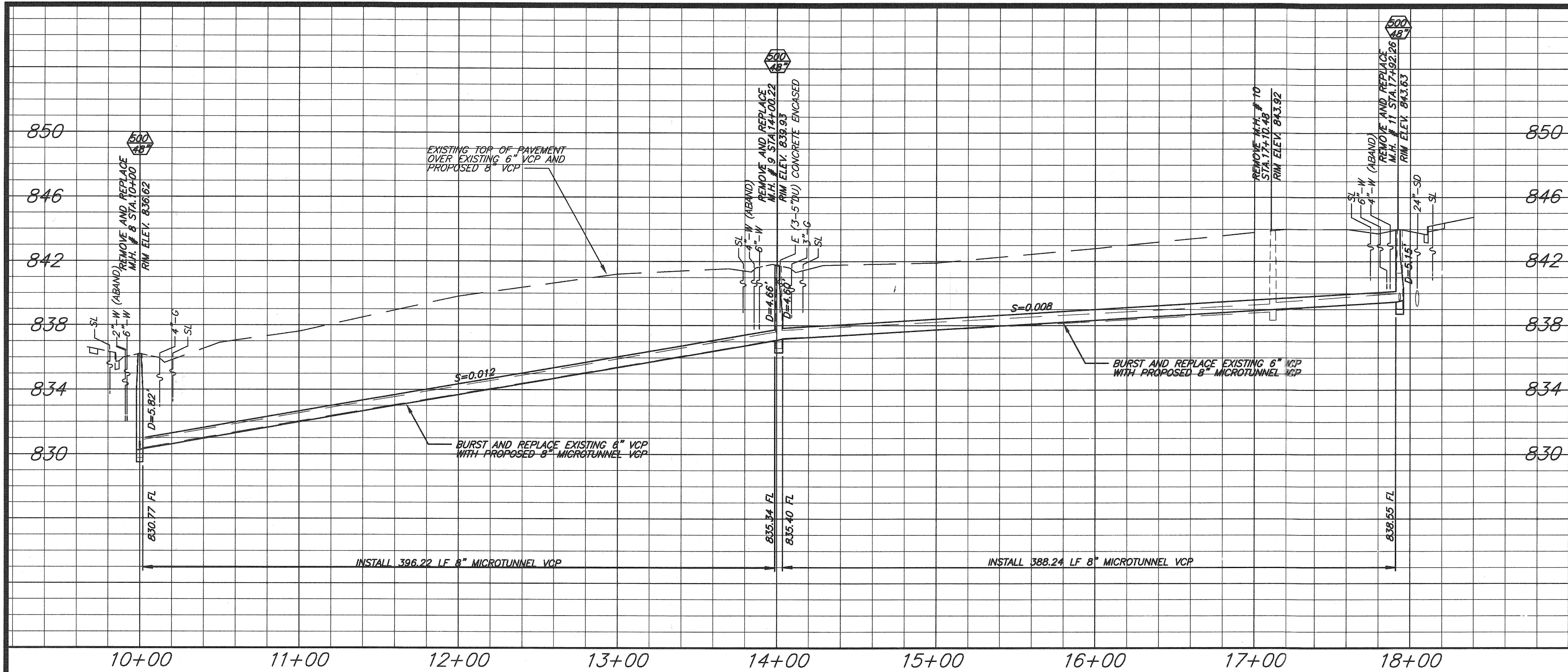
ENGINEER IN RESPONSIBLE CHARGE
 LONNY LEW YOUNG
 R.C.E. No. 33219 expires 3/31/10
 DATE 08/11/2008

DESIGNED BY: LONNY LEW YOUNG
 DRAWN BY: LFL
 CHECKED BY:

CITY OF RIVERSIDE, CALIFORNIA
PUBLIC WORKS DEPARTMENT
 APPROVED BY: [Signature]
 DATE: 8/11/08

DOWNTOWN SEWER MAIN REPLACEMENT-BY PIPE BURSTING METHOD
 CHESTNUT ST. BETWEEN 1st ST. & 2nd ST. AND ALLEY CHESTNUT ST. TO FAIRMOUNT BLVD. BETWEEN 1st ST & 2nd ST.
 HORIZ. SCALE: 1" = 40' VERT. SCALE: 1" = 4'

W.O.: 0901373
 ACCT. NO. 982623203-440301xx
S-2031
 SHEET 3 OF 4
 FILE NO.



ALLEY FROM BROCKTON AVE. TO FAIRMOUNT BLVD. BETWEEN 5th ST. AND 6th ST.

BENCHMARK

P.K. NAIL AND CITY ENGINEER TAG IN THE BACK OF A CATCH BASIN ALONG THE W'LY CURB OF ORANGE ST. AT THE SW'LY CORNER OF ORANGE ST. & THIRD ST.

ELEVATION 852.637'

Underground Service Alert

CALL BEFORE YOU DIG
CALL: TOLL FREE
1-800
227-2600
TWO WORKING DAYS BEFORE YOU DIG

ENGINEER IN RESPONSIBLE CHARGE

TONNY LEW YOUNG
R.C.E. No. 43216 expires 3/31/10
DATE 02/11/2008



MARK	REVISIONS	APPR.	DATE

CITY OF RIVERSIDE, CALIFORNIA PUBLIC WORKS DEPARTMENT		
APPROVED BY	BY	DATE
PRINCIPAL ENGINEER	[Signature]	2/11/08
SURVEYOR	[Signature]	2/11/08
INSPECTION	[Signature]	2/11/08

DOWNTOWN SEWER MAIN REPLACEMENT-BY PIPE BURSTING METHOD
ALLEY FROM BROCKTON AVE TO FAIRMOUNT BLVD. BETWEEN 5th ST. & 6th ST.

W.O.: 0901373
ACCT. NO. 9826223203-440301xx
S-2031
SHEET 4 OF 4
FILE NO.

HORIZ. SCALE: 1" = 40' VERT. SCALE: 1" = 4'