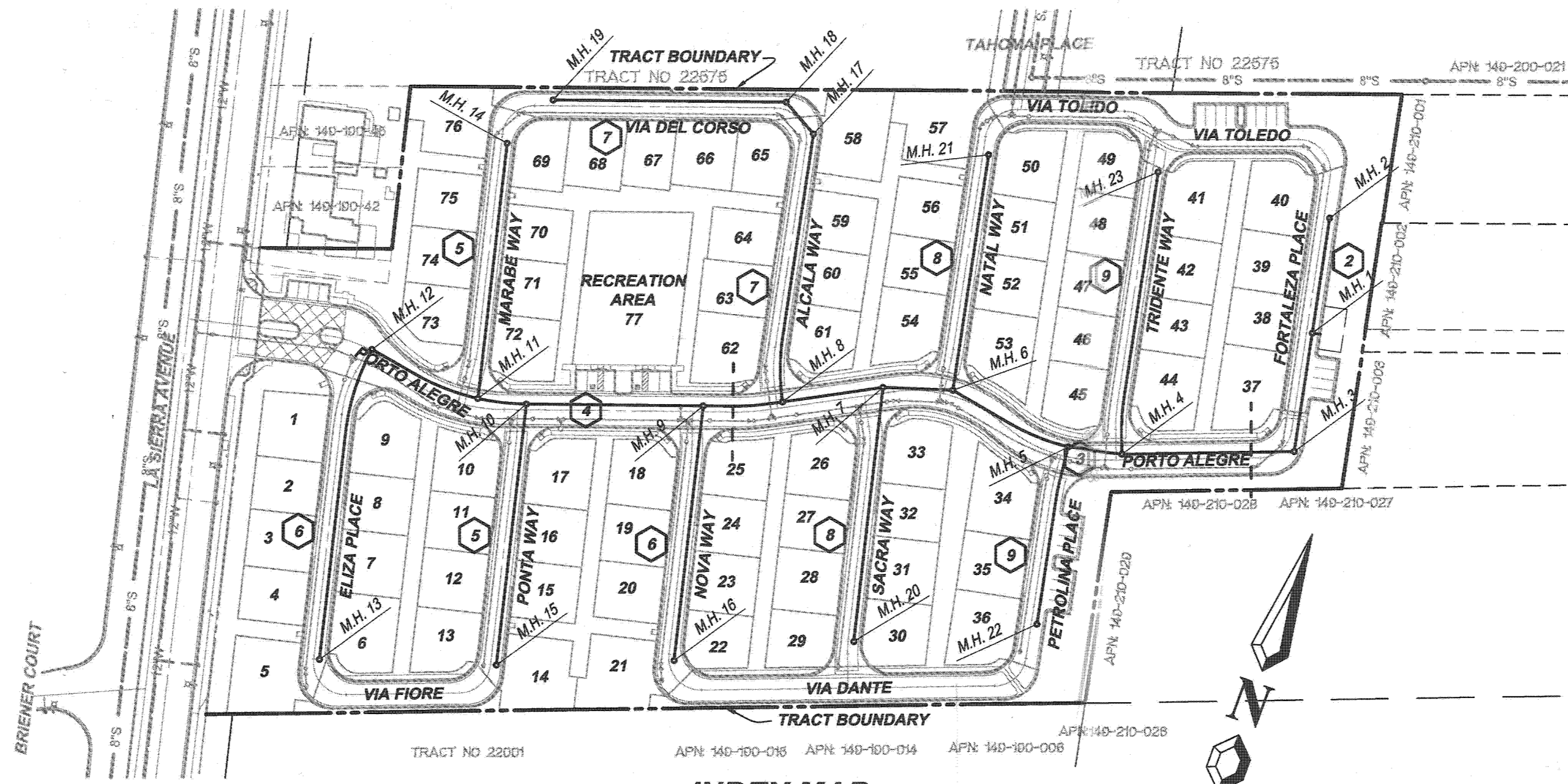
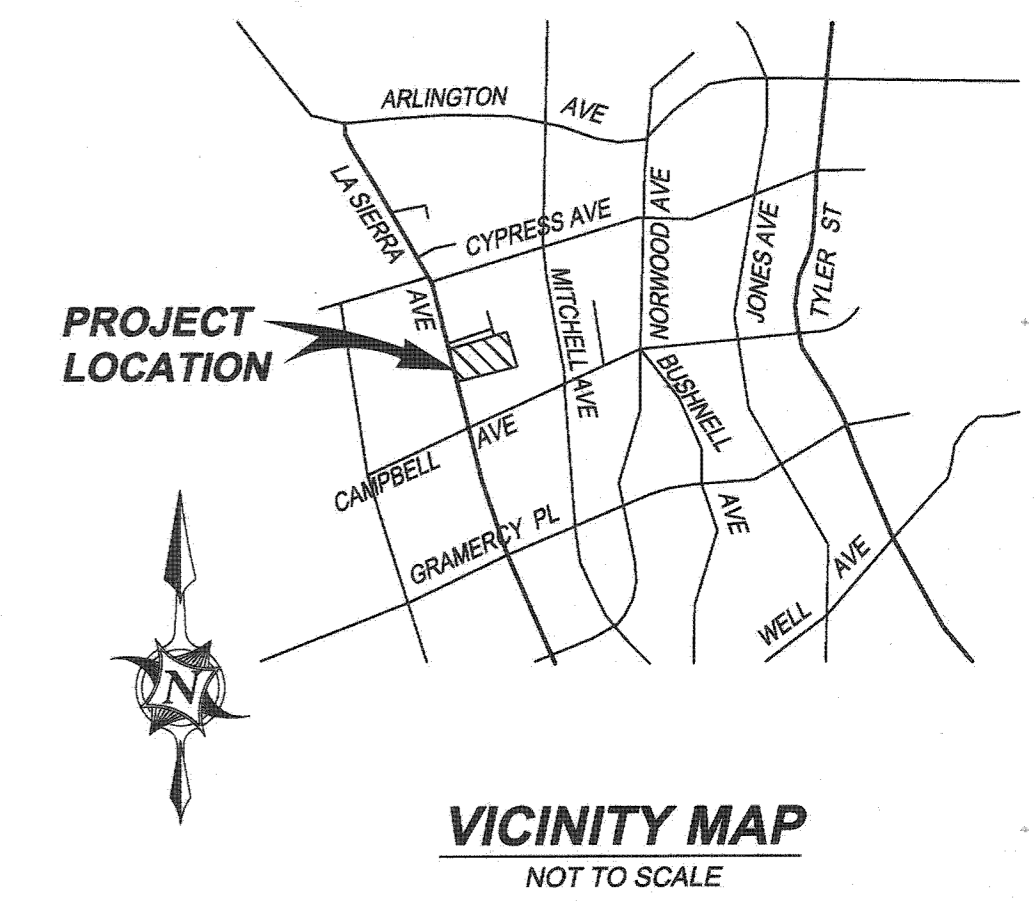


SEWER IMPROVEMENT PLANS FOR TRACT NO. 34794 CITY OF RIVERSIDE

GENERAL NOTES

- NO PERSON SHALL PERFORM ANY CONSTRUCTION ACTIVITY OR INSTALL ANY OBJECTS WITHIN THE PUBLIC RIGHTS-OF-WAY OR EASEMENTS OF THE CITY OF RIVERSIDE WITHOUT A VALID CONSTRUCTION PERMIT OR, A STREET OPENING PERMIT OR AN ENCROACHMENT PERMIT ISSUED BY THE CITY'S PUBLIC WORKS DEPARTMENT.
- IT SHALL BE THE RESPONSIBILITY OF THE CONTRACTOR TO CLEAR THE RIGHT OF WAY IN ACCORDANCE WITH THE PROVISIONS OF LAW AS IT AFFECTS EACH UTILITY INCLUDING IRRIGATION LINES AND APPURTENANCES AND AT NO COST TO THE CITY.
- CONSTRUCTION SHALL BE IN ACCORDANCE WITH THE CITY OF RIVERSIDE DEPARTMENT OF PUBLIC WORKS, STANDARD DRAWINGS, ITS SUPPLEMENTAL NOTES AND THE STANDARD SPECIFICATIONS FOR PUBLIC WORKS CONSTRUCTION, CURRENT EDITION.
- THE PRIVATE ENGINEER SIGNING THESE PLANS IS RESPONSIBLE FOR ASSURING THE ACCURACY AND ACCEPTABILITY OF THE WORK HEREON. IN THE EVENT OF DISCREPANCIES ARISING DURING CONSTRUCTION, THE PRIVATE ENGINEER SHALL BE RESPONSIBLE FOR DETERMINING AN ACCEPTABLE SOLUTION AND REVISING THE PLANS FOR APPROVAL BY THE CITY.
- QUANTITIES SHOWN ARE FOR INFORMATION ONLY AND THE CITY OF RIVERSIDE IS NOT RESPONSIBLE FOR THEIR ACCURACY.
- THE DEVELOPER SHALL BE RESPONSIBLE FOR PRESERVING OR RE-ESTABLISHING AND REFERENCING SURVEY MONUMENTS DESTROYED, DISTURBED OR BURIED AS A RESULT OF CONSTRUCTION SHOWN HEREON.
- ALL FLAGGED ELEVATIONS SHALL BE STAKED IN THE FIELD BY THE PRIVATE ENGINEER.
- ANY TRAFFIC CONTROL STRIPING OBLITERATED AND/OR BADLY WORN DURING CONSTRUCTION SHALL BE RESTORED BY THE CONTRACTOR WITHIN FIVE DAYS AFTER NOTIFICATION FROM THE CITY INSPECTORS.
- THE CONTRACTOR SHALL CALL IN A LOCATION REQUEST TO UNDERGROUND SERVICE ALERT (USA), PHONE # 1-800-227-2600, TWO WORKING DAYS BEFORE DIGGING. NO CONSTRUCTION PERMIT WILL BE ISSUED BY THE PUBLIC WORKS DEPARTMENT INVOLVING EXCAVATION FOR UNDERGROUND FACILITIES UNLESS THE APPLICANT HAS BEEN PROVIDED AN INQUIRY IDENTIFICATION NUMBER BY U.S.A.
- CONTRACTOR IS TO VERIFY EXISTING SEWER ELEVATION PRIOR TO CONSTRUCTION.
- LOCATION OF LATERALS TO BE DETERMINED IN THE FIELD AT THE DIRECTION OF THE OWNER. AVOID CONFLICT WITH PROPOSED AND/OR EXISTING FACILITIES.
- NO FINISHED FLOOR ELEVATION SHALL BE LESS THAN 6" ABOVE THE UPPER MANHOLE RIM ELEVATION OF THE SEWER LINE SEGMENT BEING CONNECTED TO, WITHOUT HAVING A PROPER BACKWATER VALVE INSTALLED IN THE LATERAL.
- A PLUG SHALL BE INSTALLED AND WILL REMAIN IN PLACE WHERE THE NEW SEWER CONNECTS WITH THE EXISTING SEWER UNTIL THE NEW SEWER IS ACCEPTED BY THE CITY.
- THE SEWER CONTRACTOR SHALL ADJUST MANHOLES TO FINAL GRADE AFTER PAVING IS COMPLETED.
- PIPES JOINTS FOR VITRIFIED CLAY PIPE SHALL BE TYPE "G" AS SPECIFIED IN SECTION 208-2.3 OF THE STANDARD SPECIFICATIONS FOR PUBLIC WORKS PROJECTS. IF PLASTIC PIPE IS ALLOWED AS AN ALTERNATIVE, ALL PIPE JOINTS SHALL BE GASKETED. CEMENTED JOINTS SHALL NOT BE ALLOWED.
- THE DEVELOPER AND/OR CONTRACTOR IS RESPONSIBLE FOR PERFORMING A VIDEO INSPECTION OF ALL NEW SEWER AND STORM DRAIN FACILITIES TO BE PUBLICLY OWNED AND MAINTAINED PRIOR TO FINAL ACCEPTANCE OF THE WORK. THE VIDEO INSPECTION MUST BE PERFORMED IN THE PRESENCE OF THE PUBLIC WORKS INSPECTOR. A RECORDING OF THE VIDEO INSPECTION MUST BE SUBMITTED TO THE CITY FOR REVIEW AND ACCEPTANCE.



INDEX MAP
SCALE 1"=100'

3 INDICATES SHEET NUMBER

SHEET INDEX
SHEET 1 TITLE SHEET
SHEET 2-9 PLAN AND PROFILE

IT IS THE CONTRACTOR / BIDDER'S RESPONSIBILITY TO REVIEW THESE PLANS AND PREPARE THEIR OWN TAKE-OFFS TO VERIFY ALL QUANTITIES INCLUDING ALL EARTHWORK QUANTITIES (RAW & REMEDIAL) TO COMPLETE ALL GRADING AND IMPROVEMENTS SHOWN ON THESE PLANS. THE QUANTITY ESTIMATE SHOWN HEREON IS FOR THE USE OF GOVERNING AGENCIES IN DETERMINING BOND AMOUNTS AND/OR FEES AND IS NOT TO BE USED FOR BID PURPOSES.

LEGEND OF ABBREVIATIONS

ANG. ANGLE	N.T.C. NOT TO SCALE
AVE. AVENUE	NO. NUMBER
AVG. AVERAGE	PL. PLACE
B.C. BEGIN CURVE	P.V.C. POLYVINYL CHLORIDE PIPE
CL. CENTERLINE	R. RADIUS
DR. DRIVE	R.C.P. REINFORCED CONCRETE PIPE
E. EAST	RD. ROAD
E.C. END CURVE	S. SOUTH
ELY. EASTERLY	S'LY. SOUTHERLY
ELEV. ELEVATION	SQ. SQUARE
EST. ESTIMATE	ST. STREET
INV. INVERT	TYP. TYPICAL
LAT. LATERAL	V.C.P. VITRIFIED CLAY PIPE
L.F. LINEAR FEET	VIC. VICINITY
LN. LANE	W. WEST
MH. MANHOLE	W'LY. WESTERLY
MIN. MINIMUM	
N. NORTH	
N'LY. NORTHERLY	

SYMBOLS LEGEND

	PROPOSED STREET LIGHT
	PROPOSED STREET NAME
	PROPOSED STOP SIGN
	PROPOSED SEWER LINE
	SEWER CLEAN OUT
	PROPOSED SEWER MANHOLE
	PROPOSED SEWER LATERAL
	PROPOSED WATER LINE
	PROPOSED WATER SERVICE
	EXISTING WATER LINE
	EXISTING SEWER LINE
	EXISTING STORM DRAIN
	BACKFLOW PREVENTION DEVICE REQUIRED

NOTICE TO CONTRACTOR:

CONTRACTOR AGREES THAT HE SHALL ASSUME SOLE AND COMPLETE RESPONSIBILITY FOR JOB SITE CONDITIONS DURING THE COURSE OF CONSTRUCTION OF THIS PROJECT, INCLUDING SAFETY OF ALL PERSONS AND PROPERTY; THAT THIS REQUIREMENT SHALL APPLY CONTINUOUSLY AND NOT BE LIMITED TO NORMAL WORKING HOURS; AND THAT THE CONTRACTOR SHALL DEFEND, INDEMNIFY AND HOLD THE OWNER AND THE ENGINEER HARMLESS FROM ANY AND ALL LIABILITY, REAL OR ALLEGED, IN CONNECTION WITH THE PERFORMANCE OF WORK ON THIS PROJECT, EXCEPTING FOR LIABILITY ARISING FROM THE SOLE NEGLIGENCE OF THE OWNER OR THE ENGINEER.

THE ENGINEER PREPARING THESE PLANS WILL NOT BE RESPONSIBLE FOR, OR LIABLE FOR, UNAUTHORIZED CHANGES OR USES OF THESE PLANS. ALL CHANGES TO THE PLANS MUST BE IN WRITING AND MUST BE APPROVED BY THE PREPARER OF THESE PLANS.

UNDERGROUND UTILITIES & STRUCTURES

THE EXISTENCE AND LOCATION OF ANY UNDERGROUND UTILITIES OR STRUCTURES SHOWN IN THESE PLANS WERE OBTAINED BY A SEARCH OF AVAILABLE RECORDS. TO THE BEST OF OUR KNOWLEDGE, THERE ARE NO EXISTING UTILITIES EXCEPT THOSE SHOWN ON THESE PLANS. THE CONTRACTOR IS REQUIRED TO TAKE ALL PRECAUTIONARY MEASURES TO PROTECT UTILITIES SHOWN AND ANY OTHER UTILITIES NOT OF RECORD OR NOT SHOWN ON THESE PLANS, AND IS RESPONSIBLE FOR THE PROTECTION OF AND ANY DAMAGE TO THESE LINES OR STRUCTURES.

BENCH MARK:
G2-M3 ELEV. = 779.743 (1971 ADJ.) NGVD 1929 DATUM
PK NAIL & CITY ENGINEER TAG IN THE TOP OF THE
EASTERLY CURB OF LA SIERRA AVE., APPROX. 40'
NORTHERLY OF CENTERLINE OF PALM TERRACE LANE.

BASIS OF BEARINGS:
THE BASIS OF BEARINGS HEREON IS THE CALIFORNIA
STATE PLANE COORDINATE SYSTEM, ZONE 6, NAD 1983,
AS DETERMINED LOCALLY BY THE LINE BETWEEN CORE
STATIONS "CNPP" AND "MLFP" BEING N76°36'24"E,
91,032.89' (GRID) (EPOCH 2010.00).

UNDERGROUND SERVICE ALERT
Call: Toll FREE
1-800-227-2600
TWO WORKING DAYS
BEFORE YOU DIG

MAYERS & ASSOCIATES
CIVIL ENGINEERING, Inc.
PLANNING • ENGINEERING • SURVEYING
17 Spectrum Pointe Drive • Suite 609 Lake Forest, CA 92550
(949) 599-0870 • (949) 599-0880 Fax • www.mayerscivil.com

Don J. Mayers 1/23/15
DRU J. MAYERS DATE
R.C.E. No. 38474 Exp. 3/31/15



CITY OF RIVERSIDE
WATER DEPARTMENT
Matthew Bates 01/21/2015
APPROVED BY DATE

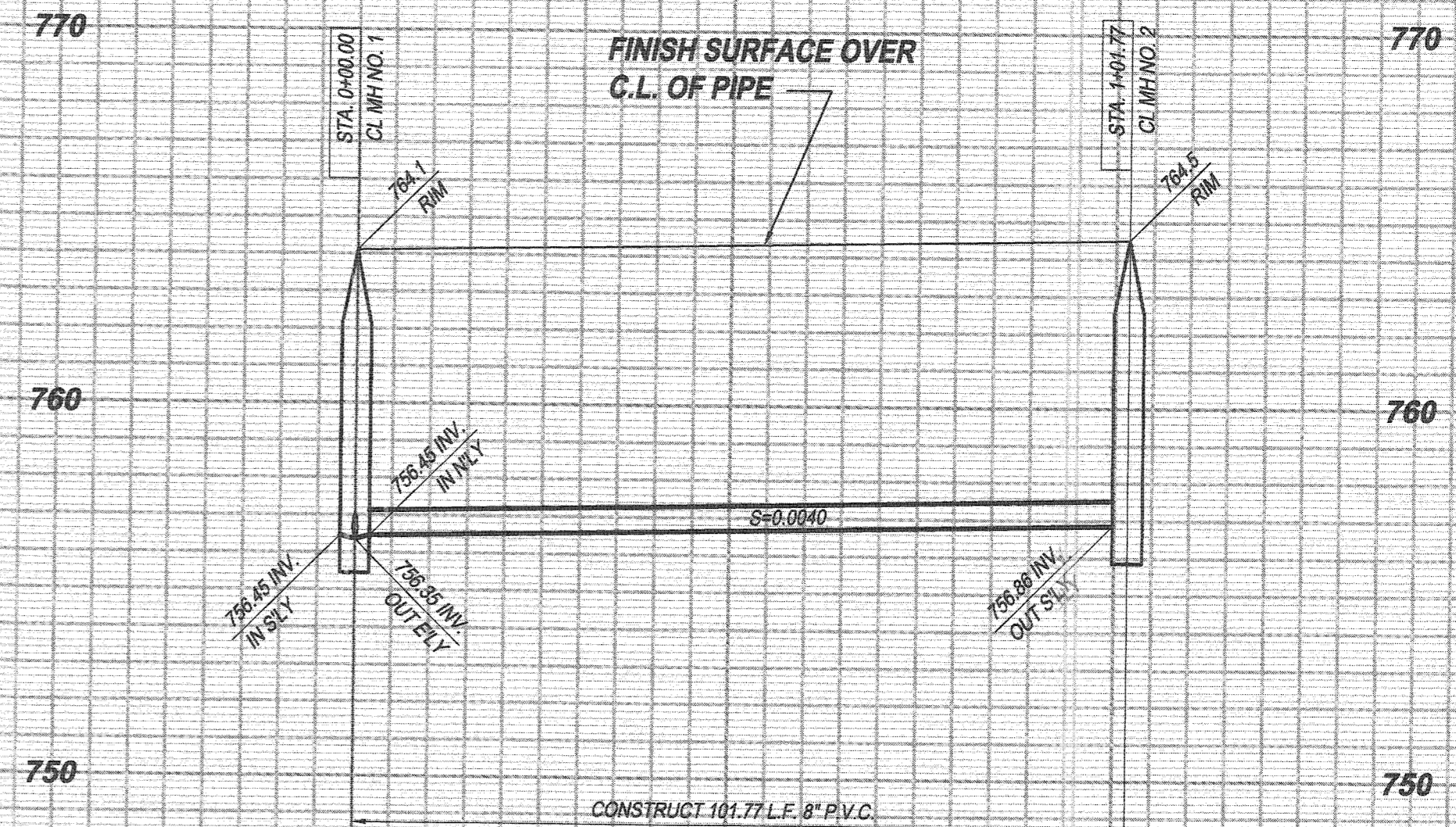
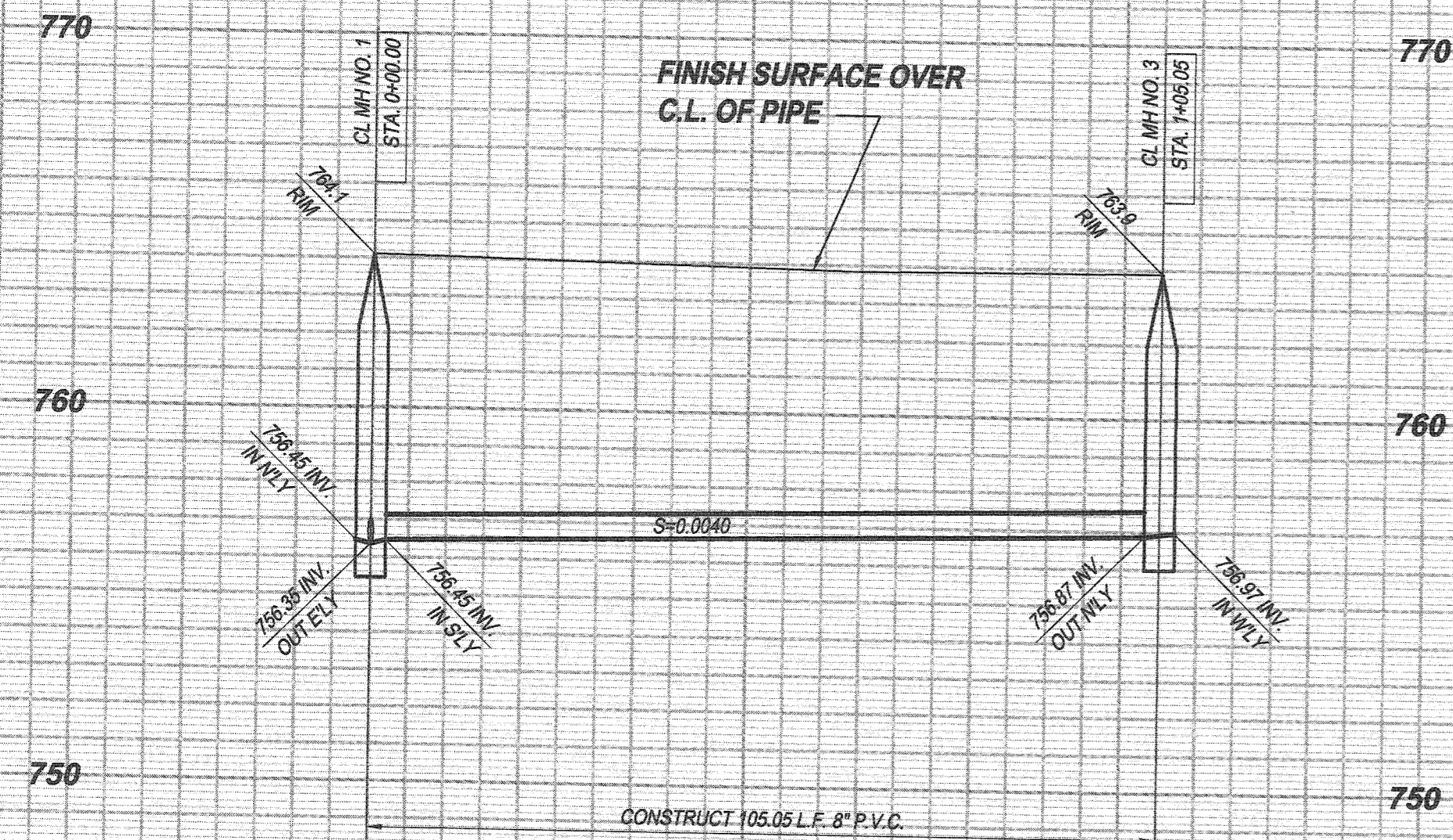
PROJECT SITE
A.P.N. 149-210-030-031 AND
149-190-043, 044 & 046

MAYERS & ASSOCIATES
CITY BUSINESS TAX CERTIFICATE NO.
0109986 EXPIRES: 02/28/2015

CITY OF RIVERSIDE, CALIFORNIA PUBLIC WORKS DEPARTMENT		
APPROVED BY	BY	DATE
ENGINEERING MANAGER	<i>[Signature]</i>	2/11/15
TRAFFIC ENGINEERING	<i>[Signature]</i>	2-3-15
CAPITAL PROJECTS	<i>[Signature]</i>	2-9-15
APPROVED BY	CITY ENGINEER / PUBLIC WORKS DIRECTOR	DATE
<i>[Signature]</i>		2/19/2015

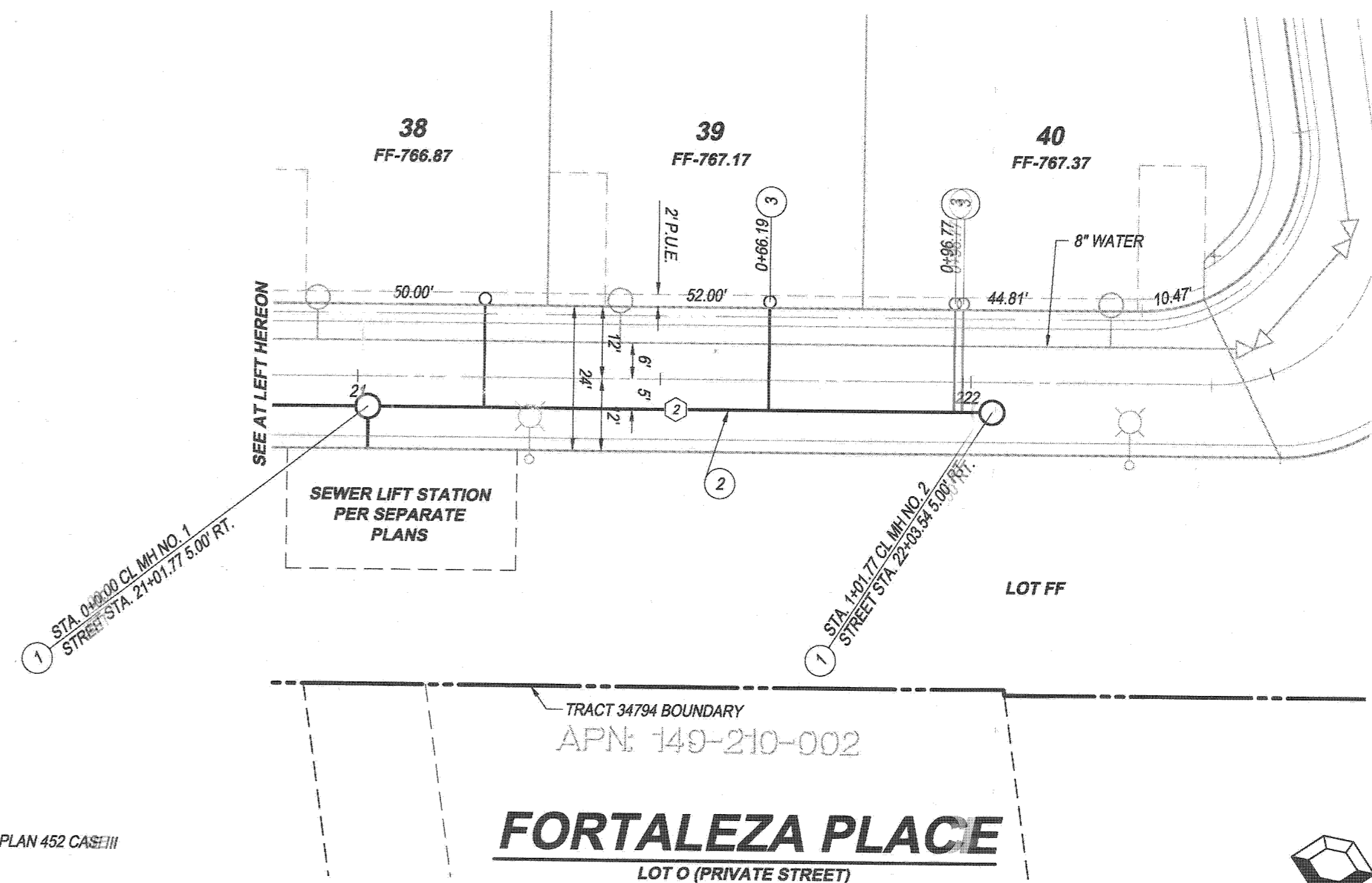
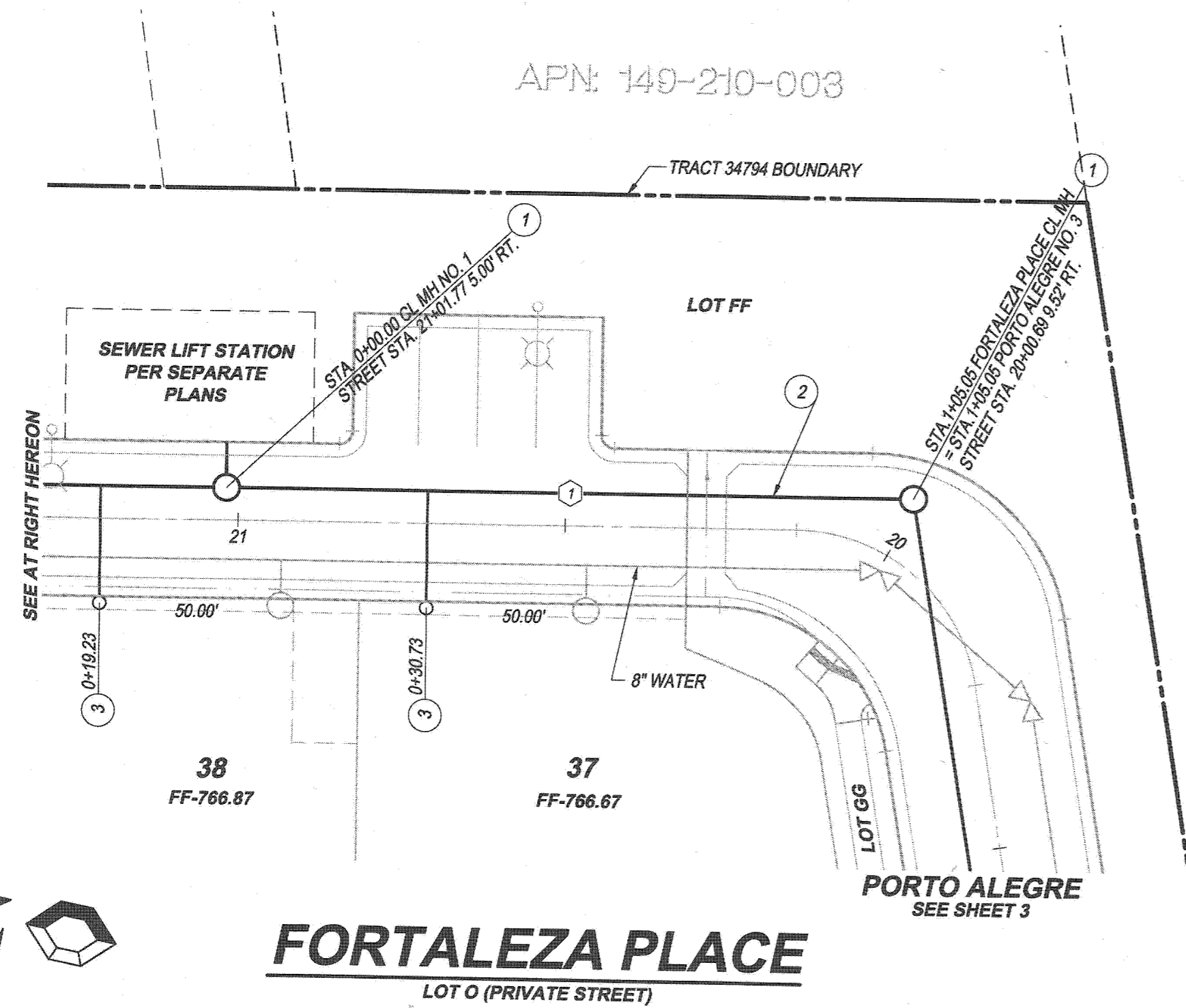
SEWER IMPROVEMENT PLANS
TRACT 34794
TITLE SHEET

PW14-0440
ACCT. NO. 9205300611 453002XX
S-2049
SHEET 1 OF 9



PROFILE SCALES

HORIZ.: 1" = 20'
VERT.: 1" = 4'



CONSTRUCTION NOTES

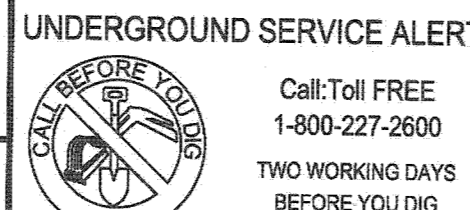
- 1 CONSTRUCT SEWER MANHOLE PER CITY OF RIVERSIDE STD. PLAN 500
- 2 CONSTRUCT 8" P.V.C. SEWER MAIN PIPE AND BEDDING PER CITY OF RIVERSIDE STD. PLAN 452 CASE III
- 3 CONSTRUCT 4" P.V.C. SEWER LATERAL PER CITY OF RIVERSIDE STD. PLAN 562

SEWER DATA TABLE

BEARING DELTA	RADIUS	LENGTH	TANGENT
1 N 11°24'30" W	105.05		
2 N 11°24'30" W	101.77		

BENCH MARK:
G2-M3 ELEV. = 779.743 (1971 ADJ.) NGVD 1929 DATUM
PK NAIL & CITY ENGINEER TAG IN THE TOP OF THE
EASTERLY CURB OF LA SIERRA AVE., APPROX. 40'
NORTHERLY OF CENTERLINE OF PALM TERRACE LANE.

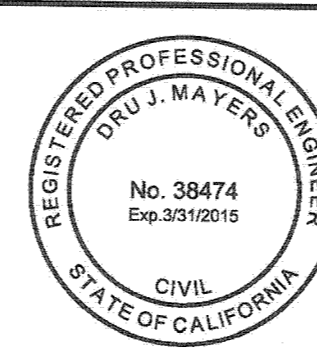
BASIS OF BEARINGS:
THE BASIS OF BEARINGS HEREON IS THE CALIFORNIA
STATE PLANE COORDINATE SYSTEM, ZONE 6, NAD 1983,
AS DETERMINED LOCALLY BY THE LINE BETWEEN CORN
STATIONS "CNPP" AND "MLFP" BEING N76°36'24"E,
91,032.88' (GRID) (EPOCH 2010.00).



Call: Toll FREE
1-800-227-2600
TWO WORKING DAYS
BEFORE YOU DIG

MAYERS & ASSOCIATES
CIVIL ENGINEERING, Inc.
PLANNING • ENGINEERING • SURVEYING
19 Spectrum Pointe Drive • Suite 609 Lake Forest, CA 92650
(949) 599-0870 • (949) 599-0850 Fax • www.mayerscivil.com

Dr. J. Mayers 1/23/15
DRU J. MAYERS DATE
R.C.E. No. 38474 Exp. 3/31/15



CITY OF RIVERSIDE
WATER DEPARTMENT
APPROVED BY: *[Signature]* DATE: 01/29/2015

CITY OF RIVERSIDE, CALIFORNIA
PUBLIC WORKS DEPARTMENT

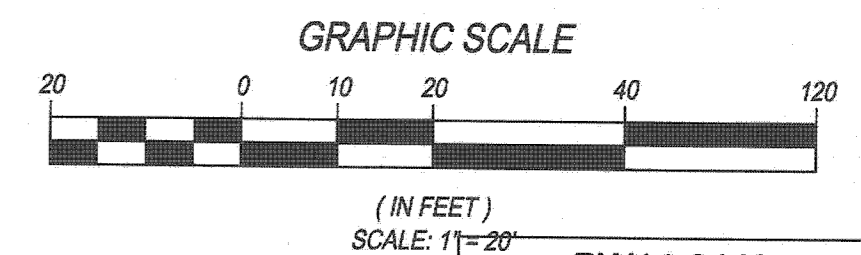
APPROVED BY	BY	DATE	APPROVED BY
ENGINEERING MANAGER	<i>[Signature]</i>	1-26-15	<i>[Signature]</i>
TRAFFIC ENGINEERING	<i>[Signature]</i>	1-23-15	CITY ENGINEER /
CAPITAL PROJECTS	<i>[Signature]</i>	2-25-15	PUBLIC WORKS DIRECTOR

DESIGNED BY: R.J.G. DRAWN BY: J.R.C. CHECKED BY: D.J.M.

SEWER IMPROVEMENT PLANS
TRACT 34794
FORTALEZA PLACE

STA. 0+00.00 TO STA. 1+05.05 SLY
STA. 0+00.00 TO STA. 1+01.77 NLY

HORIZONTAL SCALE: PER PLAN VERTICAL SCALE: PER PLAN

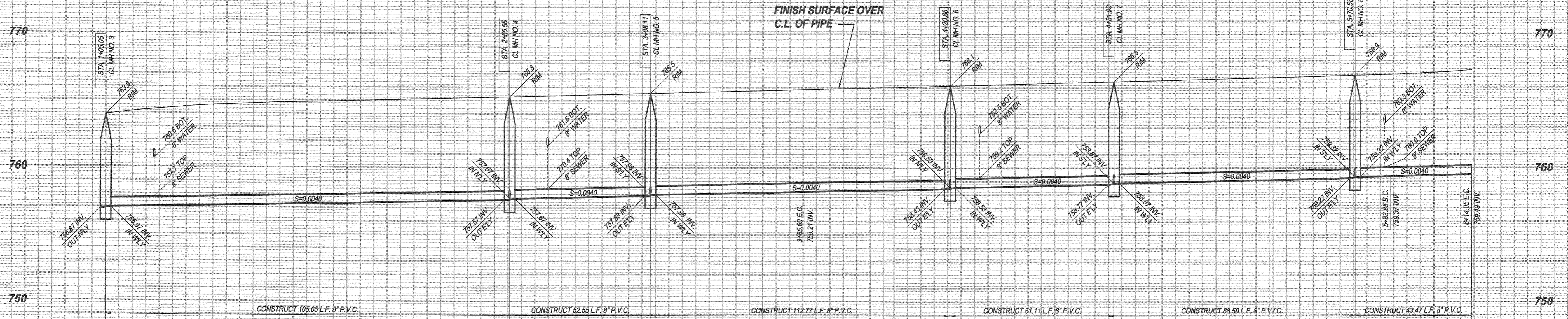


PW14-0440

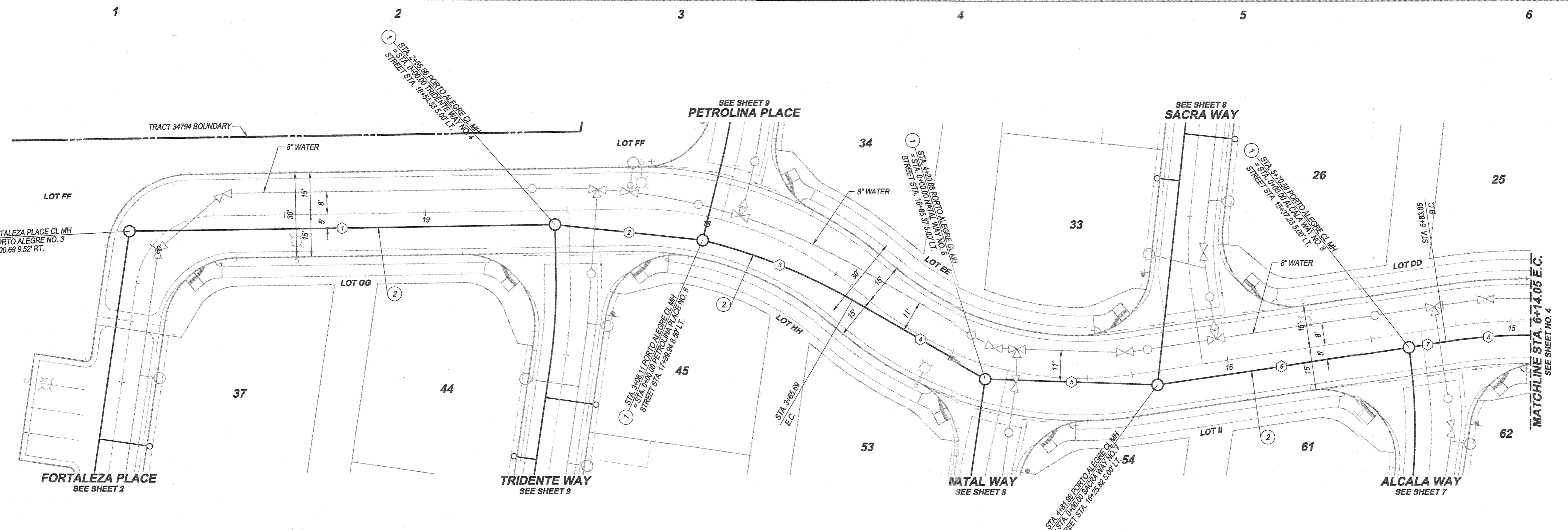
ACCT. NO. 9205300611 453002XX

S-2049

SHEET 2 OF 9



PROFILE SCALES
 HORIZ.: 1" = 20'
 VERT.: 1" = 4'



- CONSTRUCTION NOTES**
- 1 CONSTRUCT SEWER MANHOLE PER CITY OF RIVERSIDE STD. PLAN 500
 - 2 CONSTRUCT 8" P.V.C. SEWER MAIN PIPE AND BEDDING PER CITY OF RIVERSIDE STD. PLAN 452 CASE III

PORTO ALEGRE
 LOT A (PRIVATE STREET)

SEWER DATA TABLE

NO.	BEARING/DELTA	RADIUS	LENGTH	TANGENT
1	N 69°12'46" E		160.51	
2	N 76°27'50" E		52.55	
3	16°24'33"	200.00	57.28	28.84
4	S 79°34'51" E		55.49	
5	N 72°23'34" E		61.11	
6	N 61°51'58" E		88.59	
7	N 61°51'58" E		13.27	
8	8°39'09"	200.00	30.20	15.13

BENCH MARK:
 G2-M3 ELEV. = 779.743 (1971 ADJ.) NGVD 1929 DATUM
 PK NAIL & CITY ENGINEER TAG IN THE TOP OF THE
 EASTERLY CURB OF LA SIERRA AVE., APPROX. 40'
 NORTHERLY OF CENTERLINE OF PALM TERRACE LANE.

BASIS OF BEARINGS:
 THE BASIS OF BEARINGS HEREON IS THE CALIFORNIA
 STATE PLANE COORDINATE SYSTEM, ZONE 6, NAD 1983,
 AS DETERMINED LOCALLY BY THE LINE BETWEEN CORRS
 STATIONS "CNPP" AND "MLFP" BEING N76°36'24"E,
 91,032.89' (GRID) (EPOCH 2010.00).

UNDERGROUND SERVICE ALERT

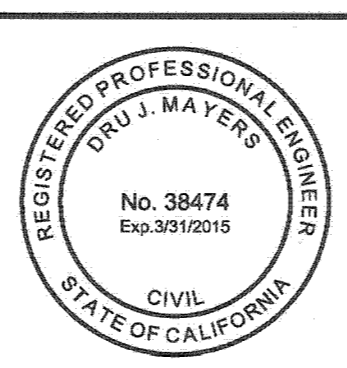
Call: Toll FREE
 1-800-227-2600

TWO WORKING DAYS
 BEFORE YOU DIG

MAYERS & ASSOCIATES
 CIVIL ENGINEERING, Inc.

PLANNING • ENGINEERING • SURVEYING
 17 Spectrum Plaza Drive • Suite 409 Lakes Forest, CA 92530
 (949) 599-0870 • (949) 599-0880 Fax • www.mayersca.com

Dr. J. Mayers 1/23/15
 DATE
 R.C.E. No. 38474 Exp. 3/31/15



CITY OF RIVERSIDE
 WATER DEPARTMENT

[Signature] 01/23/2015
 APPROVED BY DATE

CITY OF RIVERSIDE, CALIFORNIA
 PUBLIC WORKS DEPARTMENT

APPROVED BY: *[Signature]* DATE: 2-3-15
 ENGINEERING MANAGER

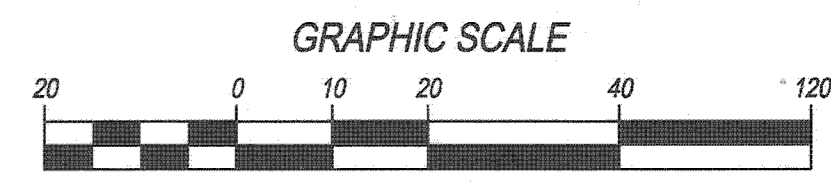
APPROVED BY: *[Signature]* DATE: 2/19/2015
 CITY ENGINEER / PUBLIC WORKS DIRECTOR

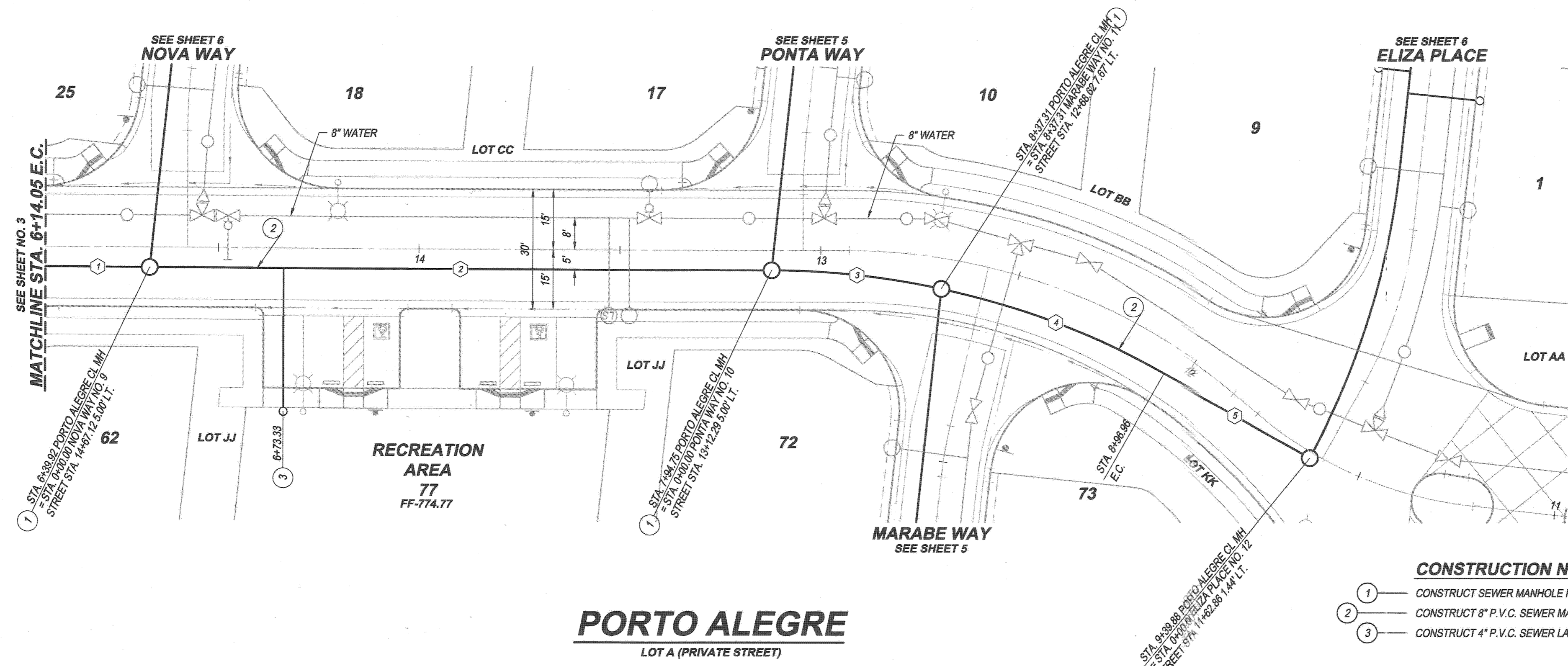
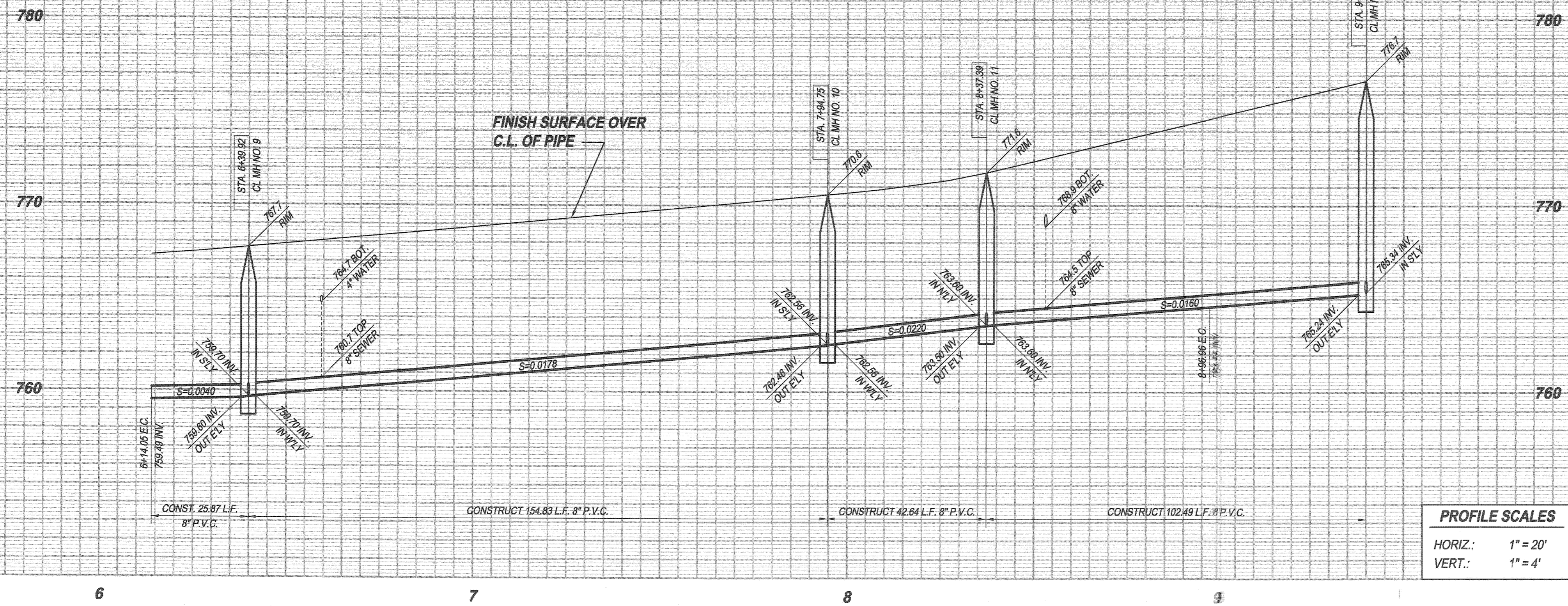
SEWER IMPROVEMENT PLANS
 TRACT 34794
 PORTO ALEGRE

STA. 1+05.05 TO STA. 6+14.05 E.C.

HORIZONTAL SCALE: PER PLAN VERTICAL SCALE: PER PLAN

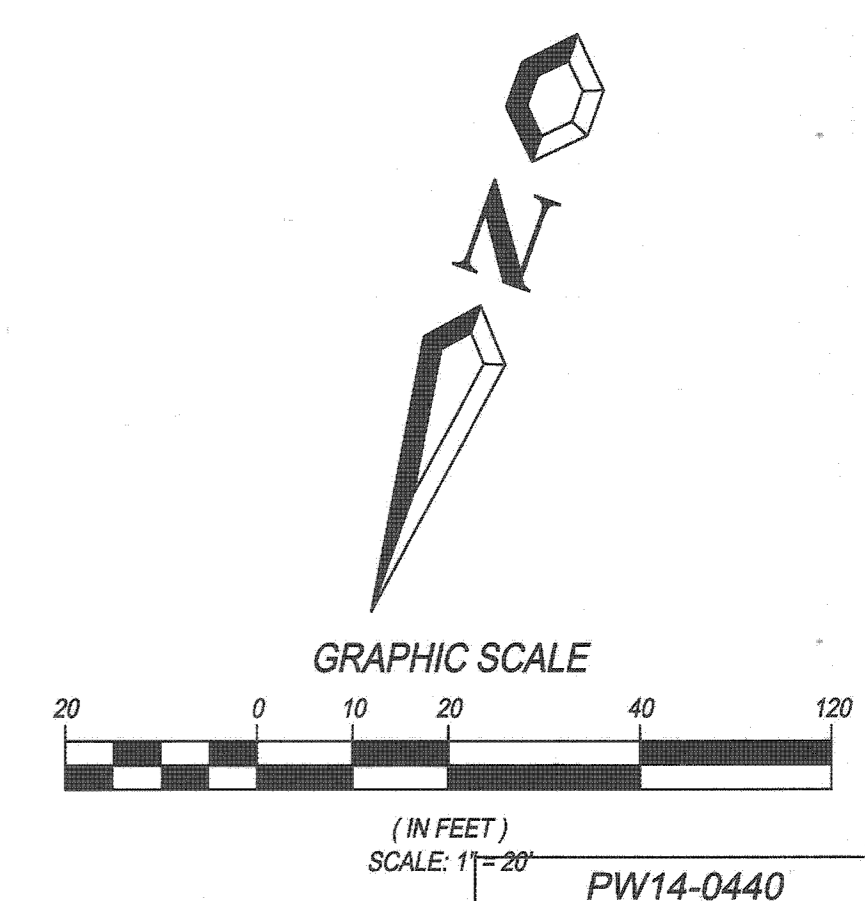
ACCT. NO. 9205300611 453002XX
S-2049
 SHEET 3 OF 9





PORTO ALEGRE
LOT A (PRIVATE STREET)

- CONSTRUCTION NOTES**
- CONSTRUCT SEWER MANHOLE PER CITY OF RIVERSIDE STD. PLAN 500
 - CONSTRUCT 8" P.V.C. SEWER MAIN PIPE AND BEDDING PER CITY OF RIVERSIDE STD. PLAN 452 CASE III
 - CONSTRUCT 4" P.V.C. SEWER LATERAL PER CITY OF RIVERSIDE STD. PLAN 562



SEWER DATA TABLE

BEARING/Delta	RADIUS	LENGTH	TANGENT
1 N 70°31'05" E		25.87	
2 N 70°31'05" E		154.83	
3 12°12'59"	200.00	42.64	21.40
4 17°03'58"	200.00	59.57	30.01
5 S 80°11'57" E		42.92	

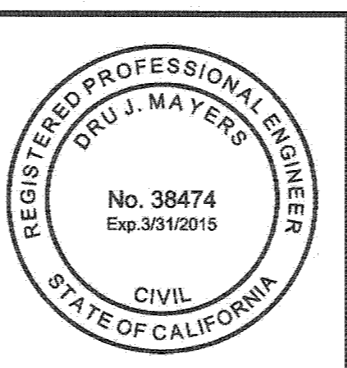
BENCH MARK:
G2-M3 ELEV. = 779.743 (1971 ADJ.) NGVD 1929 DATUM
PK NAIL & CITY ENGINEER TAG IN THE TOP OF THE
EASTERLY CURB OF LA SIERRA AVE., APPROX. 40'
NORTHERLY OF CENTERLINE OF PALM TERRACE LANE.

BASIS OF BEARINGS:
THE BASIS OF BEARINGS HEREON IS THE CALIFORNIA
STATE PLANE COORDINATE SYSTEM, ZONE 6, NAD 1983,
AS DETERMINED LOCALLY BY THE LINE BETWEEN CORS
STATIONS "CNPP" AND "MLFP" BEING N76°36'24"E,
91,032.89' (GRID) (EPOCH 2010.00).

UNDERGROUND SERVICE ALERT
Call: Toll FREE
1-800-227-2600
TWO WORKING DAYS
BEFORE YOU DIG

MAYERS & ASSOCIATES
CIVIL ENGINEERING, Inc.
PLANNING • ENGINEERING • SURVEYING
19 Spectrum Pointe Drive • Suite 609 Lakes Forest, CA 92530
(949) 599-0870 • (949) 599-0880 Fax • www.mayerscivil.com

Dr. J. Mayers 1/23/15
DATE
R.C.E. No. 38474 Exp. 3/31/15

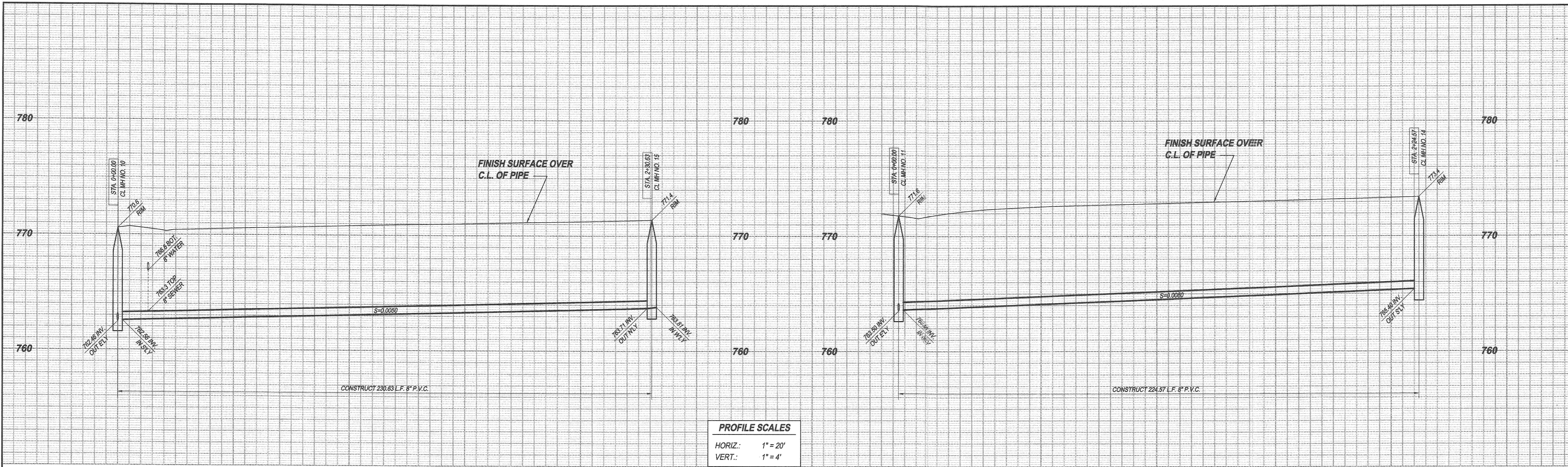


CITY OF RIVERSIDE
WATER DEPARTMENT
APPROVED BY: *Matthew R...* DATE: 2/12/2015

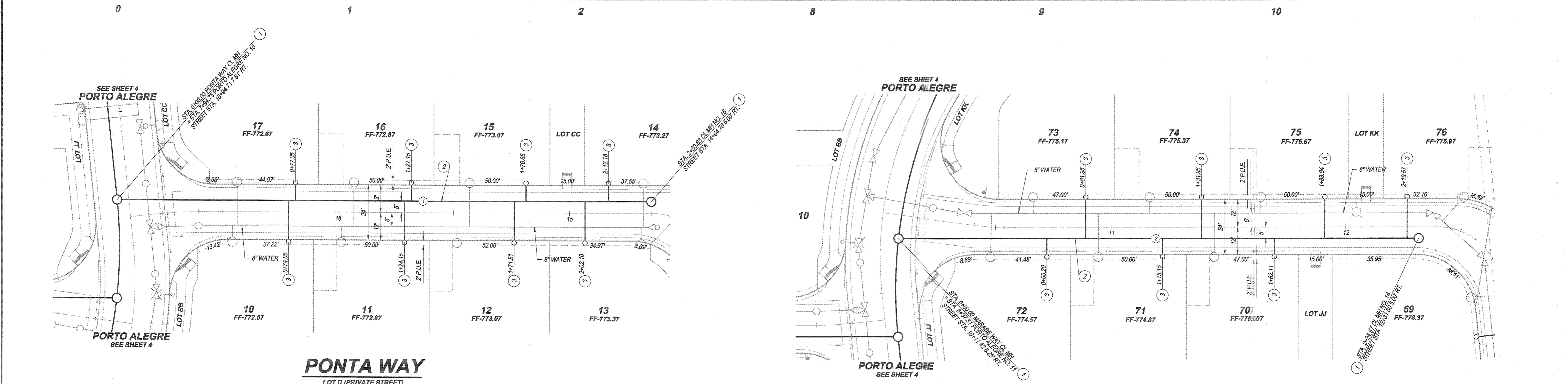
CITY OF RIVERSIDE, CALIFORNIA
PUBLIC WORKS DEPARTMENT
APPROVED BY: *Matthew R...* DATE: 2/12/2015
APPROVED BY: *Matthew R...* DATE: 2/12/2015
CITY ENGINEER / PUBLIC WORKS DIRECTOR

SEWER IMPROVEMENT PLANS
TRACT 34794
PORTO ALEGRE
STA. 6+14.05 E.C. TO STA. 9+39.88
HORIZONTAL SCALE: PER PLAN VERTICAL SCALE: PER PLAN

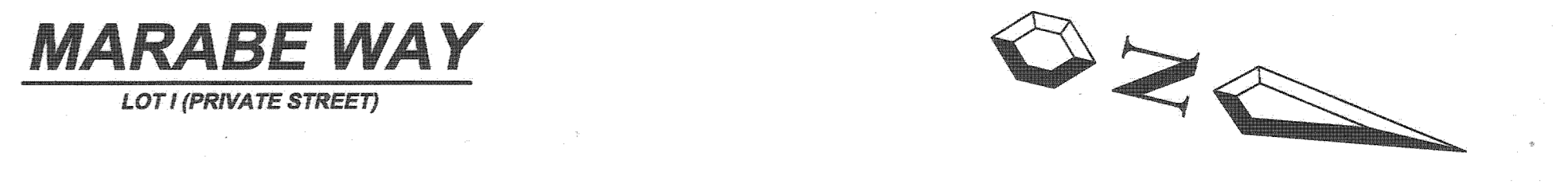
ACCT. NO. 9205300611 453002XX
S-2049
SHEET 4 OF 9



PROFILE SCALES
 HORIZ.: 1" = 20'
 VERT.: 1" = 4'



- CONSTRUCTION NOTES**
- 1 CONSTRUCT SEWER MANHOLE PER CITY OF RIVERSIDE STD. PLAN 500
 - 2 CONSTRUCT 8" P.V.C. SEWER MAIN PIPE AND BEDDING PER CITY OF RIVERSIDE STD. PLAN 452 CASE III
 - 3 CONSTRUCT 4" P.V.C. SEWER LATERAL PER CITY OF RIVERSIDE STD. PLAN 582



SEWER DATA TABLE

BEARING/Delta	RADIUS	LENGTH	TANGENT
N 13°32'33" W		230.63	
S 13°32'33" E		224.57	

BENCH MARK:
 G2-M3 ELEV. = 779.743 (1971 ADJ.) NGVD 1929 DATUM
 PK NAIL & CITY ENGINEER TAG IN THE TOP OF THE
 EASTERLY CURB OF LA SIERRA AVE., APPROX. 40'
 NORTHERLY OF CENTERLINE OF PALM TERRACE LANE.

BASIS OF BEARINGS:
 THE BASIS OF BEARINGS HEREON IS THE CALIFORNIA
 STATE PLANE COORDINATE SYSTEM, ZONE 6, NAD 1983,
 AS DETERMINED LOCALLY BY THE LINE BETWEEN CORNERS
 STATIONS "CNPP" AND "MLFP" BEING N76°36'24"E,
 91,032.89' (GRID) (EPOCH 2010.00).

UNDERGROUND SERVICE ALERT

Call: Toll FREE
 1-800-227-2600

TWO WORKING DAYS
 BEFORE YOU DIG

MAYERS & ASSOCIATES
 CIVIL ENGINEERING, Inc.

PLANNING • ENGINEERING • SURVEYING
 19 Spectrum Pointe Drive • Suite 699 Lake Forest, CA 92550
 (949) 599-0870 • (949) 599-0880 Fax • www.mayerscivil.com

Dr. J. Mayers 1/23/15
 DRU J. MAYERS DATE
 R.C.E. No. 38474 Exp. 3/31/15

REGISTERED PROFESSIONAL ENGINEER
 DRU J. MAYERS
 No. 38474
 Exp. 3/31/2015
 CIVIL
 STATE OF CALIFORNIA

CITY OF RIVERSIDE
 WATER DEPARTMENT

APPROVED BY: *[Signature]* DATE: 01/24/2015

CITY OF RIVERSIDE, CALIFORNIA
 PUBLIC WORKS DEPARTMENT

APPROVED BY: *[Signature]* DATE: 2/19/2015

DESIGNED BY: R.J.G. DRAWN BY: J.F.C. CHECKED BY: D.J.M.

SEWER IMPROVEMENT PLANS
 TRACT 34794
 PONTA WAY & MARABE WAY

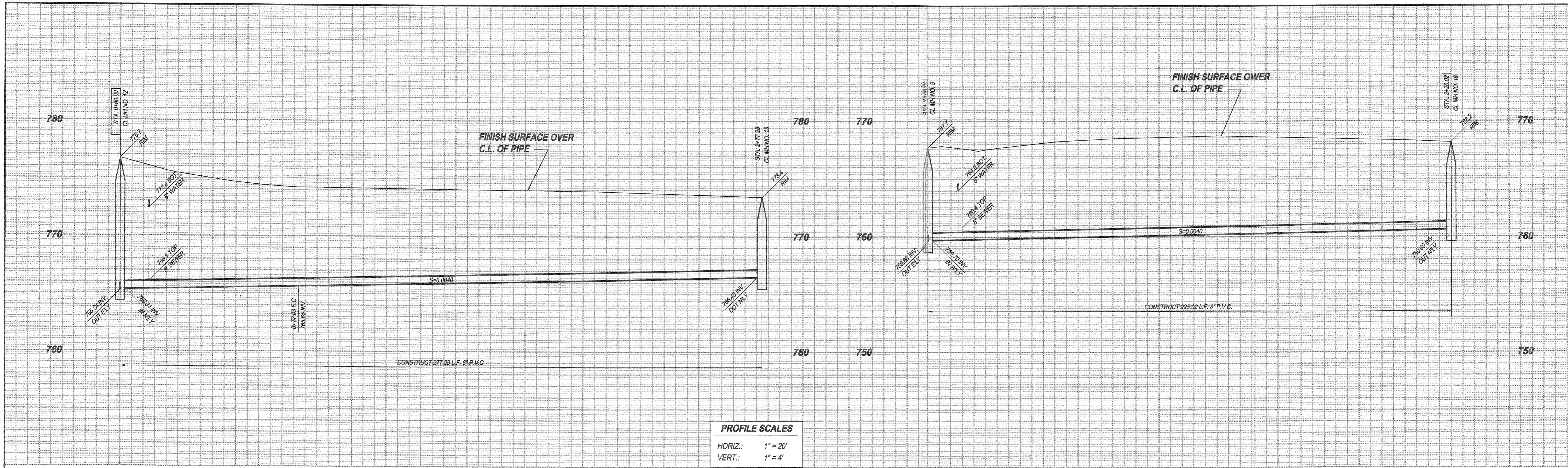
STA. 0+00.00 TO STA. 2+30.63 PONTA WAY
 STA. 0+00.00 TO STA. 2+24.57 MARABE WAY

HORIZONTAL SCALE: PER PLAN VERTICAL SCALE: PER PLAN

ACCT. NO. 9205300611 453002XX
S-2049
 SHEET 5 OF 9

PW14-0440

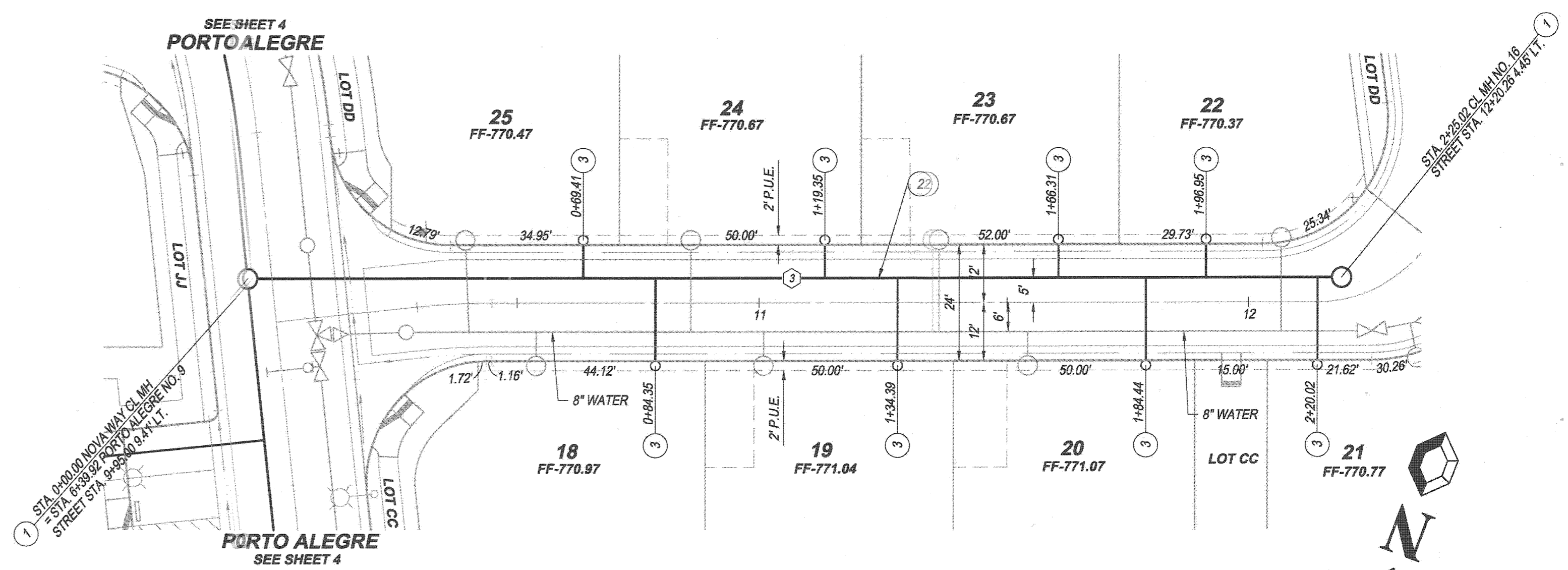
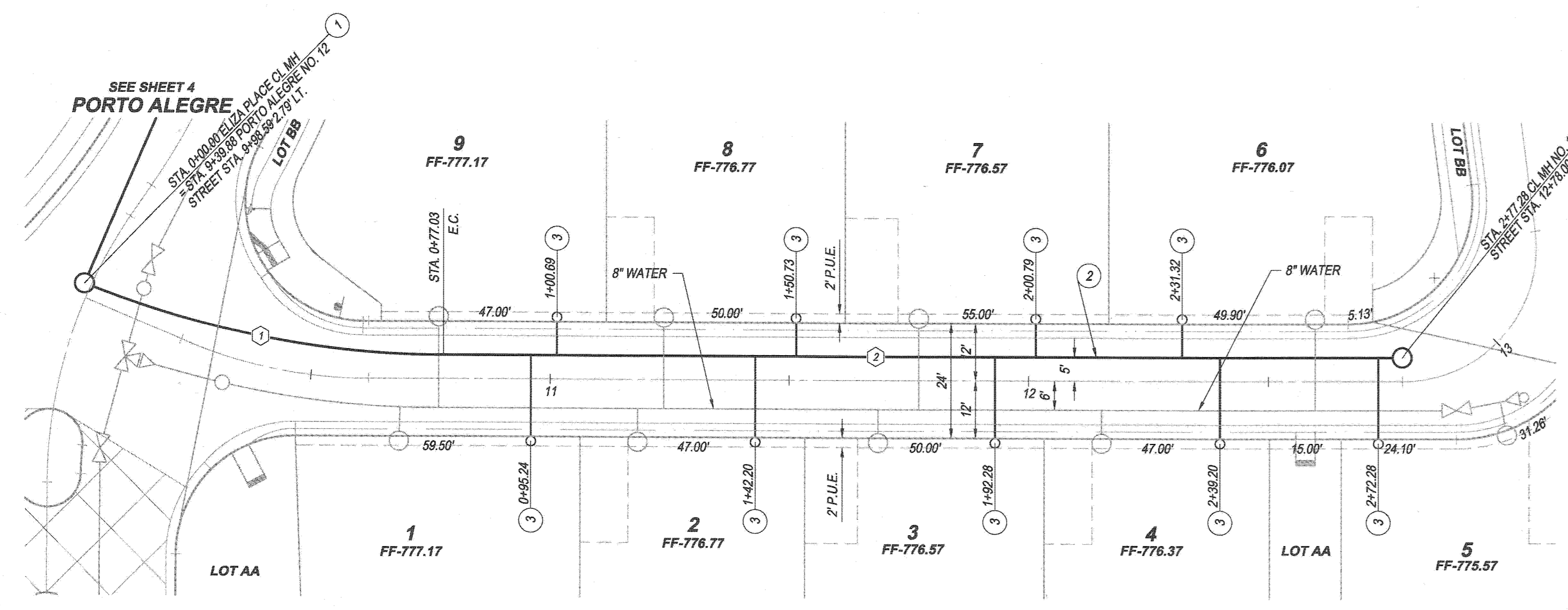
DATE: 2/19/2015



PROFILE SCALES

HORIZ.: 1" = 20'

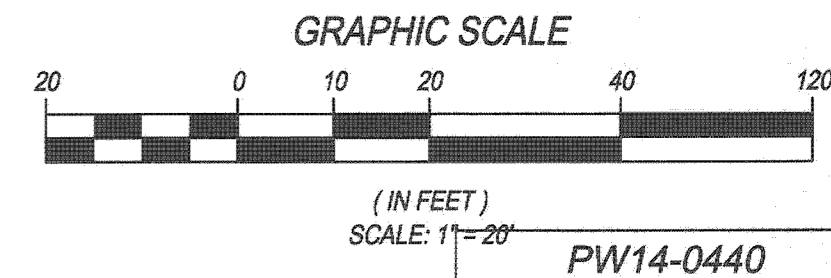
VERT.: 1" = 4'



ELIZA PLACE
LOT B (PRIVATE STREET)

NOVA WAY
LOT E (PRIVATE STREET)

- CONSTRUCTION NOTES**
- CONSTRUCT SEWER MANHOLE PER CITY OF RIVERSIDE STD. PLAN 500
 - CONSTRUCT 8" P.V.C. SEWER MAIN PIPE AND BEDDING PER CITY OF RIVERSIDE STD. PLAN 452 CASE III
 - CONSTRUCT 4" P.V.C. SEWER LATERAL PER CITY OF RIVERSIDE STD. PLAN 562



SEWER DATA TABLE

BEARING/Delta	RADIUS	LENGTH	TANGENT
22°03'59"	200.00	77.03	39.00
S 13°32'33" E		200.25	
N 13°32'33" W		225.02	

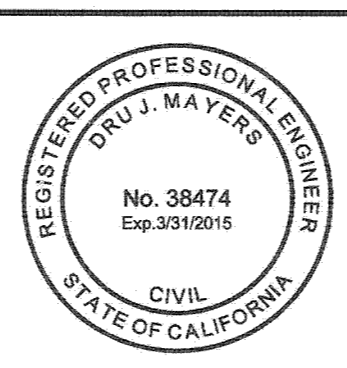
BENCH MARK:
G2-M3 ELEV. = 779.743 (1971 ADJ.) NGVD 1929 DATUM
PK NAIL & CITY ENGINEER TAG IN THE TOP OF THE
EASTERLY CURB OF LA SIERRA AVE., APPROX. 40'
NORTHERLY OF CENTERLINE OF PALM TERRACE LANE.

BASIS OF BEARINGS:
THE BASIS OF BEARINGS HEREON IS THE CALIFORNIA
STATE PLANE COORDINATE SYSTEM, ZONE 6, NAD 1983,
AS DETERMINED LOCALLY BY THE LINE BETWEEN CORNERS
STATIONS "ONPP" AND "MLFP" BEING N76°36'24"E,
91,032.89' (GRID) (EPOCH 2010.0).

UNDERGROUND SERVICE ALERT
Call: Toll FREE
1-800-227-2600
TWO WORKING DAYS
BEFORE YOU DIG

MAYERS & ASSOCIATES
CIVIL ENGINEERING, Inc.
PLANNING • ENGINEERING • SURVEYING
19 Spectra Way, Suite 100, Lakeside, CA 92040
(949) 599-0870 • (949) 599-0880 Fax • www.mayerscivil.com

Dr. J. Mayers 1/23/15
DRU J. MAYERS DATE
R.C.E. No. 38474 Exp. 3/31/15



MARK	REVISIONS	APPR.	DATE

CITY OF RIVERSIDE
WATER DEPARTMENT
APPROVED BY: *[Signature]* DATE: 01/22/2015

CITY OF RIVERSIDE, CALIFORNIA
PUBLIC WORKS DEPARTMENT

APPROVED BY:	BY:	DATE:	APPROVED BY:
ENGINEERING MANAGER	J.M.	2-4-15	<i>[Signature]</i>
TRAFFIC ENGINEERING	J.M.	2-3-15	CITY ENGINEER
CAPITAL PROJECTS	J.M.	2-9-15	PUBLIC WORKS DIRECTOR

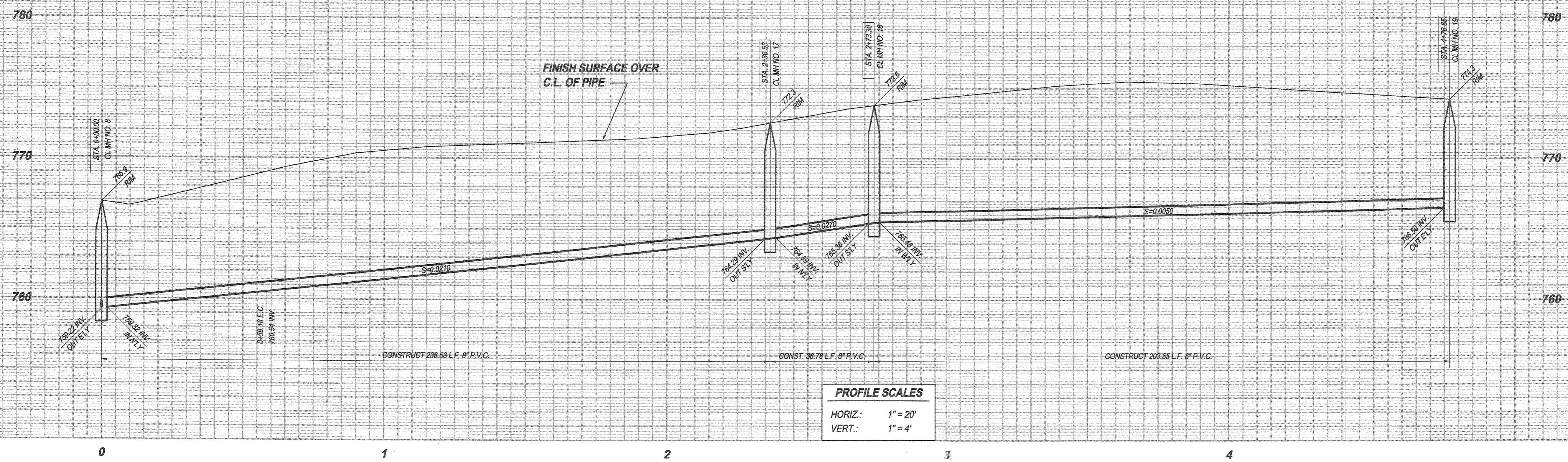
DATE: 2/9/2015

SEWER IMPROVEMENT PLANS
TRACT 34794
ELIZA PLACE & NOVA WAY

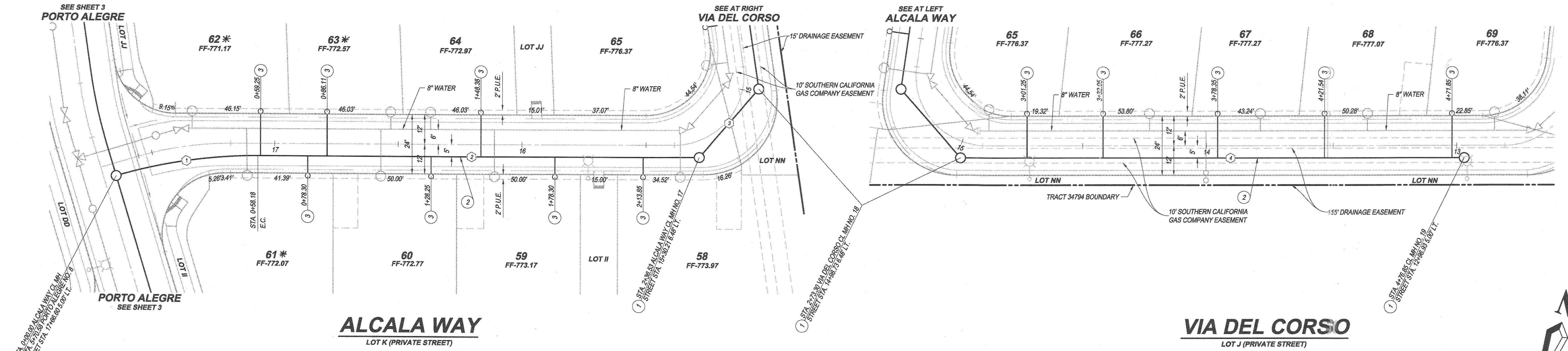
STA. 0+00.00 TO STA. 2+77.28 ELIZA PLACE
STA. 0+00.00 TO STA. 2+25.02 NOVA WAY

HORIZONTAL SCALE: PER PLAN VERTICAL SCALE: PER PLAN

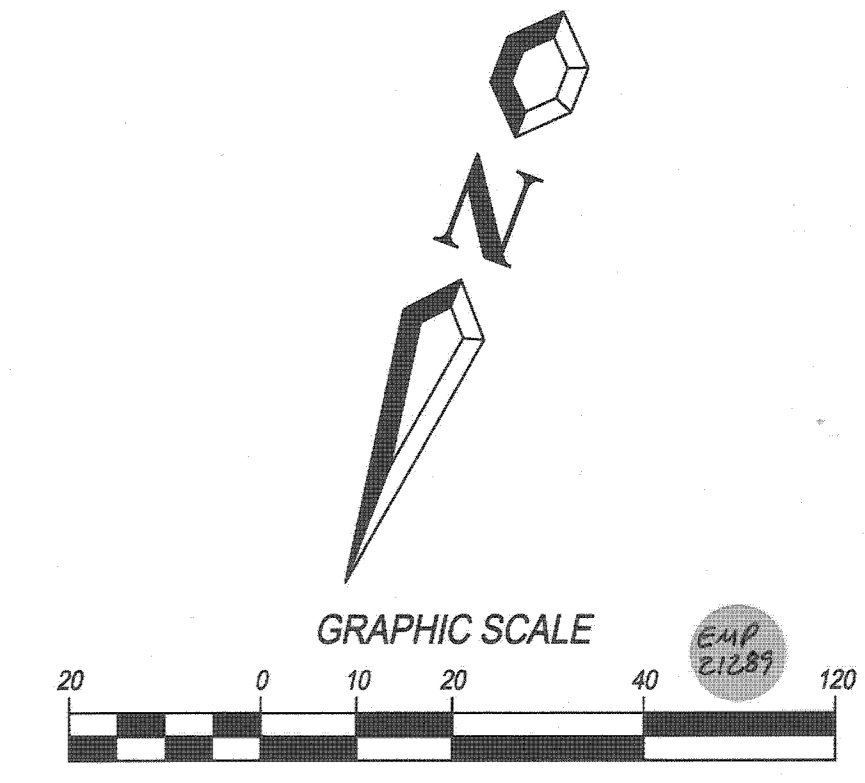
ACCT. NO. 9205300611 453002XX
S-2049
SHEET 6 OF 9



PROFILE SCALES
 HORIZ.: 1" = 20'
 VERT.: 1" = 4'



- CONSTRUCTION NOTES**
- 1 CONSTRUCT SEWER MANHOLE PER CITY OF RIVERSIDE STD. PLAN 500
 - 2 CONSTRUCT 8" P.V.C. SEWER MAIN PIPE AND BEDDING PER CITY OF RIVERSIDE STD. PLAN 452 CASE III
 - 3 CONSTRUCT 4" P.V.C. SEWER LATERAL PER CITY OF RIVERSIDE STD. PLAN 562



SEWER DATA TABLE

NO.	BEARING/Delta	RADIUS	LENGTH	TANGENT
1	16°40'04"	200.00	58.18	29.30
2	S 11°24'30" E		178.35	
3	S 60°28'52" E		36.76	
4	N 70°28'48" E		203.55	

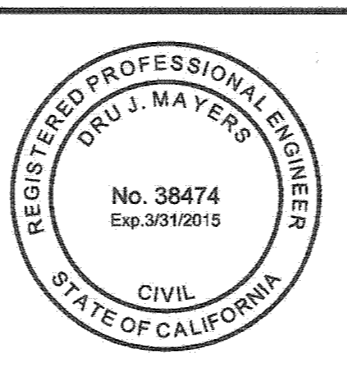
BENCH MARK:
 G2-M3 ELEV. = 779.743 (1971 ADJ.) NGVD 1929 DATUM
 PK NAIL & CITY ENGINEER TAG IN THE TOP OF THE
 EASTERLY CURB OF LA SIERRA AVE., APPROX. 40'
 NORTHERLY OF CENTERLINE OF PALM TERRACE LANE.

BASIS OF BEARINGS:
 THE BASIS OF BEARINGS HEREON IS THE CALIFORNIA
 STATE PLANE COORDINATE SYSTEM, ZONE 6, NAD 1983,
 AS DETERMINED LOCALLY BY THE LINE BETWEEN CORN
 STATIONS "CNP" AND "MLFP" BEING N76°36'24"E,
 91,032.89' (GRID) (EPOCH 2010.00).

UNDERGROUND SERVICE ALERT
 Call: TOLL FREE
 1-800-227-2600
 TWO WORKING DAYS
 BEFORE YOU DIG

MAYERS & ASSOCIATES
 CIVIL ENGINEERING, Inc.
 PLANNING • ENGINEERING • SURVEYING
 19 Spectrum Pointe Drive • Suite 409 Lake Forest, CA 92550
 (949) 599-0870 • (949) 599-0880 Fax • www.mayerscivil.com

Dr. J. Mayers 1/23/15
 DRU J. MAYERS DATE
 R.C.E. No. 38474 Exp. 3/31/15



CITY OF RIVERSIDE
 WATER DEPARTMENT
 APPROVED BY: *[Signature]* DATE: *[Signature]*

CITY OF RIVERSIDE, CALIFORNIA
 PUBLIC WORKS DEPARTMENT

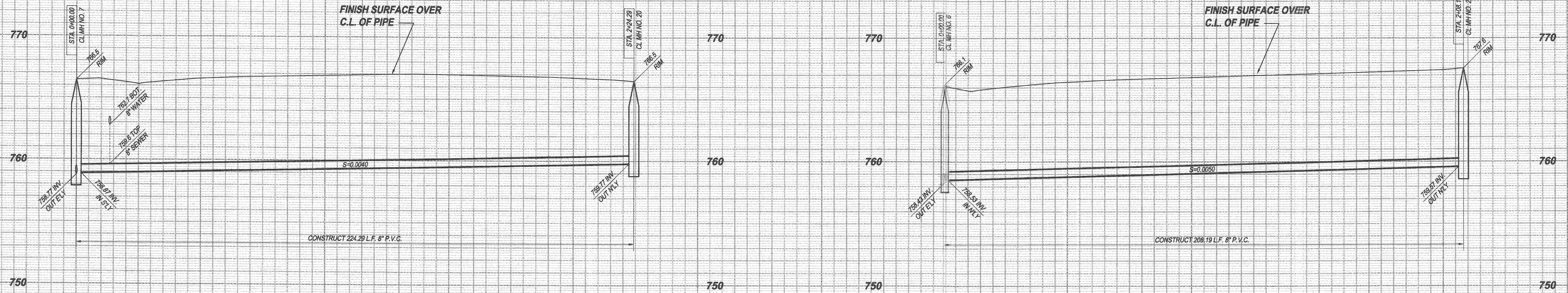
APPROVED BY: *[Signature]* DATE: *[Signature]*
 CITY ENGINEER / PUBLIC WORKS DIRECTOR

DESIGNED BY: R.J.G. DRAWN BY: J.F.G. CHECKED BY: D.J.M.

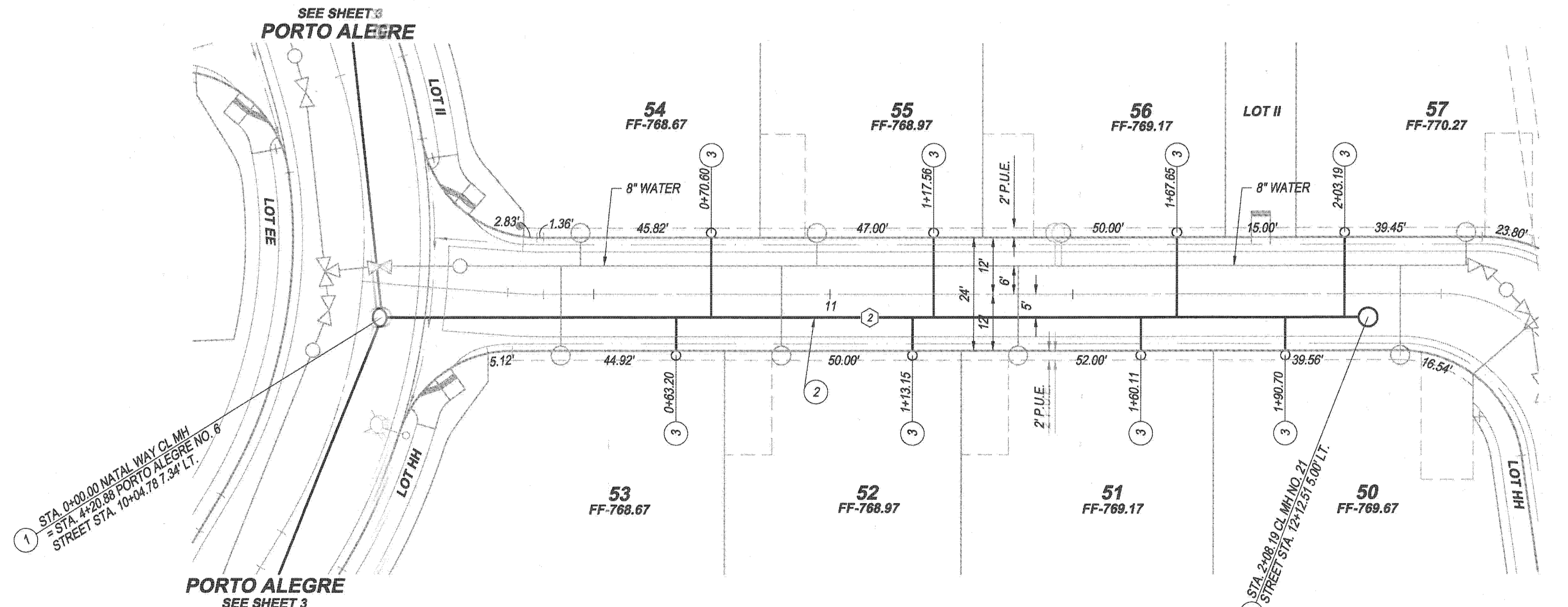
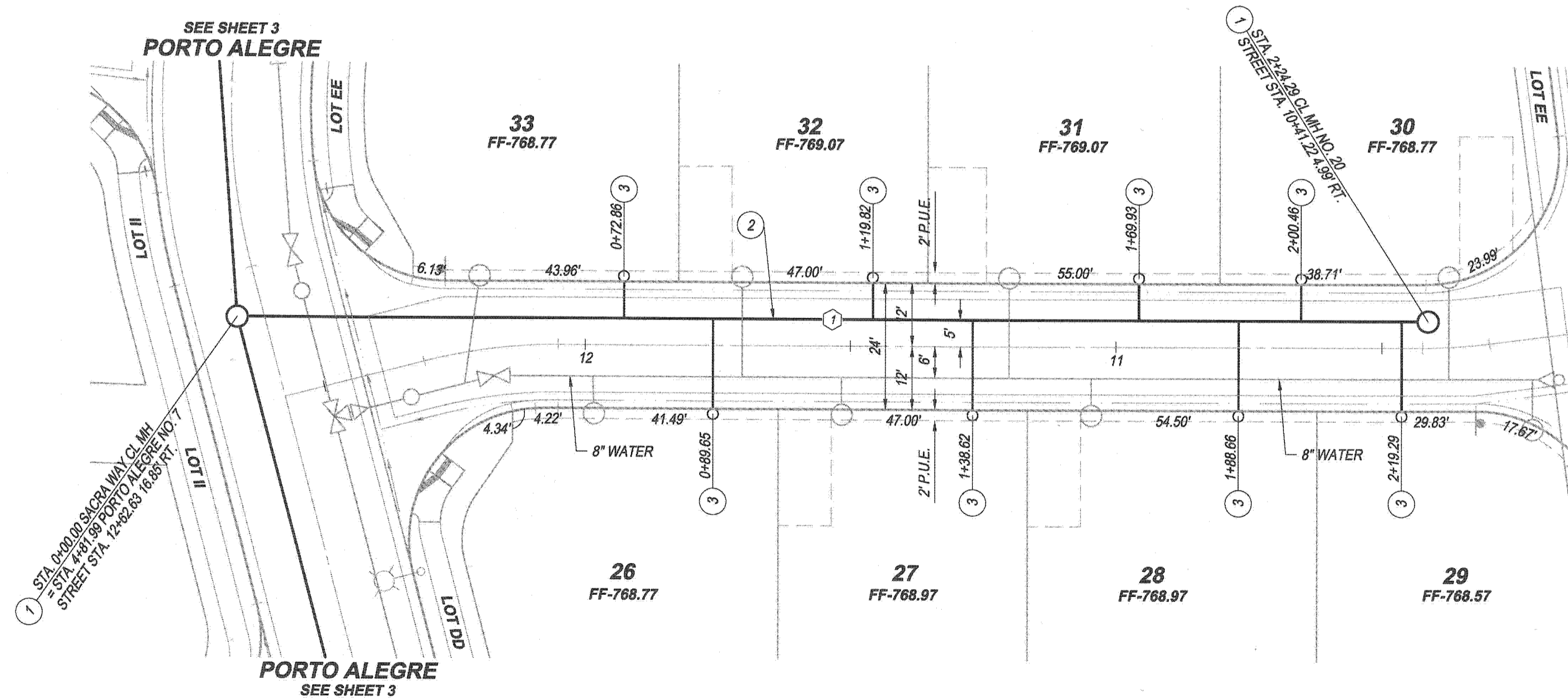
SEWER IMPROVEMENT PLANS
TRACT 34794
ALCALA WAY & VIA DEL CORSO

HORIZONTAL SCALE: PER PLAN VERTICAL SCALE: PER PLAN

ACCT. NO. 9205300611 453002XX
S-2049
 SHEET 7 OF 9

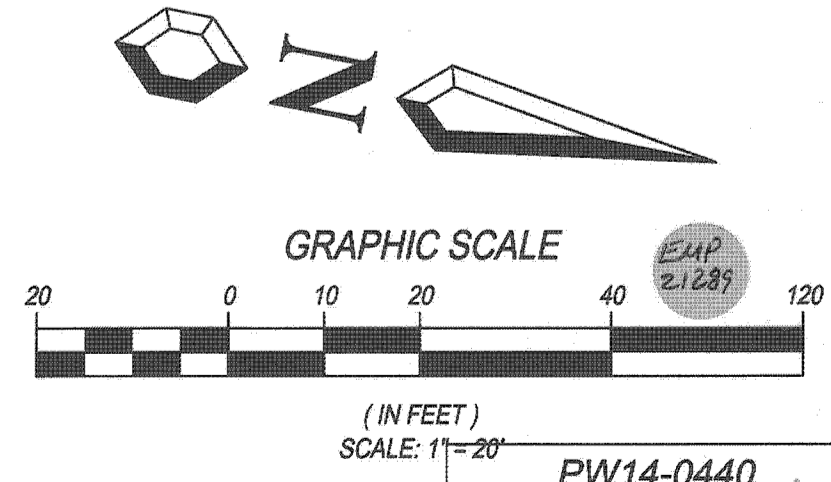


PROFILE SCALES
 HORIZ.: 1" = 20'
 VERT.: 1" = 4'



CONSTRUCTION NOTES

- 1 CONSTRUCT SEWER MANHOLE PER CITY OF RIVERSIDE STD. PLAN 500
- 2 CONSTRUCT 8" P.V.C. SEWER MAIN PIPE AND BEDDING PER CITY OF RIVERSIDE STD. PLAN 452 CASE III
- 3 CONSTRUCT 4" P.V.C. SEWER LATERAL PER CITY OF RIVERSIDE STD. PLAN 562



SEWER DATA TABLE

NO.	BEARING/Delta	RADIUS	LENGTH	TANGENT
1	N 13°32'33" W		224.29	
2	N 11°24'30" W		208.19	

BENCH MARK:
 G2-M3 ELEV. = 779.743 (1971 ADJ.) NGVD 1929 DATUM
 PK NAIL & CITY ENGINEER TAG IN THE TOP OF THE
 EASTERLY CURB OF LA SIERRA AVE., APPROX. 40'
 NORTHERLY OF CENTERLINE OF PALM TERRACE LANE.

BASIS OF BEARINGS:
 THE BASIS OF BEARINGS HEREON IS THE CALIFORNIA
 STATE PLANE COORDINATE SYSTEM, ZONE 6, NAD 1983,
 AS DETERMINED LOCALLY BY THE LINE BETWEEN CORNERS
 STATIONS "CNPP" AND "MLFP" BEING N76°36'24"E,
 91,032.88' (GRID) (EPOCH 2010.00).

UNDERGROUND SERVICE ALERT

Call/Toll FREE
 1-800-227-2600

TWO WORKING DAYS
 BEFORE YOU DIG

CAUTION: Remember that the USA Center notifies only those utilities belonging to the center. There could be other utilities present at the work site. The center will inform you of whom they will notify.

MAYERS & ASSOCIATES
 CIVIL ENGINEERING, Inc.
 PLANNING • ENGINEERING • SURVEYING
 15 Spectrum Pointe Drive • Suite 609 Lake Forest, CA 92550
 (949) 599-8870 • (949) 599-0880 Fax • www.mayerscivil.com

Dr. J. Mayers 1/23/15
 DRU J. MAYERS DATE
 R.C.E. No. 38474 Exp. 3/31/15



MARK	REVISIONS	APPR.	DATE

DESIGNED BY R.J.G. DRAWN BY J.R.C. CHECKED BY D.J.M.

CITY OF RIVERSIDE
 WATER DEPARTMENT

Att: [Signature] 01/23/2015
 APPROVED BY DATE

CITY OF RIVERSIDE, CALIFORNIA
 PUBLIC WORKS DEPARTMENT

APPROVED BY	BY	DATE	APPROVED BY
ENGINEERING MANAGER	<i>[Signature]</i>	2-6-15	CITY ENGINEER / PUBLIC WORKS DIRECTOR
TRAFFIC ENGINEERING	<i>[Signature]</i>	2-3-15	
CAPITAL PROJECTS	<i>[Signature]</i>	2-9-15	

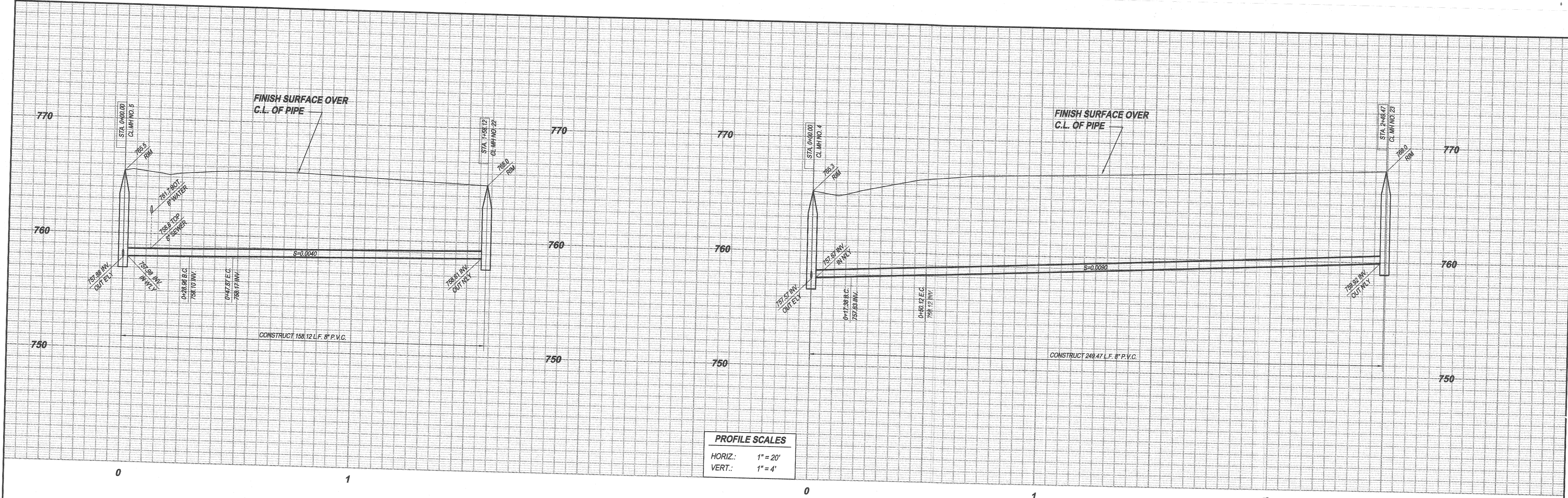
DATE 2/9/2015

SEWER IMPROVEMENT PLANS
TRACT 34794
SACRA WAY & NATAL WAY

STA. 0+00.00 TO STA. 2+34.29 SACRA WAY
 STA. 0+00.00 TO STA. 2+08.19 NATAL WAY

HORIZONTAL SCALE: PER PLAN VERTICAL SCALE: PER PLAN

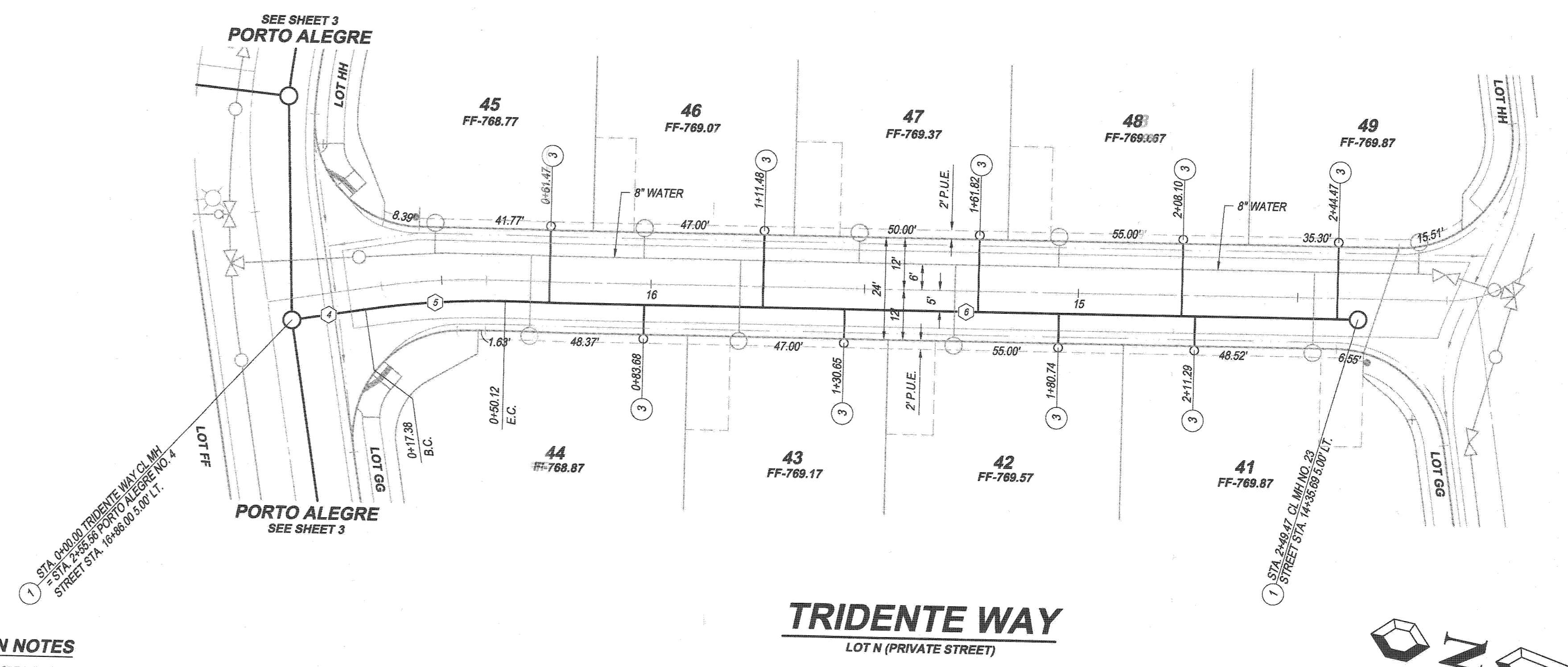
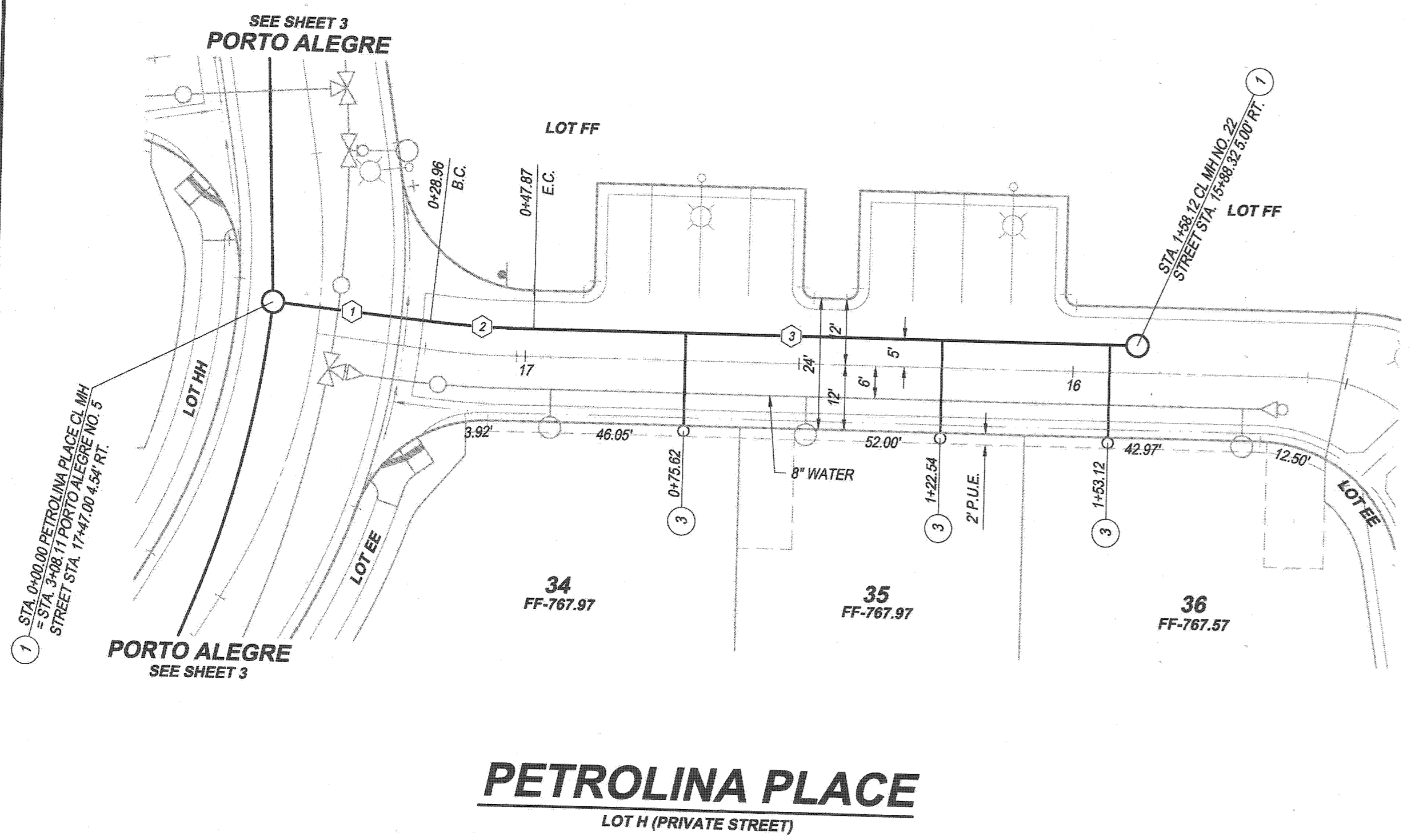
ACCT. NO. 9205300611 453002XX
S-2049
 SHEET 8 OF 9



PROFILE SCALES

HORIZ.: 1" = 20'

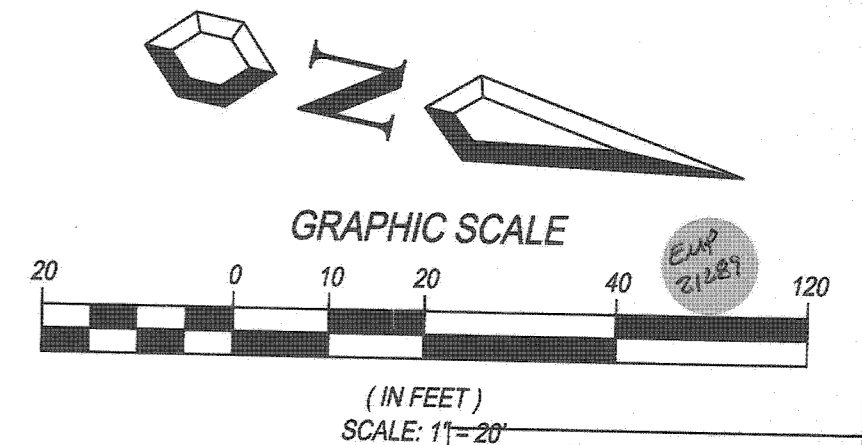
VERT.: 1" = 4'



PETROLINA PLACE
LOT H (PRIVATE STREET)

TRIDENTE WAY
LOT N (PRIVATE STREET)

- CONSTRUCTION NOTES**
- 1 CONSTRUCT SEWER MANHOLE PER CITY OF RIVERSIDE STD. PLAN 500
 - 2 CONSTRUCT 8" P.V.C. SEWER MAIN PIPE AND BEDDING PER CITY OF RIVERSIDE STD. PLAN 452 CASE III
 - 3 CONSTRUCT 4" P.V.C. SEWER LATERAL PER CITY OF RIVERSIDE STD. PLAN 562



SEWER DATA TABLE

BEARING/Delta	RADIUS	LENGTH	TANGENT
S 5°59'24" E	28.96	18.91	9.46
S 11°24'30" E	200.00	110.25	17.38
N 20°47'14" W	200.00	32.74	16.41
N 11°24'30" W	199.36		

BENCH MARK:
G2-M3 ELEV. = 779.743 (1971 ADJ.) NGVD 1929 DATUM
PK NAIL & CITY ENGINEER TAG IN THE TOP OF THE
EASTERLY CURB OF LA SIERRA AVE., APPROX. 40'
NORTHERLY OF CENTERLINE OF PALM TERRACE LANE.

BASIS OF BEARINGS:
THE BASIS OF BEARINGS HEREON IS THE CALIFORNIA
STATE PLANE COORDINATE SYSTEM, ZONE 6, NAD 1983,
AS DETERMINED LOCALLY BY THE LINE BETWEEN CORN
STATIONS "GNPP" AND "MLFP" BEING N76°36'24"E,
91,032.89' (GRID) (EPOCH 2010.00).

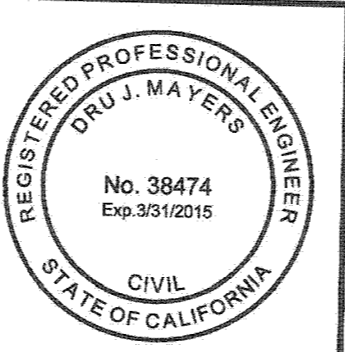
UNDERGROUND SERVICE ALERT

Call/Toll FREE
1-800-227-2600

TWO WORKING DAYS
BEFORE YOU DIG

MAYERS & ASSOCIATES
CIVIL ENGINEERING, Inc.
PLANNING • ENGINEERING • SURVEYING
19 Spectator Pointe Drive • Suite 609 • Lake Forest, CA 92650
(949) 599-0870 • (949) 599-0880 Fax • www.mayerscivil.com

Dr. J. Mayers 1/23/15
DATE
R.C.E. No. 38474 Exp. 3/31/15



CITY OF RIVERSIDE
WATER DEPARTMENT

[Signature]
APPROVED BY DATE

CITY OF RIVERSIDE, CALIFORNIA
PUBLIC WORKS DEPARTMENT

APPROVED BY	BY	DATE	APPROVED BY
ENGINEERING MANAGER	<i>[Signature]</i>	2-3-15	<i>[Signature]</i>
TRAFFIC ENGINEERING	<i>[Signature]</i>	2-3-15	
CAPITAL PROJECTS	<i>[Signature]</i>	2-3-15	

CITY ENGINEER / PUBLIC WORKS DIRECTOR
DATE 2/3/15

SEWER IMPROVEMENT PLANS
TRACT 34794
PETROLINA PLACE & TRIDENTE WAY

STA. 0+00.00 TO STA. +158.12 PETROLINA PLACE
STA. 0+00.00 TO STA. 2+49.47 TRIDENTE WAY

HORIZONTAL SCALE: PER PLAN VERTICAL SCALE: PER PLAN

ACCT. NO. 9205300611 453002XX

S-2049

SHEET 9 OF 9