

GENERAL NOTES

- CONSTRUCTION SHALL BE IN ACCORDANCE WITH THE CITY OF RIVERSIDE STANDARD DRAWINGS AND STANDARD SPECIFICATIONS FOR PUBLIC WORKS CONSTRUCTION, CURRENT EDITION.
- EXISTING UTILITIES SHOWN ON THIS PLAN ARE PLOTTED FROM PUBLIC RECORDS. THE CONTRACTOR IS REQUIRED TO TAKE DUE PRECAUTIONARY MEASURES TO LOCATE AND PROTECT ALL UTILITIES WHETHER OR NOT SHOWN ON THIS PLAN.
- CONTRACTOR SHALL POTHOLE AND VERIFY ALL LOCATIONS AND ELEVATIONS OF UTILITIES PRIOR TO THE START OF CONSTRUCTION TO ELIMINATE INTERFERENCE WITH NEW CONSTRUCTION.
- PRIME CONTRACTOR BIDDING THIS WORK SHALL HAVE A CLASS "A, C-34 OR C-42" LICENSE.
- ALL ELEVATIONS SHOWN ON THIS PLAN SHALL BE STAKED IN THE FIELD.
- BACKFILLING OF TRENCH AND PAVEMENT REPLACEMENT SHALL BE DONE PER CITY OF RIVERSIDE STANDARD DRAWING 453 EXCEPT AS INDICATED ON THESE PLANS AND SPECIFICATIONS.
- ANY WORK THAT WILL CAUSE DAMAGE TO THE DETECTOR LOOPS SHALL NOT BE PERFORMED UNTIL TRAFFIC SIGNAL MAINTENANCE PERSONNEL HAVE BEEN NOTIFIED AND THE NECESSARY TIMING ADJUSTMENTS ARE MADE TO MAINTAIN SIGNAL OPERATION.
- CONTRACTOR SHALL RELOCATE ALL TRAFFIC SIGNS, REMOVED DUE TO CONSTRUCTION, PER CITY STANDARDS.

SPECIFIC CONSTRUCTION NOTES

NUMBERS ABOVE 100 IN A HEXAGON ON THE PLAN REFER TO THE RESPECTIVE STANDARD DRAWING AND SHALL BE CONSTRUCTED ACCORDINGLY. UNLESS MODIFICATIONS ARE NOTED ON THE PLAN OR COVER SHEET, ANY NUMBER SHOWN BELOW THE STANDARD DRAWING NUMBER INDICATES THE SPECIFIC ALTERNATE TO BE CONSTRUCTED.

500 (M) REMOVE AND REPLACE EXISTING MANHOLE.

452 (M) PIPE BEDDING SHALL BE TWO-SACK SLURRY TO TOP OF PIPE PLUS ONE FOOT CLASS II BASE.

453 (M) TRENCH BACKFILL SHALL BE PER STANDARD DRAWING No. 453, AS MODIFIED HEREIN-12 1/2" FULL DEPTH ASPHALT CONCRETE, OVER SUBGRADE, 12" THICK, COMPACTED TO 95% RELATIVE COMPACTION. COLD MILL OR GRIND ASPHALT CONCRETE 1" WIDE, OUTSIDE OF TRENCH, NOT REQUIRED FOR THIS PROJECT.

1 ABANDON EXISTING SEWER MANHOLE IN PLACE.

2 EXISTING SEWER TO REMAIN IN SERVICE.

3 ABANDON EXISTING SEWER PIPE IN PLACE.

4 CONNECT EXISTING SERVICE LATERALS TO PROPOSED 36" OR 27" VCP PER STANDARD DRAWING 562.

5 REMOVE AND REPLACE EXISTING 24".

6 CONSTRUCT SHELF OVER EXISTING 33" VCP AND CHANNEL MANHOLE TO ACCOMMODATE PROPOSED 36" PIPE TO THE EDGE OF THE EXISTING PIPE WITHOUT REMOVING IT. 33" PIPE WILL BE REMOVED WHEN 36" PIPE IS APPROVED BY THE ENGINEER.

7 PROJECT IN PLACE PRIOR TO CONSTRUCTION VERIFY LOCATION, IF RELOCATION REQUIRED, GIVE CITY WATER FORCES 15 DAYS NOTICE.

8 LEAVE A 1" STUB WITH JOINT FOR FUTURE CONNECTION.

9 PROPOSED 27" VCP SHALL BE BUILT AND IN OPERATION PRIOR TO PILOT TUBE JACKING OPERATIONS.

10 MANHOLE SHALL BE CONSTRUCTED AFTER PILOT TUBE MICROTUNNELING OPERATIONS ARE FINISHED.

11 REMOVE EXISTING MANHOLE AND REMOVE AND REPLACE EXISTING 12" VCP PIPE TO CONNECT TO PROPOSED 72-INCH MANHOLE AT STATION 35+07.00.

12 PROTECT AND SUPPORT IN PLACE.

RIVERSIDE CALIFORNIA

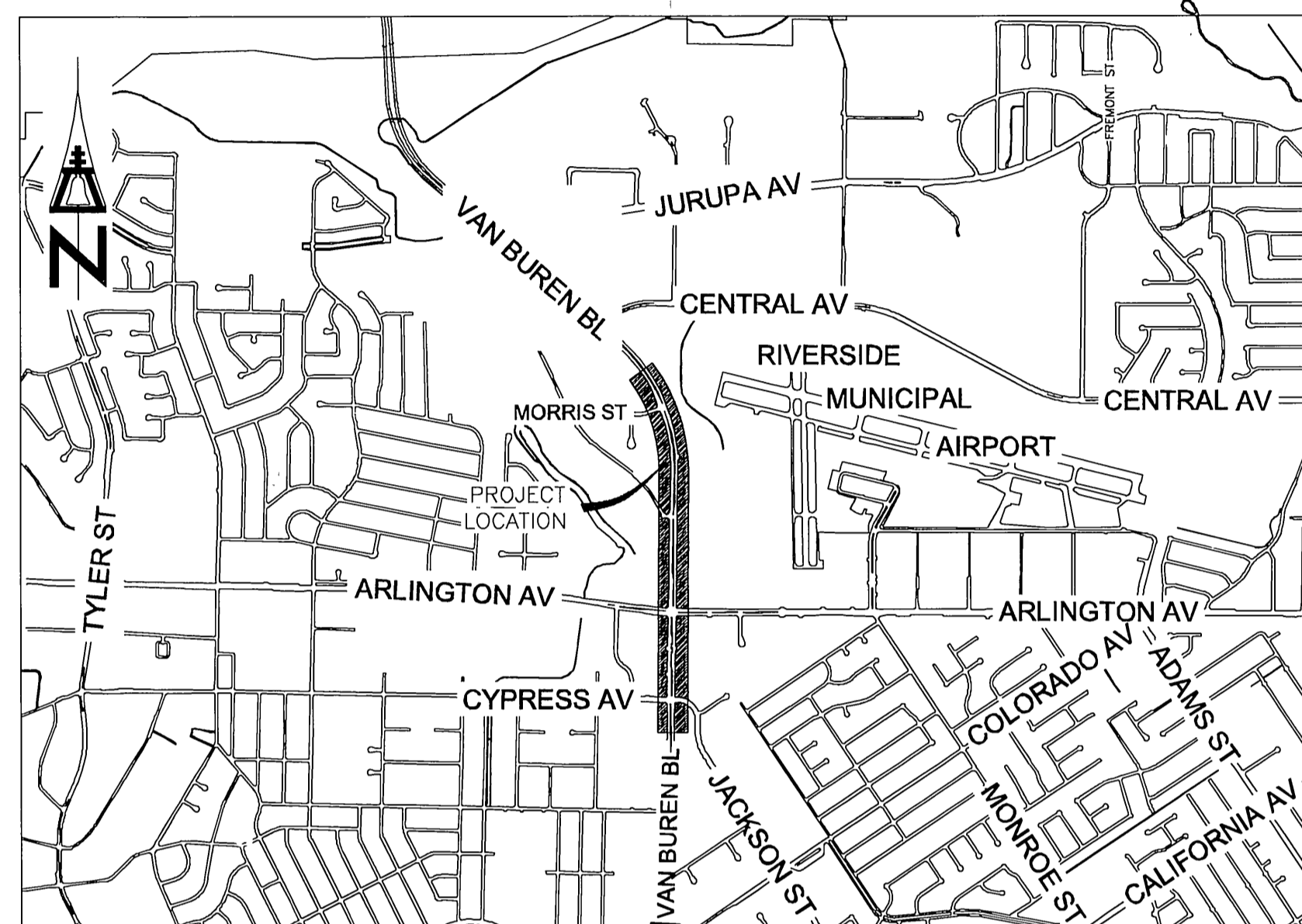
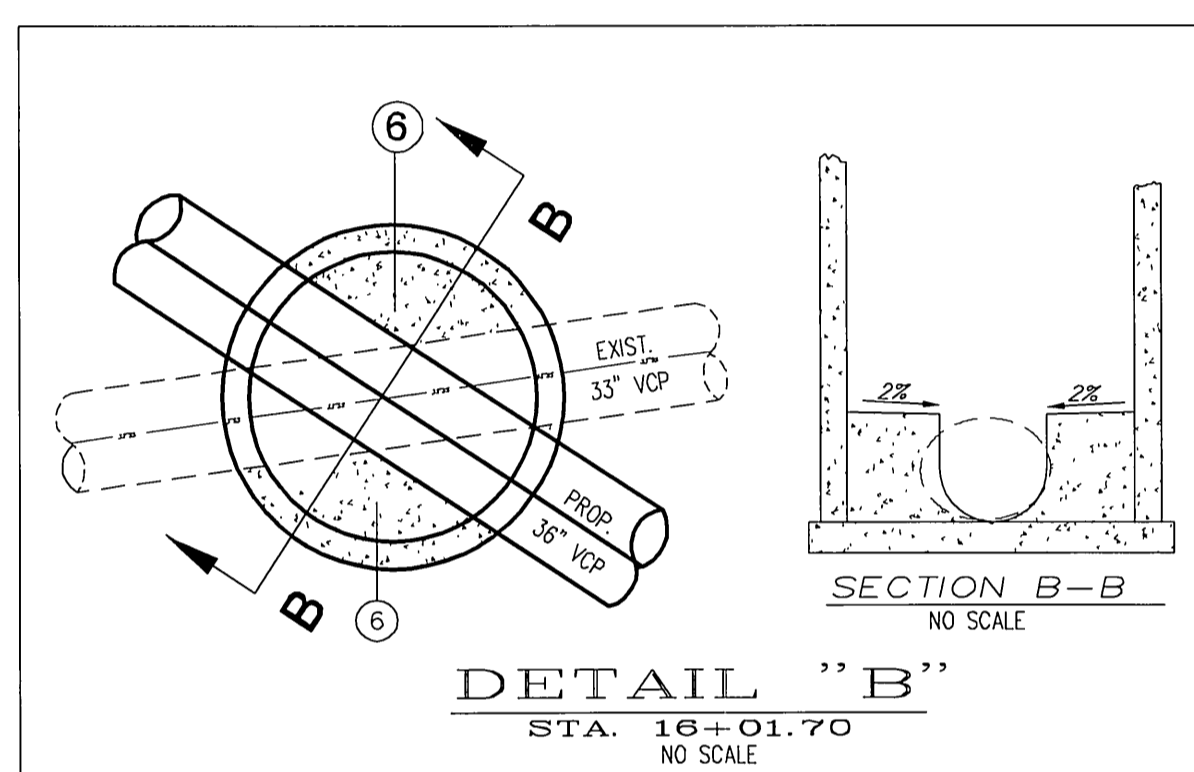
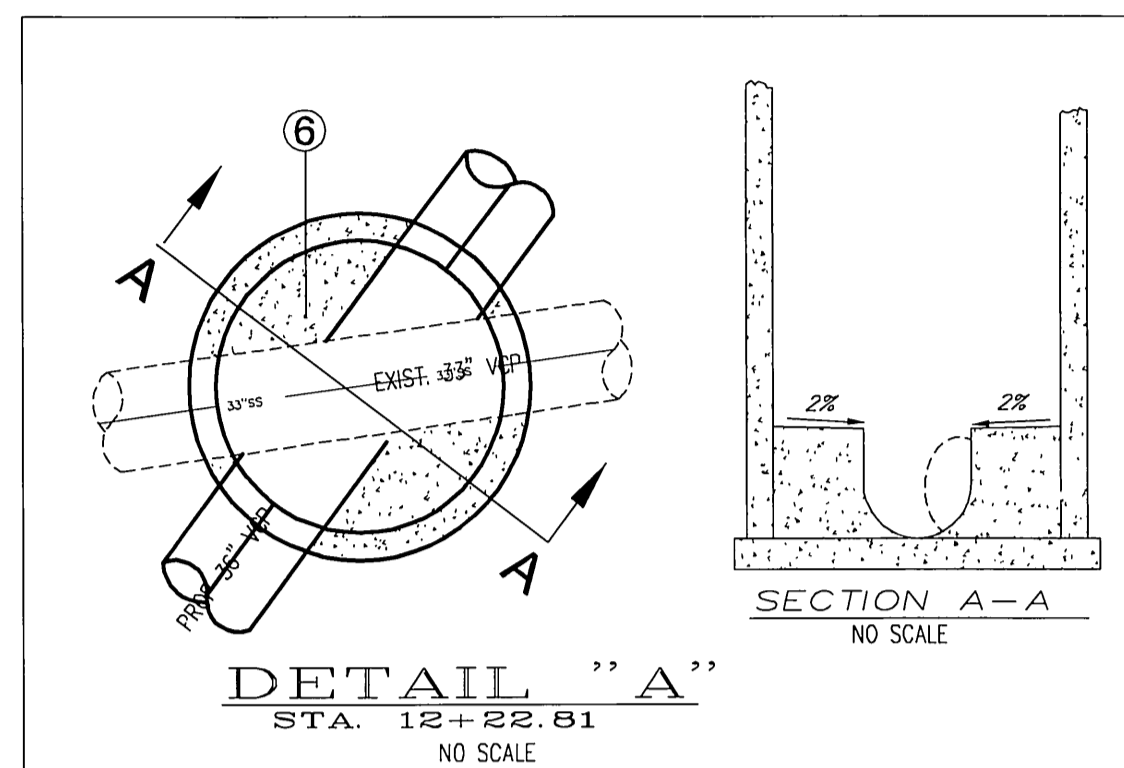
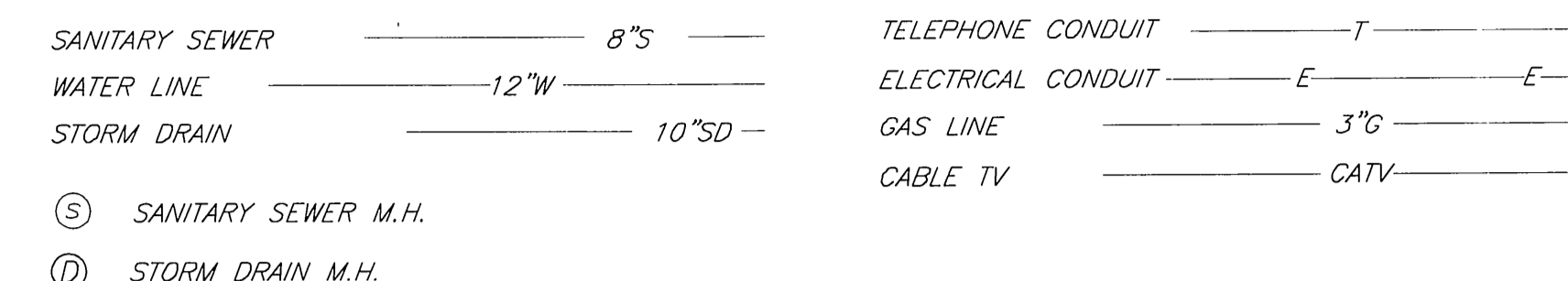


PUBLIC WORKS DEPARTMENT
VAN BUREN SEWER

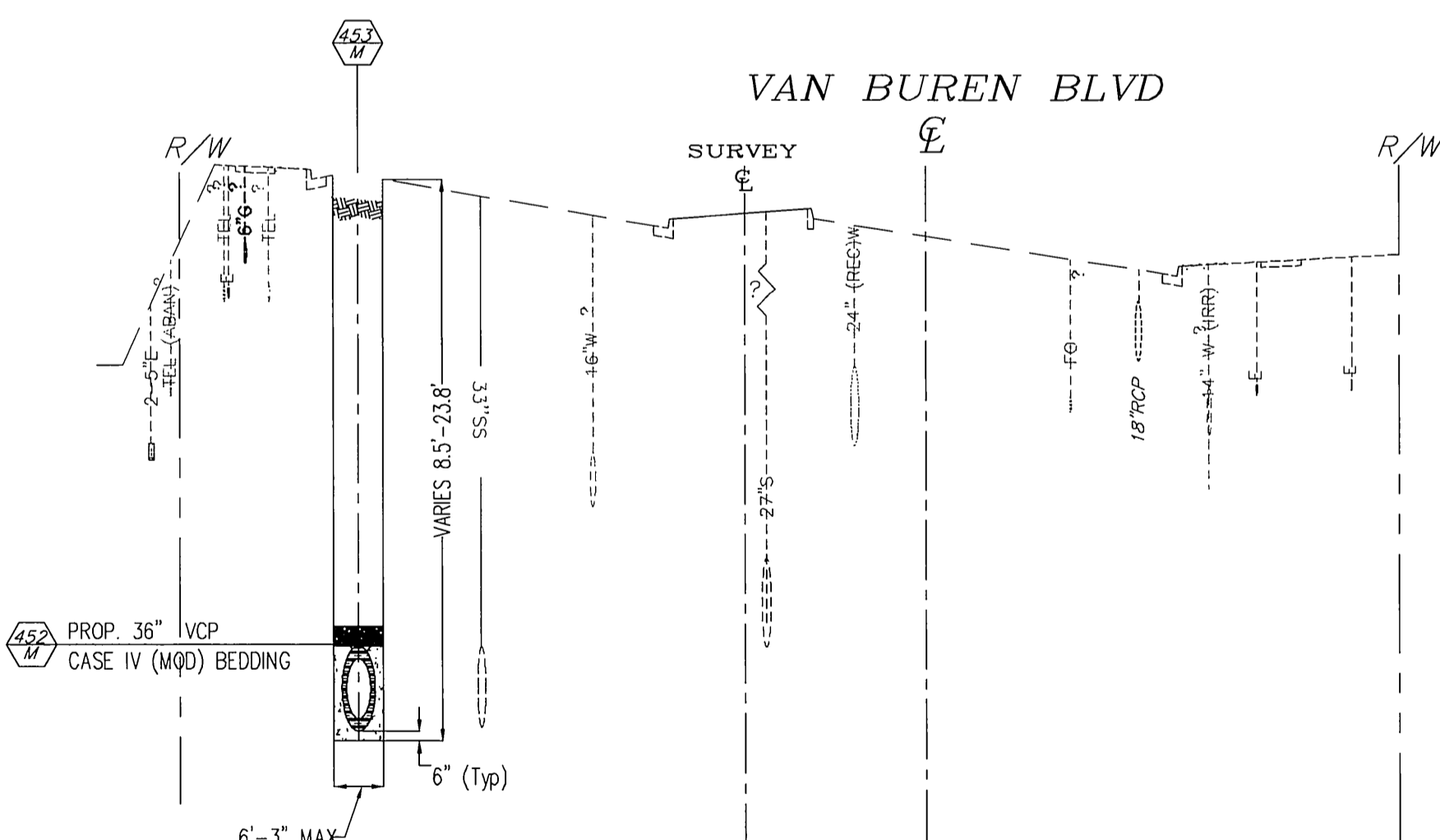
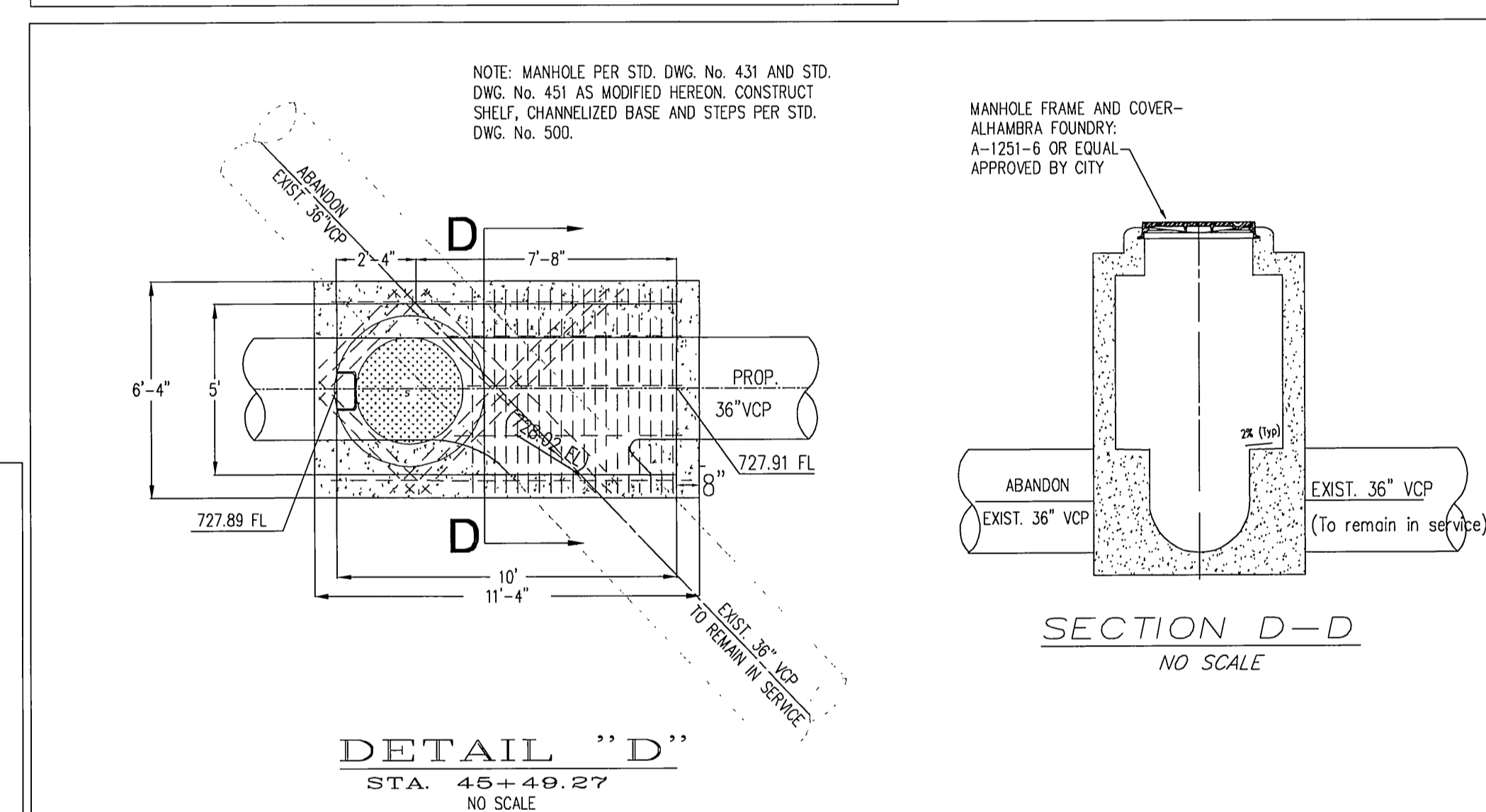
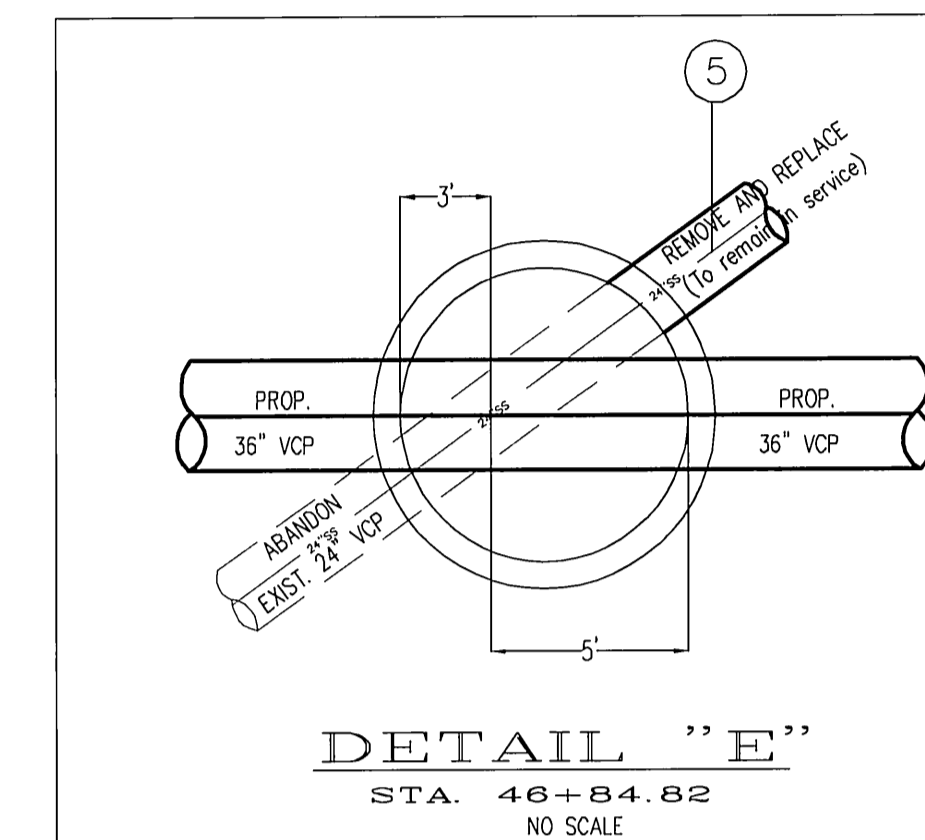
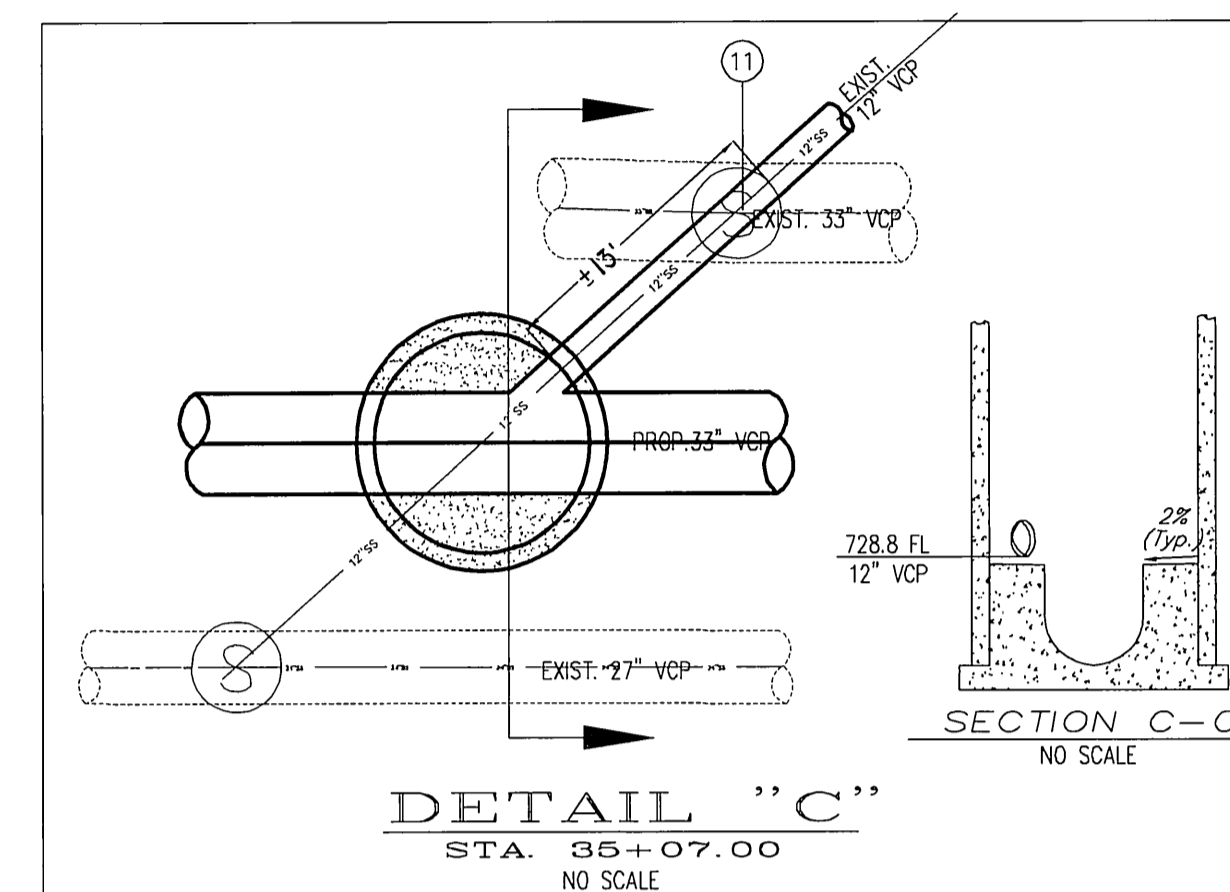
FROM CYPRESS AVENUE
TO MORRIS STREET

EXISTING UNDERGROUND & TOPOGRAPHY LEGEND

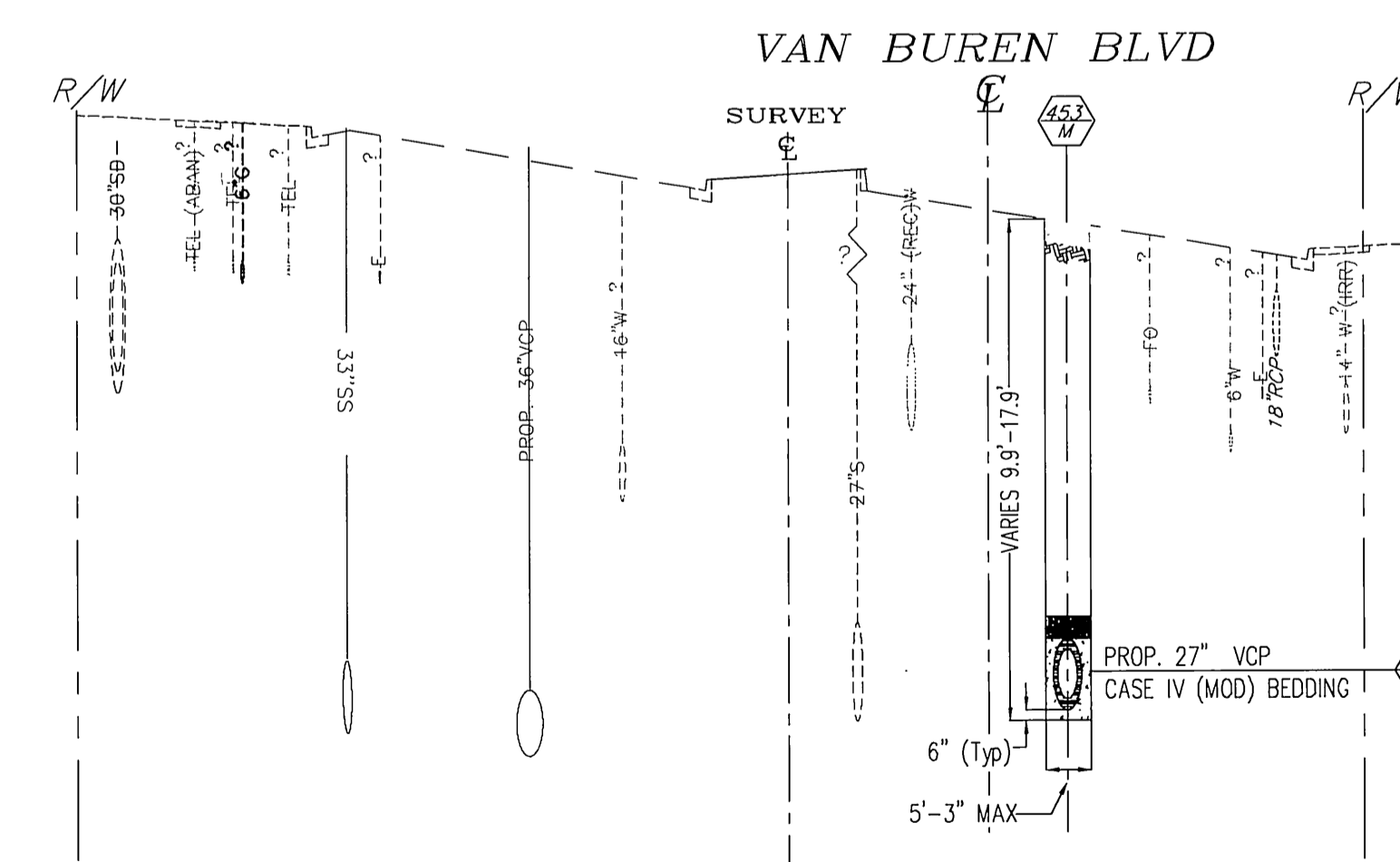
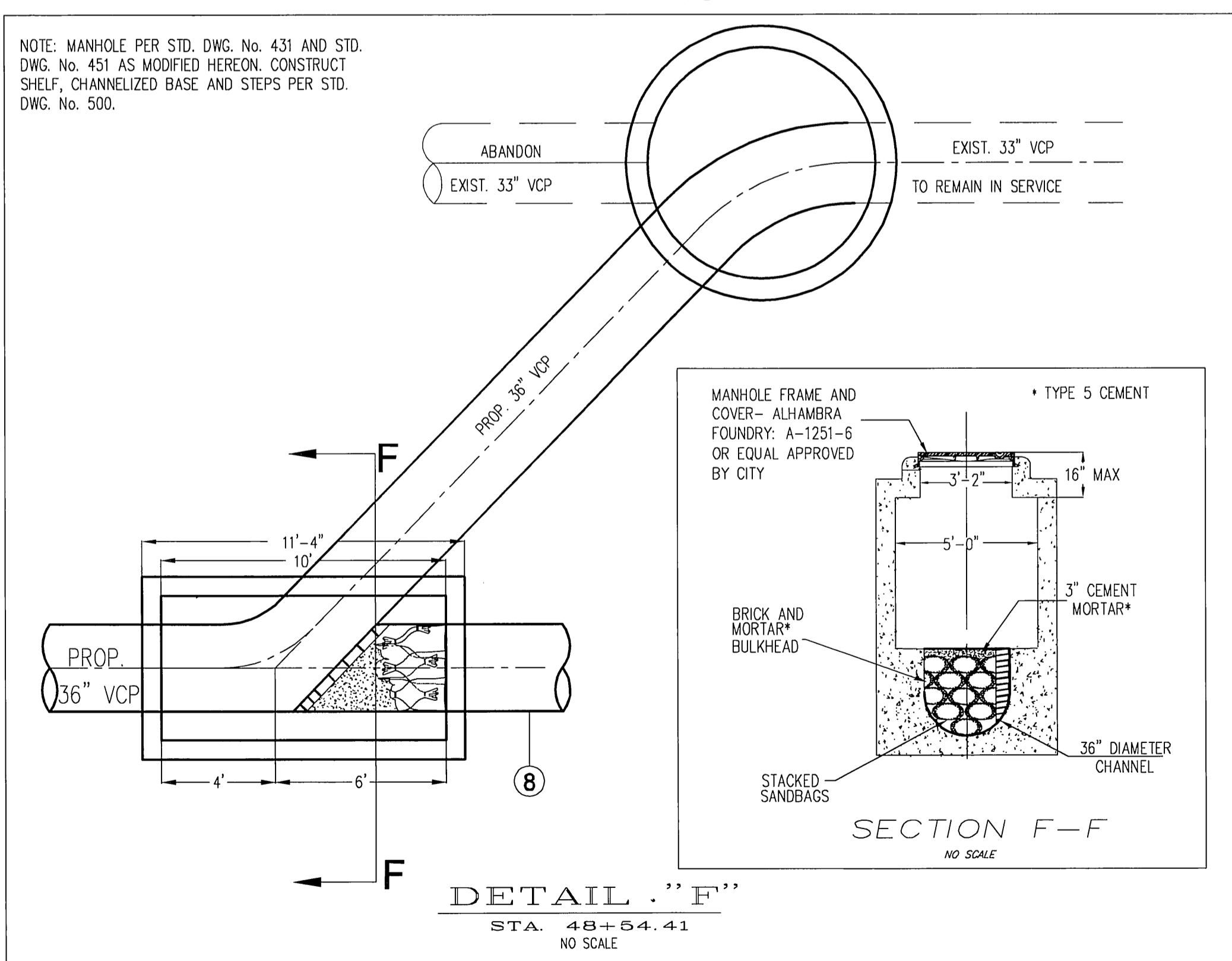
EXISTING UNDERGROUND UTILITIES:



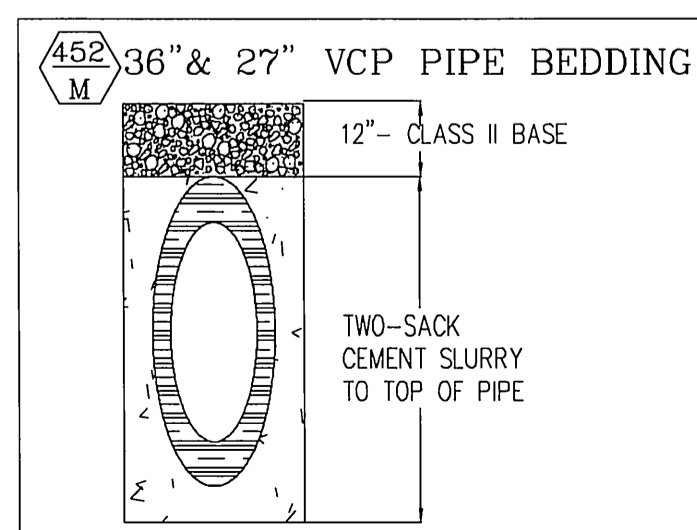
PROJECT LOCATION MAP
NTS



PROPOSED 36" SEWER TYPICAL CROSS SECTION



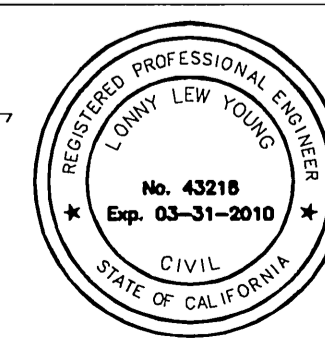
PROPOSED 27" SEWER TYPICAL CROSS SECTION



IMPORTANT NOTICE
Section 4216/4217 of the Government Code requires a Dig Alert Identification Number to be issued before a permit to excavate will be void. For your Dig Alert ID, Number call CALL TOLL FREE 48 HOURS BEFORE YOU DIG UNDERGROUND SERVICE ALERT 1-800-227-2600

BENCHMARK
G1-P2 P.K. MAIL AND CITY ENGINEER TAG IN THE BASE OF A TRAFFIC SIGNAL AT THE SOUTHWEST CORNER OF VAN BUREN BLVD. AND ARLINGTON AVE.
ELEV. 736.804

ENGINEER IN RESPONSIBLE CHARGE
LARRY LEW YOUNG
DATE: 12/22/2008



APPROVED BY	BY DATE	APPROVED BY	BY DATE
PRINCIPAL ENGINEER	CS 12/22/08	INSPECTOR	CS 12/22/08
INSPECTOR		SURVEYOR	
MARK	REVISIONS	APPR.	DATE
DESIGNED BY: MLAMINGS	DRAWN BY: MLAMINGS	CHECKED BY: LYOUNG	

CITY OF RIVERSIDE, CALIFORNIA
PUBLIC WORKS DEPARTMENT
APPROVED BY: [Signature] Approved as part of R-3965
DATE: 12/22/08

VAN BUREN SEWER
FROM CYPRESS AVENUE
TO MORRIS STREET
SCALE: AS SHOWN

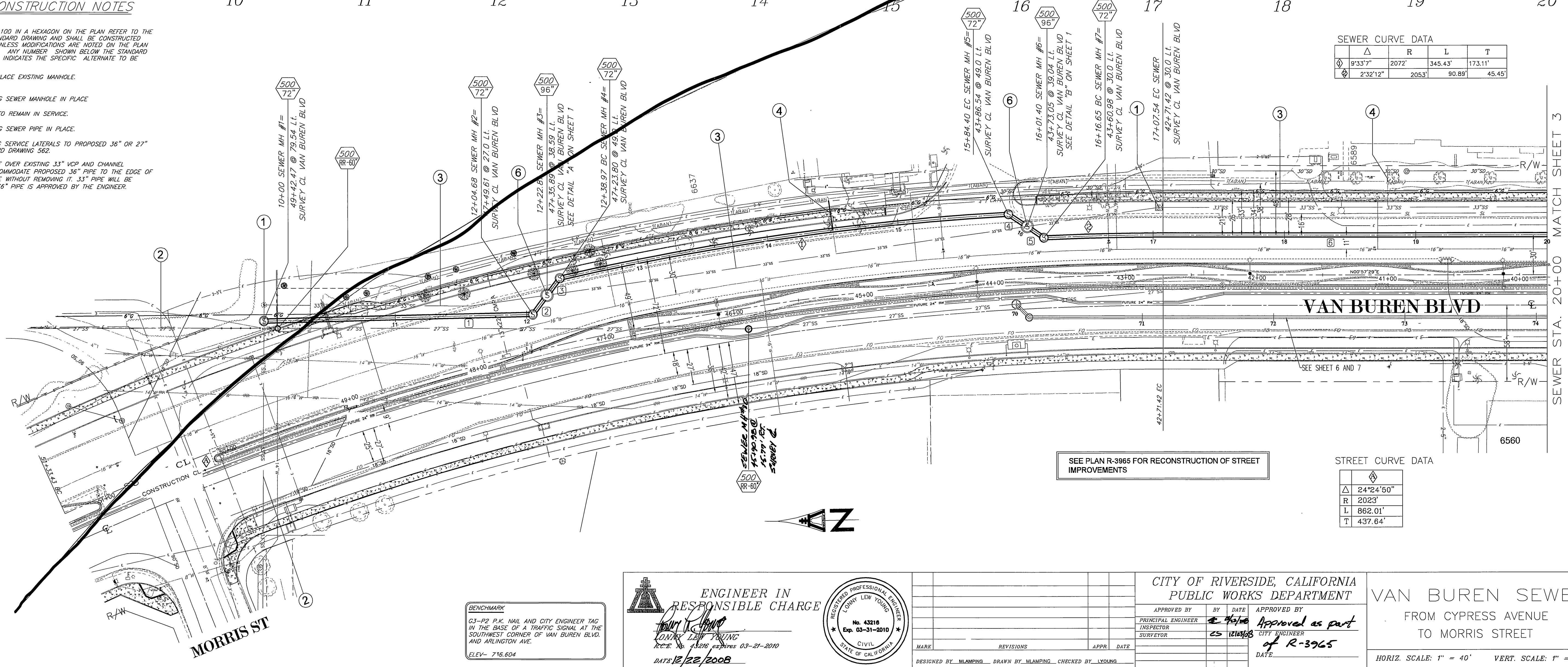
ACC. No. 9831423203-440301XX
W.O. 0906679
S-2064
SHEET 1 OF 7

IMPORTANT NOTICE
 Section 4216/4217 of the Government Code requires a Dig Alert Identification Number to be issued before a "Permit to Excavate" will be valid. For your Dig Alert I.D. Number call CALL TOLL FREE 48 HOURS BEFORE YOU DIG UNDERGROUND SERVICE ALERT 1-800-227-2600



SPECIFIC CONSTRUCTION NOTES

- NUMBERS ABOVE 100 IN A HEXAGON ON THE PLAN REFER TO THE RESPECTIVE STANDARD DRAWING AND SHALL BE CONSTRUCTED ACCORDINGLY. UNLESS MODIFICATIONS ARE NOTED ON THE PLAN OR COVER SHEET, ANY NUMBER SHOWN BELOW THE STANDARD DRAWING NUMBER INDICATES THE SPECIFIC ALTERNATE TO BE CONSTRUCTED.
- 500 RR-50 REMOVE AND REPLACE EXISTING MANHOLE.
- 1 ABANDON EXISTING SEWER MANHOLE IN PLACE.
- 2 EXISTING SEWER TO REMAIN IN SERVICE.
- 3 ABANDON EXISTING SEWER PIPE IN PLACE.
- 4 CONNECT EXISTING SERVICE LATERALS TO PROPOSED 36" OR 27" VCP PER STANDARD DRAWING 562.
- 5 CONSTRUCT SHELVE OVER EXISTING 33" VCP AND CHANNEL MANHOLE TO ACCOMMODATE PROPOSED 36" PIPE TO THE EDGE OF THE EXISTING PIPE WITHOUT REMOVING IT. 33" PIPE WILL BE REMOVED WHEN 36" PIPE IS APPROVED BY THE ENGINEER.



SEWER LINE DATA

	L	BEARING
1	204.68'	S02°27'45"E
2	18.13'	N52°07'39"W
3	16.16'	N52°07'39"W
4	16.87'	N34°09'46"W
5	15.38'	N34°09'46"W
6	359.11'	S05°57'29"W

SEWER CURVE DATA

	Δ	R	L	T
1	9°33'7"	2072'	345.43'	173.11'
2	2°32'12"	2053'	90.89'	45.45'

STREET CURVE DATA

	Δ	R	L	T
1	24°24'50"	2023'	862.01'	437.64'

SEE PLAN R-3965 FOR RECONSTRUCTION OF STREET IMPROVEMENTS

ENGINEER IN RESPONSIBLE CHARGE
 LARRY LEE YOUNG
 No. 43216
 Exp. 03-31-2010
 CIVIL
 STATE OF CALIFORNIA
 DATE: 12/22/2008

REVISIONS

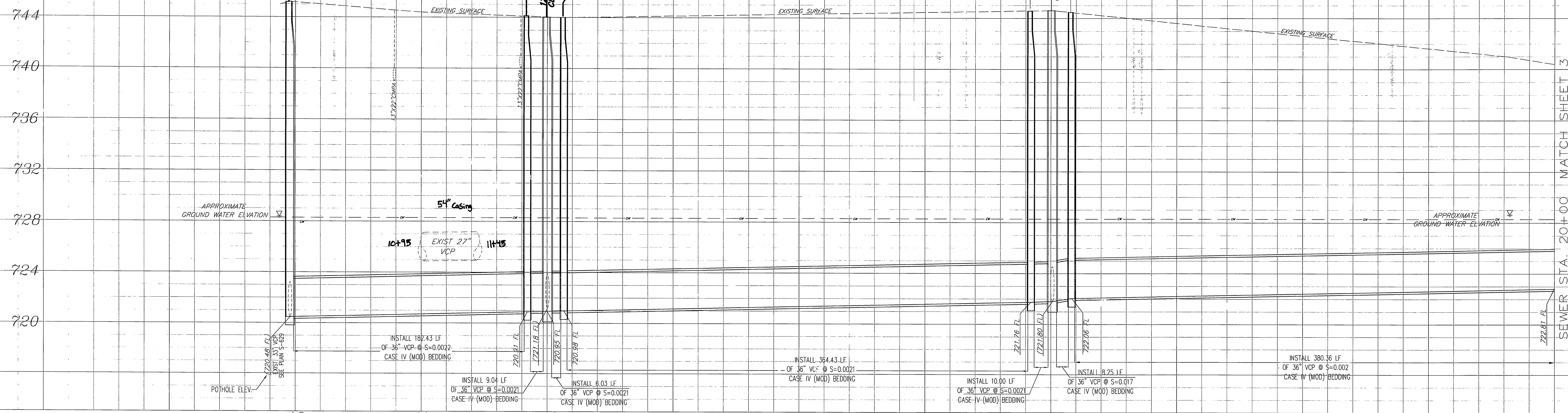
NO.	DESCRIPTION	DATE
1	ISSUED FOR PERMIT	12/16/08
2	APPROVED AS PART OF R-3965	12/22/08

**CITY OF RIVERSIDE, CALIFORNIA
 PUBLIC WORKS DEPARTMENT**
 APPROVED BY: [Signature] DATE: 12/16/08
 INSPECTOR: [Signature] DATE: 12/16/08
 SURVEYOR: [Signature] DATE: 12/16/08

**VAN BUREN SEWER
 FROM CYPRESS AVENUE
 TO MORRIS STREET**
 HORIZ. SCALE: 1" = 40' VERT. SCALE: 1" = 4'

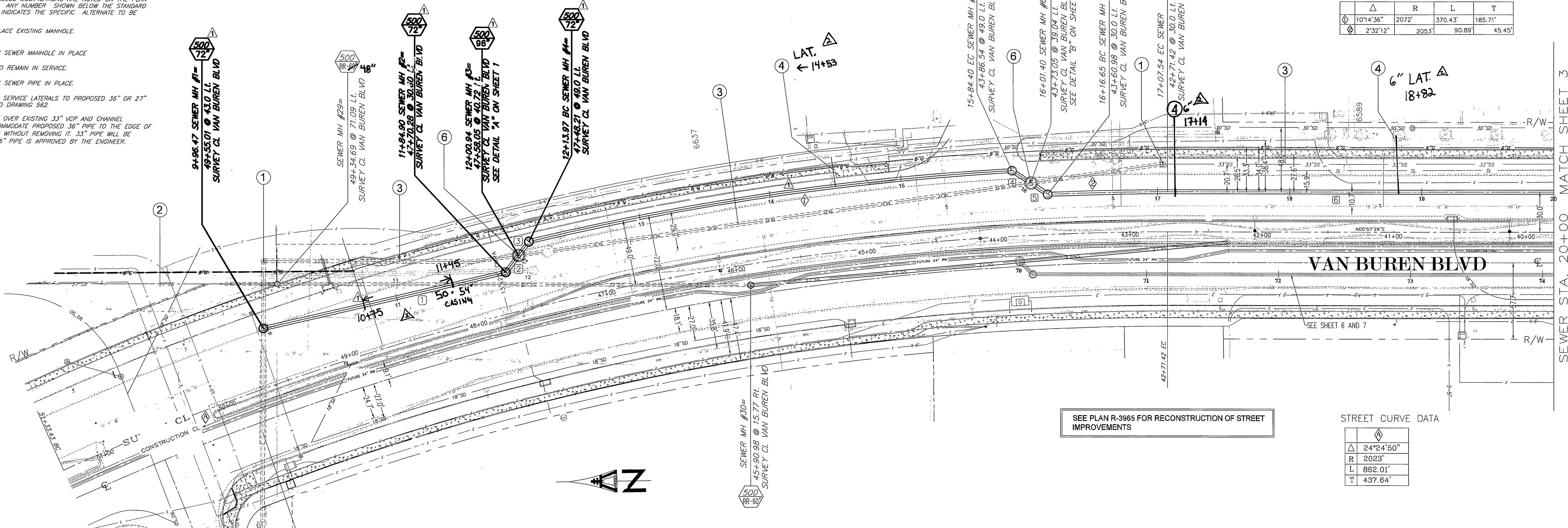
ACC. No. 9831423203-440301XX
 W.O. 0906679
S-2064
 SHEET 2 OF 7

IMPORTANT NOTICE
 Section 4216/4217 of the Government Code requires a Dig Alert Identification Number to be issued before a "Permit to Excavate" will be valid. For your Dig Alert I.D. Number call CALL TOLL FREE 48 HOURS BEFORE YOU DIG UNDERGROUND SERVICE ALERT 1-800-227-2600



SPECIFIC CONSTRUCTION NOTES

- NUMBERS ABOVE 100 IN A HEXAGON ON THE PLAN REFER TO THE RESPECTIVE STANDARD DRAWING AND SHALL BE CONSTRUCTED ACCORDINGLY. UNLESS MODIFICATIONS ARE NOTED ON THE PLAN OR COVER SHEET. ANY NUMBER SHOWN BELOW THE STANDARD DRAWING NUMBER INDICATES THE SPECIFIC ALTERNATE TO BE CONSTRUCTED.
- 500 500 REMOVE AND REPLACE EXISTING MANHOLE.
- 1 ABANDON EXISTING SEWER MANHOLE IN PLACE
- 2 EXISTING SEWER TO REMAIN IN SERVICE.
- 3 ABANDON EXISTING SEWER PIPE IN PLACE.
- 4 CONNECT EXISTING SERVICE LATERALS TO PROPOSED 36" OR 27" VCP PER STANDARD DRAWING 562.
- 5 CONSTRUCT SHELFF OVER EXISTING 33" VCP AND CHANNEL MANHOLE TO ACCOMMODATE PROPOSED 36" PIPE TO THE EDGE OF THE EXISTING PIPE WITHOUT REMOVING IT. 33" PIPE WILL BE REMOVED WHEN 36" PIPE IS APPROVED BY THE ENGINEER.



SEWER LINE DATA

L	BEARING
188.43'	S12°12'50"E
16.04'	N52°07'39"W
13.03'	N52°07'39"W
17.00'	N34°09'46"W
15.38'	N34°09'46"W
359.11'	S05°57'29"W

SEWER CURVE DATA

Δ	R	L	T
101°4'36"	2072'	370.43'	185.71'
2°32'12"	2053'	90.89'	45.45'

STREET CURVE DATA

Δ	R	L	T
24°24'50"	2023'	862.01'	437.64'

SEE PLAN R-3965 FOR RECONSTRUCTION OF STREET IMPROVEMENTS

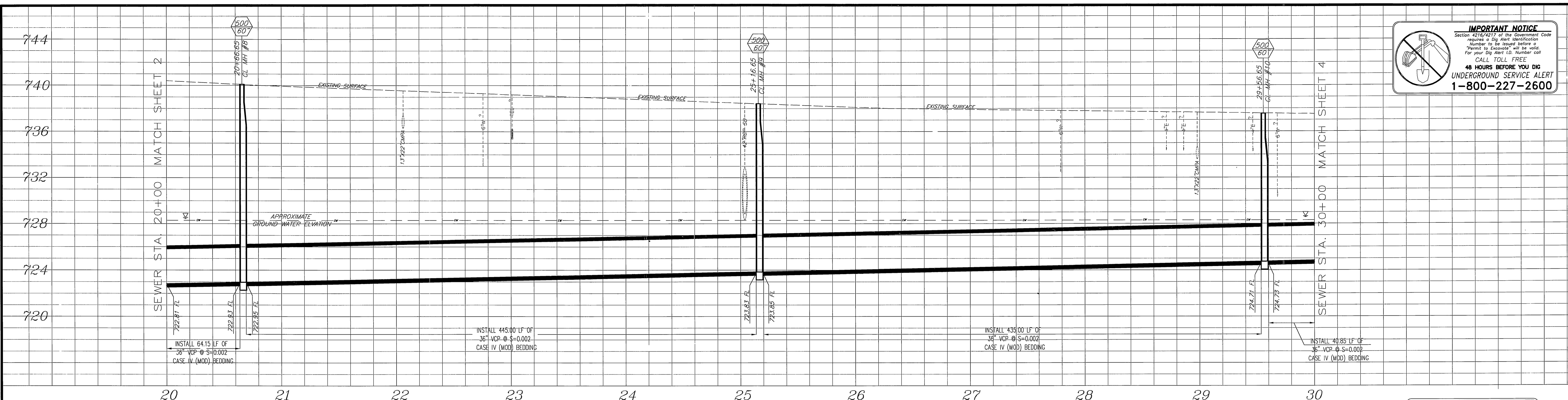
ENGINEER IN RESPONSIBLE CHARGE
 ROAD & LEW POINZ
 R.C.E. No. 43278 expires 03-21-2010
 DATE: 12/23/2007

CITY OF RIVERSIDE, CALIFORNIA PUBLIC WORKS DEPARTMENT
 As-built
 SHEET 2A SUPERSEDES SHEET 2
 REVISED ALIGNMENT STA. 9+96.47 TO 12+13.97

APPROVED BY: [Signature]
 DATE: [Date]
 APPROVED AS PART OF R-3965

VAN BUREN SEWER FROM CYPRESS AVENUE TO MORRIS STREET
 ACC. No. 9831423203-440301XX
 W.O. 0906679
 S-2064
 SHEET 2A OF 7

IMPORTANT NOTICE
 Section 4216/4217 of the Government Code requires a Dig Alert Identification Number to be issued before a "Permit to Excavate" will be valid. For your Dig Alert I.D. Number call CALL TOLL FREE 48 HOURS BEFORE YOU DIG UNDERGROUND SERVICE ALERT 1-800-227-2600



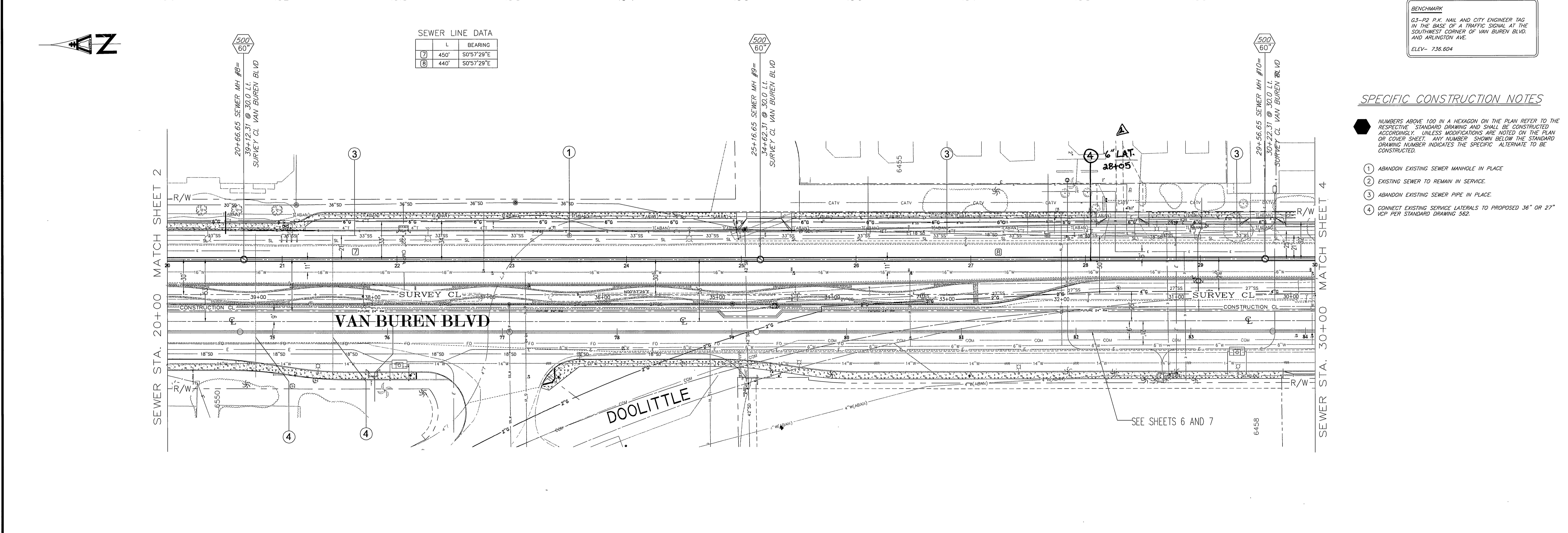
SEWER LINE DATA

L	BEARING
⑦ 450'	S0°57'29"E
⑧ 440'	S0°57'29"E

BENCHMARK
 G3-P2 P.K. NAIL AND CITY ENGINEER TAG IN THE BASE OF A TRAFFIC SIGNAL AT THE SOUTHWEST CORNER OF VAN BUREN BLVD. AND ARLINGTON AVE.
 ELEV= 736.604

SPECIFIC CONSTRUCTION NOTES

- ① ABANDON EXISTING SEWER MANHOLE IN PLACE
- ② EXISTING SEWER TO REMAIN IN SERVICE.
- ③ ABANDON EXISTING SEWER PIPE IN PLACE.
- ④ CONNECT EXISTING SERVICE LATERALS TO PROPOSED 36" OR 27" VCP PER STANDARD DRAWING 582.



SEE PLAN R-3965 FOR RECONSTRUCTION OF STREET IMPROVEMENTS

ENGINEER IN RESPONSIBLE CHARGE
 LARRY LEW YOUNG
 No. 43216
 Exp. 03-31-2010
 CIVIL
 STATE OF CALIFORNIA
 DATE: 12/22/2008



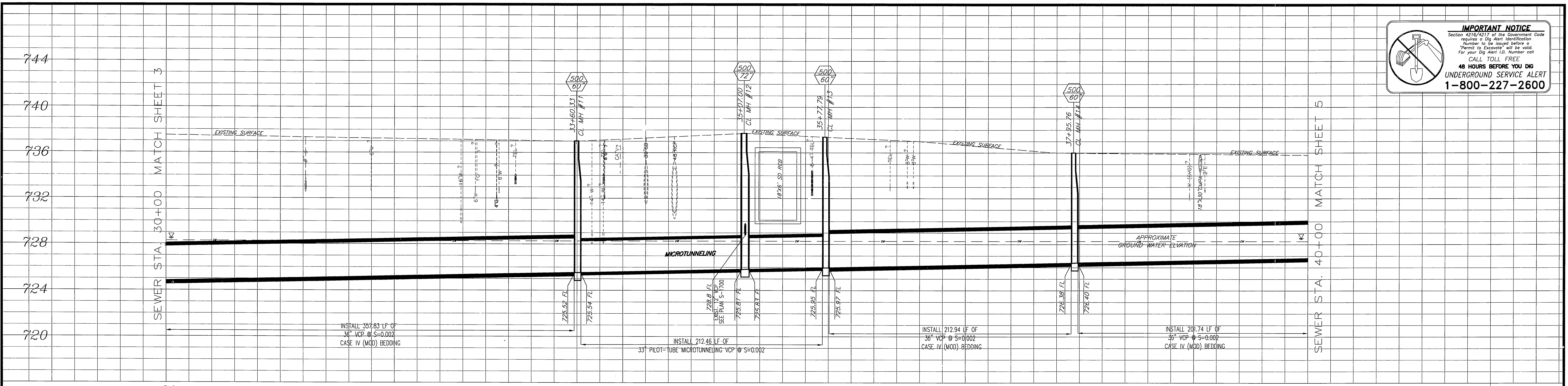
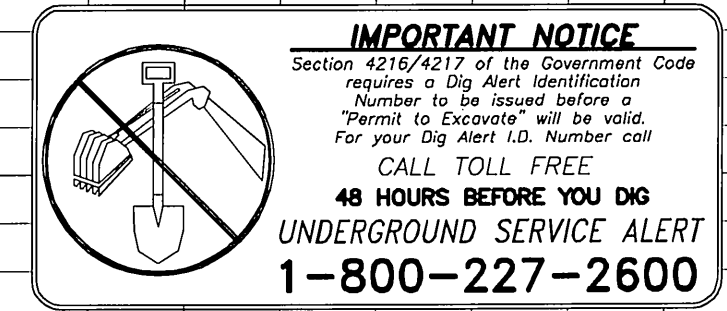
DESIGNED BY: MLAMBING DRAWN BY: MLAMBING CHECKED BY: LYOUNG

MARK	REVISIONS	APPR	DATE
A	As-Built		

CITY OF RIVERSIDE, CALIFORNIA
 PUBLIC WORKS DEPARTMENT
 APPROVED BY: [Signature] DATE: [Date]
 PRINCIPAL ENGINEER: [Signature] Approved as part of R-3965
 INSPECTOR: [Signature]
 SURVEYOR: [Signature]
 CITY ENGINEER: [Signature]
 DATE: [Date]

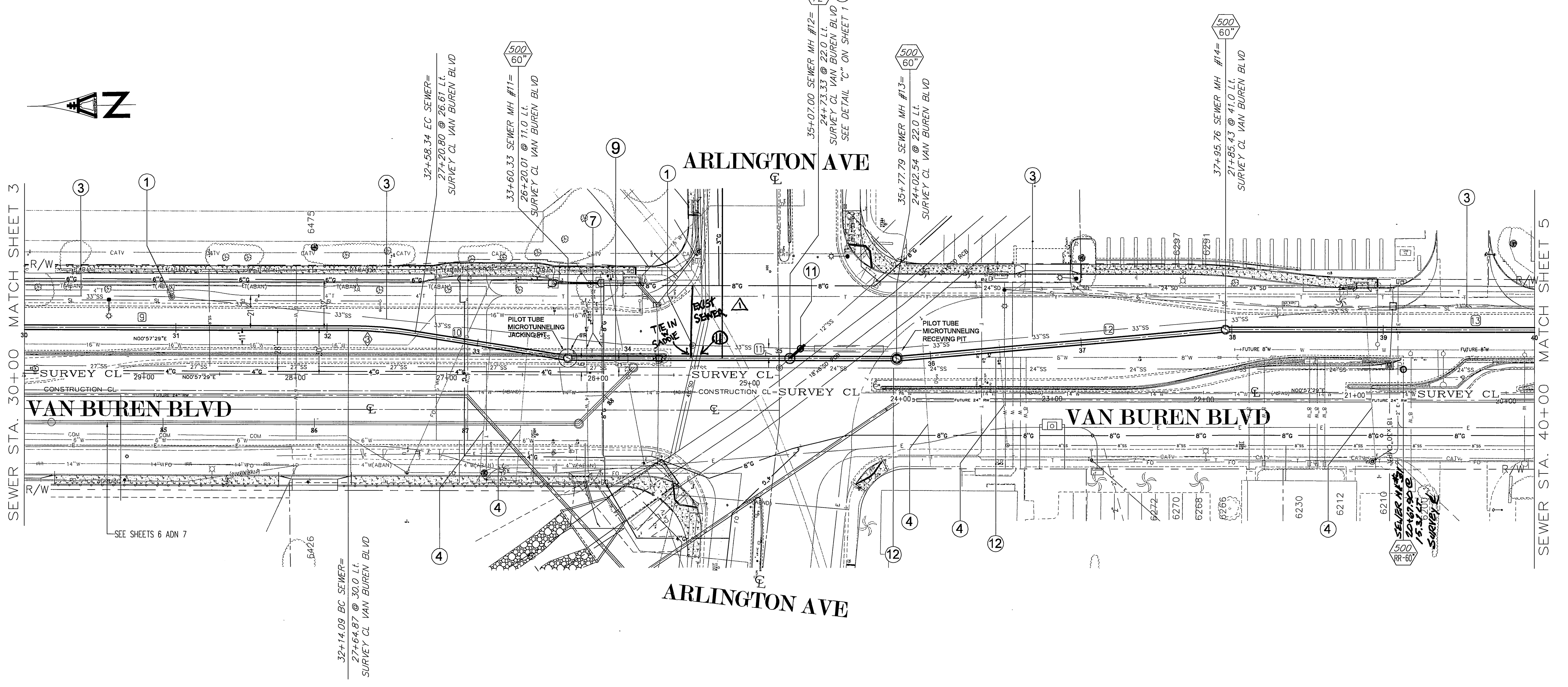
VAN BUREN SEWER
 FROM CYPRESS AVENUE
 TO MORRIS STREET

ACC. No. 9831423203-440301XX
 W.O. 0906679
 S-2064
 HORIZ. SCALE: 1" = 40' VERT. SCALE: 1" = 4'
 SHEET 3 OF 7



SEWER STA. 30+00 MATCH SHEET 3 SEWER STA. 40+00 MATCH SHEET 5

BENCHMARK
G3-P2 P.K. NAIL AND CITY ENGINEER TAG IN THE BASE OF A TRAFFIC SIGNAL AT THE SOUTHWEST CORNER OF VAN BUREN BLVD. AND ARLINGTON AVE.
ELEV= 736.604



SPECIFIC CONSTRUCTION NOTES

- NUMBERS ABOVE 100 IN A HEXAGON ON THE PLAN REFER TO THE RESPECTIVE STANDARD DRAWING AND SHALL BE CONSTRUCTED ACCORDINGLY. UNLESS MODIFICATIONS ARE NOTED ON THE PLAN OR COVER SHEET. ANY NUMBER SHOWN BELOW THE STANDARD DRAWING NUMBER INDICATES THE SPECIFIC ALTERNATE TO BE CONSTRUCTED.
- 500-60 REMOVE AND REPLACE EXISTING MANHOLE.
- 1 ABANDON EXISTING SEWER MANHOLE IN PLACE
- 2 EXISTING SEWER TO REMAIN IN SERVICE.
- 3 ABANDON EXISTING SEWER PIPE IN PLACE.
- 4 CONNECT EXISTING SERVICE LATERALS TO PROPOSED 36" OR 27" VCP PER STANDARD DRAWING 362.
- 7 PROTECT IN PLACE. PRIOR TO CONSTRUCTION VERIFY LOCATION. IF RELOCATION REQUIRED, GIVE CITY WATER FORCES 15 DAYS NOTICE.
- 9 PROPOSED 27" VCP SHALL BE BUILT AND IN OPERATION PRIOR TO PILOT TUBE JACKING OPERATIONS.
- 10 MANHOLE SHALL BE CONSTRUCTED AFTER PILOT TUBE MICROTUNNELING OPERATIONS ARE FINISHED.
- 11 REMOVE EXISTING MANHOLE AND REMOVE AND REPLACE EXISTING 12" VCP PIPE TO CONNECT TO PROPOSED 72" INCH MANHOLE AT STATION 35+07.00.
- 12 PROTECT AND SUPPORT IN PLACE.

SEWER CURVE DATA

Δ	R	L	T
8°48'0"	288'	44.25'	22.17'

SEWER LINE DATA

L	BEARING
257.44'	N0°57'29"W
102'	S9°45'33"W
217.48'	S0°57'29"W
217.94'	N4°2'42"W
450'	N0°57'25"E

ENGINEER IN RESPONSIBLE CHARGE
LAWYER LEW YOUNG
No. 43216
Exp. 03-31-2010
CIVIL
STATE OF CALIFORNIA
DATE: 12/22/2008

CITY OF RIVERSIDE, CALIFORNIA PUBLIC WORKS DEPARTMENT
APPROVED BY: [Signature] DATE: 12/22/08
PRINCIPAL ENGINEER
INSPECTOR: [Signature]
SURVEYOR: [Signature]
CITY ENGINEER
DATE: 12/22/08

CITY OF RIVERSIDE, CALIFORNIA PUBLIC WORKS DEPARTMENT
APPROVED BY: [Signature] DATE: 12/22/08
PRINCIPAL ENGINEER
INSPECTOR: [Signature]
SURVEYOR: [Signature]
CITY ENGINEER
DATE: 12/22/08

VAN BUREN SEWER FROM CYPRESS AVENUE TO MORRIS STREET

ACC. No. 9831423203-4403011X
W.O. 0906679
S-2064
SHEET 4 OF 7

HORIZ. SCALE: 1" = 40' VERT. SCALE: 1" = 4'

744
740
736
732
728
724

SEWER STA. 40+00 MATCH SHEET 4

40

41

42

43

44

45

46

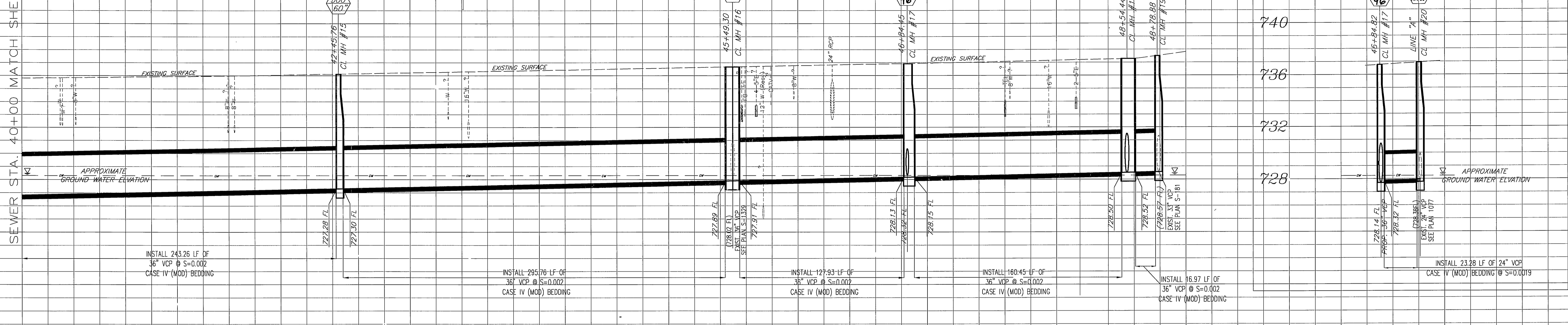
47

48

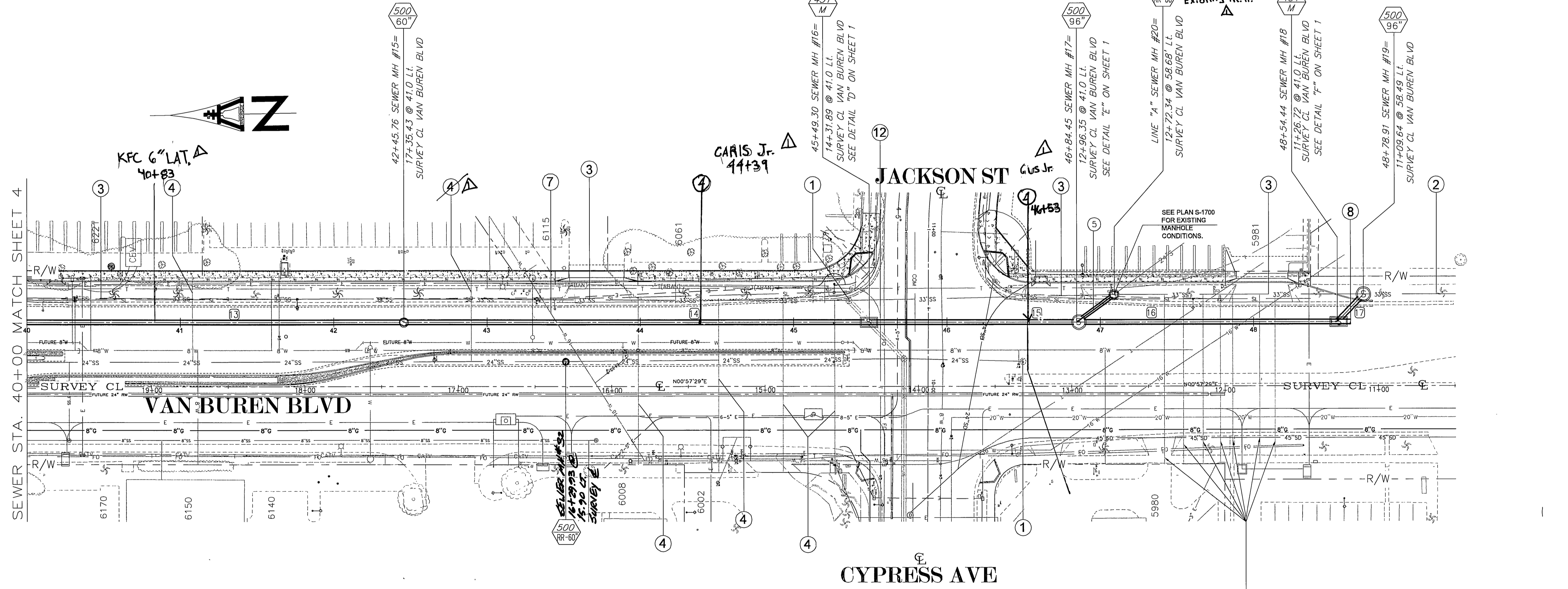
49

50

LINE "A"



SEWER STA. 40+00 MATCH SHEET 4



SEWER LINE DATA

L	BEARING
13	450' N0°57'25"E
14	303.54' N0°57'25"E
15	135.55' N0°57'25"E
16	169.29' N0°57'25"E
17	24.47' N0°57'25"E

SPECIFIC CONSTRUCTION NOTES

- NUMBERS ABOVE 100 IN A HEXAGON ON THE PLAN REFER TO THE RESPECTIVE STANDARD DRAWING AND SHALL BE CONSTRUCTED ACCORDINGLY. UNLESS MODIFICATIONS ARE NOTED ON THE PLAN OR COVER SHEET, ANY NUMBER SHOWN BELOW THE STANDARD DRAWING NUMBER INDICATES THE SPECIFIC ALTERNATE TO BE CONSTRUCTED.
- 500 REMOVE AND REPLACE EXISTING MANHOLE.
- 1 ABANDON EXISTING SEWER MANHOLE IN PLACE
- 2 EXISTING SEWER TO REMAIN IN SERVICE.
- 3 ABANDON EXISTING SEWER PIPE IN PLACE.
- 4 CONNECT EXISTING SERVICE LATERALS TO PROPOSED 36" OR 27" VCP PER STANDARD DRAWING S-22
- 5 REMOVE AND REPLACE EXISTING 24" OR 12" VCP.
- 7 PROTECT IN PLACE, PRIOR TO CONTRACTION VERIFY LOCATION, IF RELOCATION REQUIRED, GIVE CITY WATER FORCES 15 DAYS NOTICE.
- 8 LEAVE A 1' STUB WITH JOINT FOR FUTURE CONNECTION.
- 12 PROTECT AND SUPPORT IN PLACE.

IMPORTANT NOTICE
Section 4216/4217 of the Government Code requires a dig alert identification number to be placed before a permit to excavate will be valid. For your dig alert ID number call CALL TOLL FREE 48 HOURS BEFORE YOU DIG UNDERGROUND SERVICE ALERT 1-800-227-2600

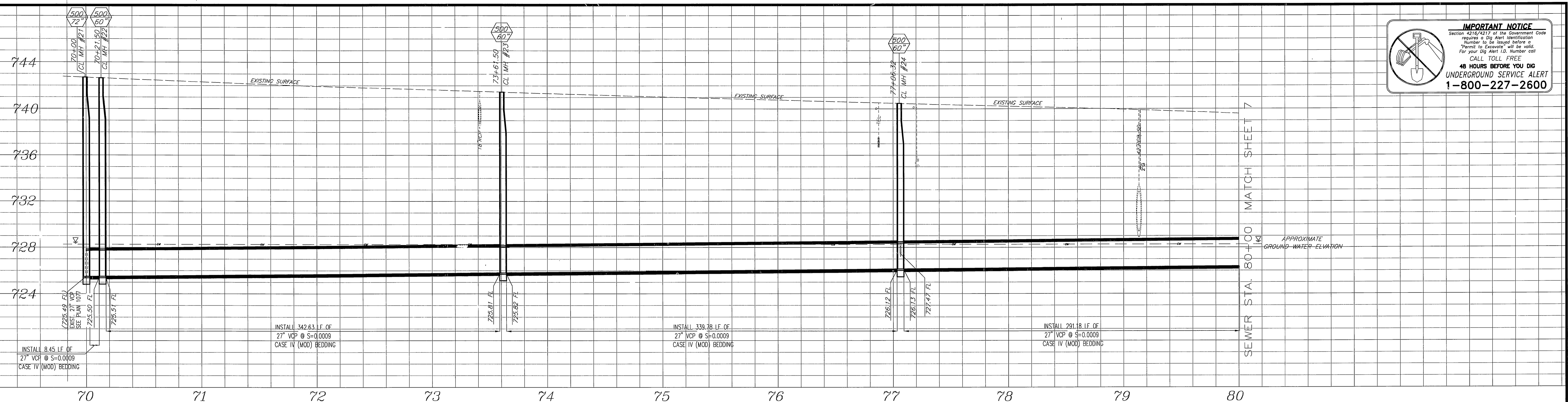
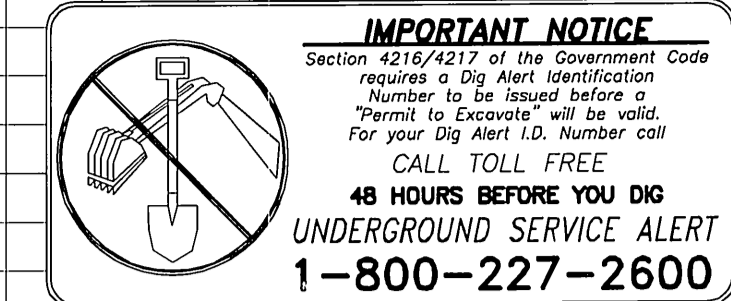
ENGINEER IN RESPONSIBLE CHARGE
LARRY LEWIS
No. 43218
Exp. 03-31-2010
CIVIL
STATE OF CALIFORNIA
DATE: 2/27/2008

DESIGNED BY: MLAMPING DRAWN BY: MLAMPING CHECKED BY: LYONG

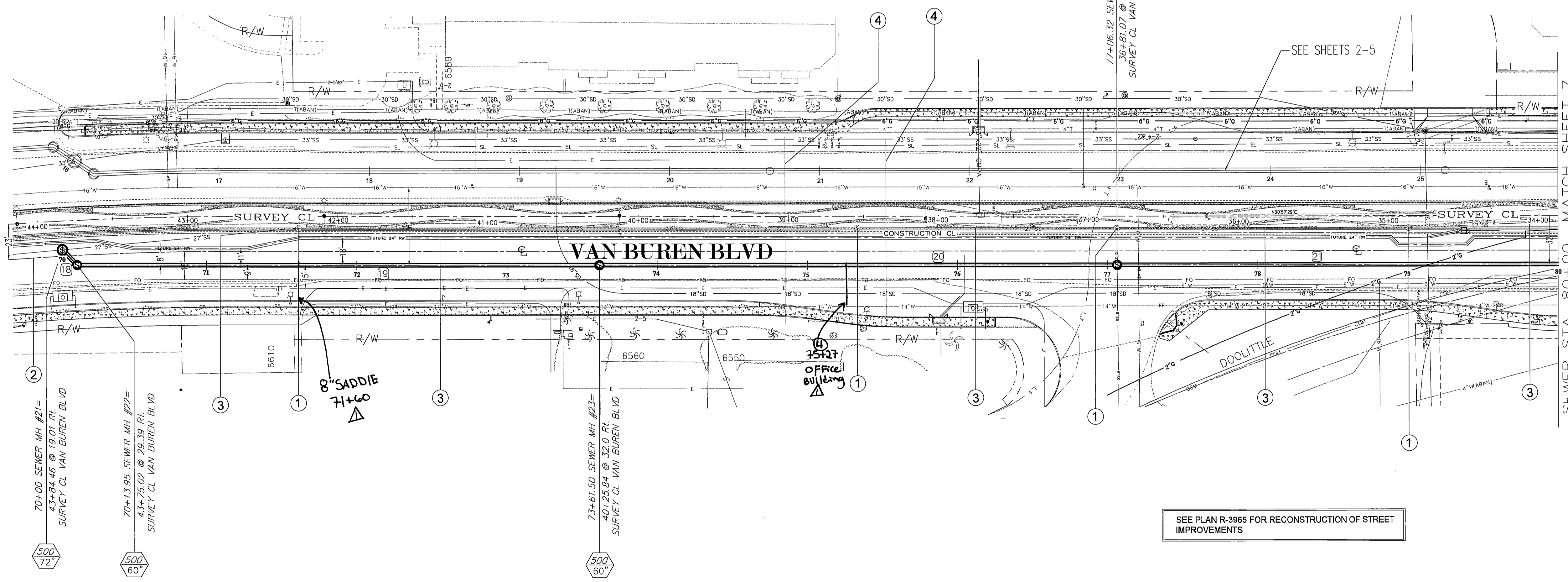
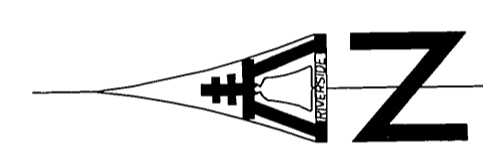
CITY OF RIVERSIDE, CALIFORNIA
PUBLIC WORKS DEPARTMENT
APPROVED BY: [Signature]
PRINCIPAL ENGINEER
INSPECTOR: [Signature]
SURVEYOR: [Signature]

VAN BUREN SEWER
FROM CYPRESS AVENUE
TO MORRIS STREET

ACC. No. 9831423203-440301XX
W.O. 090679
S-2064
HORIZ. SCALE: 1" = 40' VERT. SCALE: 1" = 4'
SHEET 5 OF 7



BENCHMARK
G3-P2 P.M. NAIL AND CITY ENGINEER TAG IN THE BASE OF A TRAFFIC SIGNAL AT THE SOUTHWEST CORNER OF VAN BUREN BLVD. AND ARLINGTON AVE.
ELEV= 736.604



SPECIFIC CONSTRUCTION NOTES

NUMBERS ABOVE 100 IN A HEXAGON ON THE PLAN REFER TO THE RESPECTIVE STANDARD DRAWING AND SHALL BE CONSTRUCTED ACCORDINGLY. UNLESS MODIFICATIONS ARE NOTED ON THE PLAN OR COVER SHEET, ANY NUMBER SHOWN BELOW THE STANDARD DRAWING NUMBER INDICATES THE SPECIFIC ALTERNATE TO BE CONSTRUCTED.

- 1 ABANDON EXISTING SEWER MANHOLE IN PLACE
- 2 EXISTING SEWER TO REMAIN IN SERVICE.
- 3 ABANDON EXISTING SEWER PIPE IN PLACE.
- 4 CONNECT EXISTING SERVICE LATERALS TO PROPOSED 36" OR 27" VCP PER STANDARD DRAWING 582.

SEWER LINE DATA

STATION	L	BEARING
18	12.95'	N45°55'57"E
19	347.63'	N0°57'29"E
20	344.78'	N0°57'29"E
21	360'	N0°57'29"E

ENGINEER IN RESPONSIBLE CHARGE
Robert P. Young
ROBERT P. YOUNG
LICENSED PROFESSIONAL ENGINEER
No. 43218
Exp. 03-31-2010
CIVIL
STATE OF CALIFORNIA
DATE: 12/22/2008

MARK	REVISIONS	APPR.	DATE

DESIGNED BY: M.LAMPING DRAWN BY: M.LAMPING CHECKED BY: L.YOUNG

**CITY OF RIVERSIDE, CALIFORNIA
PUBLIC WORKS DEPARTMENT**

APPROVED BY: *[Signature]* BY: DATE: APPROVED BY: *[Signature]*
PRINCIPAL ENGINEER: *[Signature]* INSPECTOR: *[Signature]* CITY ENGINEER: *[Signature]*
SURVEYOR: CS 120108 DATE: 12/22/2008

of R-3965

VAN BUREN SEWER
FROM CYPRESS AVENUE
TO MORRIS STREET

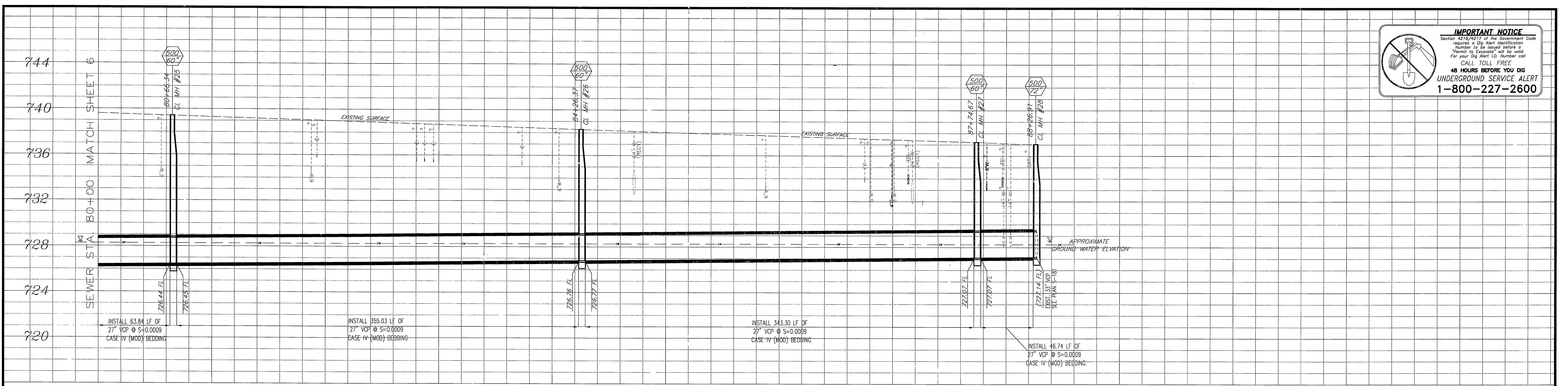
ACC. No. 9831423203-440301XX
W.O. 0906679

S-2064

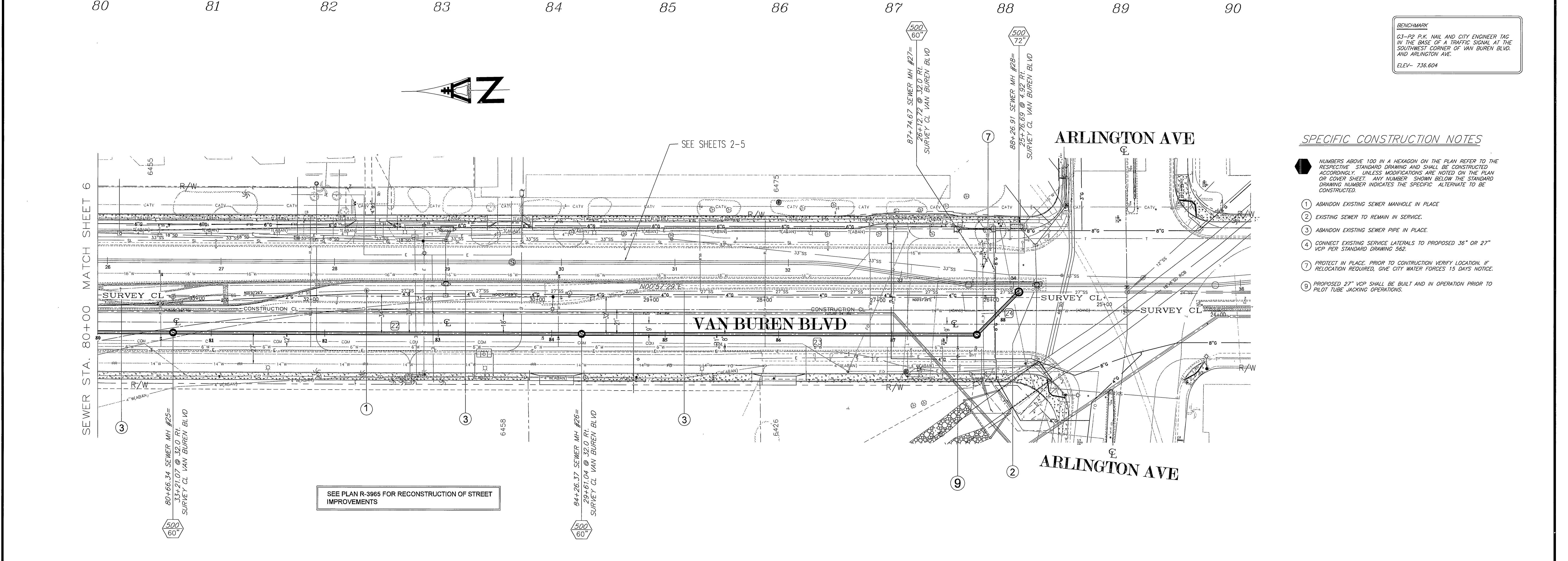
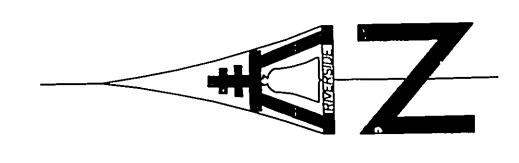
HORIZ. SCALE: 1" = 40' VERT. SCALE: 1" = 4'

SHEET 6 OF 7

IMPORTANT NOTICE
 Section 4216.4217 of the Government Code requires a Dig Alert Identification Number to be issued before a "Permit to Excavate" will be valid. For your Dig Alert ID, Number call CALL TOLL FREE 48 HOURS BEFORE YOU DIG UNDERGROUND SERVICE ALERT 1-800-227-2600



BENCHMARK
 G3-P2 P.K. NAIL AND CITY ENGINEER TAG IN THE BASE OF A TRAFFIC SIGNAL AT THE SOUTHWEST CORNER OF VAN BUREN BLVD. AND ARLINGTON AVE.
 ELEV. = 736.604



SPECIFIC CONSTRUCTION NOTES

- NUMBERS ABOVE 100 IN A HEXAGON ON THE PLAN REFER TO THE RESPECTIVE STANDARD DRAWING AND SHALL BE CONSTRUCTED ACCORDINGLY. UNLESS MODIFICATIONS ARE NOTED ON THE PLAN OR COVER SHEET, ANY NUMBER SHOWN BELOW THE STANDARD DRAWING NUMBER INDICATES THE SPECIFIC ALTERNATE TO BE CONSTRUCTED.
- 1 ABANDON EXISTING SEWER MANHOLE IN PLACE
- 2 EXISTING SEWER TO REMAIN IN SERVICE.
- 3 ABANDON EXISTING SEWER PIPE IN PLACE.
- 4 CONNECT EXISTING SERVICE LATERALS TO PROPOSED 36" OR 27" VCP PER STANDARD DRAWING 562.
- 7 PROTECT IN PLACE. PRIOR TO CONTRUCTION VERIFY LOCATION. IF RELOCATION REQUIRED, GIVE CITY WATER FORCES 15 DAYS NOTICE.
- 9 PROPOSED 27" VCP SHALL BE BUILT AND IN OPERATION PRIOR TO PILOT TUBE JACKING OPERATIONS.

SEWER LINE DATA

L	BEARING
22	360' N0°57'29"E
23	348.33' N0°57'29"E
24	52.24' S44°1'0"E

ENGINEER IN RESPONSIBLE CHARGE
 LARRY LEW YOUNG
 No. 43216
 Exp. 03-31-2010
 CIVIL
 STATE OF CALIFORNIA
 DATE: 12/22/2008



MARK	REVISIONS	APPR.	DATE

CITY OF RIVERSIDE, CALIFORNIA
 PUBLIC WORKS DEPARTMENT
 APPROVED BY: [Signature]
 BY DATE: [Date]
 APPROVED AS PART OF R-3965
 DATE: [Date]

VAN BUREN SEWER
 FROM CYPRESS AVENUE
 TO MORRIS STREET
 HORIZ. SCALE: 1" = 40' VERT. SCALE: 1" = 4'

ACC. No. 9831423203-440301XX
 W.O. 0906679
 S-2064
 SHEET 7 OF 7