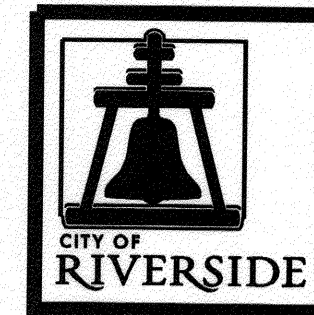


GENERAL NOTES:

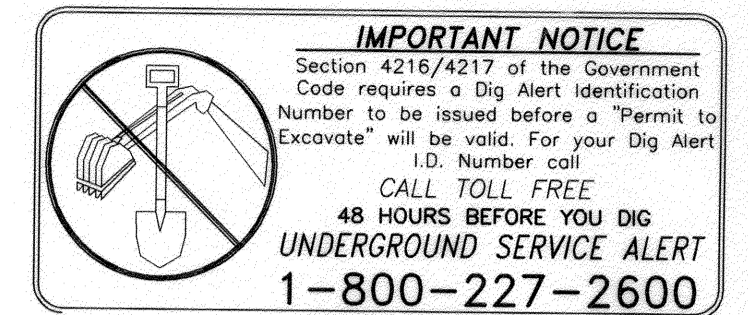
- 1 EXISTING UTILITIES SHOWN ON THE PLAN ARE PLOTTED FROM UTILITY RECORDS. THE CONTRACTOR IS REQUIRED TO TAKE DUE PRECAUTIONARY MEASURES TO LOCATE AND PROTECT ALL UTILITIES WHETHER OR NOT SHOWN ON THIS PLAN.
- 2 PRIME CONTRACTORS BIDDING THIS WORK SHALL HAVE A CLASS "A", "C-34", OR A "C-42" LICENSE.
- 3 ALL ELEVATIONS SHOWN ON THE PLAN SHALL BE STAKED IN THE FIELD.
- 4 CONSTRUCTION SHALL BE IN ACCORDANCE WITH THE CITY OF RIVERSIDE STANDARD DRAWINGS AND STANDARD SPECIFICATIONS FOR PUBLIC WORKS CONSTRUCTION, CURRENT EDITION.
- 5 TRENCHES SHALL EITHER BE BACKFILLED AND COMPACTED PER STD. DWG. 453 OR COVERED WITH TRAFFIC RATED STEEL PLATES AT THE END OF EACH WORK DAY AS SPECIFIED IN THE SPECIAL PROVISIONS.
- 6 WATER VALVES ENCOUNTERED DURING PIPELINE CONSTRUCTION OR DURING RESTORATION OF SURFACE IMPROVEMENTS SHALL BE PROTECTED IN PLACE, RESTORED TO PRECONSTRUCTION CONDITION AND/OR ADJUSTED TO GRADE.
- 7 PIPE BEDDING SHALL BE PER STD. DWG. 452 M.
- 8 CONTRACTOR SHALL PERFORM A PRECONSTRUCTION VIDEO OF THE SEWER MAINLINES. CONTRACTOR SHALL BE RESPONSIBLE FOR LOCATING AND VIDEOING ALL SEWER LATERALS FROM THE MAINLINE TO PROPERTY LINE ON SINGLE FAMILY RESIDENCES (SFR).
- 9 PIPE JOINTS FOR PROPOSED PIPES SHALL BE TYPE "G", PER SECTION 208-2.3 OF THE STANDARD SPECIFICATIONS. PIPE JOINTS FOR JOINING EXISTING VCP TO PROPOSED VCP SHALL BE TYPE "Z", PER SECTION 208-5 OF THE STANDARD SPECIFICATIONS.
- 10 ANY WORK THAT WILL CAUSE DAMAGE TO THE DETECTOR LOOPS SHALL NOT BE PERFORMED UNTIL TRAFFIC SIGNAL MAINTENANCE PERSONNEL HAVE BEEN NOTIFIED AND THE NECESSARY TIMING ADJUSTMENTS ARE MADE TO MAINTAIN SIGNAL OPERATION.
- 11 CONTRACTOR SHALL REPLACE ALL EXISTING TRAFFIC DETECTOR LOOPS AFFECTED BY CONSTRUCTION WITH VIDEO DETECTION, TWO INTERSECTIONS, PER TC-1 THROUGH TC-12.
- 12 FINAL TRENCH PAVING SHALL BE COMPLETED PER STANDARD DRAWING 453, WITH THE EXCEPTION THAT GRIND WILL NOT BE REQUIRED. THE PAVEMENT SECTION SHALL BE 9" D.G.A.C. OVER 16" CRUSHED AGGREGATE BASE.
- 13 REPLACE STRIPPING REMOVED OR DAMAGED BY CONSTRUCTION ACTIVITIES.

RIVERSIDE CALIFORNIA



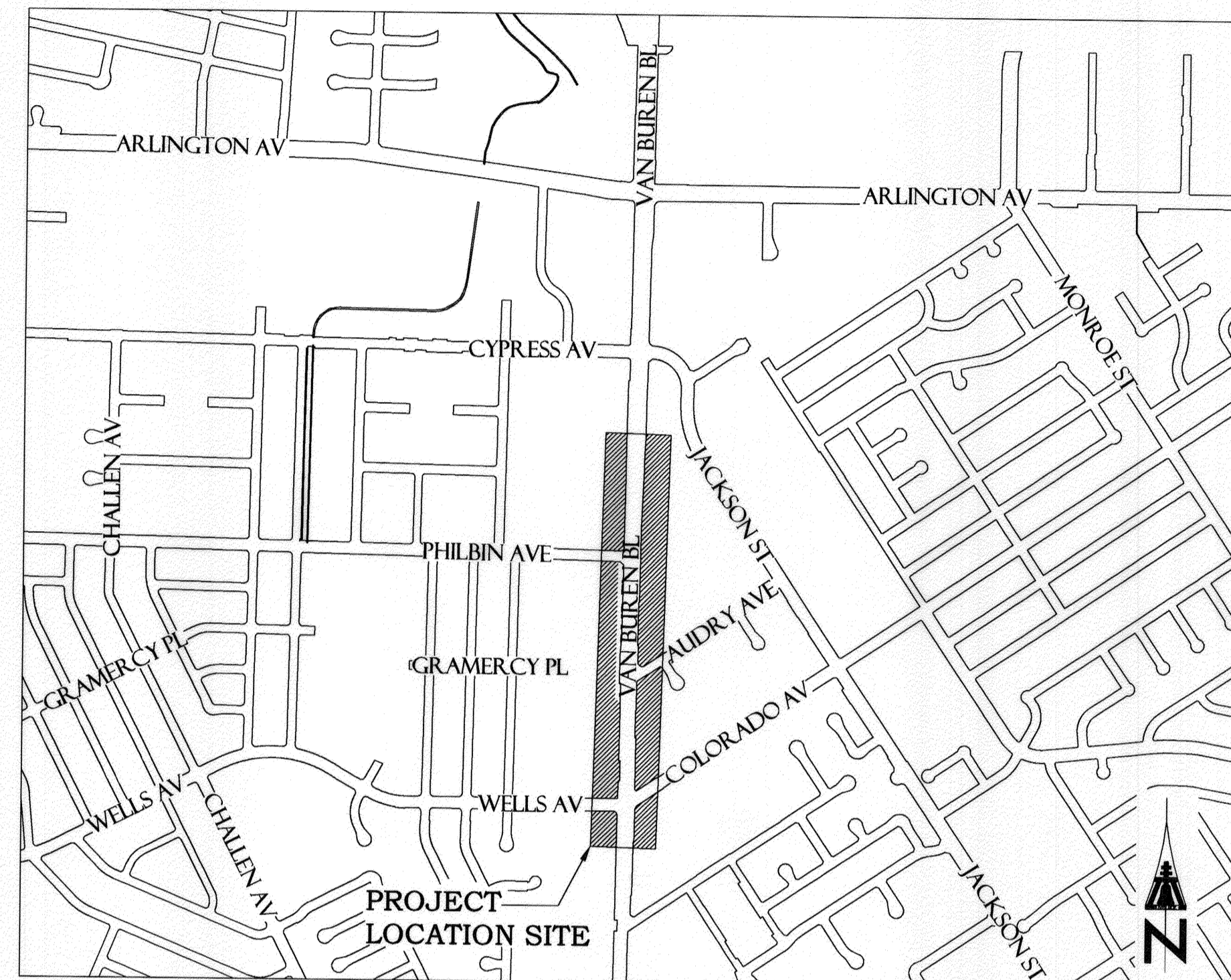
PUBLIC WORKS DEPARTMENT

VAN BUREN SEWER REPLACEMENT- PHASE II S'LY JACKSON STREET TO WELLS AVENUE

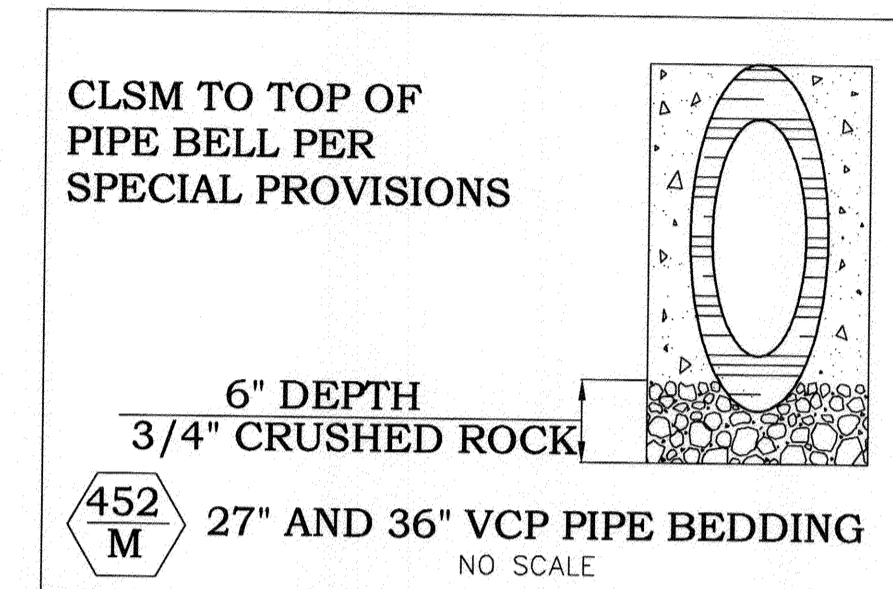


SPECIFIC CONSTRUCTION NOTES

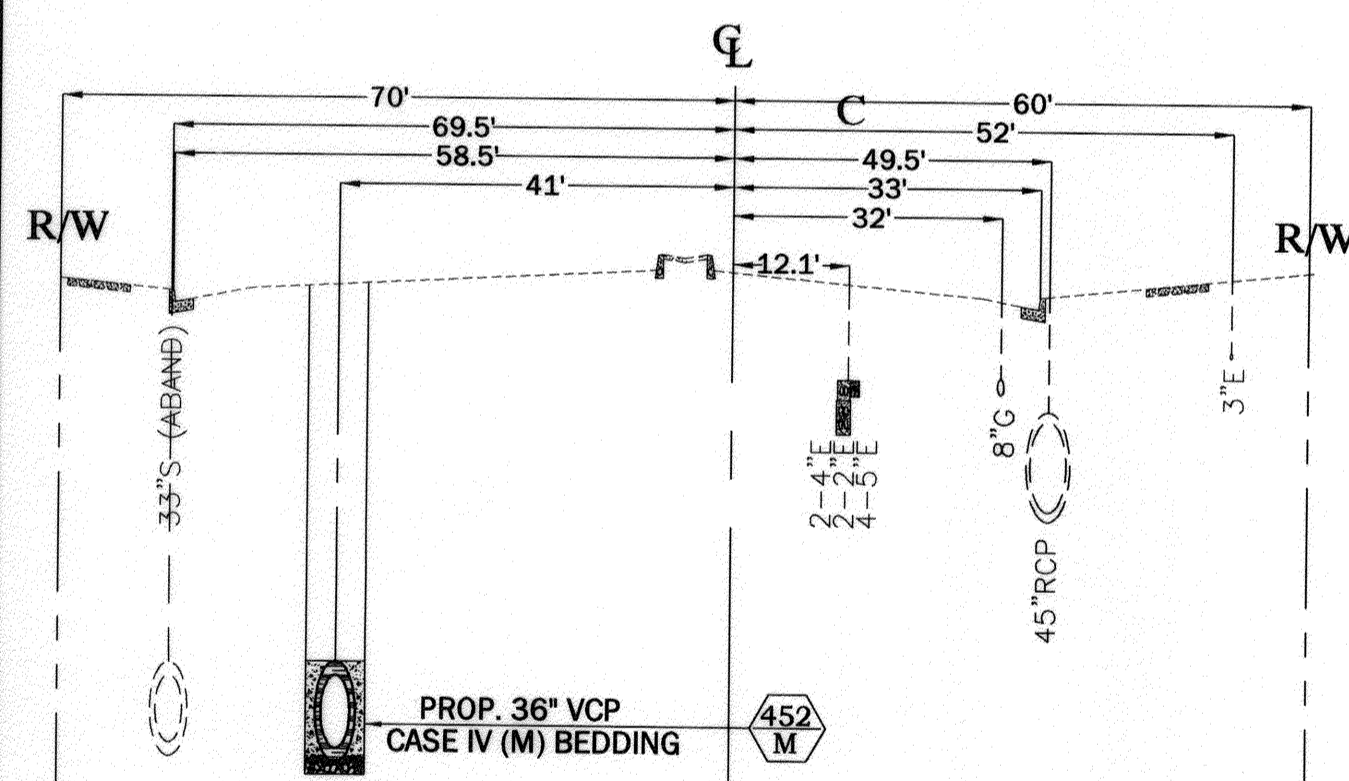
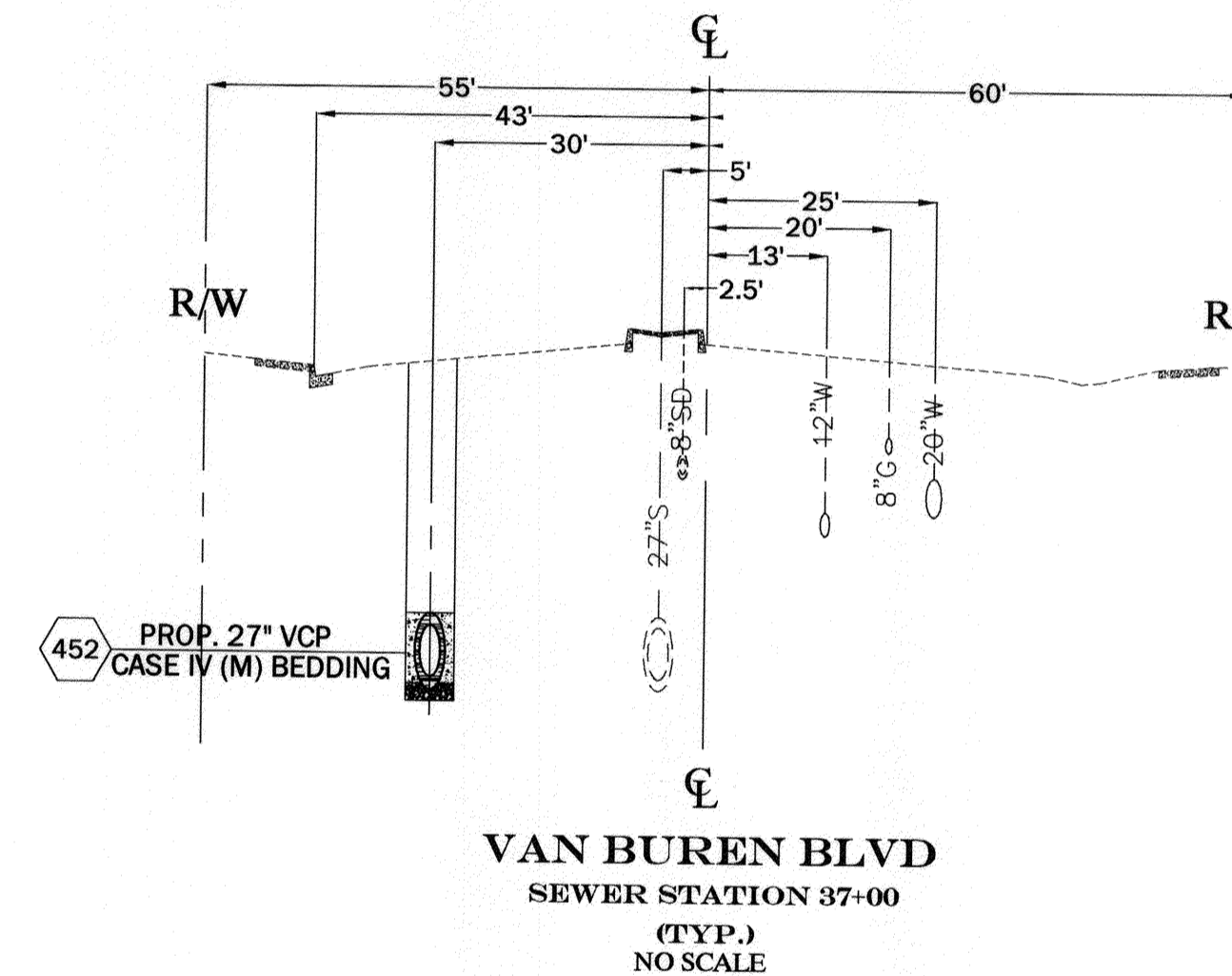
- NUMBERS ABOVE 100 IN A HEXAGON ON THE PLAN REFER TO THE RESPECTIVE STANDARD DRAWING AND SHALL BE CONSTRUCTED ACCORDINGLY. UNLESS MODIFICATIONS ARE NOTED ON THE PLAN OR COVER SHEET, ANY NUMBER SHOWN BELOW THE STANDARD DRAWING NUMBER INDICATES THE SPECIFIC ALTERNATE TO BE CONSTRUCTED.
- 452 M PIPE BEDDING 6" CRUSHED AGGREGATE BASE (C.A.B.) AND CLSM SLURRY TO TOP OF PIPE BELL. CLSM MIX SHALL BE PER SPECIAL PROVISIONS. IF TRENCH IS UNDER WATER, THE CONTRACTOR SHALL OVER EXCAVATE AN ADDITIONAL 6 INCHES C.A.B. BASE. SEE DETAIL ON SHEET 1.
- GEOTECHNICAL BORING NUMBER AND LOCATION. PER GEOTECHNICAL REPORT DATED APRIL 6, 2011.
- LOCATE LATERAL AND CONSTRUCT SEWER CLEANOUT PER DETAIL ON SHEET 5
- ABANDON EXISTING SEWER PIPE AND MANHOLES IN PLACE
- EXISTING SEWER TO REMAIN IN SERVICE
- PROTECT AND SUPPORT IN PLACE
- REMOVE INTERFERING PORTIONS OF EXISTING SEWER PIPE AND/OR MANHOLE.
- EXISTING MANHOLE MIGHT BE COVERED. LOCATE AND ABANDON AND RETURN LANDSCAPING TO ITS ORIGINAL CONDITION
- ABANDON EXISTING 36" VCP AND BULKHEAD BOTH ENDS OF THE PIPE.
- CONNECT EXISTING SERVICE LATERALS TO PROPOSED 27" VCP PER STANDARD DRAWING 562.
- ABANDON MANHOLE AND REPLACE STAMPED CONCRETE TO MATCH EXISTING.
- 27" VCP ADDITIONAL ENCASEMENT. SEE DETAIL "A" PER SHEET 3.
- CONNECT PROPOSED 36" VCP TO EXISTING 1-FOOT 36" VCP STUB AND REMOVE SAND-BAG BLOCKAGE FROM THE STRUCTURE'S CHANNEL. SEE PLAN S-2064, DETAIL "F" SHEET 1.
- AT THE CONTRACTOR'S DISCRETION, A TEMPORARY CONNECTION TO NEW MANHOLE No.6 MAY BE MADE. THE CONNECTION WILL ALLOW FLOW FROM THE EXISTING 27" SEWER. THE CONTRACTOR SHALL ABANDON THE TEMPORARY CONNECTION AFTER THE PROPOSED 27" SEWER IS IN SERVICE. THE CONTRACTOR SHALL REMOVE BYPASS PUMPING EQUIPMENT AT THE END OF THE WORK DAY.



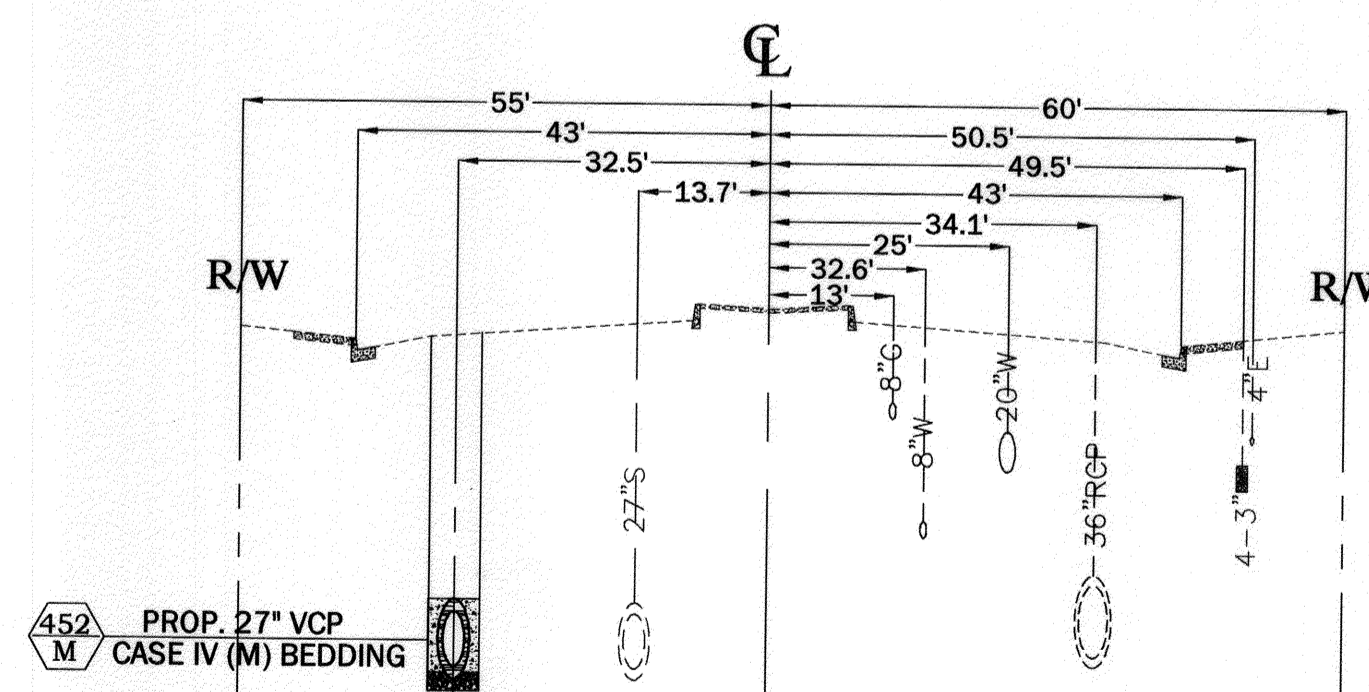
PROJECT LOCATION MAP
NTS



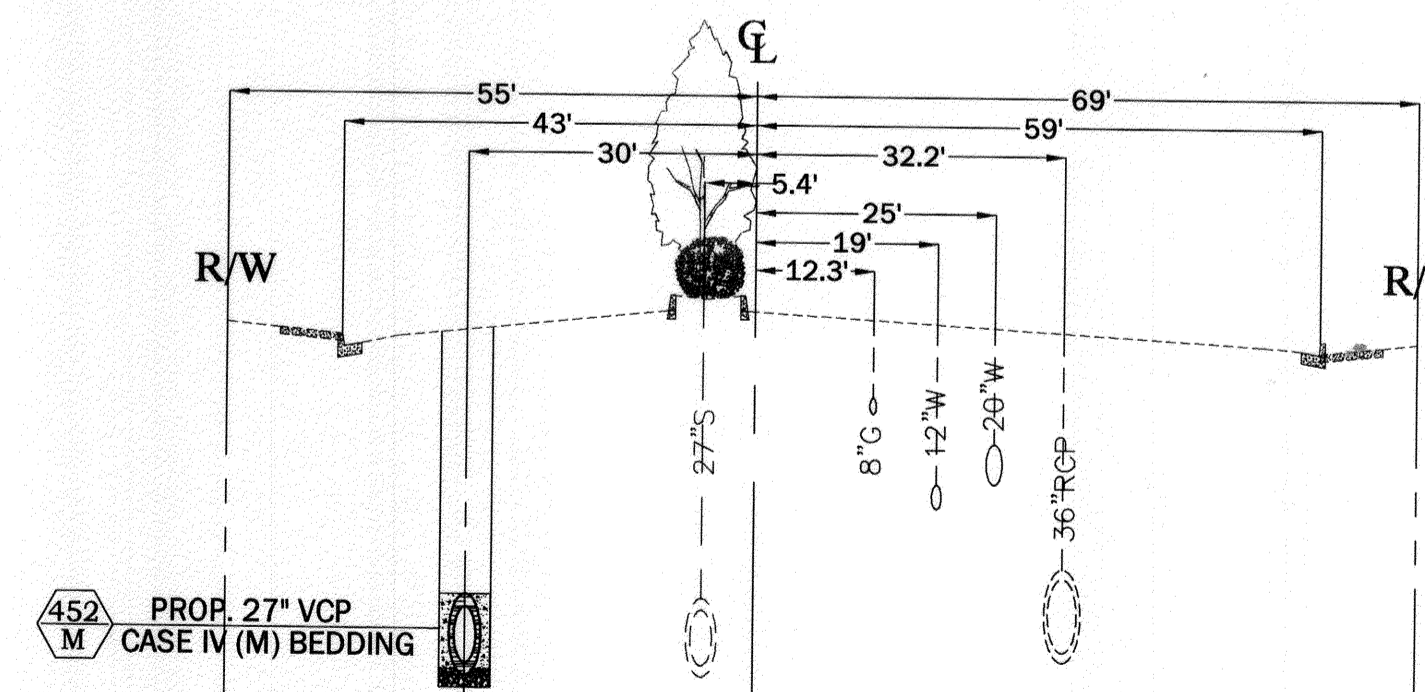
CONTRACTOR SHALL PLACE CLSM "WATER STOP" AT 25 FOOT INTERVALS ALONG THE TRENCH. THE CLSM "WATER STOP" SHALL BE 1 FOOT WIDE AND PLACED AT JOINT LOCATIONS.



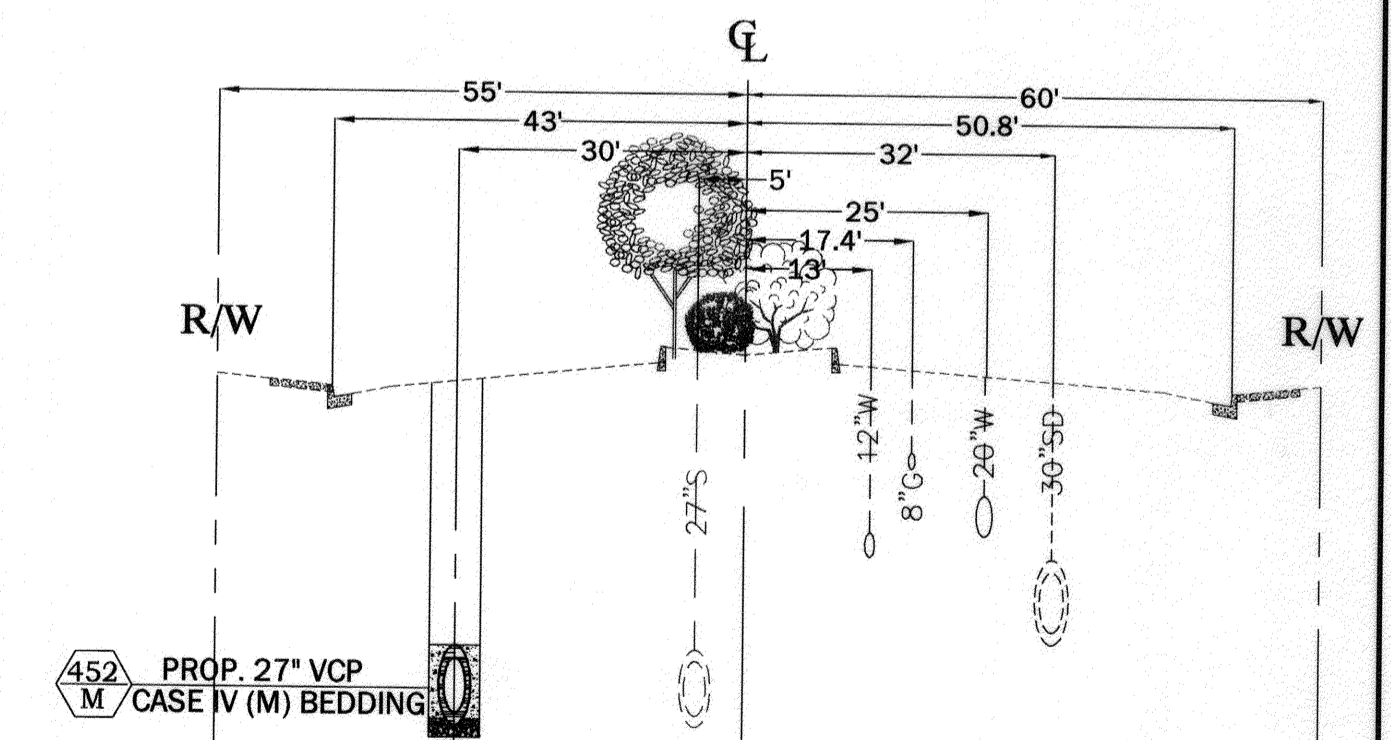
VAN BUREN BLVD
SEWER STATION 10+00
(TYP.)
NO SCALE



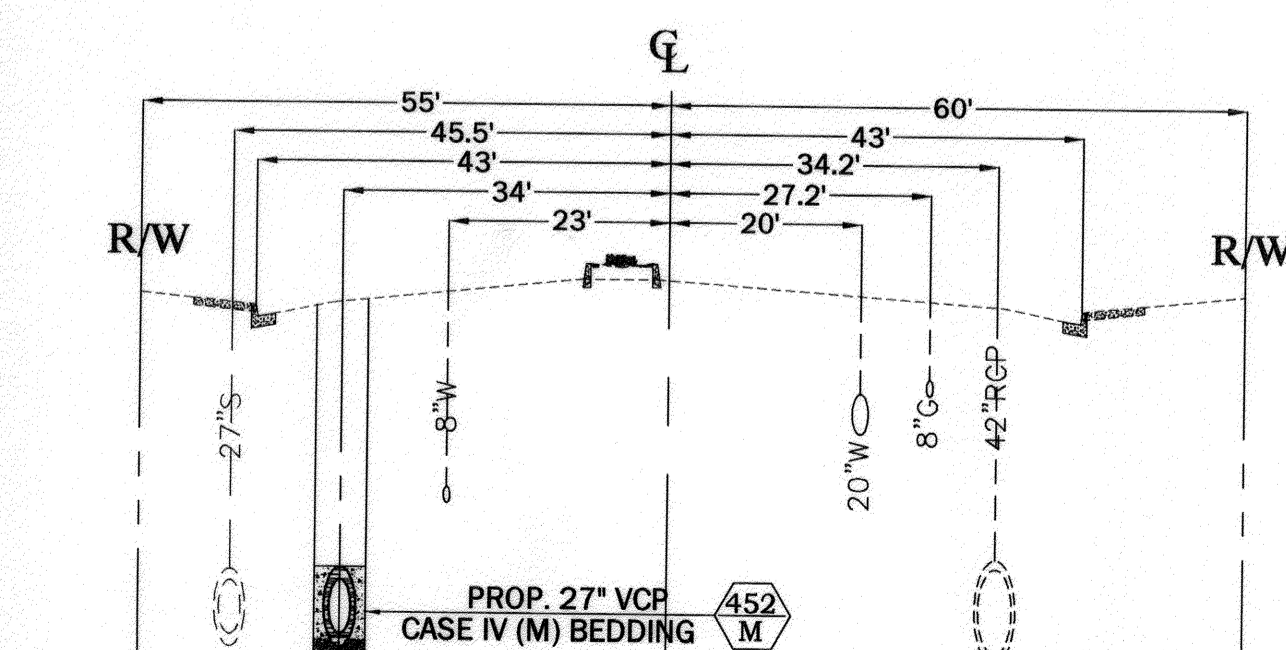
VAN BUREN BLVD
SEWER STATION 24+00
(TYP.)
NO SCALE



VAN BUREN BLVD
SEWER STATION 28+20
(TYP.)
NO SCALE

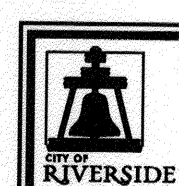


VAN BUREN BLVD
SEWER STATION 34+20
(TYP.)
NO SCALE



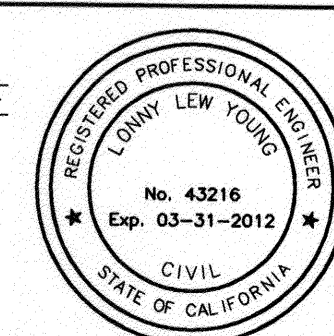
VAN BUREN BLVD
SEWER STATION 20+00
(TYP.)
NO SCALE

BENCHMARK
G3-A2 BRASS DISK STAMPED "G3-A" IN A WELL MONUMENT AT THE INTERSECTION OF VAN BUREN BLVD. AND COLORADO AVE.
ELEV= 742.228 (NGVD 29)



ENGINEER IN RESPONSIBLE CHARGE

LONNY LEW YOUNG
R.C.E. No. 43216 expires 03-31-2012
DATE 05/16/2011



CITY OF RIVERSIDE, CALIFORNIA PUBLIC WORKS DEPARTMENT		
APPROVED BY	BY DATE	APPROVED BY
INSPECTOR	DATE	CITY ENGINEER
SUPERVISOR	DATE	
ENGINEERING MANAGER	DATE	
DESIGNED BY ML	DRAWN BY ML	CHECKED BY LLY

VAN BUREN SEWER REPLACEMENT- PHASE II
FROM S'LY JACKSON STREET TO WELLS AVENUE

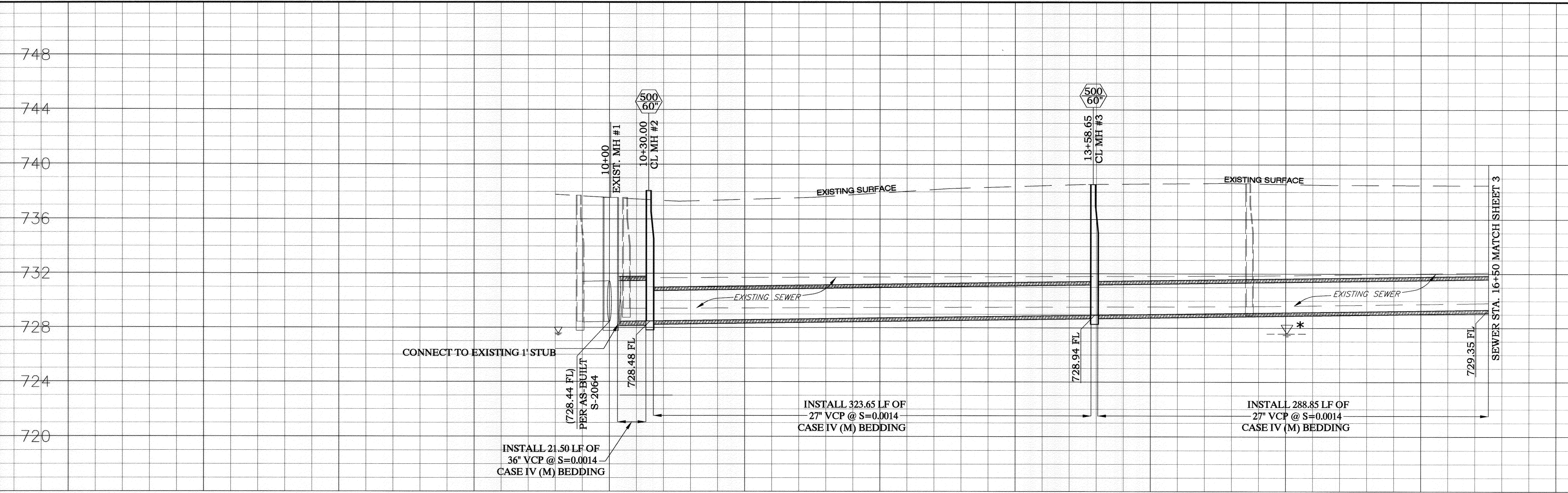
SCALE: AS SHOWN

ACC. No. 984423203-440301XX
W.O. 1021703

S-2085

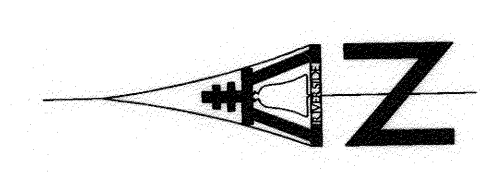
SHEET 1 OF 5

Inlined 6-13-12 BA



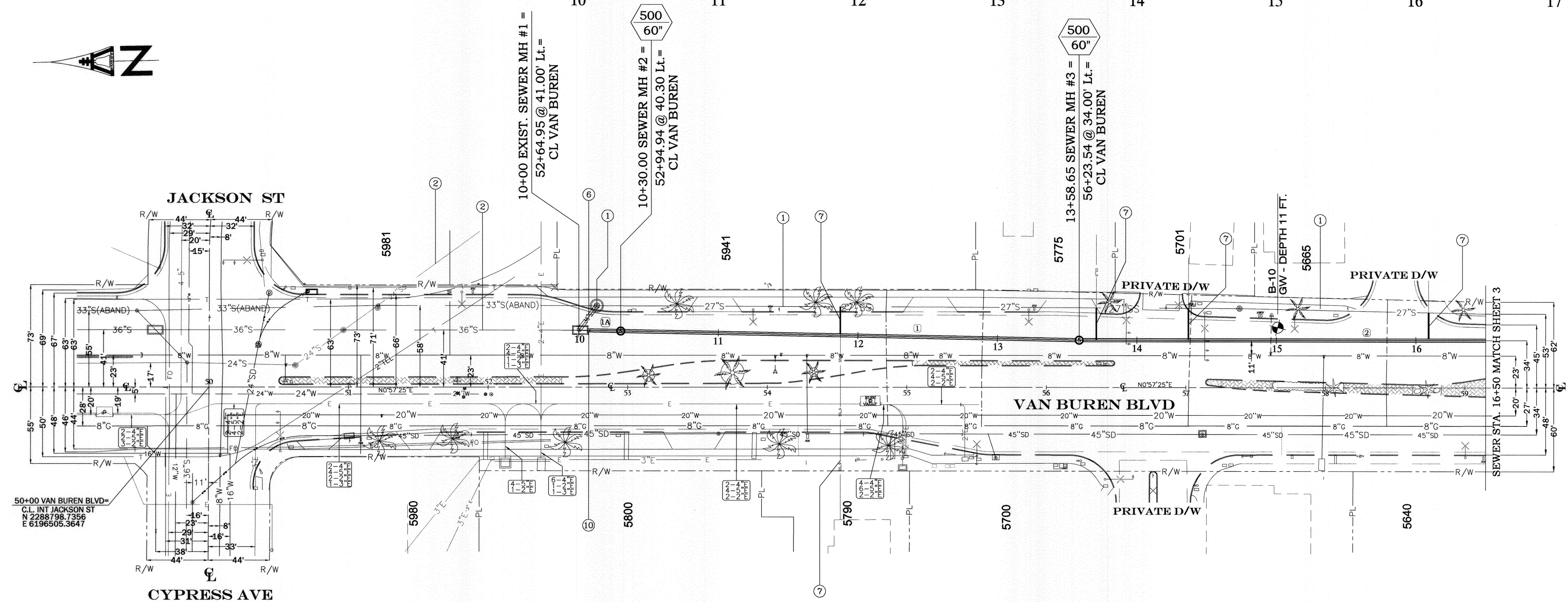
* NOTE: GROUNDWATER ELEVATION IS FROM GEOTECHNICAL REPORT DATED APRIL 6, 2011 AND INCLUDED IN THE SPECIAL PROVISIONS

10 11 12 13 14 15 16 17



SEWER LINE DATA

	L	BEARING
1A	30.00'	S 2°31'6" W
1	328.65'	S 2°31'6" W
2	291.35'	S 0°57'25" W

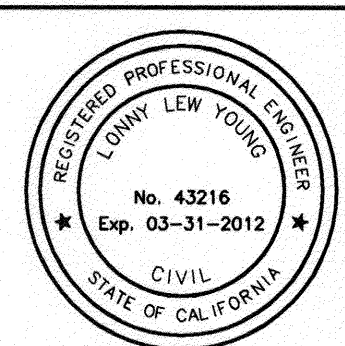


SPECIFIC CONSTRUCTION NOTES

- NUMBERS ABOVE 100 IN A HEXAGON ON THE PLAN REFER TO THE RESPECTIVE STANDARD DRAWING AND SHALL BE CONSTRUCTED ACCORDINGLY. UNLESS MODIFICATIONS ARE NOTED ON THE PLAN OR COVER SHEET. ANY NUMBER SHOWN BELOW THE STANDARD DRAWING NUMBER INDICATES THE SPECIFIC ALTERNATE TO BE CONSTRUCTED.
- PIPE BEDDING 6" CRUSHED AGGREGATE BASE (C.A.B.) AND CLSM SLURRY TO TOP OF PIPE BELL. CLSM MIX SHALL BE PER SPECIAL PROVISIONS. IF TRENCH IS UNDER WATER, THE CONTRACTOR SHALL OVER EXCAVATE AN ADDITIONAL 6 INCHES AND DEWATER TRENCH PRIOR TO SETTING 12-INCH C.A.B. BASE. SEE DETAIL ON SHEET 1.
- GEOTECHNICAL BORING NUMBER AND LOCATION. PER GEOTECHNICAL REPORT INCLUDED IN THE SPECIAL PROVISIONS.
- 1 ABANDON EXISTING SEWER PIPE AND MANHOLES IN PLACE
- 2 EXISTING SEWER TO REMAIN IN SERVICE
- 6 ABANDON EXISTING 36" VCP AND BULKHEAD BOTH ENDS OF THE PIPE.
- 7 CONNECT EXISTING SERVICE LATERALS TO PROPOSED 27" VCP PER STANDARD DRAWING 562.
- 10 CONNECT PROPOSED 36" VCP TO EXISTING 1-FOOT 36" VCP STUB AND REMOVE SAND-BAG BLOCKAGE FROM THE STRUCTURE'S CHANNEL. SEE PLAN S-2064, DETAIL "F" SHEET 1.

BENCHMARK
G3-A2 BRASS DISK STAMPED "G3-A" IN A WELL MONUMENT AT THE INTERSECTION OF VAN BUREN BLVD. AND COLORADO AVE.
ELEV- 742.228 (NGVD 29)

ENGINEER IN RESPONSIBLE CHARGE
LONNY LEW YOUNG
R.C.E. No. 43216 expires 03-31-2012
DATE 05/16/2011



CITY OF RIVERSIDE, CALIFORNIA
PUBLIC WORKS DEPARTMENT
APPROVED BY: [Signature]
INSPECTOR: [Signature]
SUPERVISOR: [Signature]
ENGINEERING MANAGER: [Signature]

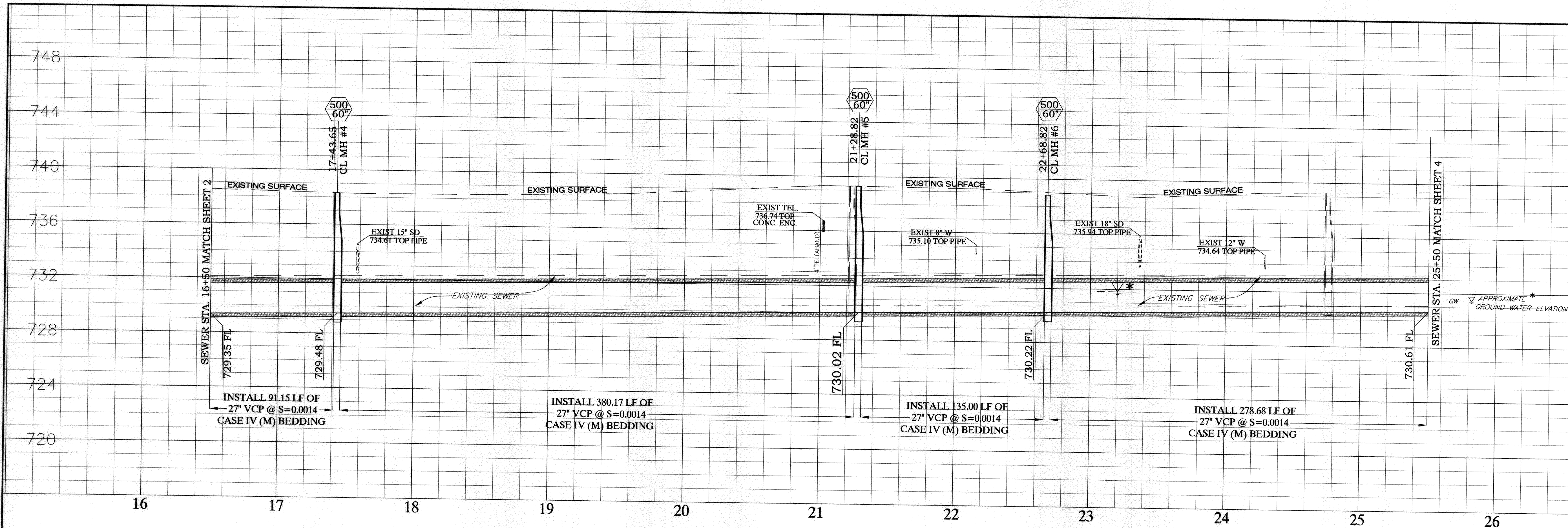
VAN BUREN SEWER REPLACEMENT- PHASE II
FROM SLY JACKSON STREET TO WELLS AVENUE

ACC. No. 9844423203-440301XX
W.O. 1021703

S-2085

HORIZ. SCALE: 1" = 40' VERT. SCALE: 1" = 4' SHEET 2 OF 5

IMPORTANT NOTICE
 Section 4216/4217 of the Government Code requires a Dig Alert identification number to be issued before a "Permit to Excavate" will be valid. For your Dig Alert ID Number call CALL TOLL FREE 48 HOURS BEFORE YOU DIG UNDERGROUND SERVICE ALERT 1-800-227-2600



* NOTE: GROUNDWATER ELEVATION IS FROM GEOTECHNICAL REPORT DATED APRIL 6, 2011 AND INCLUDED IN THE SPECIAL PROVISIONS

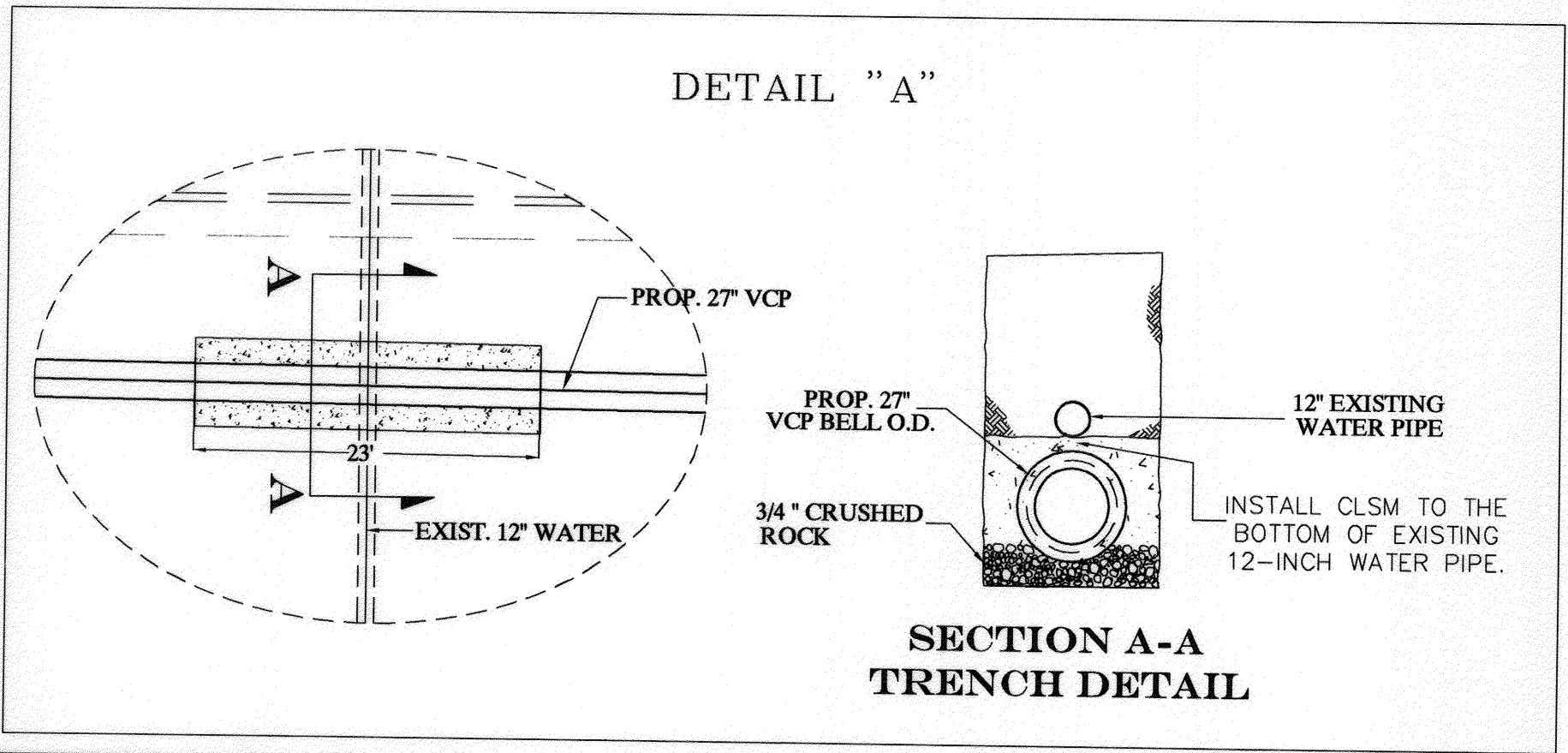
SEWER LINE DATA

L	BEARING
3	93.65' N 0°57'25" E
4	385.17' N 0°57'25" E
5	140.00' N 0°57'43" E
6	281.18' N 1°37'00" E

SPECIFIC CONSTRUCTION NOTES

- NUMBERS ABOVE 100 IN A HEXAGON ON THE PLAN REFER TO THE RESPECTIVE STANDARD DRAWING AND SHALL BE CONSTRUCTED ACCORDINGLY. UNLESS MODIFICATIONS ARE NOTED ON THE PLAN OR COVER SHEET. ANY NUMBER SHOWN BELOW THE STANDARD DRAWING NUMBER INDICATES THE SPECIFIC ALTERNATE TO BE CONSTRUCTED.
- PIPE BEDDING 6" CRUSHED AGGREGATE BASE (C.A.B.) AND CLSM SLURRY TO TOP OF PIPE BELL. CLSM MIX SHALL BE PER SPECIAL PROVISIONS. IF TRENCH IS UNDER WATER, THE CONTRACTOR SHALL OVER EXCAVATE AN ADDITIONAL 6 INCHES AND DEWATER TRENCH PRIOR TO SETTING 12-INCH C.A.B. BASE. SEE DETAIL ON SHEET 1.
- GEOTECHNICAL BORING NUMBER AND LOCATION. PER GEOTECHNICAL REPORT INCLUDED IN THE SPECIAL PROVISIONS.
- ABANDON EXISTING SEWER PIPE AND MANHOLES IN PLACE
- EXISTING SEWER TO REMAIN IN SERVICE
- PROTECT AND SUPPORT IN PLACE
- REMOVE INTERFERING PORTIONS OF EXISTING SEWER PIPE AND/OR MANHOLE.
- EXISTING MANHOLE MIGHT BE COVERED. LOCATE AND ABANDON AND RETURN LANDSCAPING TO ITS ORIGINAL CONDITION
- CONNECT EXISTING SERVICE LATERALS TO PROPOSED 27" VCP PER STANDARD DRAWING 562.
- 27" VCP ADDITIONAL ENCASEMENT. SEE DETAIL "A" PER SHEET 3.
- AT THE CONTRACTOR'S DISCRETION, A TEMPORARY CONNECTION TO NEW MANHOLE No.6 MAY BE MADE. THE CONNECTION WILL ALLOW FLOW FROM THE EXISTING 27" SEWER. THE CONTRACTOR SHALL ABANDON THE TEMPORARY CONNECTION AFTER THE PROPOSED 27" SEWER IS IN SERVICE. THE CONTRACTOR SHALL REMOVE BYPASS PUMPING EQUIPMENT AT THE END OF THE WORK DAY.

BENCHMARK
 G3-A2 BRASS DISK STAMPED "G3-A" IN A WELL MONUMENT AT THE INTERSECTION OF VAN BUREN BLVD. AND COLORADO AVE.
 ELEV- 742.228 (NGVD 29)

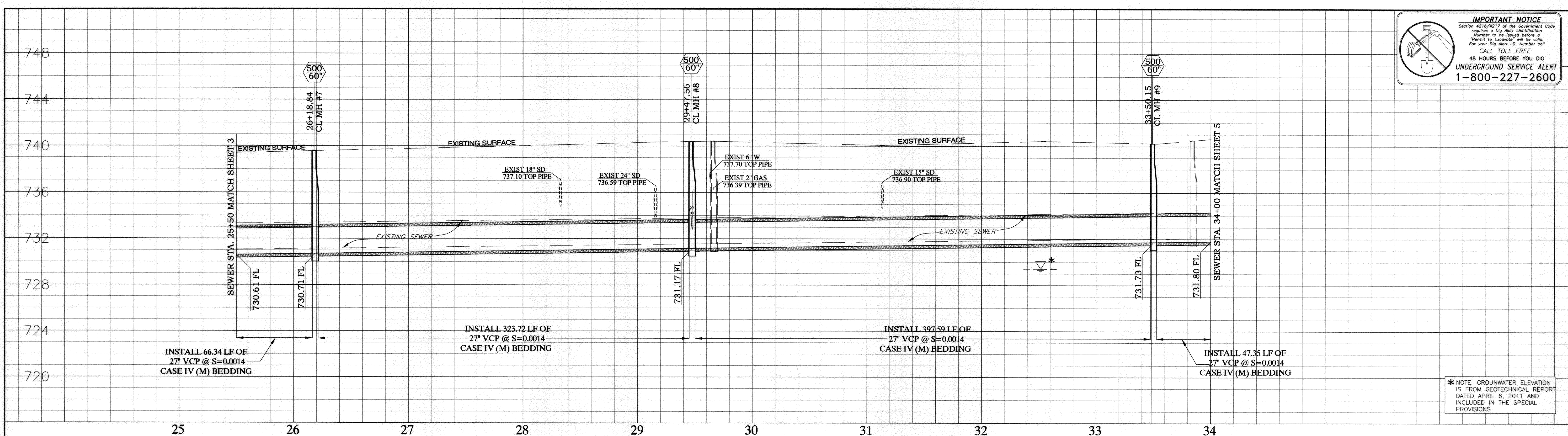


ENGINEER IN RESPONSIBLE CHARGE
 LONNY LEW YOUNG
 R.C.E. No. 43216 expires 03-31-2012
 DATE 02/18/2014

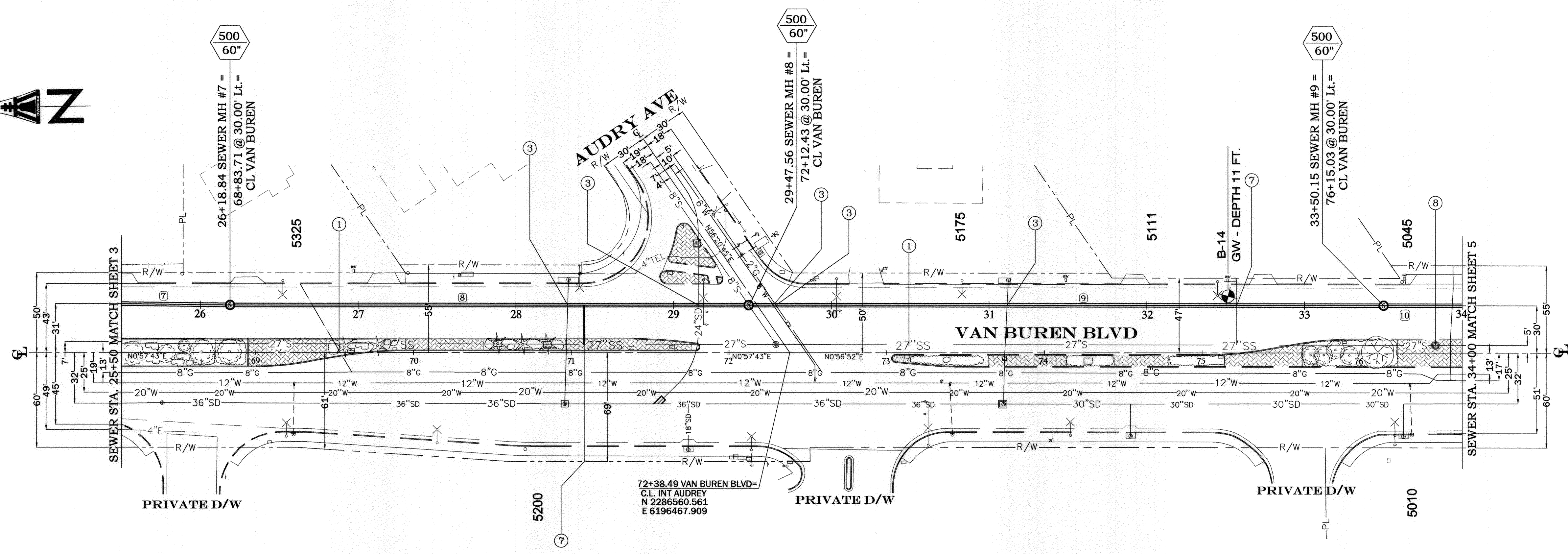
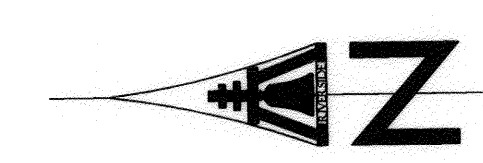
CITY OF RIVERSIDE, CALIFORNIA
 PUBLIC WORKS DEPARTMENT
 APPROVED BY: [Signature]
 PRINCIPAL ENGINEER
 INSPECTOR: [Signature]
 SURVEYOR: [Signature]
 ENGINEERING MANAGER: [Signature]

DESIGNED BY: ML DRAWN BY: ML CHECKED BY: LLY

VAN BUREN SEWER REPLACEMENT- PHASE II
 FROM S'LY JACKSON STREET TO WELLS AVENUE
 S-2085
 ACC. No. 984423203-440301XX W.O. 1021703
 SHEET 3 OF 5



* NOTE: GROUNDWATER ELEVATION IS FROM GEOTECHNICAL REPORT DATED APRIL 6, 2011 AND INCLUDED IN THE SPECIAL PROVISIONS



SPECIFIC CONSTRUCTION NOTES

- NUMBERS ABOVE 100 IN A HEXAGON ON THE PLAN REFER TO THE RESPECTIVE STANDARD DRAWING AND SHALL BE CONSTRUCTED ACCORDINGLY. UNLESS MODIFICATIONS ARE NOTED ON THE PLAN OR COVER SHEET. ANY NUMBER SHOWN BELOW THE STANDARD DRAWING NUMBER INDICATES THE SPECIFIC ALTERNATE TO BE CONSTRUCTED.
- PIPE BEDDING 6" CRUSHED AGGREGATE BASE (C.A.B.) AND CLSM SLURRY TO TOP OF PIPE BELL. CLSM MIX SHALL BE PER SPECIAL PROVISIONS. IF TRENCH IS UNDER WATER, THE CONTRACTOR SHALL OVER EXCAVATE AN ADDITIONAL 6 INCHES AND DEWATER TRENCH PRIOR TO SETTING 12-INCH G.A.B. BASE. SEE DETAIL ON SHEET 1.
- GEOTECHNICAL BORING NUMBER AND LOCATION. PER GEOTECHNICAL REPORT INCLUDED IN THE SPECIAL PROVISIONS.
- ABANDON EXISTING SEWER PIPE AND MANHOLES IN PLACE
- EXISTING SEWER TO REMAIN IN SERVICE
- PROTECT AND SUPPORT IN PLACE
- CONNECT EXISTING SERVICE LATERALS TO PROPOSED 27" VCP PER STANDARD DRAWING 562.
- ABANDON MANHOLE AND REPLACE STAMPED CONCRETE TO MATCH EXISTING.

SEWER LINE DATA

	L	BEARING
7	68.84'	S 1°37'00" W
8	328.72'	S 0°57'43" W
9	402.59'	S 0°56'52" W
10	49.85'	S 0°56'52" W

BENCHMARK
G3-A2 BRASS DISK STAMPED "G3-A" IN A WELL MONUMENT AT THE INTERSECTION OF VAN BUREN BLVD. AND COLORADO AVE.
ELEV-- 742.228 (NGVD 29)

ENGINEER IN RESPONSIBLE CHARGE
LONNY LEV YOUNG
R.C.E. No. 43216 expires 03-31-2012
DATE 05/19/2011

CITY OF RIVERSIDE, CALIFORNIA
PUBLIC WORKS DEPARTMENT

APPROVED BY: [Signature]
BY DATE: [Signature]
INSPECTOR: [Signature]
SURVEYOR: [Signature]
ENGINEERING MANAGER: [Signature]

DESIGNED BY: ML DRAWN BY: ML CHECKED BY: LLY

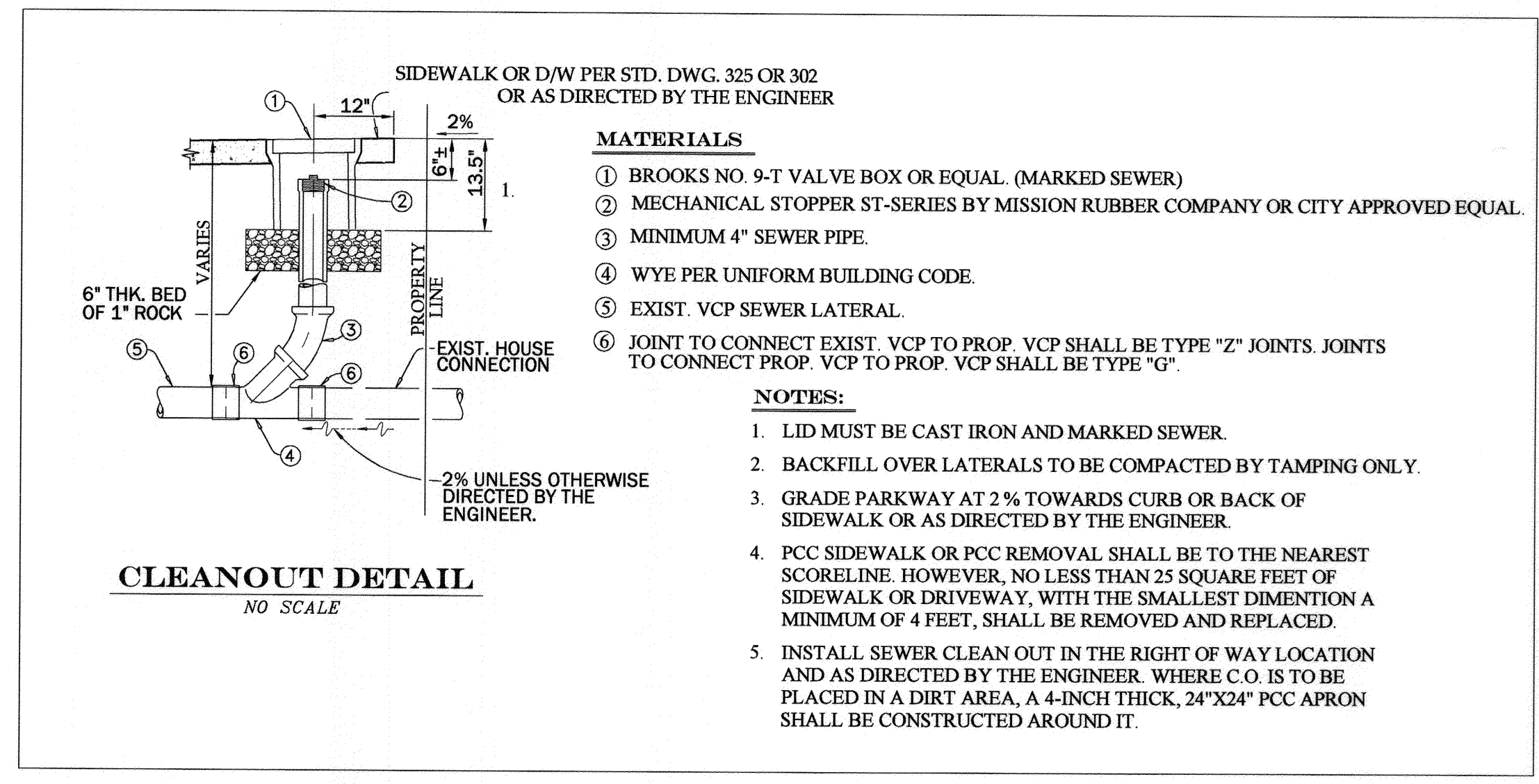
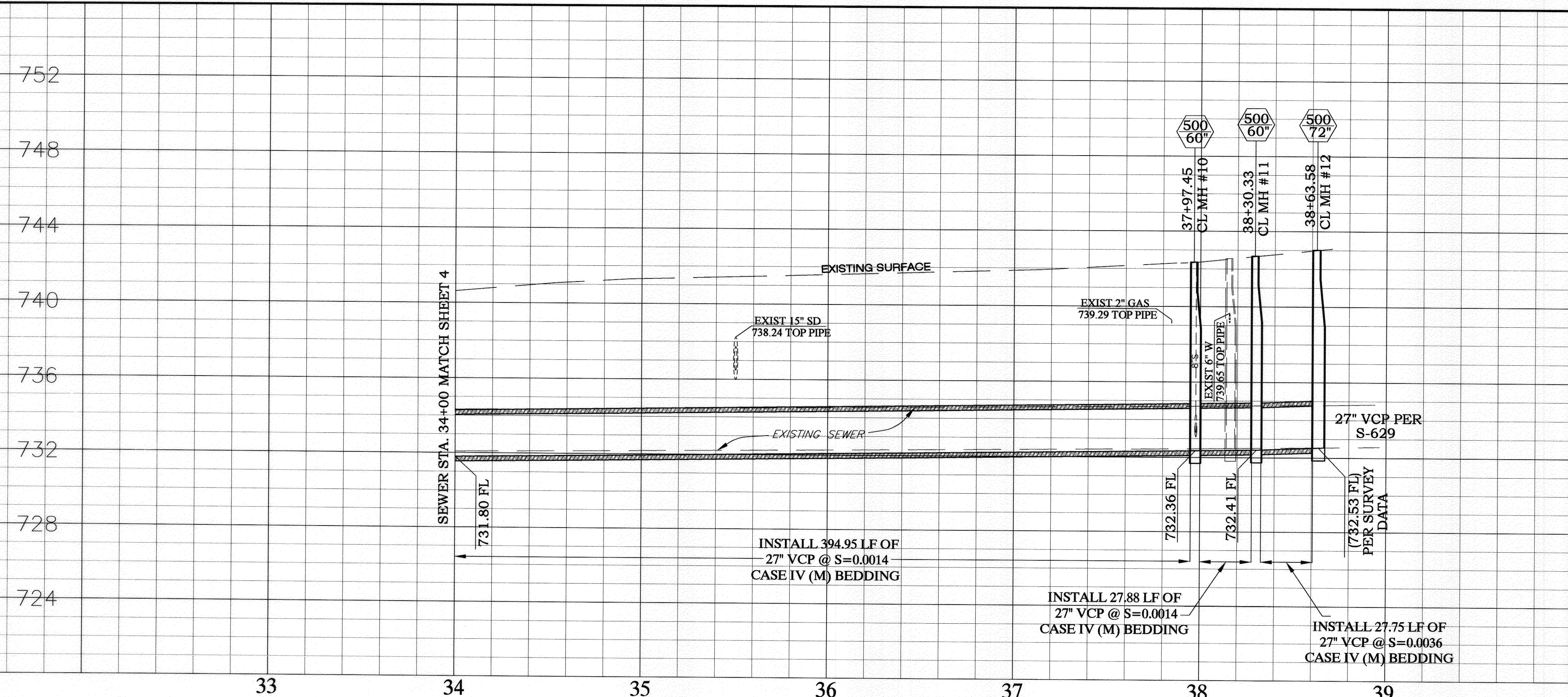
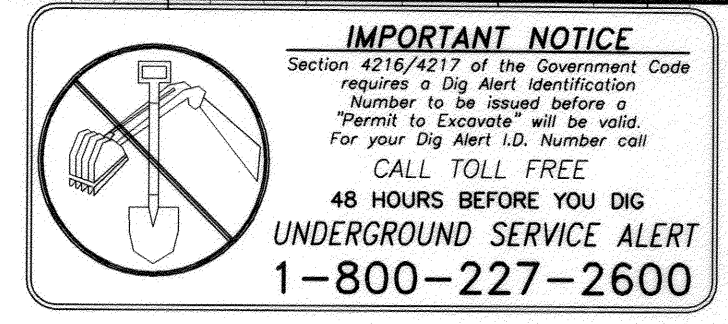
VAN BUREN SEWER REPLACEMENT- PHASE II
FROM SLY JACKSON STREET TO WELLS AVENUE

HORIZ. SCALE: 1" = 40' VERT. SCALE: 1" = 4'

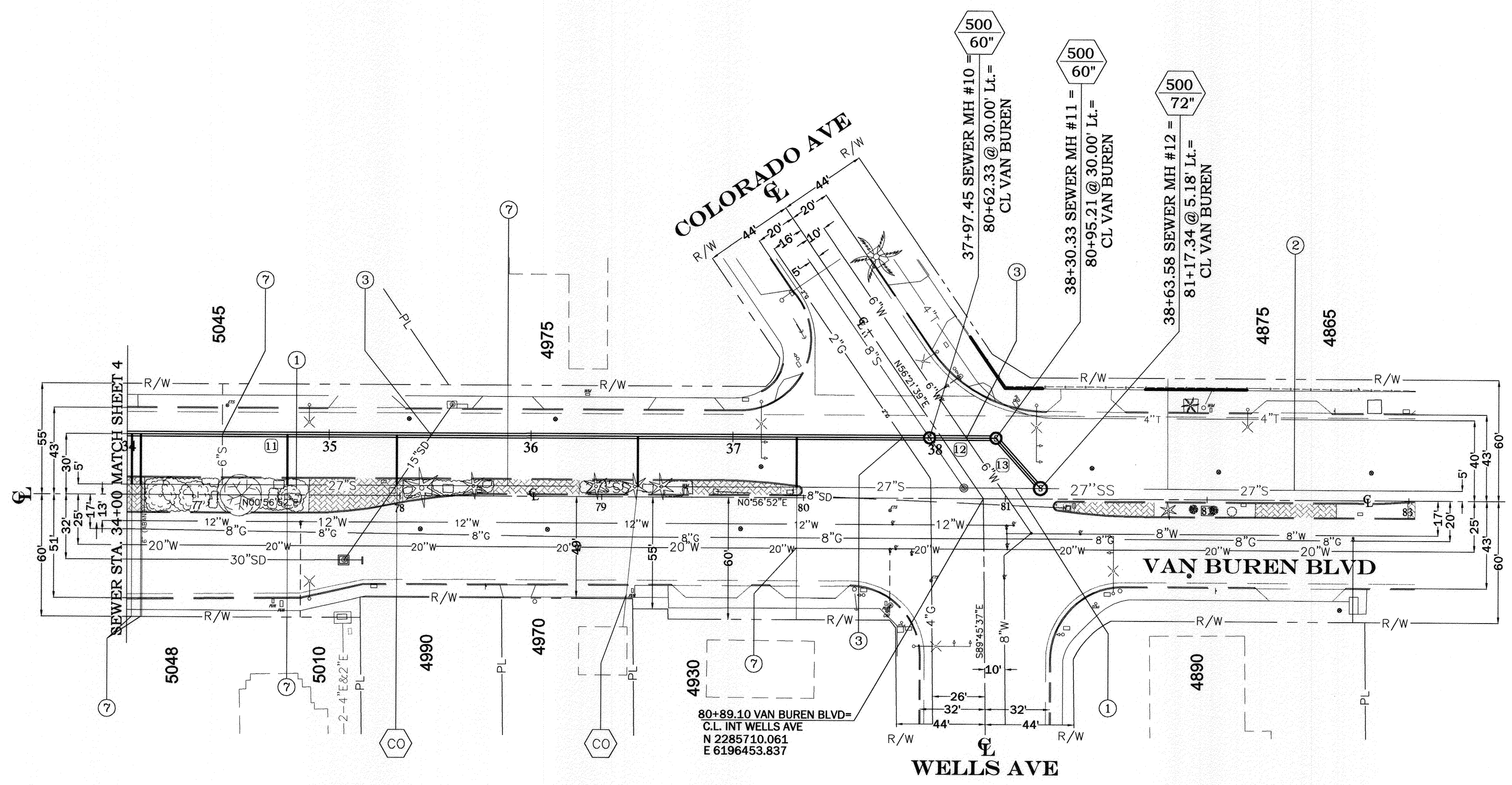
SHEET 4 OF 5

ACC. No. 984423203-440301XX
W.O. 1021703

S-2085



- MATERIALS**
- 1 BROOKS NO. 9-T VALVE BOX OR EQUAL. (MARKED SEWER)
 - 2 MECHANICAL STOPPER ST-SERIES BY MISSION RUBBER COMPANY OR CITY APPROVED EQUAL.
 - 3 MINIMUM 4" SEWER PIPE.
 - 4 WYE PER UNIFORM BUILDING CODE.
 - 5 EXIST. VCP SEWER LATERAL.
 - 6 JOINT TO CONNECT EXIST. VCP TO PROP. VCP SHALL BE TYPE "Z" JOINTS. JOINTS TO CONNECT PROP. VCP TO PROP. VCP SHALL BE TYPE "G".
- NOTES:**
1. LID MUST BE CAST IRON AND MARKED SEWER.
 2. BACKFILL OVER LATERALS TO BE COMPACTED BY TAMPING ONLY.
 3. GRADE PARKWAY AT 2% TOWARDS CURB OR BACK OF SIDEWALK OR AS DIRECTED BY THE ENGINEER.
 4. PCC SIDEWALK OR PCC REMOVAL SHALL BE TO THE NEAREST SCORELINE. HOWEVER, NO LESS THAN 25 SQUARE FEET OF SIDEWALK OR DRIVEWAY, WITH THE SMALLEST DIMENTION A MINIMUM OF 4 FEET, SHALL BE REMOVED AND REPLACED.
 5. INSTALL SEWER CLEAN OUT IN THE RIGHT OF WAY LOCATION AND AS DIRECTED BY THE ENGINEER. WHERE C.O. IS TO BE PLACED IN A DIRT AREA, A 4-INCH THICK, 24"x24" PCC APRON SHALL BE CONSTRUCTED AROUND IT.



SPECIFIC CONSTRUCTION NOTES

- NUMBERS ABOVE 100 IN A HEXAGON ON THE PLAN REFER TO THE RESPECTIVE STANDARD DRAWING AND SHALL BE CONSTRUCTED ACCORDINGLY. UNLESS MODIFICATIONS ARE NOTED ON THE PLAN OR COVER SHEET ANY NUMBER SHOWN BELOW THE STANDARD DRAWING NUMBER INDICATES THE SPECIFIC ALTERNATE TO BE CONSTRUCTED.
- 452 M PIPE BEDDING 6" CRUSHED AGGREGATE BASE (C.A.B.) AND CLSM SLURRY TO TOP OF PIPE BELL. CLSM MIX SHALL BE PER SPECIAL PROVISIONS. IF TRENCH IS UNDER WATER, THE CONTRACTOR SHALL OVER EXCAVATE AN ADDITIONAL 6 INCHES AND DEWATER TRENCH PRIOR TO SETTING 12-INCH C.A.B. BASE. SEE DETAIL ON SHEET 1.
- CO LOCATE LATERAL AND CONSTRUCT SEWER CLEANOUT PER DETAIL ON SHEET 5
- 1 ABANDON EXISTING SEWER PIPE AND MANHOLES IN PLACE
- 2 EXISTING SEWER TO REMAIN IN SERVICE
- 3 PROTECT AND SUPPORT IN PLACE
- 7 CONNECT EXISTING SERVICE LATERALS TO PROPOSED 27" VCP PER STANDARD DRAWING 562.

SEWER LINE DATA

	L	BEARING
11	397.45'	S 0°56'52" W
12	32.88'	S 0°56'52" W
13	33.25'	S 49°13'35" W

BENCHMARK
G3-A2 BRASS DISK STAMPED "G3-A" IN A WELL MONUMENT AT THE INTERSECTION OF VAN BUREN BLVD. AND COLORADO AVE.
ELEV= 742.228 (NGVD 29)

ENGINEER IN RESPONSIBLE CHARGE

 LONNIE LEW YOUNG
 R.C.E. No. 43216 expires 03-31-2012
 DATE 05/18/2011

CITY OF RIVERSIDE, CALIFORNIA PUBLIC WORKS DEPARTMENT

APPROVED BY	BY	DATE	APPROVED BY
PRINCIPAL ENGINEER	[Signature]	5/18/11	CITY ENGINEER
INSPECTOR	[Signature]		
SURVEYOR	[Signature]		
ENGINEERING MANAGER	[Signature]		

DESIGNED BY ML, DRAWN BY ML, CHECKED BY LLY

VAN BUREN SEWER REPLACEMENT- PHASE II FROM SLY JACKSON STREET TO WELLS AVENUE

ACC. No. 9844423203-440301XX W.O. 1021703

S-2085

HORIZ. SCALE: 1" = 40' VERT. SCALE: 1" = 4'

SHEET 5 OF 5