

RIVERVIEW ADDITION TRACT NO. 5
M.B. 7/7, RIVERSIDE CO.

MISSISSIPPI TRACT M.B. 8/22, R.V. CO.

LOT 2

BLOCK 34
LOT 4

BLOCK 35
LOT 2

DISTRICT BOUNDARY

ORDWAY STREET

DELAWARE AVENUE (VAC.)

EATON STREET (VACATED)

LOMITA STREET

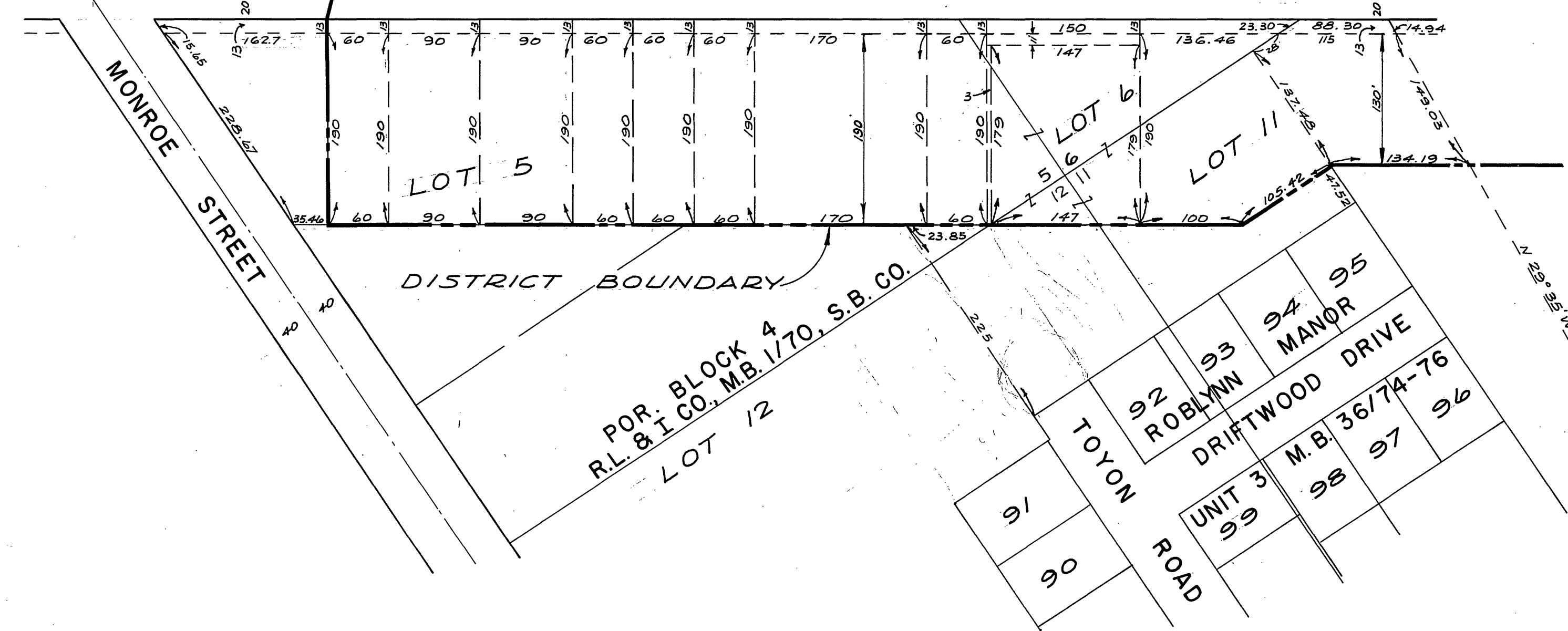
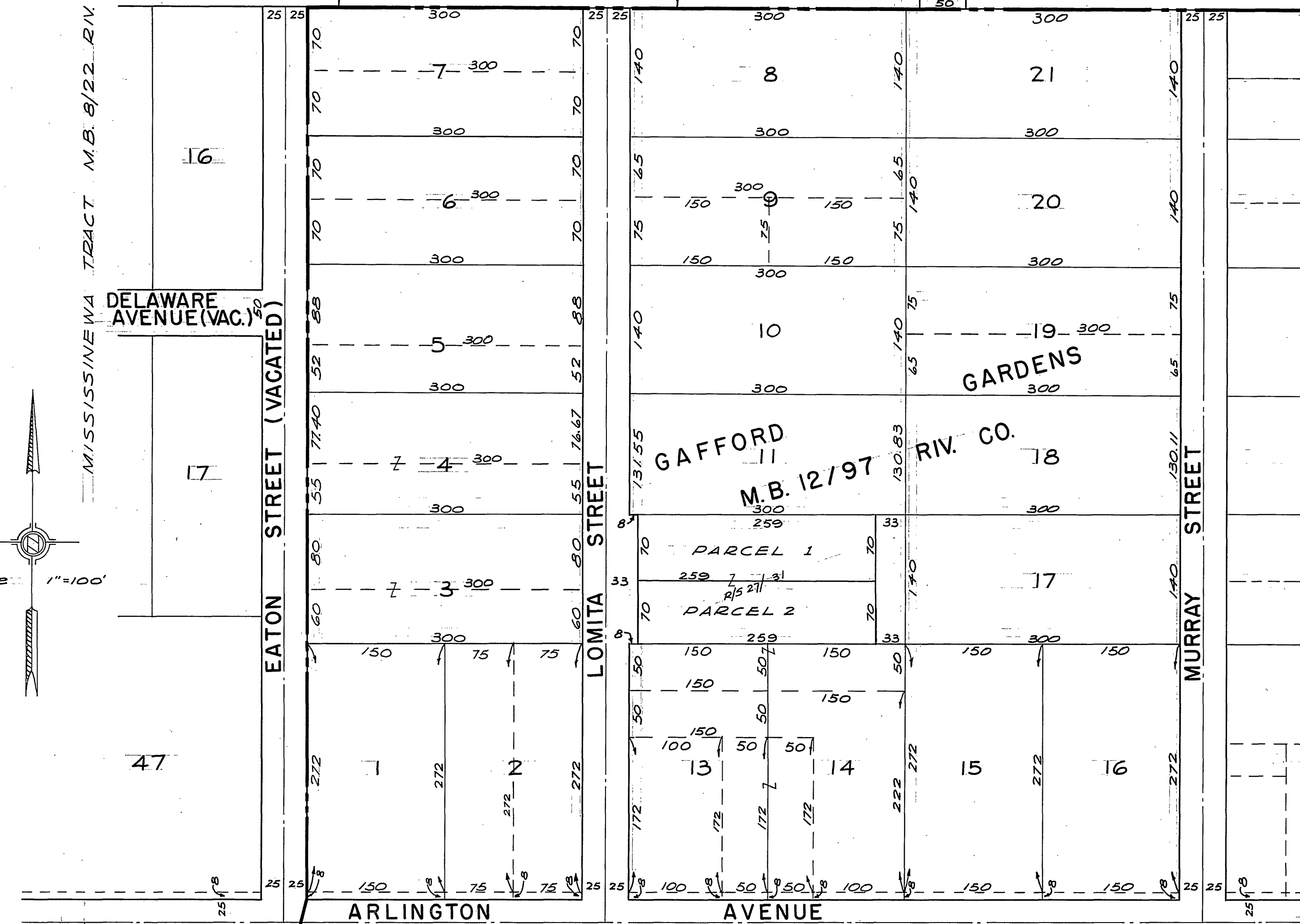
GARDENS

GAFFORD
M.B. 12/97 RIV. CO.

MURRAY STREET

See Sheet 2

Scale 1"=100'



MAP SHOWING THE LANDS INCLUDED WITHIN THE ASSESSMENT DISTRICT TO BE BENEFITED BY THE CONSTRUCTION OF SANITARY SEWER

APPROVED BY
SPRINT A81

CHECKED BY
Ernest H. Waller
R.E. 9876

Matines

S-220-A

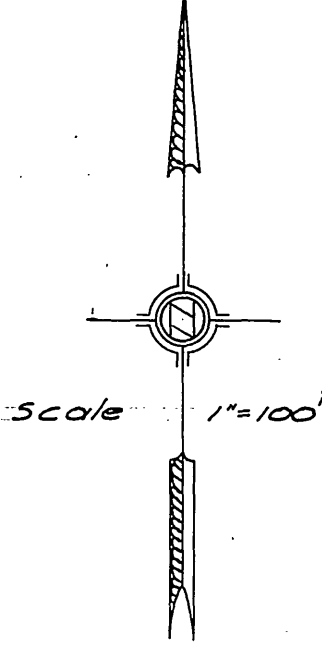
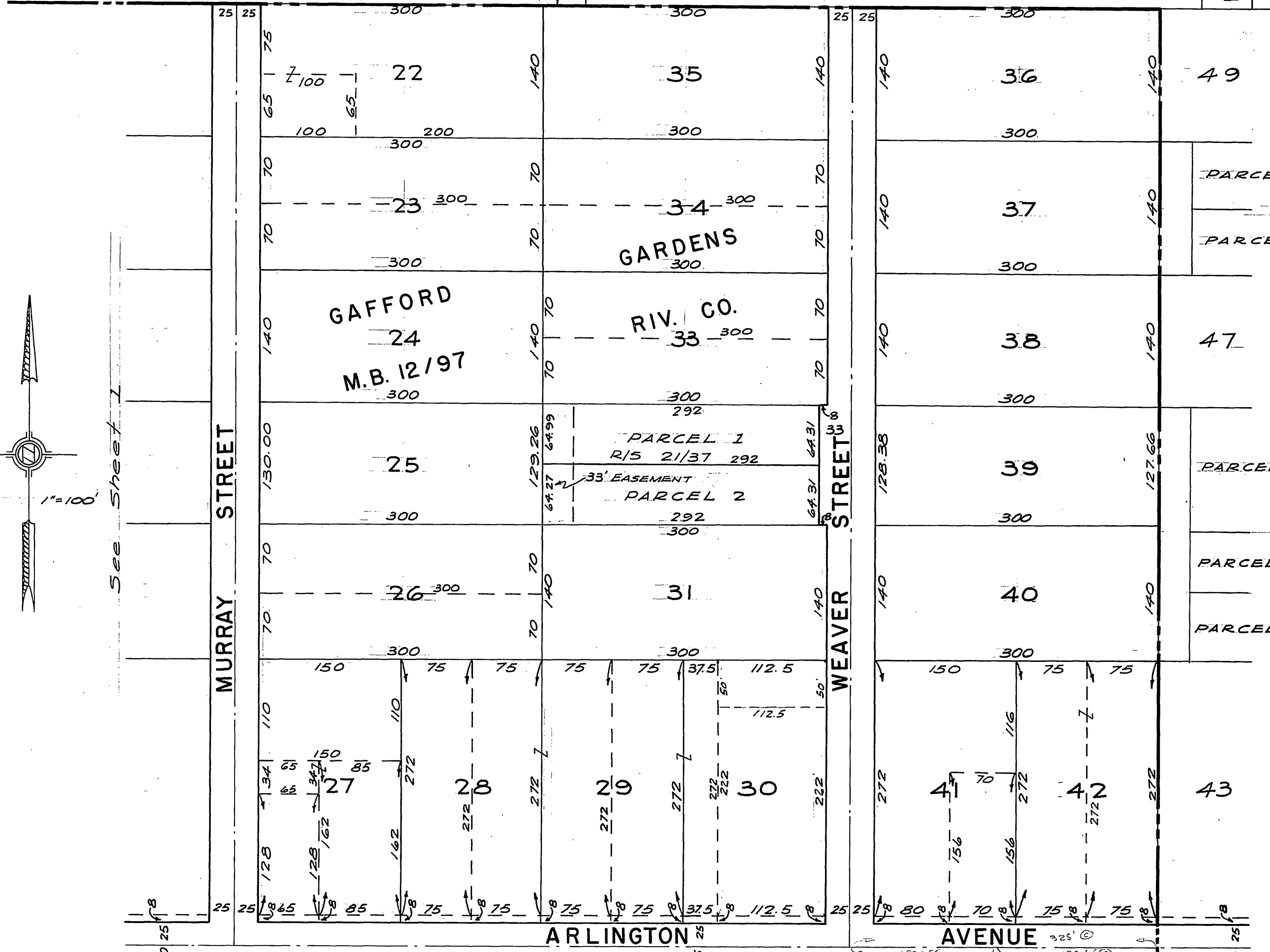
11-30-60

RIVERVIEW ADDITION TRACT NO. 5
M.B. 7/7 RIV. CO.
BLOCK 35

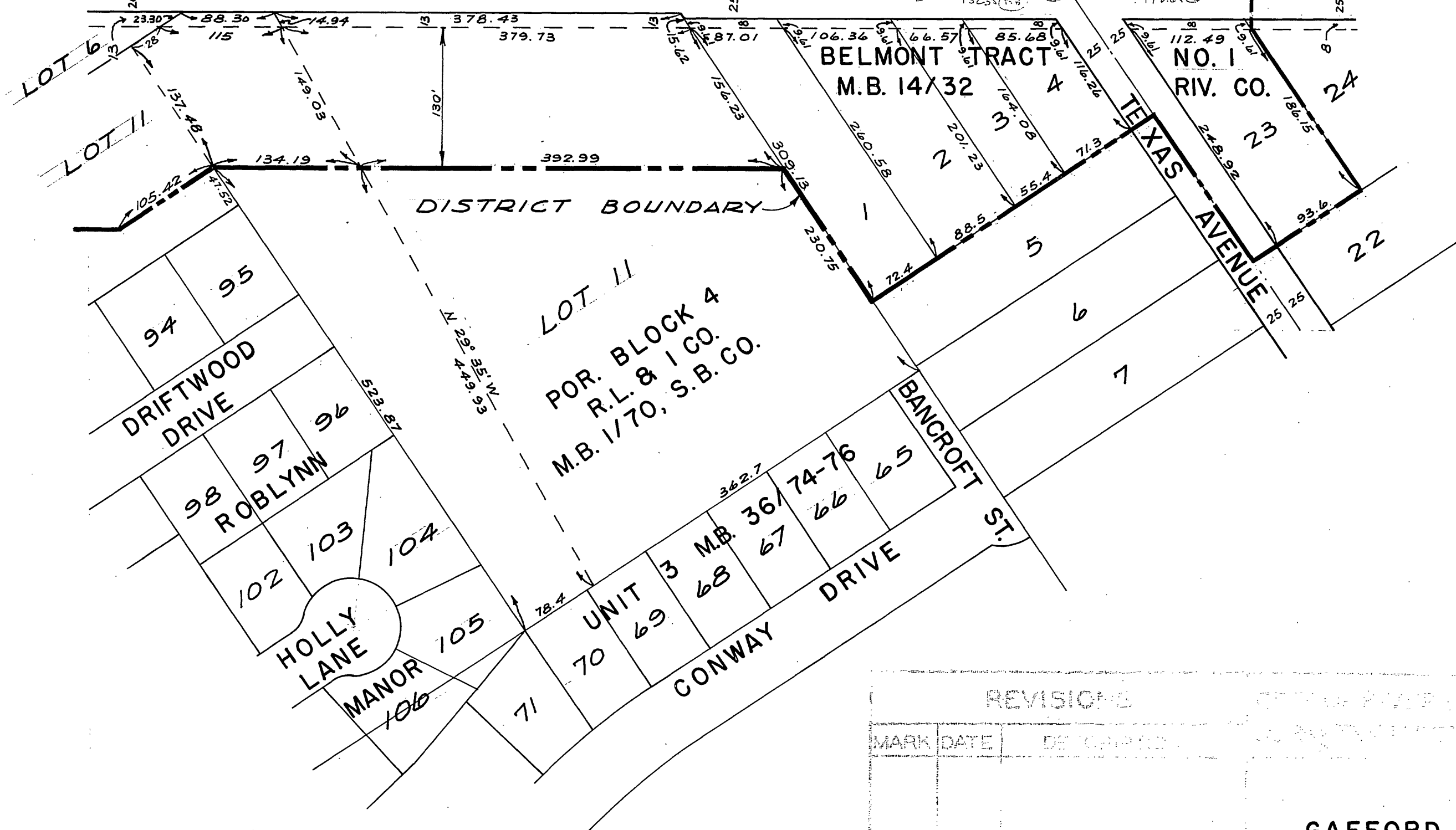
LOT 2 LOT 4

DISTRICT BOUNDARY

FREMONT ST.



See Sheet 1



| REVISIONS | | DATE | BY |
|-----------|--|------|----|
| | | | |
| | | | |

GAFFORD GARDENS
SANITARY SEWER DISTRICT

MAP SHOWING THE LANDS INCLUDED WITHIN THE ASSESSMENT DISTRICT TO BE BENEFITED BY THE CONSTRUCTION OF SANITARY SEWERS

Ernest N. Webb
R.E. 9876

J.P. Jhol

11-30-60

S-220-A

2 2