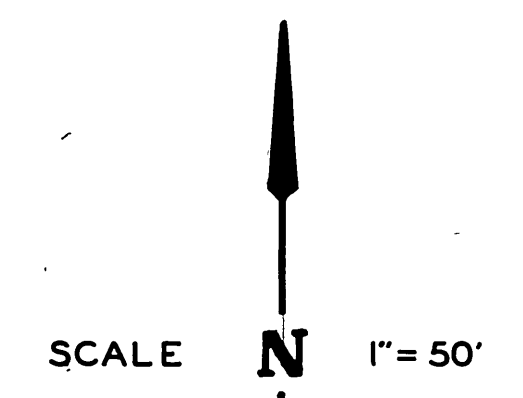
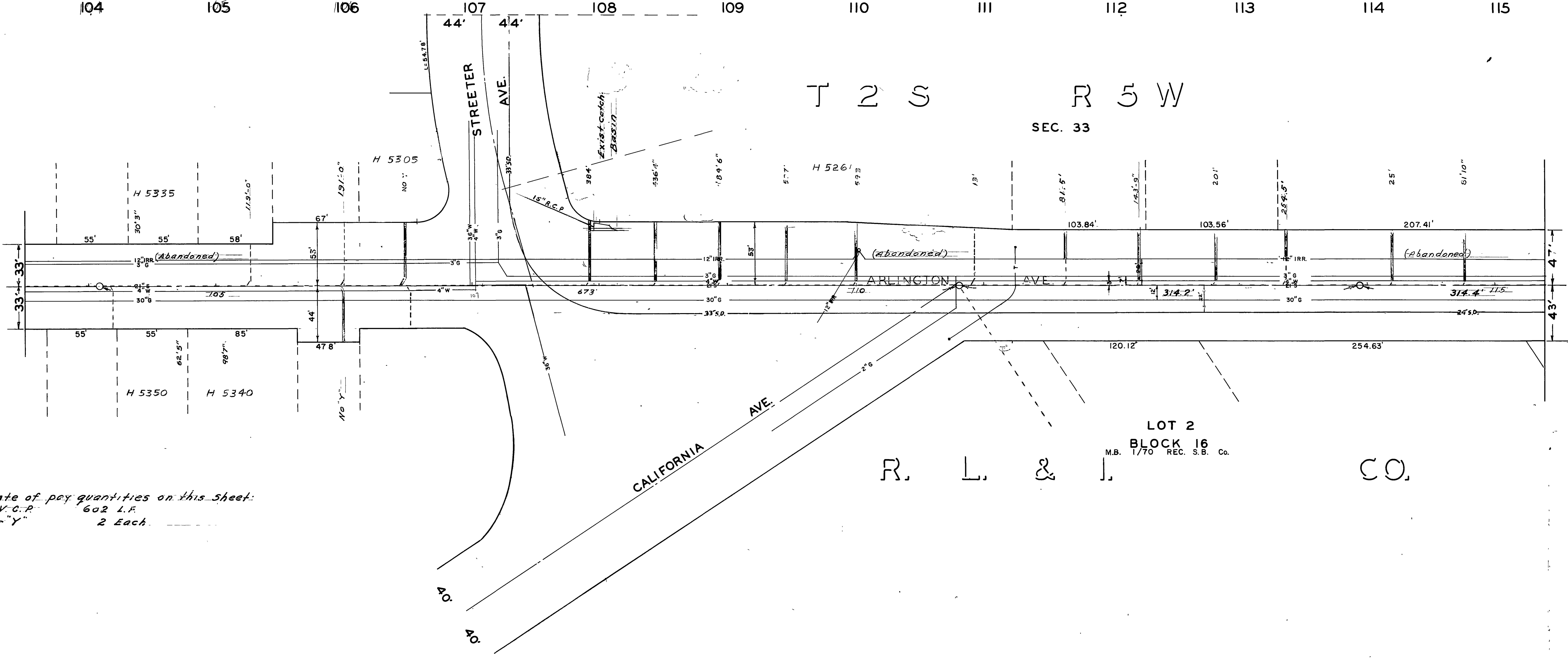
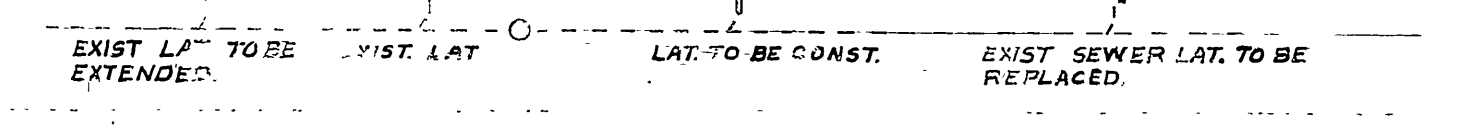


PROFILE	
NO.	DATE
DESIGNED BY	
CHECKED BY	
APPROVED BY	
DATE	

B.M.
 F.B. 504/27-33
 Scales: Hor. 1"=30'
 Vert. 1"=5'

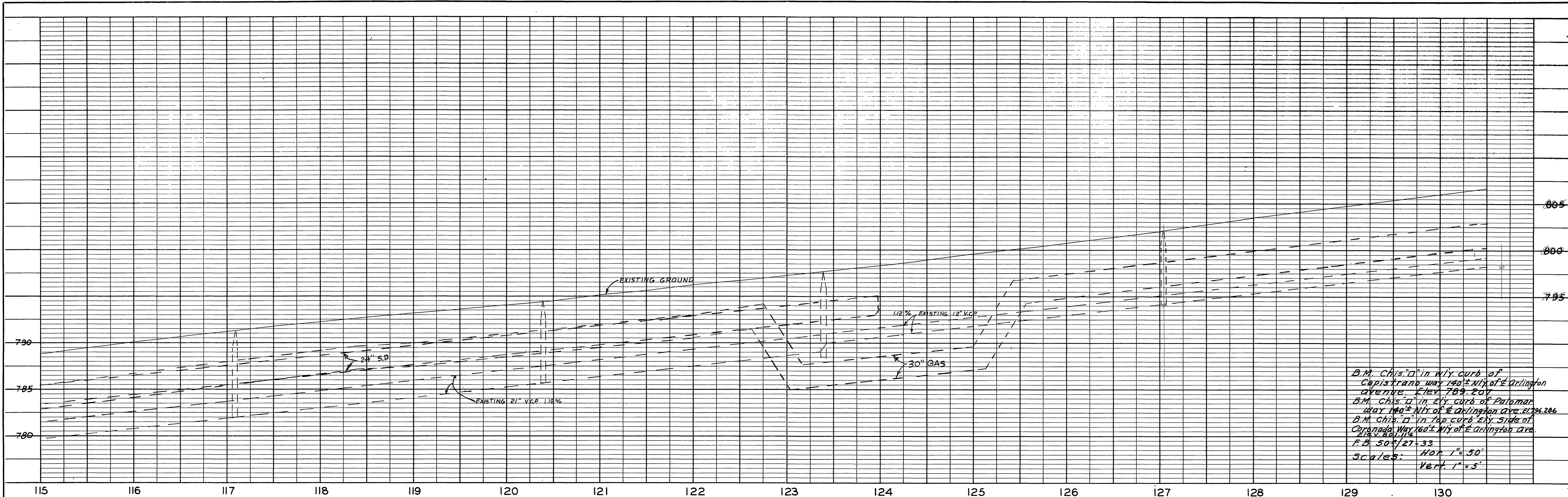


- LEGEND
- NOTE: 1. CONSTRUCT NEW LATERALS WHERE HOUSES HAVE BEEN MOVED AS DESIGNATED IN THE FIELD.
 - 2. (20') INDICATES DIST. FROM M.H. TO Y LOCATION OR TO EXISTING LATERAL (NO V) INDICATES FURNISHING AND INSTALLING A COLLAR "Y" SADDLE
 - 3. ALL LATERALS TO BE CONST. ARE LOCATED FROM 30" M. STREAM M.H. AS INDICATED.
 - 4. ALL NEW LATERALS TO BE AT 2% GRADE TO R.

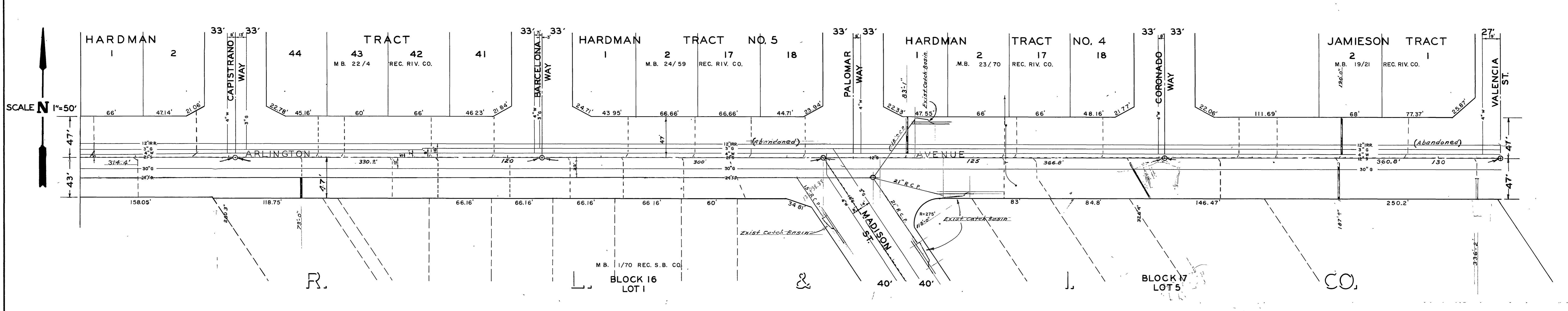


Estimate of qty quantities on this sheet:
 4" V.C.P. 602 L.F.
 Collar "Y" 2 Each

REVISIONS			CITY OF RIVERSIDE CALIFORNIA DEPARTMENT OF PUBLIC WORKS	
MARK	DATE	DESCRIPTION	MAJOR CITY STREETS PROJECT NO. 100	
	Dec. 50	GENERAL REVISION	ARLINGTON AVE. SEWER LATERAL CONST	
			DE CAMP CT. TO CAPISTRANO	
DESIGNED BY	CHECKED BY	APPROVED BY	S-225 SHEET 1 OF 4	
DRAWN BY BLOW		DIRECTOR OF PUBLIC WORKS		
RECOMMENDED BY	ASSISTANT CITY ENGINEER	DATE 9-8-60		



B.M. Chis. 11 in Wly curb of Capistrano way 100' Nly of E Arlington Avenue Elev. 789.20
 B.M. Chis. 11 in Wly curb of Palomar way 100' Nly of E Arlington Ave. E. 196.286
 B.M. Chis. 11 in Top curb Ely. Side of Coronado Way 160' Nly of E Arlington Ave. Elev. 801.15
 F.D. 504/27-33
 Scales: Hor 1"=50'
 Vert 1"=3'

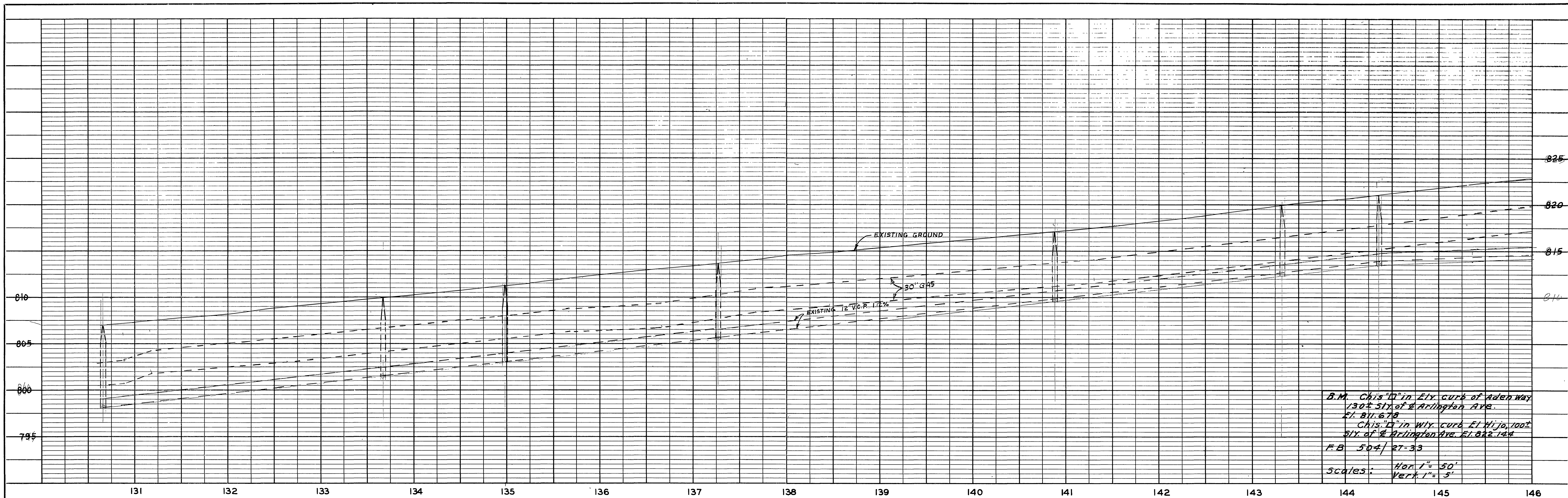


Estimate of pay quantities on this sheet
 4" V.C.P. 254 L.F.

REVISIONS			CITY OF RIVERSIDE CALIFORNIA DEPARTMENT OF PUBLIC WORKS	
MARK	DATE	DESCRIPTION		
	Dec-60	General Revision	MAJOR CITY STREETS PROJECT NO. 100	
			ARLINGTON AVE SEWER LATERAL CONST.	
			CAPISTRANO TO VALENCIA ST.	
DESIGNED BY	CHECKED BY	APPROVED BY	S-225 SHEET 2 OF 4	
DRAWN BY B. LOW		<i>[Signature]</i> DIRECTOR OF PUBLIC WORKS		
RECOMMENDED BY <i>[Signature]</i>	ASSISTANT CITY ENGINEER	DATE 9-8-60		

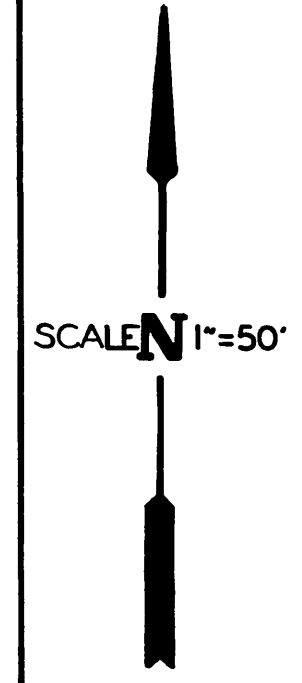
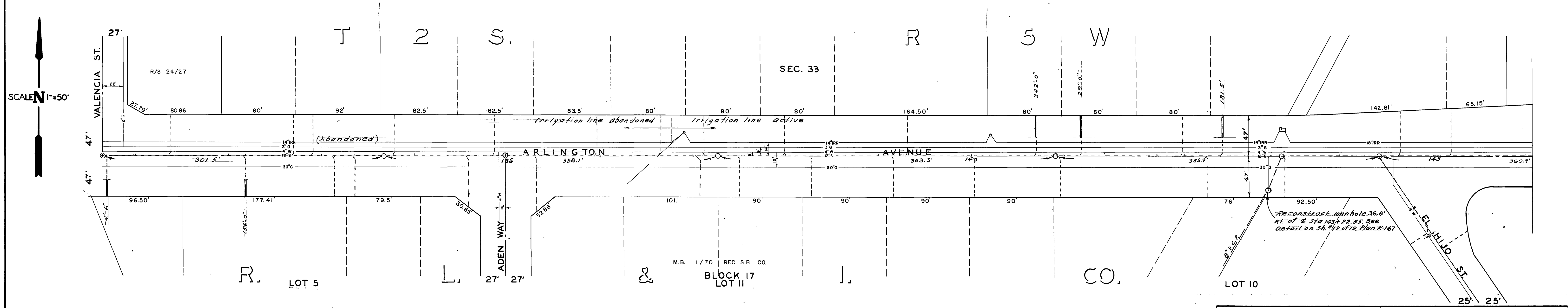
PROFILE	SUBMITTED	DATE
NOTE BOOK	PLOTTED	
NO.	REVISIONS CHECKED	
	STRUCTURE	
	NO. 1	
	NO. 2	
	NO. 3	
	NO. 4	
	NO. 5	
	NO. 6	
	NO. 7	
	NO. 8	
	NO. 9	
	NO. 10	

PLAN	SUBMITTED	DATE
NOTE BOOK	PLOTTED	
NO.	REVISIONS CHECKED	
	STRUCTURE	
	NO. 1	
	NO. 2	
	NO. 3	
	NO. 4	
	NO. 5	
	NO. 6	
	NO. 7	
	NO. 8	
	NO. 9	
	NO. 10	



B.M. Chis. 12" in Ely curb of Aden Way
130± S.W. of E Arlington Ave.
E. 811.678
Chis. 12" in Wly curb El Hijo, 100±
S.W. of E Arlington Ave. E. 822.144
F.B. 504/27-33
Scales: Hor. 1" = 50'
Vert. 1" = 5'

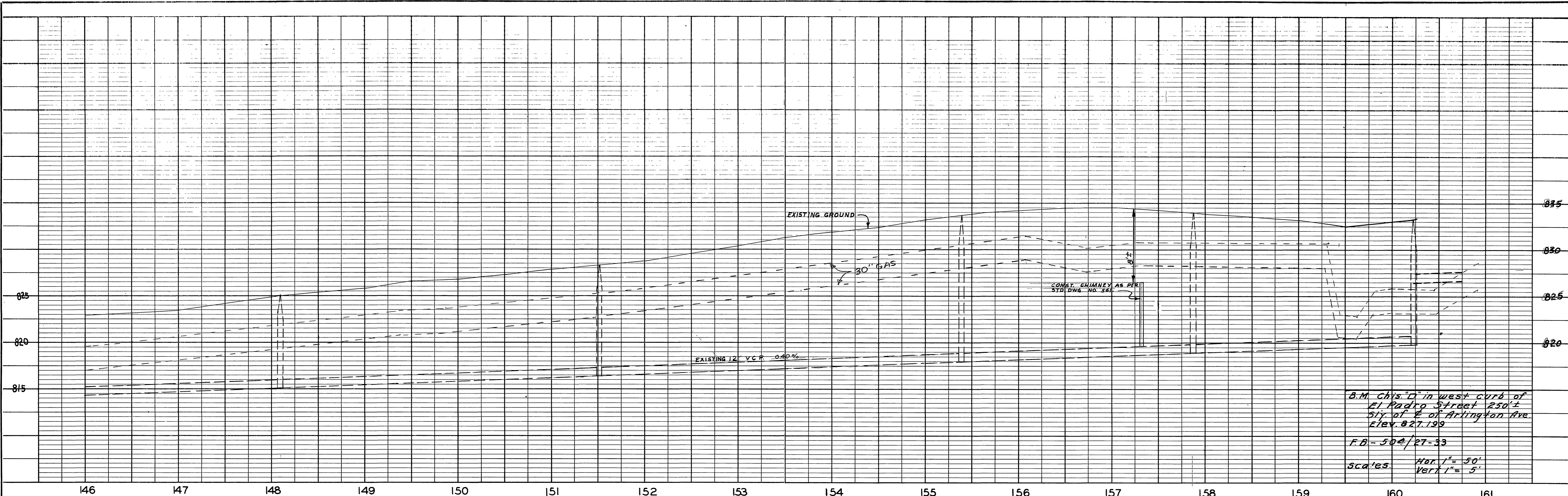
PROFILE	
SUBMITTED	BY
NOTED	DATE
DESIGNED	
CHECKED	
APPROVED	



PLAN	
SUBMITTED	BY
NOTED	DATE
DESIGNED	
CHECKED	
APPROVED	

Estimate of pay quantities on this sheet
-4" V.C.P. 110 L.F.

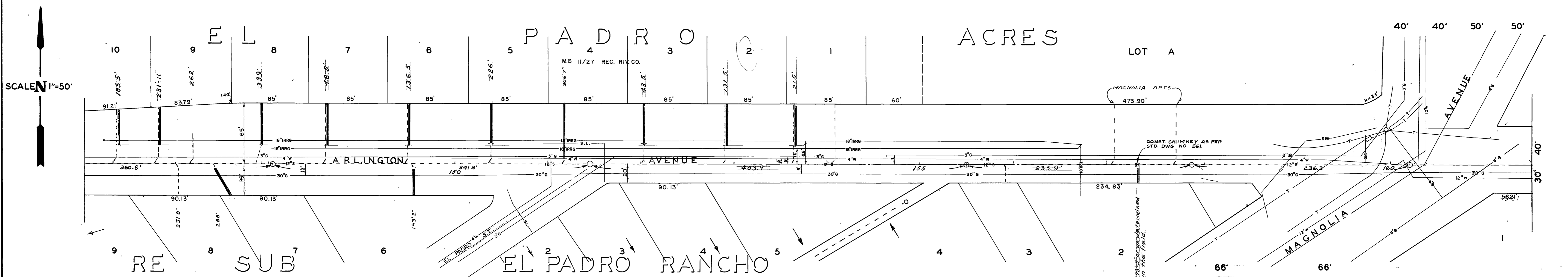
REVISIONS			CITY OF RIVERSIDE CALIFORNIA DEPARTMENT OF PUBLIC WORKS	
MARK	DATE	DESCRIPTION	MAJOR CITY STREETS PROJECT NO 100	
	Dec-60	General Revision	ARLINGTON AVE. SEWER LATERAL CONST.	
			VALENCIA TO EL HIJO ST.	
DESIGNED BY	CHECKED BY	APPROVED BY	S-225	
DRAWN BY B LOW		<i>[Signature]</i> DIRECTOR OF PUBLIC WORKS		
RECOMMENDED BY	ASSISTANT CITY ENGINEER	DATE 9-9-60		
			SHEET 3 OF 4	



B.M. Chis. "D" in west curb of
 El Padro Street 250'±
 51'± of E of Arlington Ave.
 Elev. 827.129

F.B. - 504/27-33

Scales: Hor. 1" = 50'
 Vert. 1" = 5'



SCALE 1" = 50'

Estimate of pay quantities on this sheet

4" V.C.P. 54.5 L.F.

Chimney 8 L.F.

REVISIONS			CITY OF RIVERSIDE CALIFORNIA DEPARTMENT OF PUBLIC WORKS	
MARK	DATE	DESCRIPTION	MAJOR CITY STREETS PROJECT NO. 100	
	Dec-60	General Revision	ARLINGTON AVE SEWER LATERAL CONST.	
			EL HIJO TO MAGNOLIA	
DESIGNED BY	CHECKED BY	APPROVED BY	S-225	
DRAWN BY B. LOW		<i>[Signature]</i> DIRECTOR OF PUBLIC WORKS		
RECOMMENDED BY	ASSISTANT CITY ENGINEER	DATE 9-8-60		

PROFILE	DATE
SURVEYED	
PLOTTED	
CHECKED	
BY	

PLAN	DATE
SURVEYED	
PLOTTED	
CHECKED	
BY	