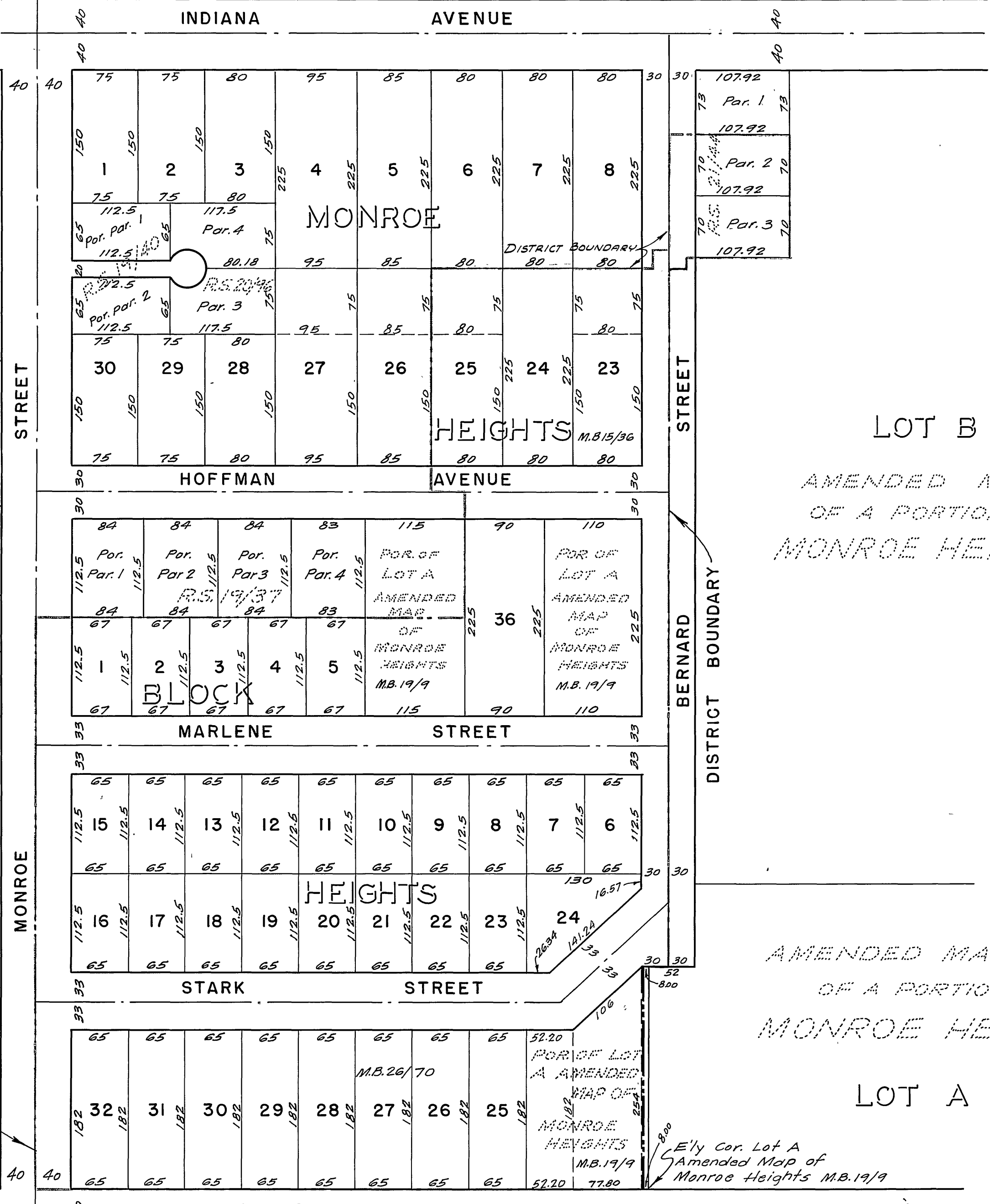
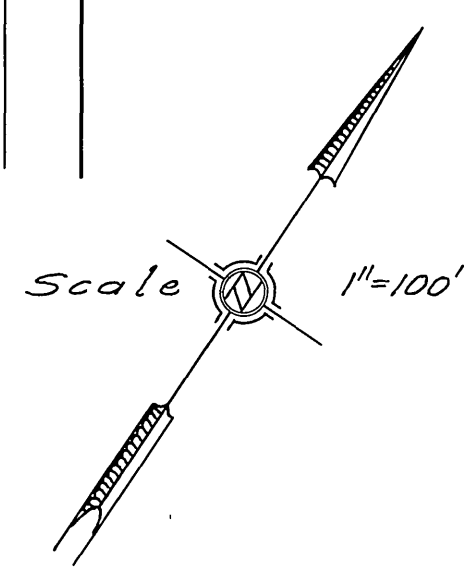


BLOCK 31
R.L. & J. CO. LANDS



AMENDED MAP
OF A PORTION OF
MONROE HEIGHTS
M.B. 19/9

AMENDED MAP NO. 2
OF A PORTION OF
MONROE HEIGHTS
M.B. 19/39



BLOCK HEIGHTS
SANITARY SEWER
DISTRICT

MAP SHOWING THE LANDS INCLUDED WITHIN THE
ASSESSMENT DISTRICT TO BE BENEFITED BY THE
CONSTRUCTION OF SANITARY SEWER

h.l.m.
h.l.m. *E. H. Webb*
R.E. 9876
A. R. Thiel
J. M. ...
March 23, 1901

S-251A
1 1