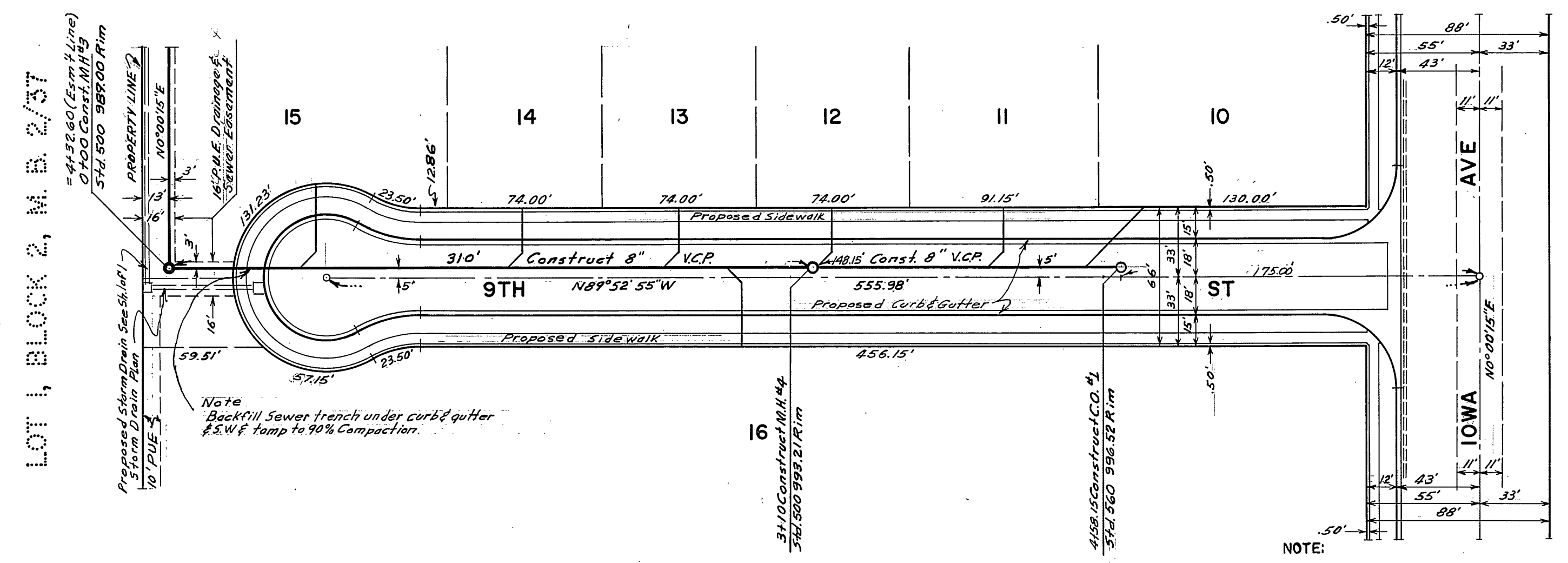
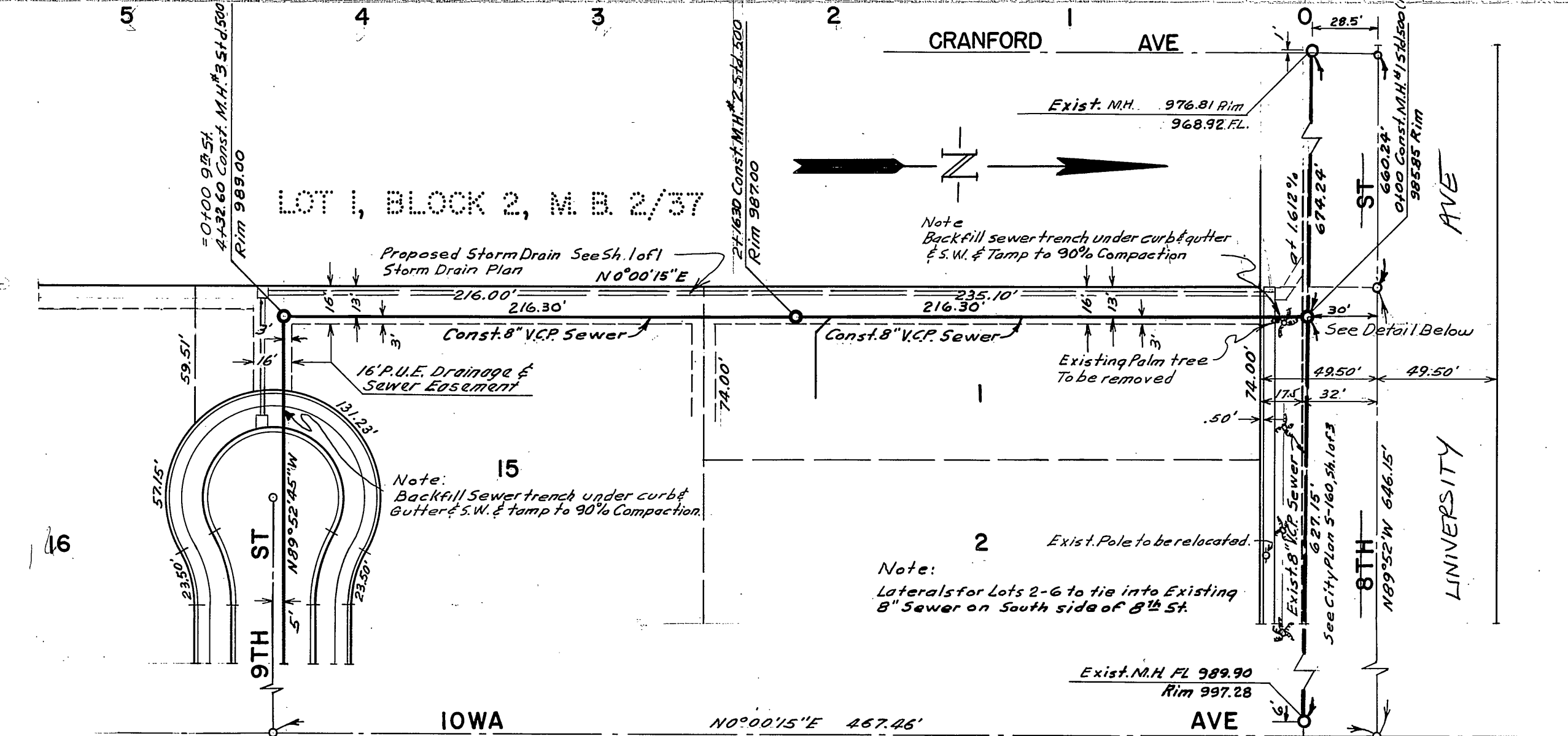


PROFILE SHEET  
 PLOTTED  
 NOTE BOOK GRADES CHECKED  
 BY: M.S. HOFFER  
 DATE: 11/21/61  
 STRUCTURE WITHIN: NO. 2077

Bench Mark  
 Lead Stack Culvert headwall at S.E.  
 corner 8TH & IOWA  
 Elev. = 998.945

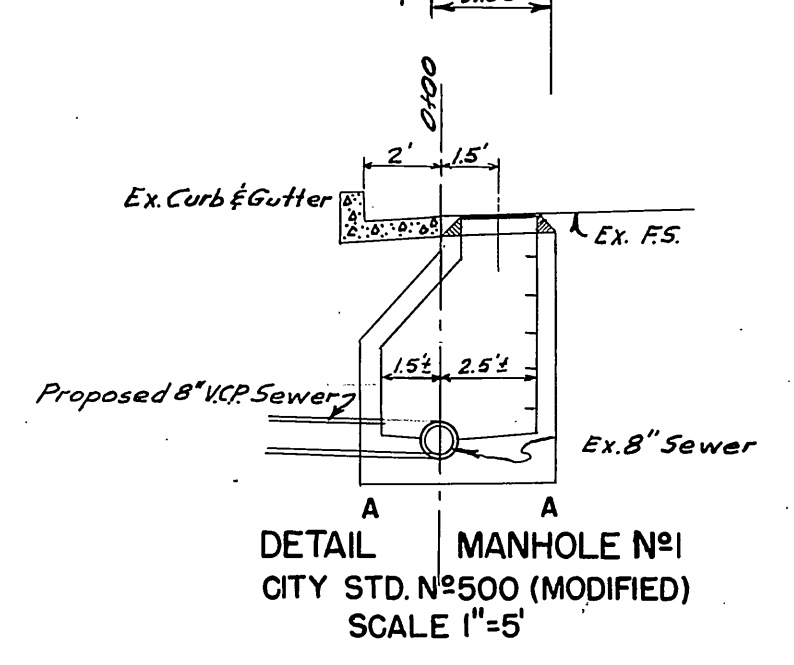
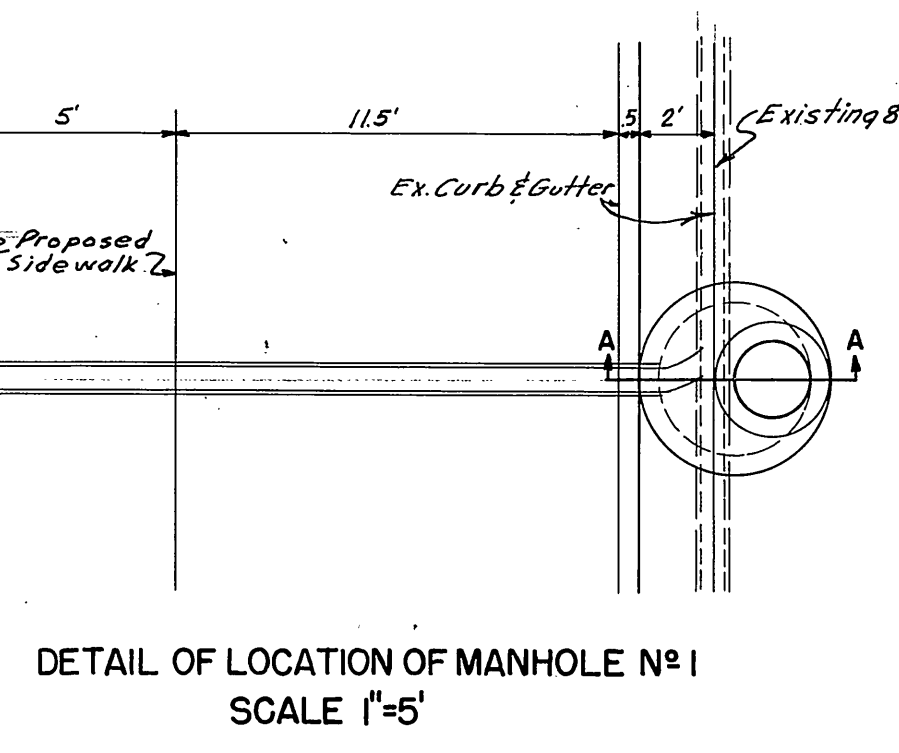


NOTE:  
 EXACT LOCATION OF LATERALS TO BE DETERMINED  
 IN THE FIELD.

PLAN SHEET  
 PLOTTED  
 NOTE BOOK GRADES CHECKED  
 BY: M.S. HOFFER  
 DATE: 11/21/61  
 STRUCTURE WITHIN: NO. 2077

ESTIMATE OF SEWER QUANTITIES		
ITEM	UNIT	QUANTITY
MANHOLES STD. 500	EA.	6
CLEANOUTS STD. 560	EA.	1
8" VCP	LIN. FT.	1162
LATERALS	EA.	16

1. ALL CONSTRUCTION SHALL BE IN ACCORDANCE WITH THE CITY STANDARD SPECIFICATIONS, No. 460.
2. ALL M.H. rim elevations to be checked in the field and M.H. rims to be set to meet existing ground or pavement.
3. Maximum vertical spacing of manhole steps shall be 12" in all manholes.
4. Existing utilities are shown from available data but no responsibility is assumed nor implied by the Engineer as to the accuracy or completeness of information shown. Contractor shall verify the location of all utilities before starting the construction.



**RIVERSIDE ENGINEERING CO. INC.**  
 4164 ORANGE ST.  
 RIVERSIDE, CALIFORNIA

APPROVED BY: *Edith D. ...* DATE: 11/21/61  
 Park & Recreation Director

APPROVED BY: *[Signature]* R.C.E. 11957 DATE: 10-18-60

REVISIONS		
MARK	DATE	DESCRIPTION

**CITY OF RIVERSIDE CALIFORNIA**  
 DEPARTMENT OF PUBLIC WORKS

**SEWER PLAN & PROFILE**  
 9TH STREET & EASEMENT  
 TRACT 2077

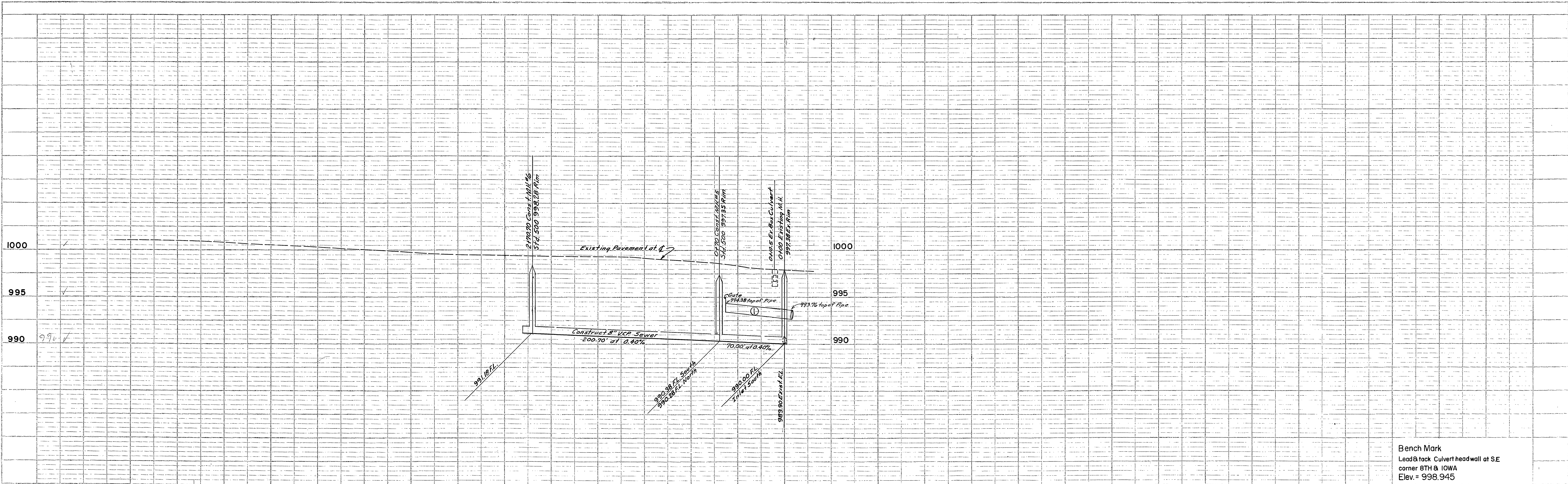
DESIGNED BY: *[Signature]* CHECKED BY: *[Signature]*  
 DRAWN BY: *[Signature]*

RECOMMENDED BY: *[Signature]* ASSISTANT CITY ENGINEER

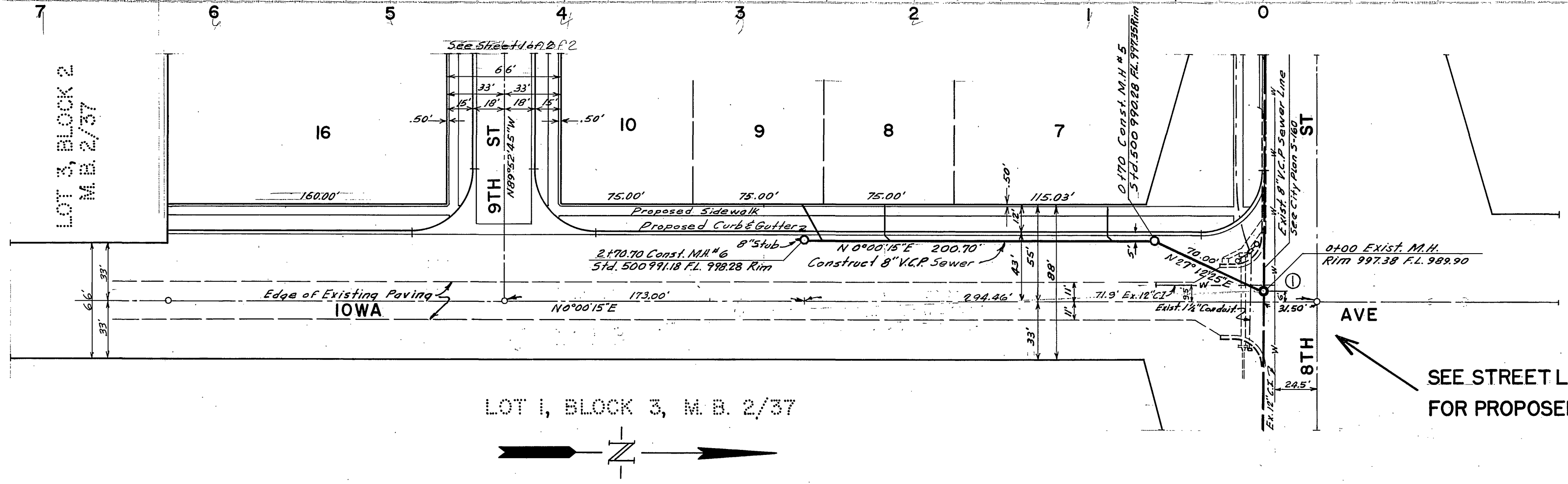
DATE: 2-11-64

HORIZ SCALE 1"=50' VERT SCALE 1"=5'

S-269  
 SHEET 1 OF 2



Bench Mark  
 Lead & tack Culvert headwall at S.E.  
 corner 8TH & IOWA  
 Elev. = 998.945



SEE STREET LIGHTING & TRAFFIC SIGNAL PLAN L5-12097  
 FOR PROPOSED UNDERGROUND ELECTRICAL SYSTEM.

NOTE  
 EXACT LOCATION OF LATERALS TO BE DETERMINED  
 IN THE FIELD.

RIVERSIDE ENGINEERING CO., INC.  
 4164 ORANGE ST.  
 RIVERSIDE, CALIFORNIA  
 APPROVED: [Signature] R.C.E. 11957 DATE 10-18-60

CITY OF RIVERSIDE CALIFORNIA  
 DEPARTMENT OF PUBLIC WORKS

SEWER PLAN & PROFILE  
 IOWA AVE  
 TRACT 2077

HORZ SCALE 1"=50' VERT SCALE 1"=5'

REVISIONS		
MARK	DATE	DESCRIPTION
①	3-2-61	Add water line details 8th & Iowa

DESIGNED BY  
 DRAWN BY  
 RECOMMENDED BY [Signature]  
 ASSISTANT CITY ENGINEER

APPROVED BY [Signature]  
 DIRECTOR OF PUBLIC WORKS  
 DATE 2/7/61

S-269  
 SHEET 2 OF 2

PROFILE	DATE
NO. 1	
NO. 2	
NO. 3	
NO. 4	
NO. 5	
NO. 6	
NO. 7	
NO. 8	
NO. 9	
NO. 10	

PLAN	DATE
NO. 1	
NO. 2	
NO. 3	
NO. 4	
NO. 5	
NO. 6	
NO. 7	
NO. 8	
NO. 9	
NO. 10	