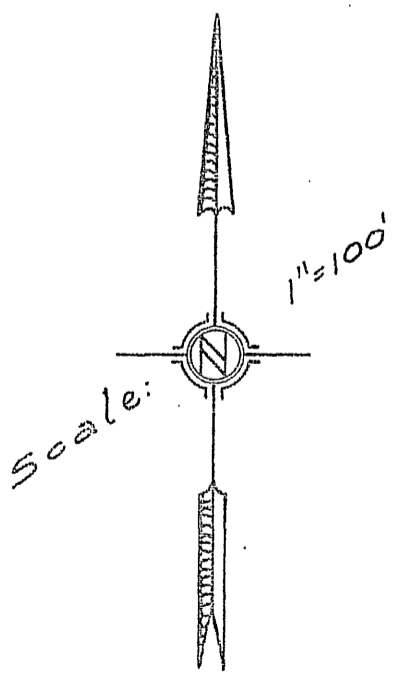
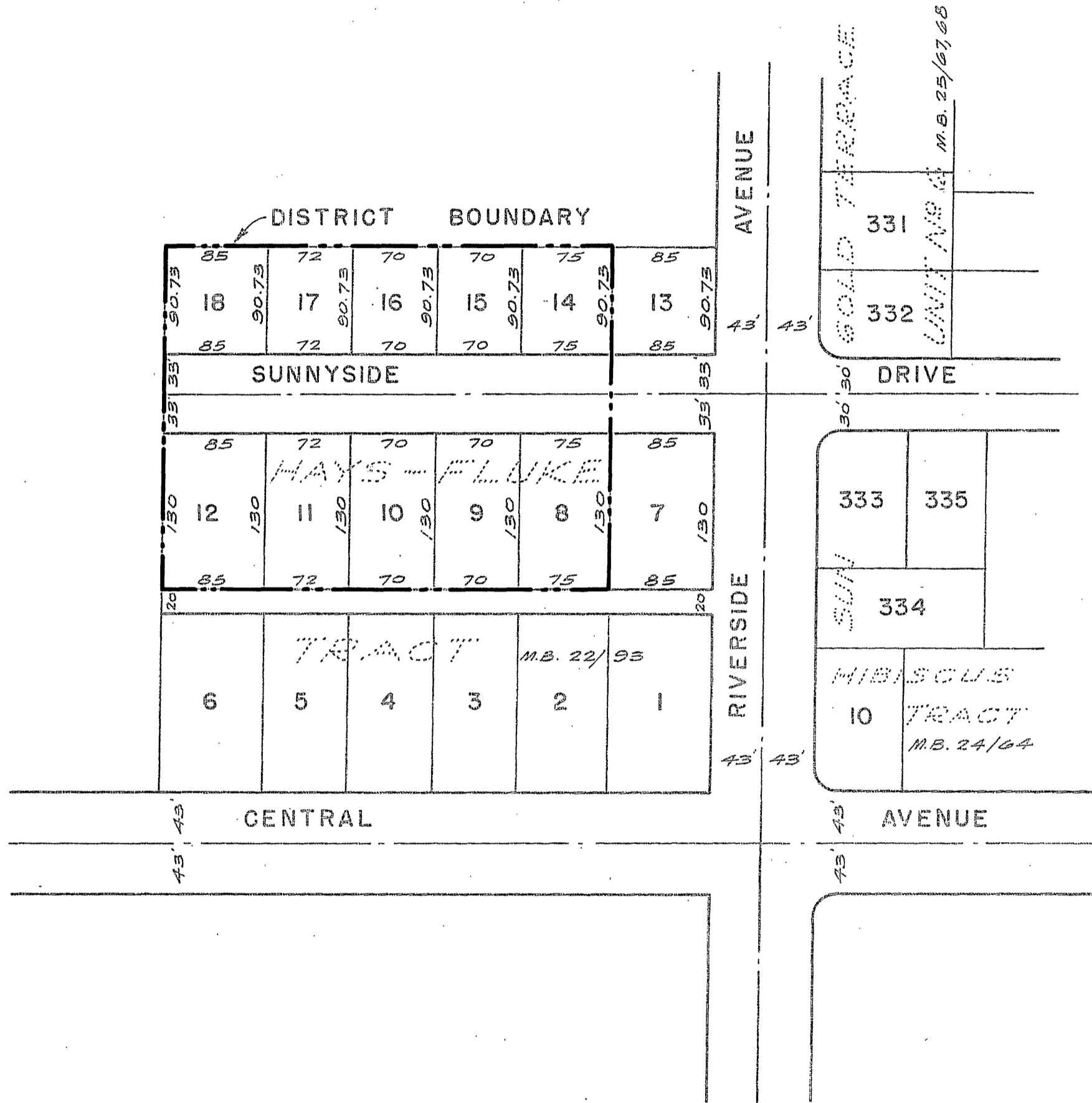


REVISIONS			CITY OF RIVERSIDE CALIFORNIA DEPARTMENT OF PUBLIC WORKS
MARK	DATE	DESCRIPTION	
			<b>SUNNYSIDE DRIVE SANITARY SEWER DISTRICT</b>
DESIGNED BY <i>h.l.m.</i> CHECKED BY <i>Ernest N. Wall</i> DRAWN BY <i>h.l.m.</i> <i>R.E. 9876</i>			<b>S-279A</b> <small>SHEET 1 OF 1</small>
APPROVED BY <i>G.R. Fernald</i> <small>ASSISTANT CIVIL ENGINEER</small> DATE <b>3-13-64</b>			

**MAP SHOWING THE LANDS INCLUDED WITHIN THE ASSESSMENT DISTRICT TO BE BENEFITED BY THE CONSTRUCTION OF SANITARY SEWER**



MAP SHOWING THE LANDS INCLUDED WITHIN THE ASSESSMENT DISTRICT TO BE BENEFITED BY THE CONSTRUCTION OF SANITARY SEWER

REVISIONS			CITY OF RIVERSIDE CALIFORNIA DEPARTMENT OF PUBLIC WORKS	
MARK	DATE	DESCRIPTION		
			SUNNYSIDE DRIVE SANITARY SEWER DISTRICT	
DESIGNED BY <i>n.l.m.</i>		CHECKED BY <i>Ernest H. Wells</i> E.E. 9876	APPROVED BY <i>[Signature]</i>	<b>S-279A</b>
DRAWN BY <i>n.l.m.</i>		RECOMMENDED BY <i>[Signature]</i> ASSISTANT CITY ENGINEER	DIRECTOR OF PUBLIC WORKS	
		DATE <i>2-13-64</i>	SHEET 1 OF 1	