

ASSESSMENT NO. 486

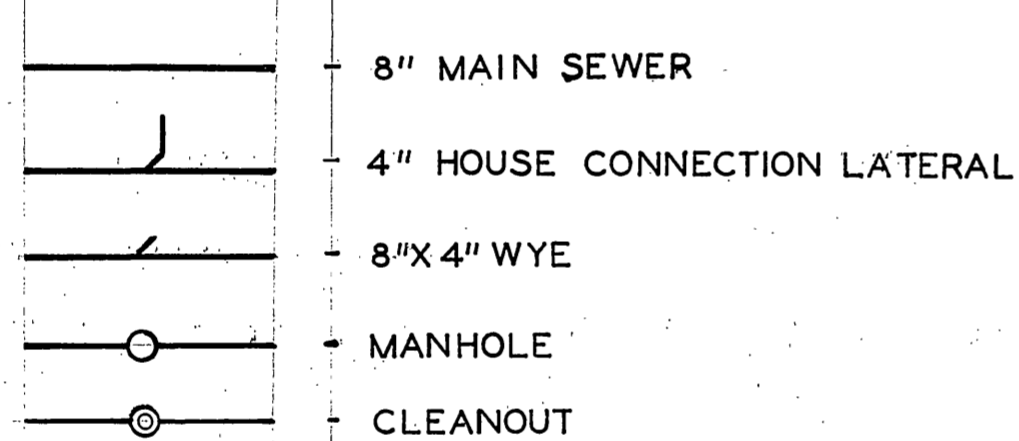
DIAGRAM

CONTRACT NO. SUNNYSIDE DRIVE SANITARY SEWER DISTRICT
 IN THE CITY OF RIVERSIDE, CALIFORNIA, BY THE CONTRACTOR HAS BEEN DONE
 PURSUANT TO THE CONTRACT BETWEEN THE SUPERINTENDENT OF STREETS OF
 SAID CITY AND VIDO SAMARZICH COMPANY DATED JULY 25, 1962
 FOR THE CONSTRUCTION OF A SANITARY SEWER AND APPURTENANCES.

AS IS MORE PARTICULARLY DESCRIBED IN SAID CONTRACT, IT WHERE APPROPRIATE
 IS HEREBY MADE FOR FURTHER PARTICULARS.
 SAID DIAGRAM ALSO SHOWS EACH SEPARATE LOT OR PARCEL OF LAND WITHIN THE
 LIMITS OF THE ASSESSMENT DISTRICT, AND THE PERCENTAGE OF SAID SAID LOT OR
 PARCEL OF LAND, AND THE RELATIVE LOCATION OF THE SAME TO THE WORK DONE.
 EACH LOT OR PARCEL OF LAND IS NUMBERED IN RED INK TO CORRESPOND TO THE
 RED INK NUMBERS IN THE ASSESSMENT.
 HEIGHT FIGURES NEXT TO PROPERTY LINES SHOW LENGTH OF SAID LINES IN FEET
 AND DECIMALS THEREOF.
 THE MARK "F" MEANS FEET.
 PROPERTY LINES THAT DIFFER FROM THE RECORDED SUBDIVISIONS ARE SHOWN BY
 BROKEN LINES.
 THE DISTRICT BENEFITED IS BOUNDED BY A HEAVY DASHED LINE.
 PROPERTY INCLUDED IN THIS ASSESSMENT IS SHOWN ON THE FOLLOWING RECORDED
 MAPS:

HAYES - FLUKE TRACT M.B. 22, PG. 93 - RIVERSIDE CO. RECORDS

HEREIN THE DIFFERENT KINDS OF WORK
 PERFORMED ARE SHOWN AS FOLLOWS:



HERE FOLLOWS A STATEMENT OF AMOUNTS OF
 DIFFERENT KINDS OF WORK DONE PURSUANT TO
 THE HERE-IN-BEFORE IDENTIFIED CONTRACT
 AND TO RESOLUTION OF INTENTION NO. 9115
 ADOPTED BY THE CITY COUNCIL OF THE CITY
 OF RIVERSIDE, CALIFORNIA ON THE 25TH DAY
 OF APRIL, 1961.

- 450 L.F. - 8" VITRIFIED CLAY PIPE.
- 297 L.F. - 4" VITRIFIED CLAY PIPE.
- 1 EA. - MANHOLE - STD. DWG. N° 500
- 1 EA. - CLEANOUT - STD. DWG. N° 560
- 9 EA. - 8" X 4" WYES
- 1,645 SF. - PAVEMENT REPAVEMENT

I HEREBY CERTIFY THAT THE ABOVE WORK WAS DONE IN ACCORDANCE
 WITH LINES AND GRADES FURNISHED OR APPROVED BY ME, AND THAT
 THE DIAGRAM OF THE ASSESSMENT DISTRICT AND THE QUANTITIES
 OF WORK SHOWN HEREON ARE CORRECT.

[Signature]
 CITY ENGINEER OF THE
 CITY OF RIVERSIDE, CALIFORNIA

DIAGRAM RECEIVED:

THIS DAY OF 1962

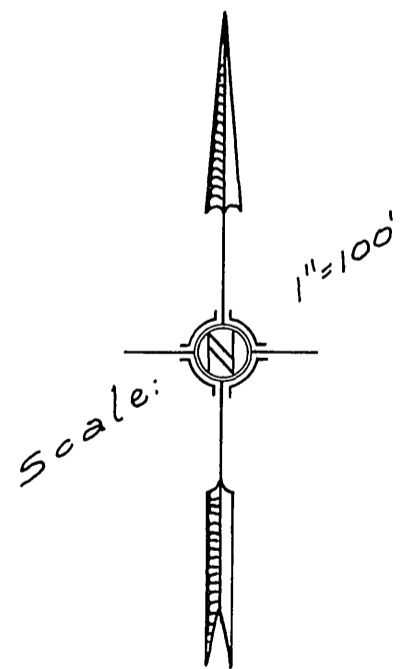
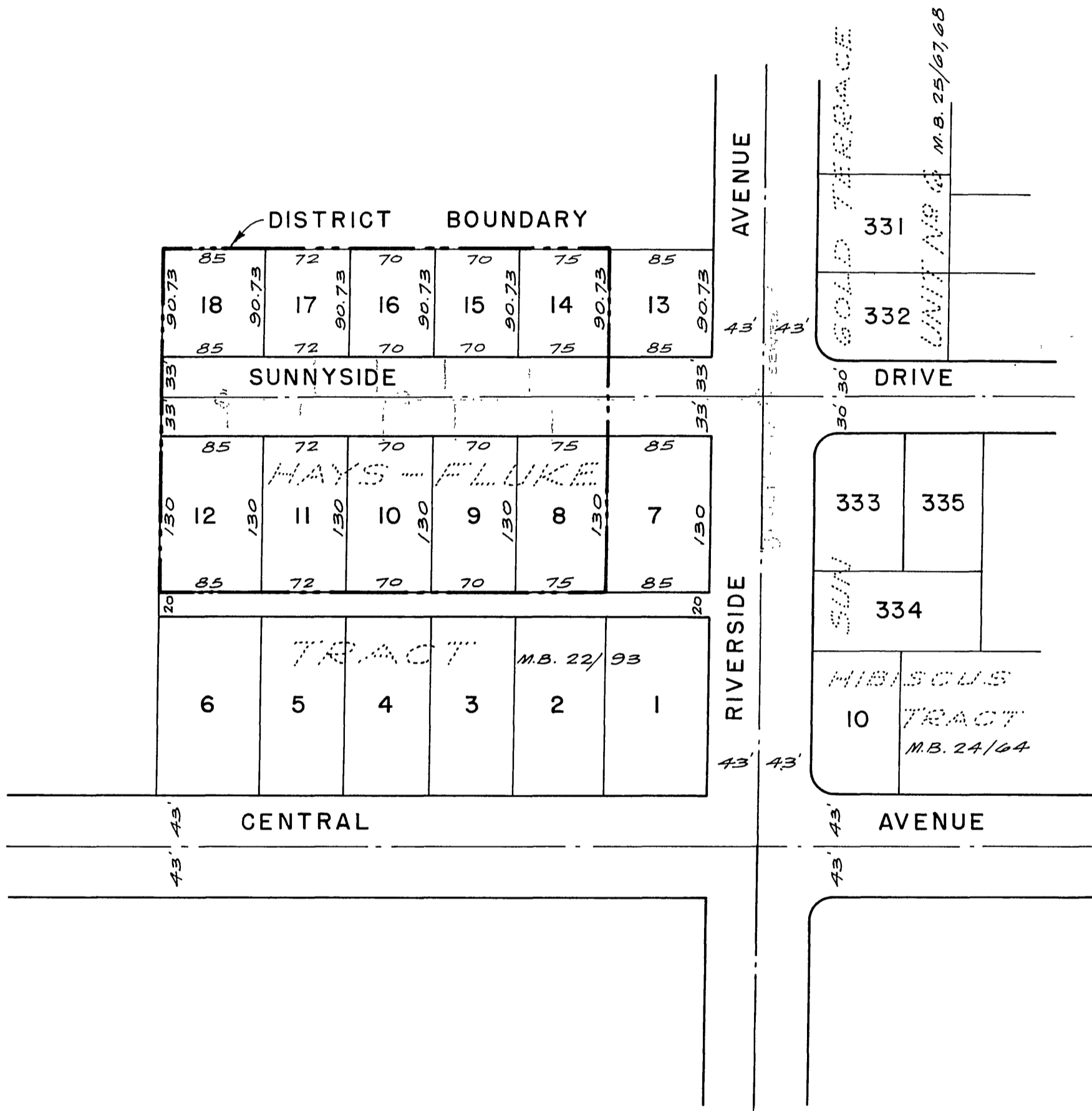
SUPERINTENDENT OF STREETS OF THE
 CITY OF RIVERSIDE, CALIFORNIA

RECORDED:

AT _____ O'CLOCK, A.M.,
 THIS DAY OF 1962

SUPERINTENDENT OF STREETS OF THE
 CITY OF RIVERSIDE, CALIFORNIA

S-279B
 SH. 1 OF 2



REVISIONS			CITY OF RIVERSIDE CALIFORNIA DEPARTMENT OF PUBLIC WORKS	
MARK	DATE	DESCRIPTION		
			SUNNYSIDE DRIVE SANITARY SEWER DISTRICT	
DESIGNED BY	A. E. ...	CHECKED BY	APPROVED BY	S-279B SHEET 2 OF 2
DRAWN BY		R.E. 9876	DIRECTOR OF PUBLIC WORKS	
RECOMMENDED BY		ASSISTANT CITY ENGINEER	DATE	