

PROFILE	
SUBMITTED	BY
NOTED	DATE
GRADES CHECKED	
PLAN CHECKED	
AS NOTED	
BY	
DATE	

PLAN	
SUBMITTED	BY
NOTED	DATE
ALIGNMENT CHECKED	
BY	
DATE	

B.M. Pipe in C.M. & Sunset Dr. f NW Tract Boundary Unit No. 1 Elev. 1042.48
 F.O. 374/9

QUANTITY ESTIMATE

8" Vitrified Clay Pipe	4,415 L.F.
4" Vitrified Clay Pipe	2,078 L.F.
8" x 4" Wyes	60 Ea.
Manholes, Std. No. 500	15 Ea.
Drop Manholes, Std. No. 502	1 Ea.

QUANTITY Estimate for Parcels 213
 RS 39785
 2" Vitrified Clay pipe 88 L.F.
 8" x 4" Wyes 2 Ea.

- GENERAL NOTES**
- Construction shall be in accordance with the City of Riverside, Department of Public Works, Specifications No. 461 and Standard Drawings.
 - Location of wyes and laterals to be determined in the field.
 - All laterals to be constructed in accordance with Standard Drawing No. 562.
 - Pipe shall be bedded Case II Standard Drawing No. 452.
 - Max vertical spacing of steps in Manhole is 12".
 - Manholes 2A, 6A, to be Const. only if Tracts 2108 & 2109 are not constructed at the same time.
- * = As built. 9.6.63.

INDEXED R.R.

REVISION	
MARK	DATE
☆	7/19/63

Revised M.H. Location
 Added R/S. 39/84, Revised
 quantity estimate.
 W.B.

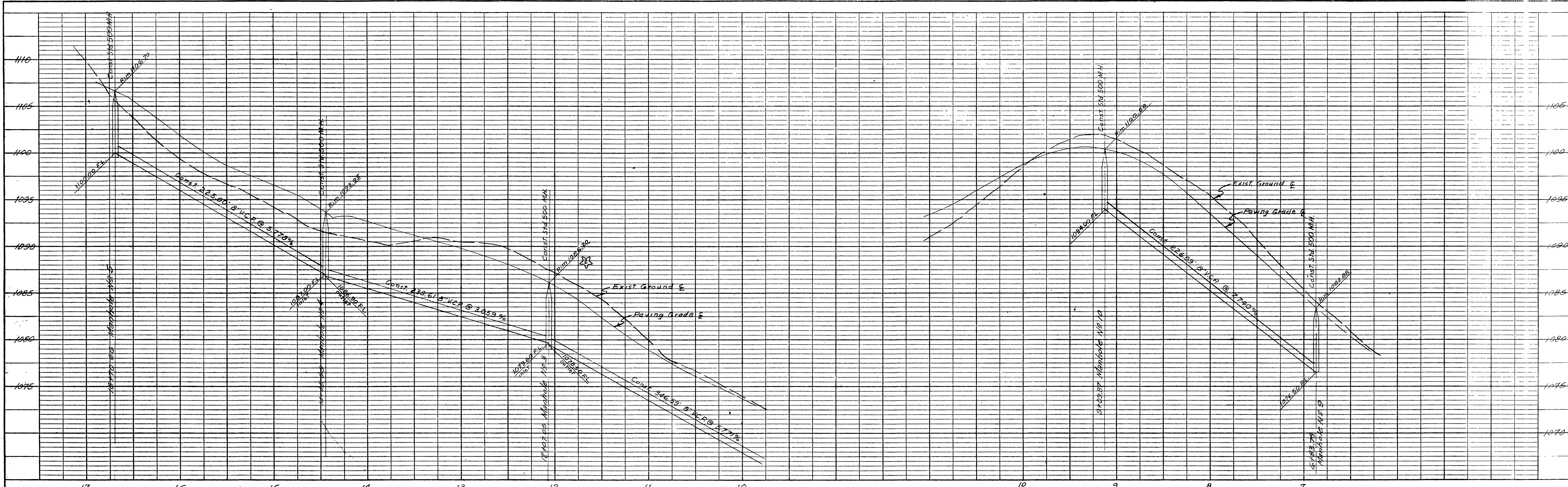
ALBERT A. WEBB ASSOCIATES
 CIVIL ENGINEERS - RIVERSIDE, CALIFORNIA
 APPROVED: Ernest H. Webb DATE 12/14/61
 E.L. 9976

CITY OF RIVERSIDE, CALIFORNIA
 DEPARTMENT OF PUBLIC WORKS

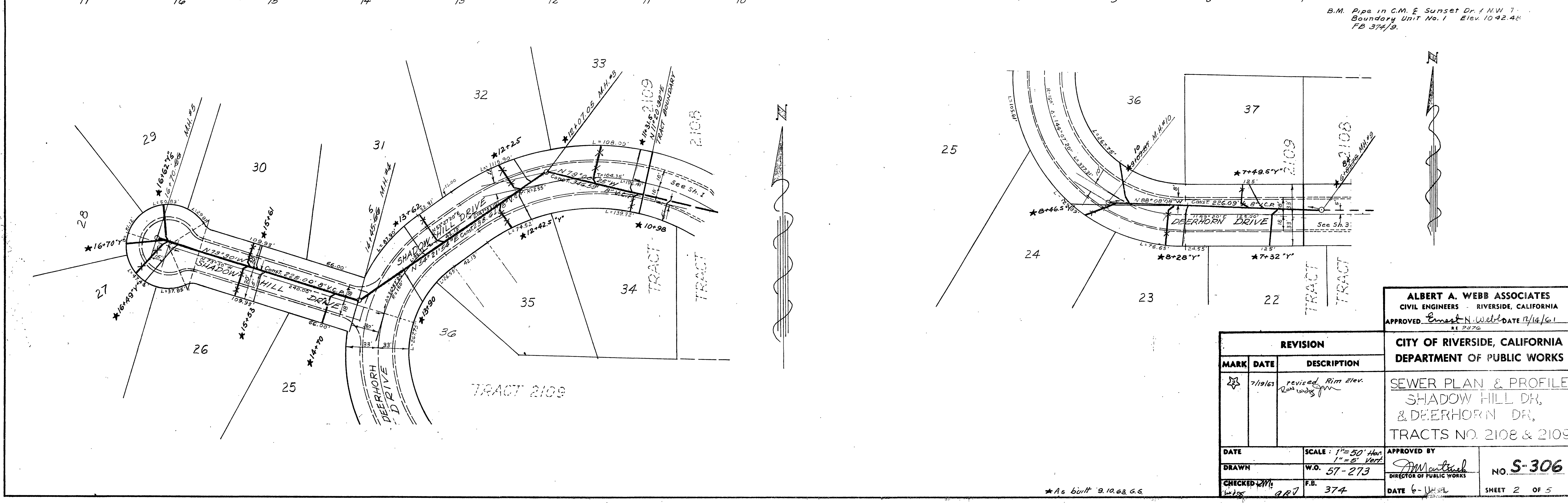
SEWER PLAN & PROFILE
 SHADOW HILL DRIVE
 STAGHOUND AVE.
 TRACTS NO. 2108 & 2109

DATE January 1962 SCALE: 1" = 50' Hor.
 1" = 5' Vert.
 DRAWN W.O. 57-273 APPROVED BY [Signature]
 CHECKED G.M.E. F.B. 374. DIRECTOR OF PUBLIC WORKS
 DATE 6-11-62 SHEET 1 OF 5

NO. S-306



PROFILE	
NO.	DATE
BY	
DATE	



PLAN	
NO.	DATE
BY	
DATE	

ALBERT A. WEBB ASSOCIATES
 CIVIL ENGINEERS - RIVERSIDE, CALIFORNIA
 APPROVED: Ernest N. Webb DATE 1/14/61

CITY OF RIVERSIDE, CALIFORNIA
 DEPARTMENT OF PUBLIC WORKS

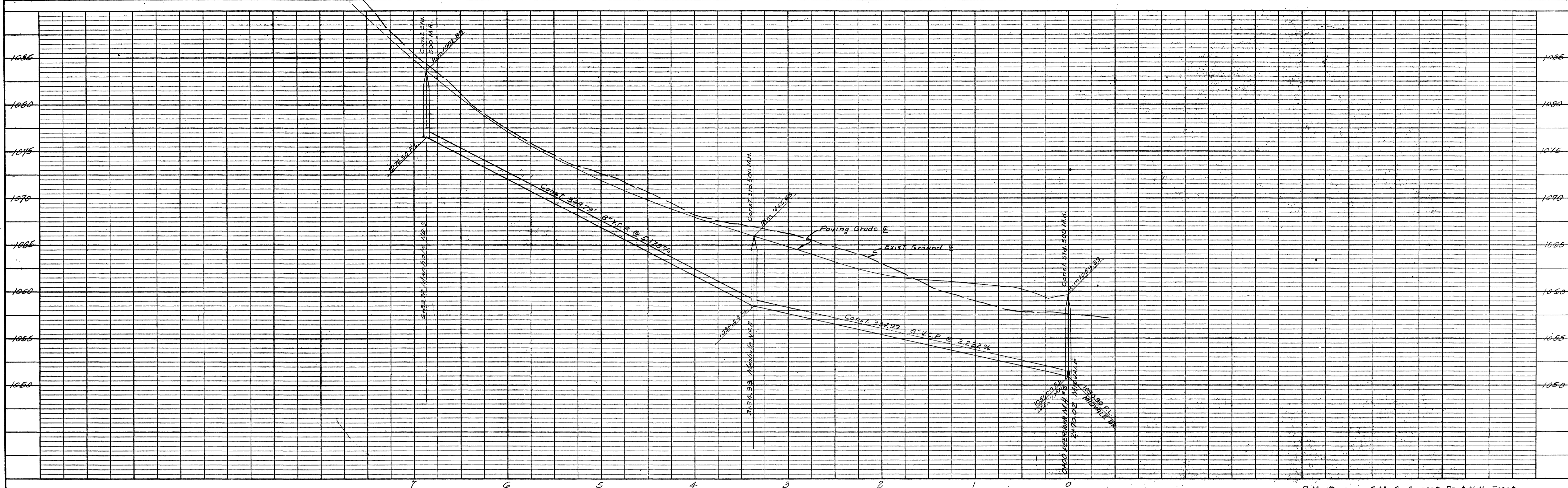
SEWER PLAN & PROFILE
 SHADOW HILL DR,
 & DEERHORN DR,
 TRACTS NO. 2108 & 2109

REVISION		
MARK	DATE	DESCRIPTION
*	7/19/63	revised Rim Elev. 20' low

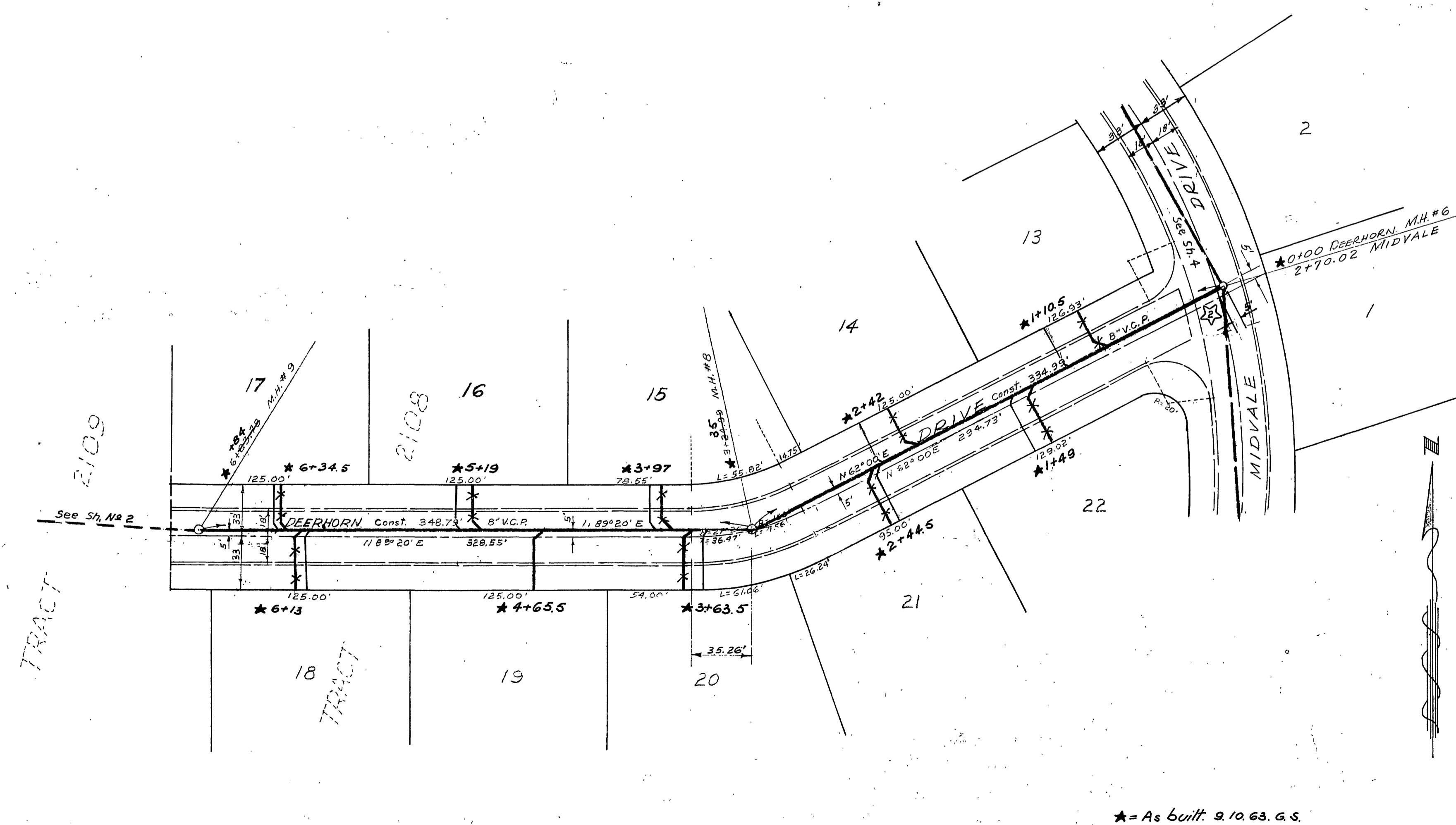
DATE	SCALE: 1" = 50' Hor 1" = 6' Vert	APPROVED BY
DRAWN	W.O. 57-273	<i>AM</i> DIRECTOR OF PUBLIC WORKS
CHECKED	F.B. 374	DATE 6-14-61

NO. S-306
 SHEET 2 OF 5

*As built 9.10.63 G.S.



B.M. Pipe in C.M. & Sunset Dr. & N.W. Tract
 Boundary Unit No. 1 Elev. 1042.48
 FB 374/9



* = As built 9.10.63. a.s.

PROFILE	
STARTED	BY
NOTED	DATE
GRADES CHECKED	
B.M. NOTED	
STRUCTURE LOCATING CHECKED	

PLAN	
STARTED	BY
NOTED	DATE
ALIGNMENT CHECKED	
RT. OF WAY CHECKED	

ALBERT A. WEBB ASSOCIATES
 CIVIL ENGINEERS - RIVERSIDE, CALIFORNIA
 APPROVED: *Ernest N. Wells* DATE 12/14/61
 R.E. 9876

CITY OF RIVERSIDE, CALIFORNIA
 DEPARTMENT OF PUBLIC WORKS

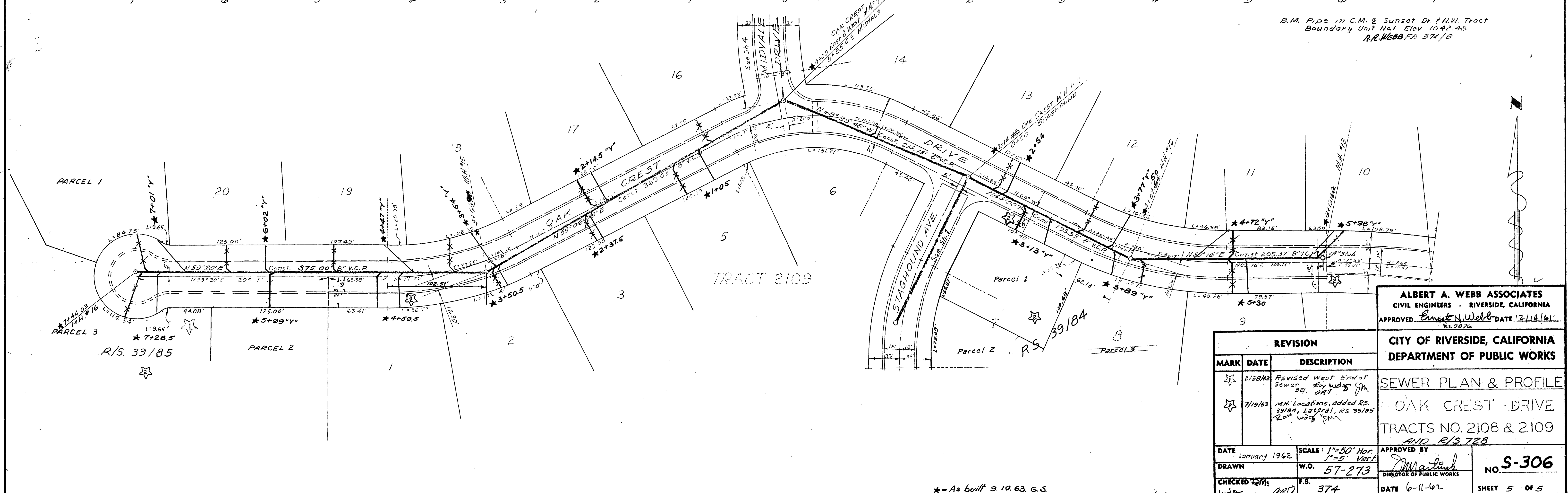
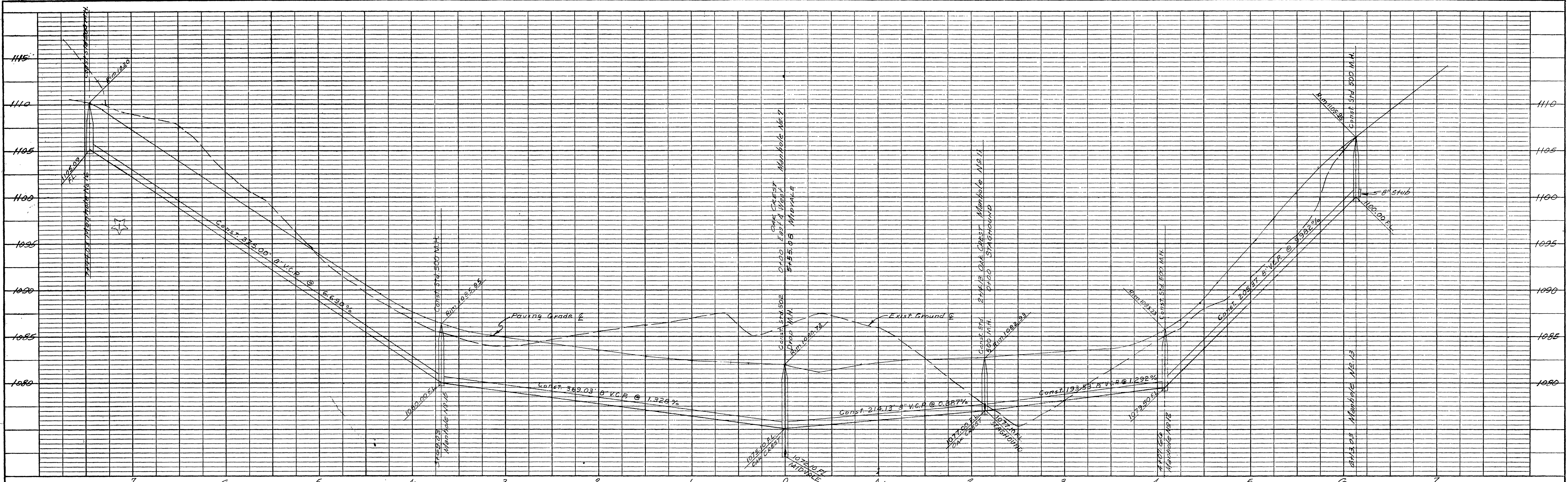
SEWER PLAN & PROFILE
 DEERHORN DRIVE
 TRACTS NO. 2108 & 2109

REVISION	
MARK	DATE
☆	7/15/63
	M.H. Location

APPROVED BY
Amantia
 DIRECTOR OF PUBLIC WORKS
 DATE 6-11-62

NO. S-306

SHEET 3 OF 5



B.M. Pipe in C.M. & Sunset Dr. f.N.W. Tract
 Boundary Unit No.1 Elev. 1042.48
 R.R. WEBB FB 374/9

ALBERT A. WEBB ASSOCIATES
 CIVIL ENGINEERS - RIVERSIDE, CALIFORNIA
 APPROVED *Ernest N. Webb* DATE 12/14/61
 R.E. 2876

CITY OF RIVERSIDE, CALIFORNIA
DEPARTMENT OF PUBLIC WORKS

REVISION		
MARK	DATE	DESCRIPTION
☆	2/28/62	Revised West End of Sewer by W.D.S. Jm. SEE DAT
☆	7/19/63	M.H. Locations, added RS 39/84, Lateral, RS 39/85 20" W.D.S. Jm.

SEWER PLAN & PROFILE
OAK CREST DRIVE
TRACTS NO. 2108 & 2109
AND E/S 728

DATE January 1962
 DRAWN W.O. 57-273
 CHECKED W.D.S. 374

APPROVED BY *Ernest N. Webb*
 DIRECTOR OF PUBLIC WORKS
 DATE 6-11-62
NO. S-306
 SHEET 5 OF 5

* = As built 9.19.63. G.S.

PROFILE

NO.	SUPPLIED	BY	DATE
NOTE BOOK	PLOTTED		
	GRADES CHECKED		
	STRUCTURE NOTATIONS CHECKED		

PLAN

NO.	SUPPLIED	BY	DATE
NOTE BOOK	PLOTTED		
	GRADES CHECKED		
	STRUCTURE NOTATIONS CHECKED		