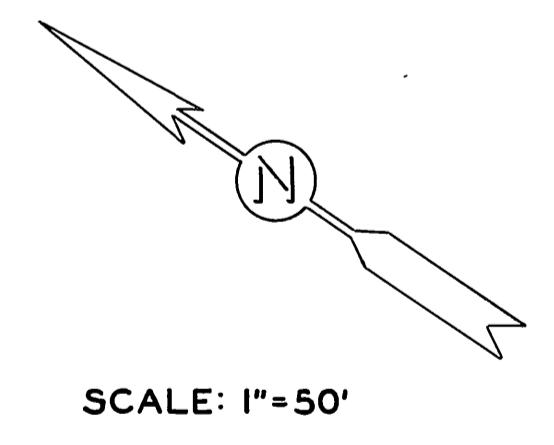
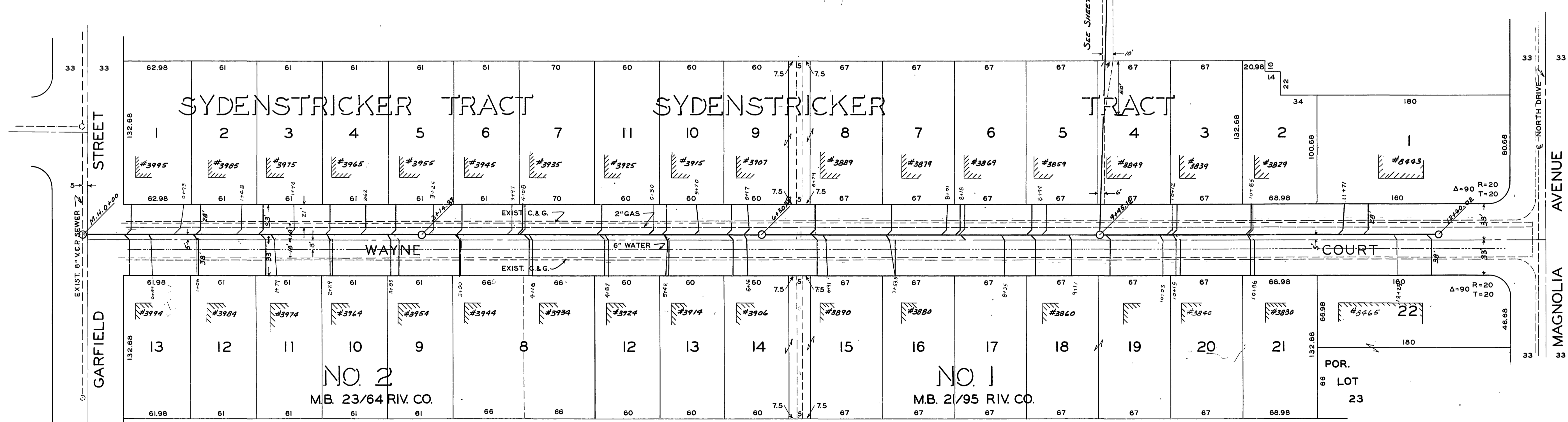


PROFILE	SUPERVISOR	DATE
NOTED	DESIGNED	
NOTE BOOK	R. M. NOTED	
NO.	STRUCTURE NOTATIONS CH'NO.	

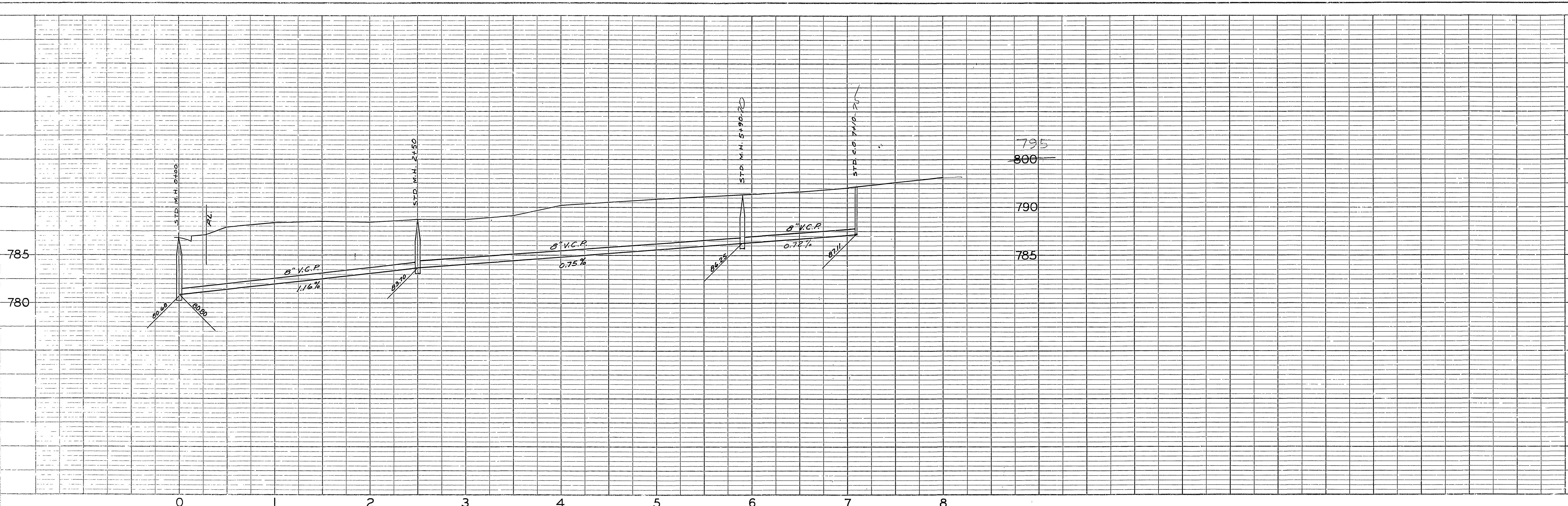
WYES TO BE LOCATED IN FIELD



PLAN	SUPERVISOR	DATE
NOTED	DESIGNED	
NOTE BOOK	R. M. NOTED	
NO.	STRUCTURE NOTATIONS CH'NO.	

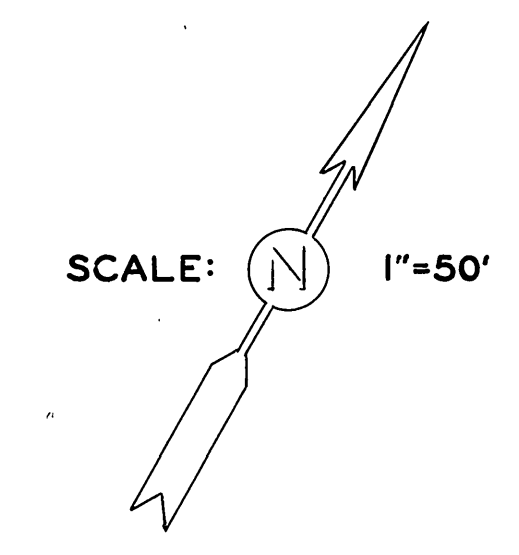
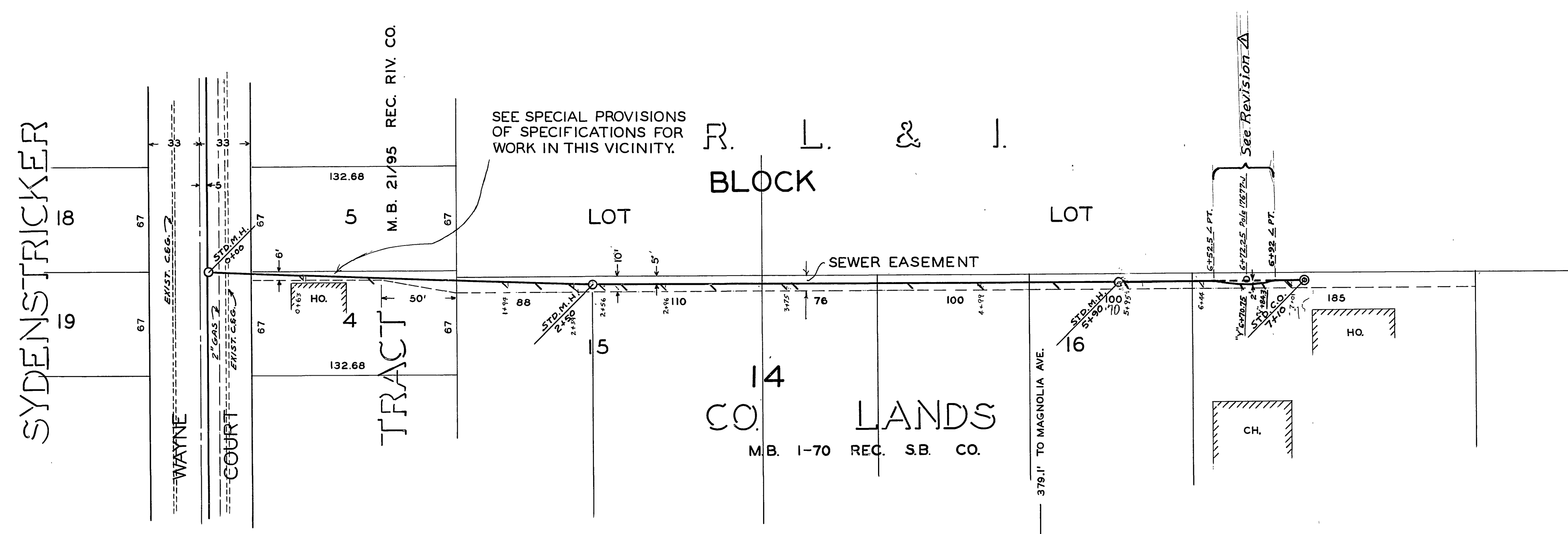
WAYNE - MAGNOLIA  
 SANITARY SEWER DISTRICT  
 WAYNE CT. AND EASEMENT  
 N. OF MAGNOLIA AVE. BETWEEN  
 WAYNE CT. AND ADAMS ST.

a. *Red. Whelan*  
*L. Kasper*  
*Comstock*  
 June 29, 1956  
 S-32  
 1 2



F. B. 593/26

WYES TO BE LOCATED IN FIELD



CITY OF RIVERSIDE CALIFORNIA  
 DEPARTMENT OF PUBLIC WORKS

**WAYNE - MAGNOLIA  
 SANITARY SEWER DISTRICT**

WAYNE CT. AND EASEMENT  
 N. OF MAGNOLIA AVE. BETWEEN  
 WAYNE CT. AND ADAMS ST.

APPROVED BY  
*Lee S. Whidden*  
*June 29, 1966*

S-32  
 2 2

PROFILE	
SURVEYED	BY
NOTED	DATE
NO. 8, M.E. NOTED	
STRUCTURE NOTATIONS CHECKED	

PLAN	
SURVEYED	BY
NOTED	DATE
NO. 8, M.E. NOTED	
STRUCTURE NOTATIONS CHECKED	