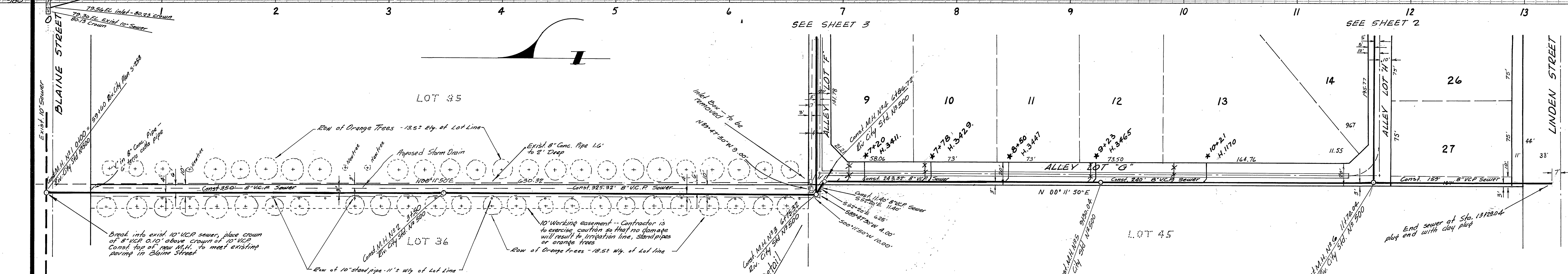
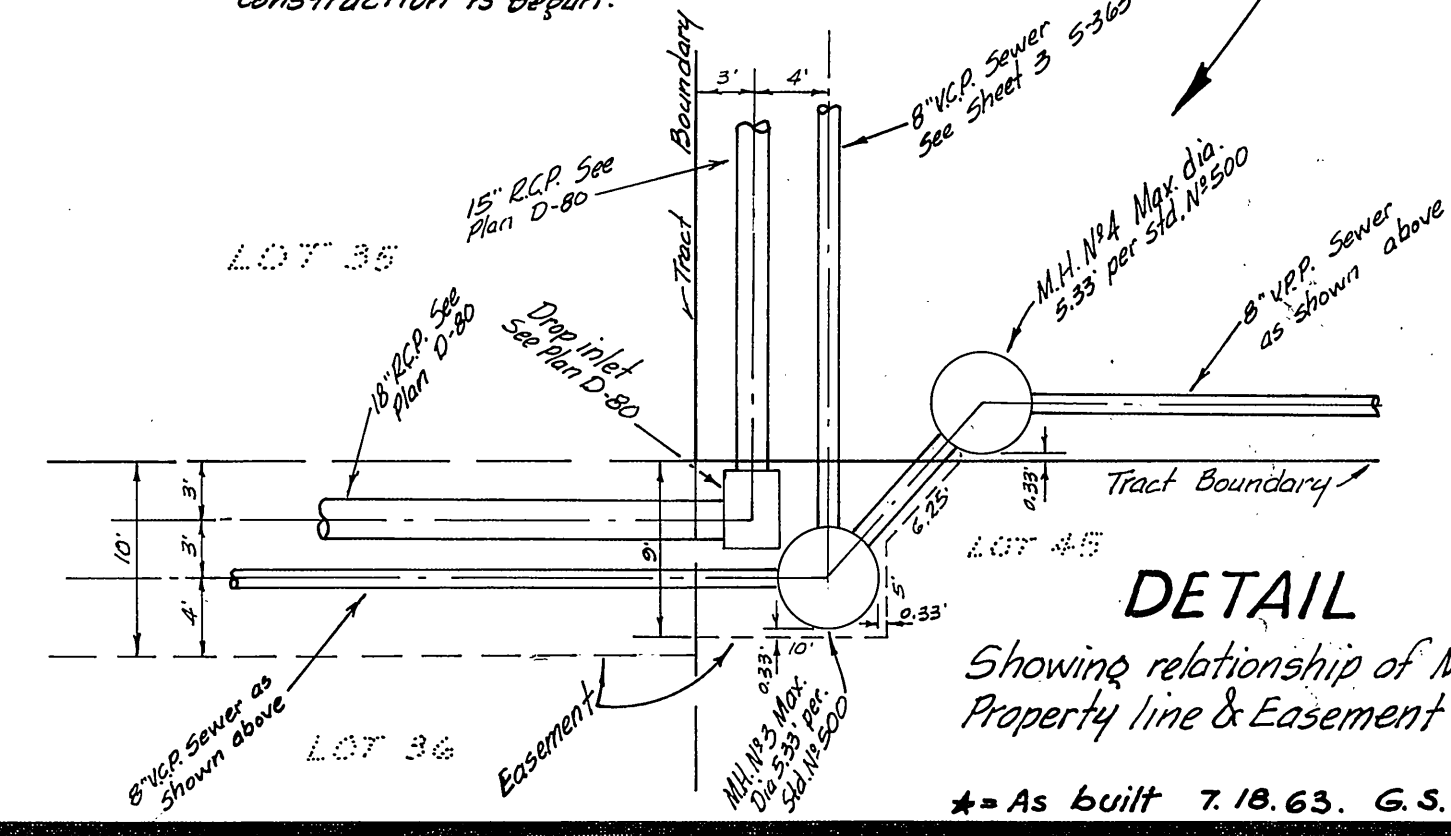


NOTE: No connections are to be made from Sta. 11+70.04 to Sta. 13+29.04



NOTE: Sewer is to be laid, backfilled and compacted to level of storm drain pipe before storm drain construction is begun.



NOTES

- 500 and later to be made in the field. All manholes to be Riverside City Standard, unless otherwise noted on plan. Maximum vertical spacing of rings in all manholes to be 12".
- All laterals to be 4" and extended to the property line.
- All construction shall be in accordance with standards and specifications No. 461 of the City of Riverside Department of Public Works. This shall be located per Part II, Standard Drawing 1452.
- It shall be the responsibility of the Contractor to clear the Right of Way in case of any utility lines. The presence of any utility lines shall be indicated by a utility line on the drawing, unless the contractor assures the City of Riverside.
- Bench Mark: Nail in curb on N.W. side of Blaine St. 993.45 Elev. 993.45
Chiselled square on N.W. corner of the step of Grace Methodist Church Elev. 1018.13

REVISIONS		
MARK	DATE	DESCRIPTION

J.F. DAVIDSON-CIVIL ENGINEER
R.E. No. 862
RIVERSIDE, CALIFORNIA
APPROVED BY *George E. M. Cady* DATE 5/23/62
R.E. 10288

CITY OF RIVERSIDE, CALIFORNIA
DEPARTMENT OF PUBLIC WORKS

SEWER PLAN & PROFILE
BLAINE ST. to LINDEN ST
Sta. 0+00 to Sta. 13+25
TRACT 2350

HORIZ. SCALE 1"=40' VERT. SCALE 1"=4'

DESIGNED BY
DRAWN BY
RECOMMENDED BY *Archibald*
ASSISTANT CITY ENGINEER

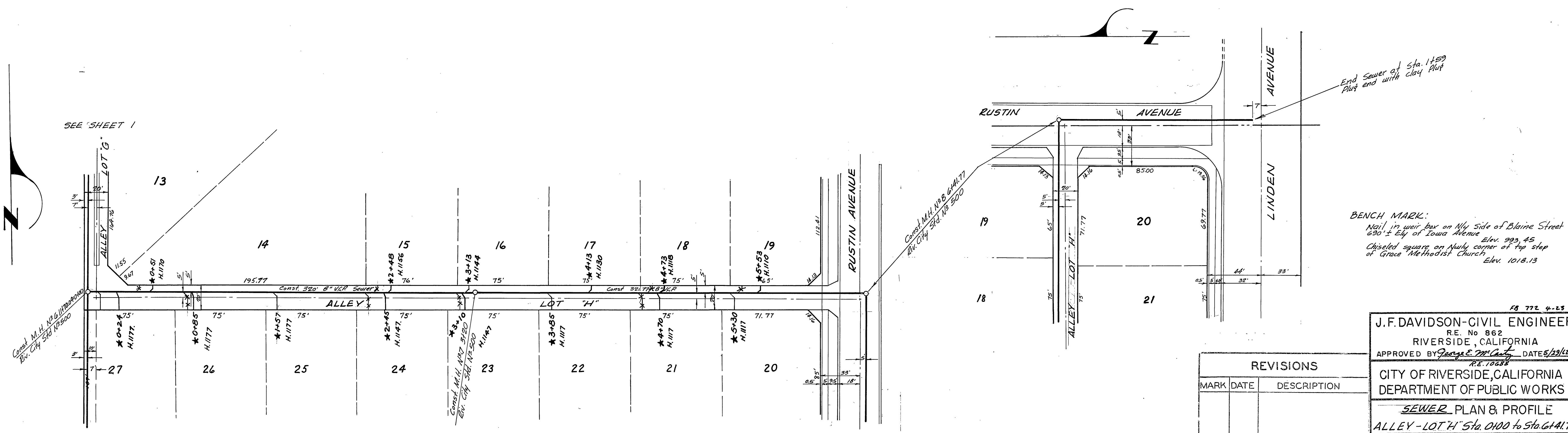
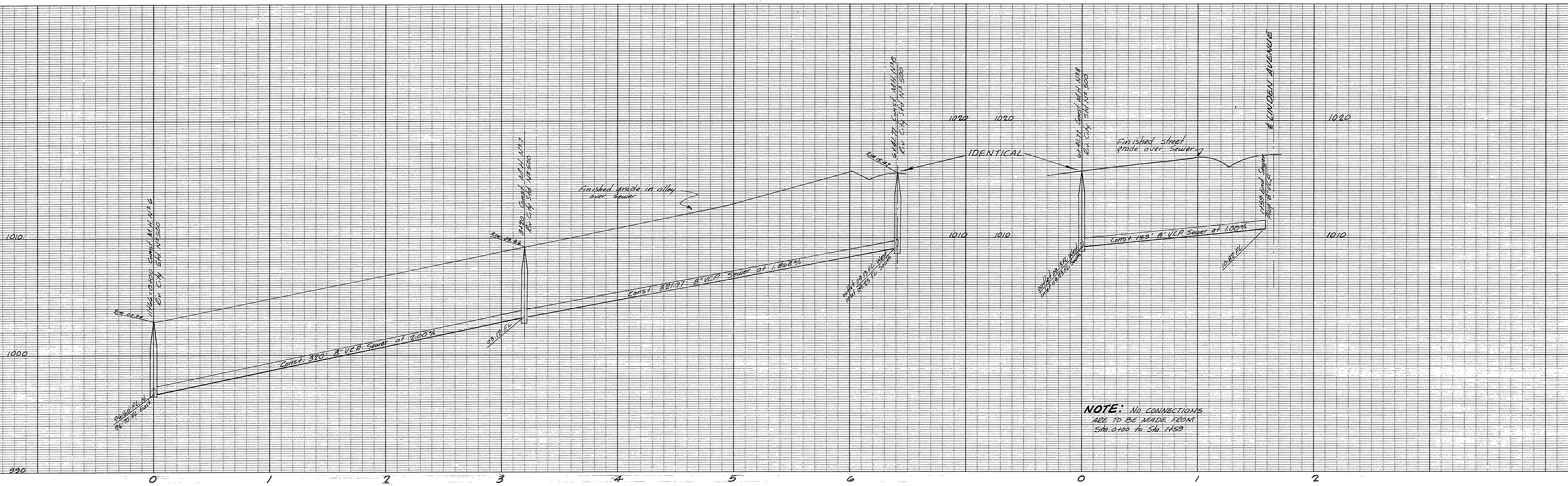
CHECKED BY *W.D.S.*

APPROVED BY *Michael*
Director of Public Works

DATE 1-18-63

NO 5-363

SHEET 1 OF 3



18 772 4-23

J.F. DAVIDSON - CIVIL ENGINEER
 R.E. No 862
 RIVERSIDE, CALIFORNIA
 APPROVED BY *George E. McCall* DATE 5/23/62
 R.E. 10638

CITY OF RIVERSIDE, CALIFORNIA
 DEPARTMENT OF PUBLIC WORKS

SEWER PLAN & PROFILE
 ALLEY - LOT "H" Sta. 0+00 to Sta. 6+41.77
 RUSTIN STREET Sta. 0+00 to Sta. 1+59
 TRACT 7350

HORIZ. SCALE 1" = 40' VERT. SCALE 1" = 4'

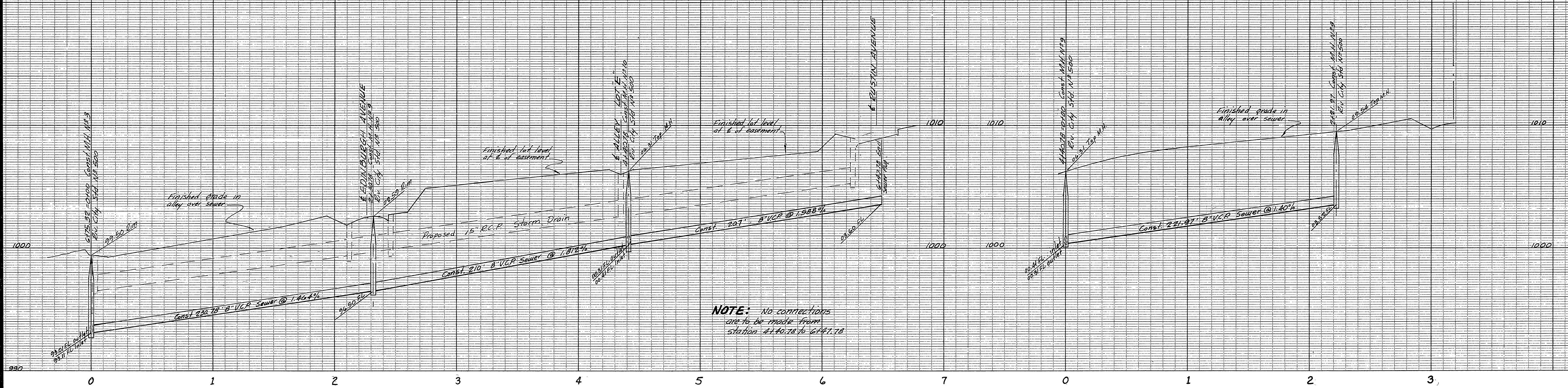
MARK	DATE	DESCRIPTION

DESIGNED BY _____ CHECKED BY *W.D.G.*
 DRAWN BY _____
 RECOMMENDED BY *A. Keith* ASSISTANT CITY ENGINEER DATE 1-28-63

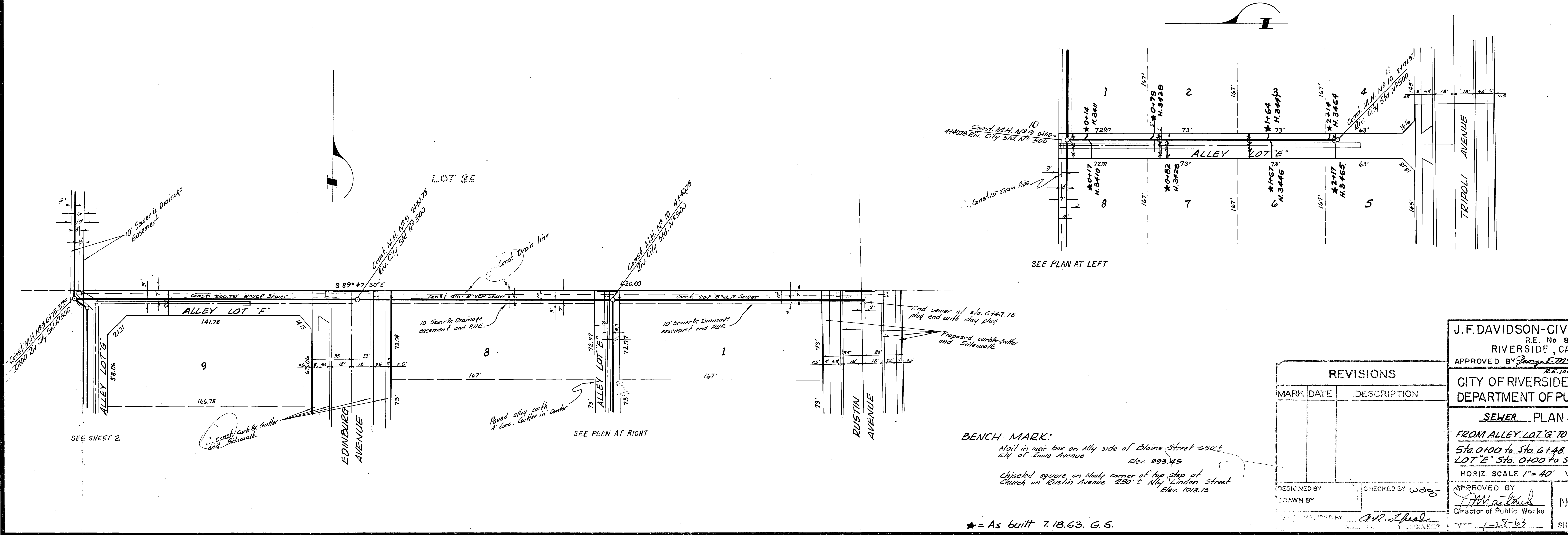
APPROVED BY *J.F. Davidson*
 Director of Public Works

NO. **5-363**
 SHEET **2** OF **3**

* = As built 7.18.63 G.S.



NOTE: No connections are to be made from station 4+40.78 to 6+47.78



BENCH MARK:
 Nail in curb on Nly side of Blaine Street 690±
 Ely of Lewis Avenue
 Elev. 993.45
 Chiseled square on NWly corner of top step at
 Church on Rustin Avenue 250± Nly Linden Street
 Elev. 1018.13

* = As built 7.18.63. G.S.

REVISIONS	
MARK	DESCRIPTION

J.F. DAVIDSON - CIVIL ENGINEER
 R.E. No 862
 RIVERSIDE, CALIFORNIA
 APPROVED BY *George E. M. Coyle* DATE 9/29/62
 R.E. 10288
CITY OF RIVERSIDE, CALIFORNIA
 DEPARTMENT OF PUBLIC WORKS

SEWER PLAN & PROFILE
 FROM ALLEY LOT 'G' TO RUSTIN AVE.
 Sta. 0+00 to Sta. 6+48.78 And ALLEY
 LOT 'E' Sta. 0+00 to Sta. 2+21.97
 HORIZ. SCALE 1" = 40' VERT. SCALE 1" = 4'

DESIGNED BY
 DRAWN BY
 CHECKED BY *W.D.G.*
 APPROVED BY *J.F. Davidson*
 Director of Public Works
 DATE 1-28-63 SHEET 3 OF 3

NO. **5363**