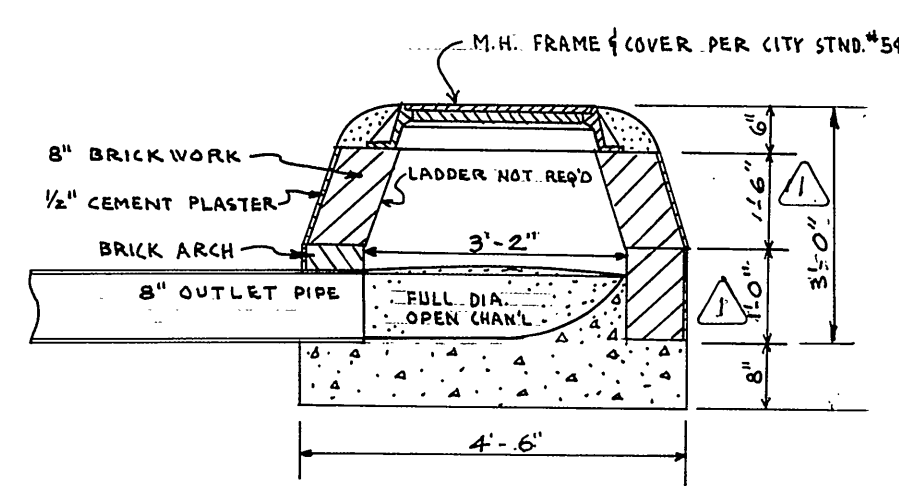
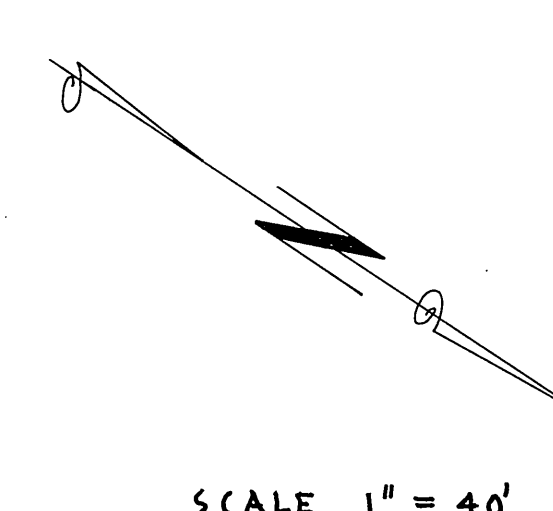
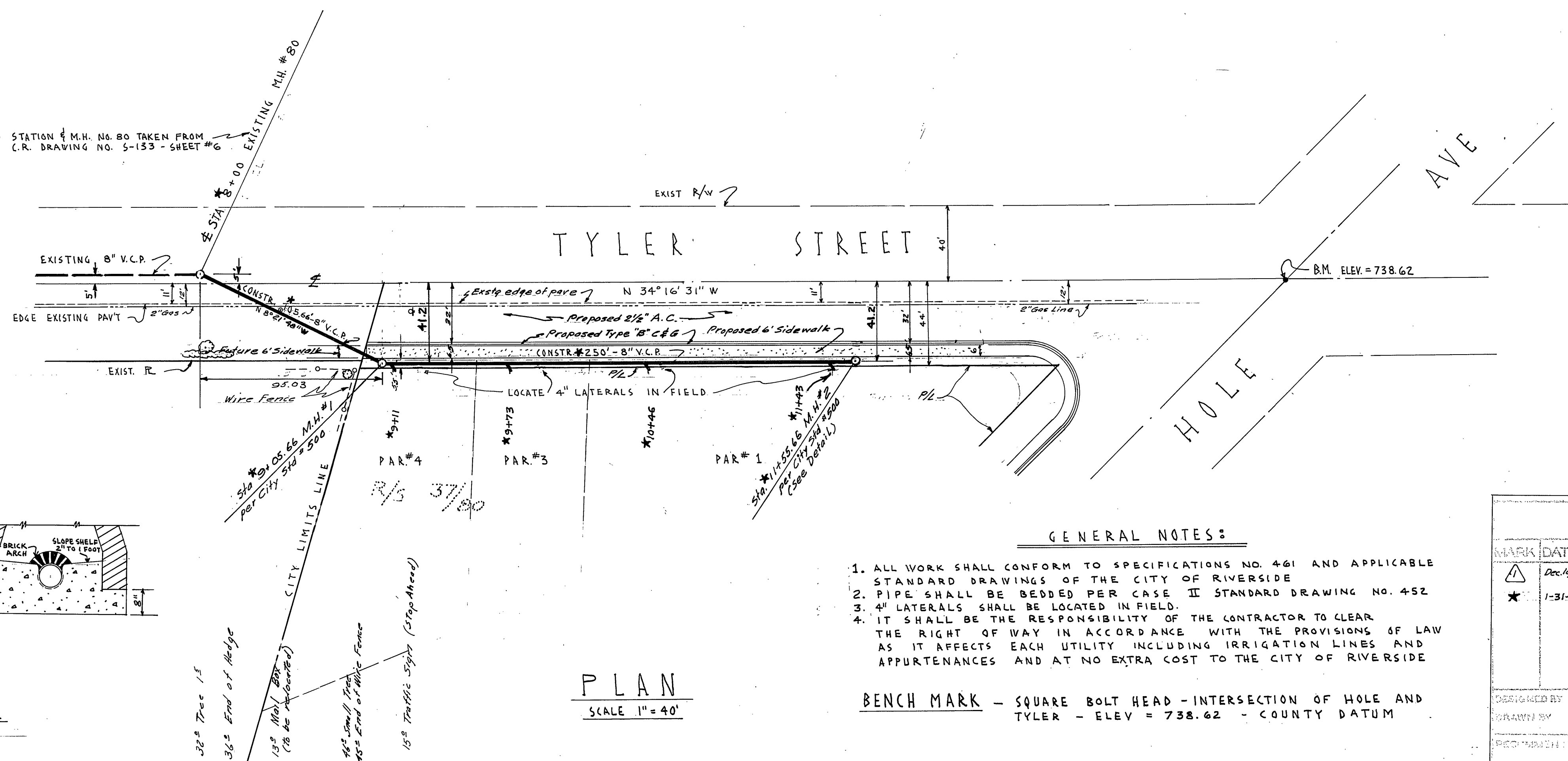


SEWER PROFILE
 HOR 1" = 40'
 VER 1" = 4'

NOTES: STATION & M.H. NO. 80 TAKEN FROM
 C.R. DRAWING NO. 5-133 - SHEET #6



SHALLOW MANHOLE DETAIL
 CITY STD. #500 NO SCALE

- GENERAL NOTES:
1. ALL WORK SHALL CONFORM TO SPECIFICATIONS NO. 461 AND APPLICABLE STANDARD DRAWINGS OF THE CITY OF RIVERSIDE
 2. PIPE SHALL BE BEDDED PER CASE II STANDARD DRAWING NO. 452
 3. 4" LATERALS SHALL BE LOCATED IN FIELD.
 4. IT SHALL BE THE RESPONSIBILITY OF THE CONTRACTOR TO CLEAR THE RIGHT OF WAY IN ACCORDANCE WITH THE PROVISIONS OF LAW AS IT AFFECTS EACH UTILITY INCLUDING IRRIGATION LINES AND APPURTENANCES AND AT NO EXTRA COST TO THE CITY OF RIVERSIDE

BENCH MARK - SQUARE BOLT HEAD - INTERSECTION OF HOLE AND TYLER - ELEV = 738.62 - COUNTY DATUM

HUGH M. GALLAHER
 CIVIL ENGINEER
 RIVERSIDE CALIFORNIA
 APPROVED BY *Hugh M. Gallaher* DATE 12/13/62
 R.C.E. 7304

REVISIONS		CITY OF RIVERSIDE CALIFORNIA DEPARTMENT OF PUBLIC WORKS
MARK	DATE	
△	Dec 19/62	M.H. Top Elev Revised per <i>W.B. G.P. 3</i>
★	1-31-63	'As Built' H.M.H.

DESIGNED BY	CHECKED BY <i>Row Wadg</i>	APPROVED BY <i>H.M. Gallaher</i>	PROJ. NO.
DRAWN BY		DIRECTOR OF PUBLIC WORKS	5-389
FIELD ENGINEER	<i>O.H. J. Paul</i>	DATE 12/14/62	SHEET 1 OF 1