

NOT TO BE CONSTRUCTED
①

SEE SHEET 2 OF 8 FOR GENERAL NOTES.

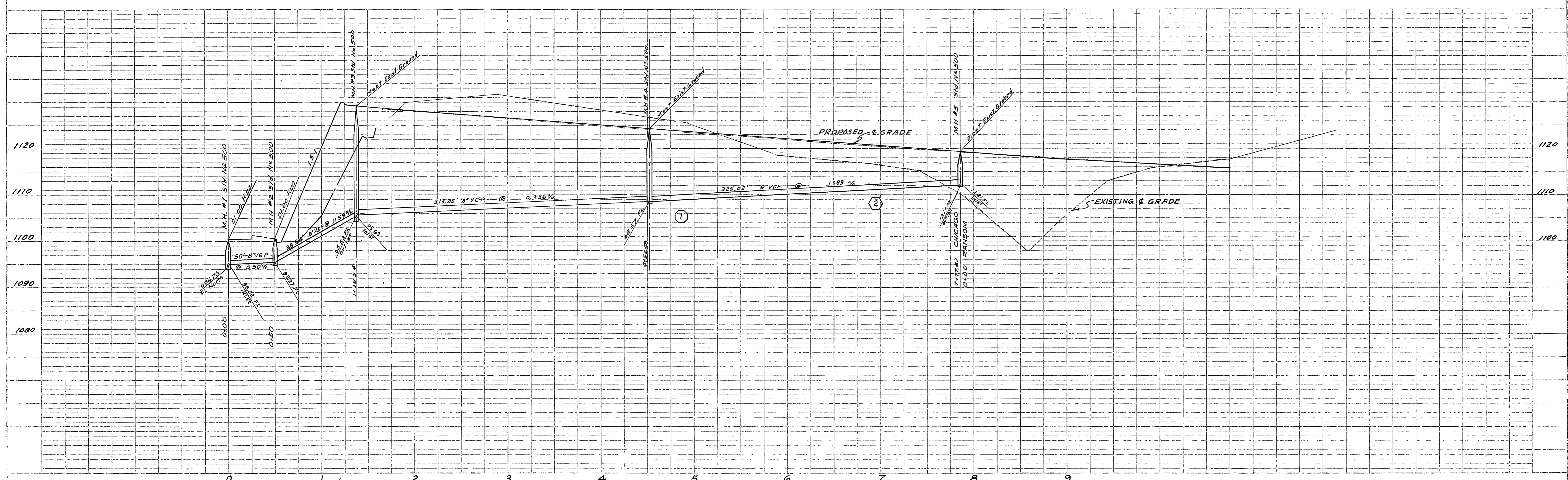
ALBERT A. WEBB ASSOCIATES
CIVIL ENGINEERS - RIVERSIDE, CALIFORNIA
APPROVED *Albert A. Webb* DATE 11/15/62
S.E.L. 9876

CITY OF RIVERSIDE, CALIFORNIA
DEPARTMENT OF PUBLIC WORKS

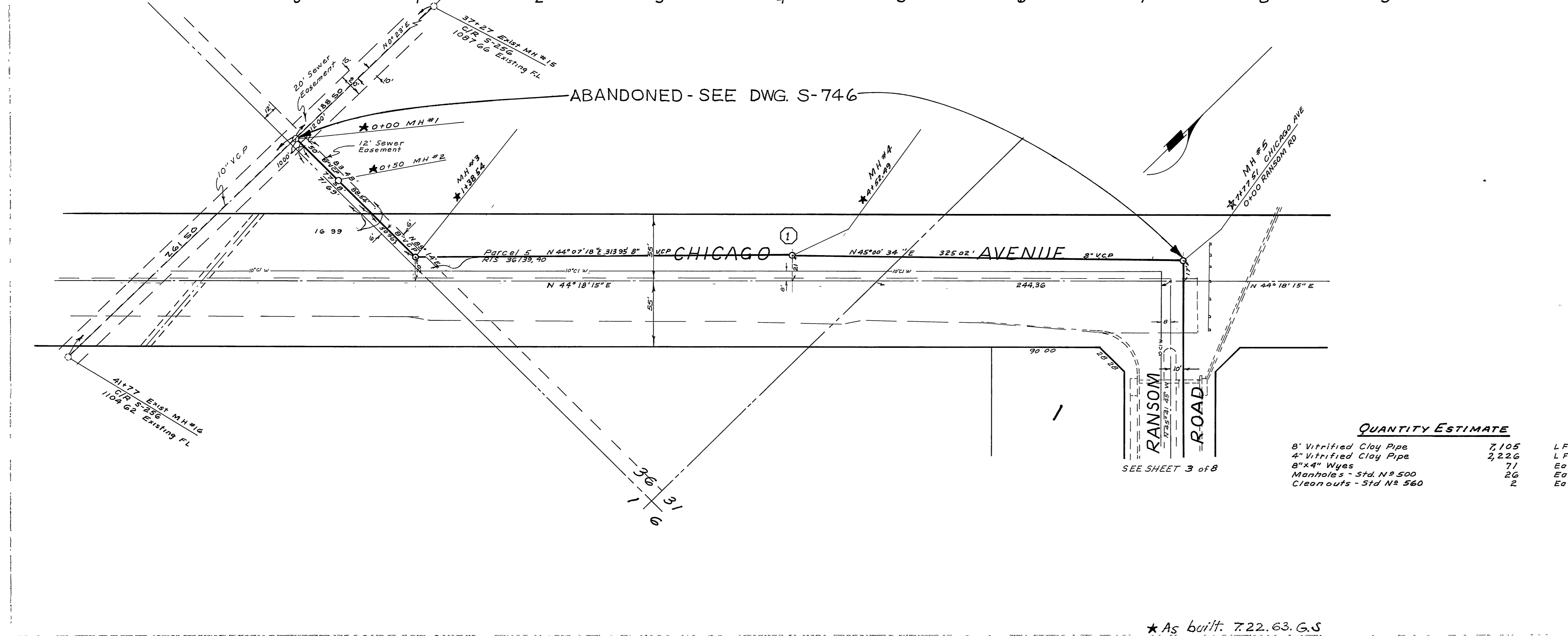
SEWER PLAN & PROFILE
INDEX

TRACT 2416

Nov. 1962 1" = 100'
B.E.L. 62-111 for *A. A. Webb* S-393
887 Raw wds Dec 28/1962 1 of 8



PROFILE SHEET
 PROJECT NO. 1104-62
 SHEET NO. 2 OF 8



- BENCH MARK:** Elev 1138.41
 Top of 4" I.P. filled with conc SE Cor Sec 36.
- GENERAL NOTES**
- Construction shall be in accordance with the City of Riverside, Department of Public Works Specifications No 461 and Standard Drawings
 - Location of Wyes and Laterals to be determined in field.
 - Contractor shall keep an accurate record of the stationing of all house laterals & Wyes for the City of Riverside Public Works Dept and shall mark the curbs of all laterals.
 - Pipe shall be bedded Case II, Standard Drawing No 452
 - Prior to the construction of sewer, contractor is to excavate and contact Engineer for verification of elevation of existing 10" sewer line. This elevation to be determined before cut sheets are issued for this project
 - Wedge-Lok, Speed Seal or equal, conforming to requirements of ASTM C-425-60T, pipe shall be used throughout construction
- ① Sewer shall not be constructed until construction of Chicago Avenue is completed.
7. Portions of sewer that can not be visually inspected shall be balloted.

PLAN SHEET
 PROJECT NO. 1104-62
 SHEET NO. 2 OF 8

QUANTITY ESTIMATE

8" Vitrified Clay Pipe	7,105
4" Vitrified Clay Pipe	2,226
8" x 8" Wyes	71
Manholes - Std. No 500	26
Cleanouts - Std No 560	2

REVISION

MARK	DATE	DESCRIPTION
①	2-4-63	Revised Sewer on Chicago Ave. and changed note BEL
②	3-19-63	Changed grade MH #2 to MH #5 was CHJ JM

ALBERT A. WEBB ASSOCIATES
 CIVIL ENGINEERS - RIVERSIDE, CALIFORNIA
 APPROVED: *Albert A. Webb* DATE 11/15/62
 BY 9876

CITY OF RIVERSIDE, CALIFORNIA
 DEPARTMENT OF PUBLIC WORKS

SEWER PLAN & PROFILE

CHICAGO AVE

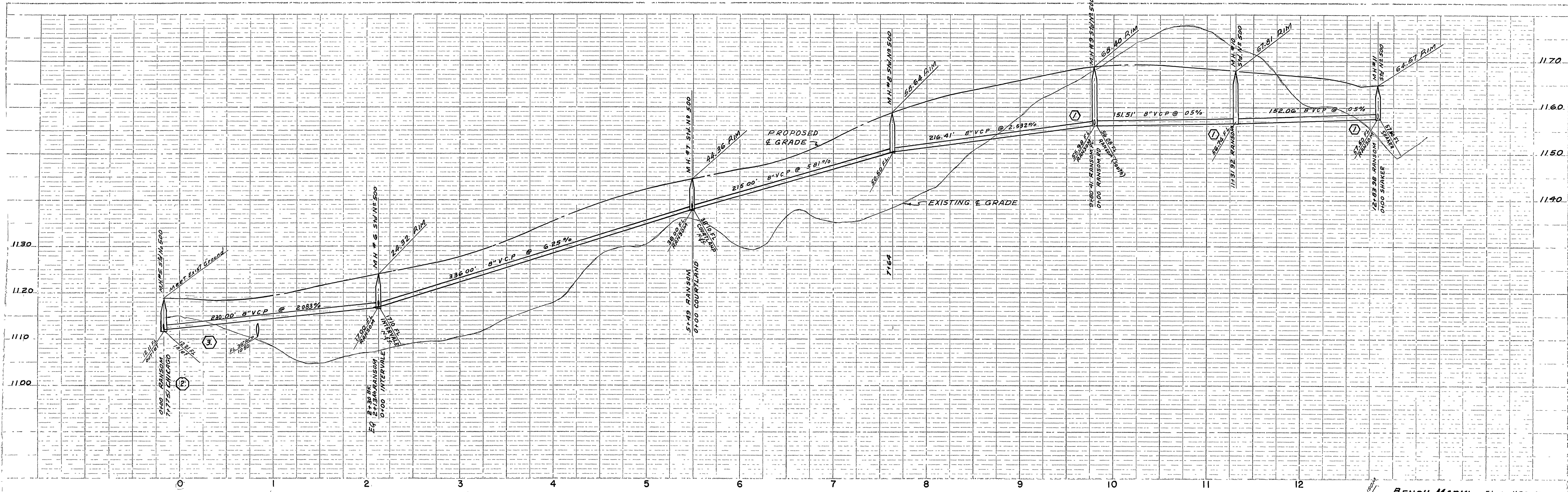
TRACT 2416

APPROVED BY: *Substantial*
 DIRECTOR OF PUBLIC WORKS

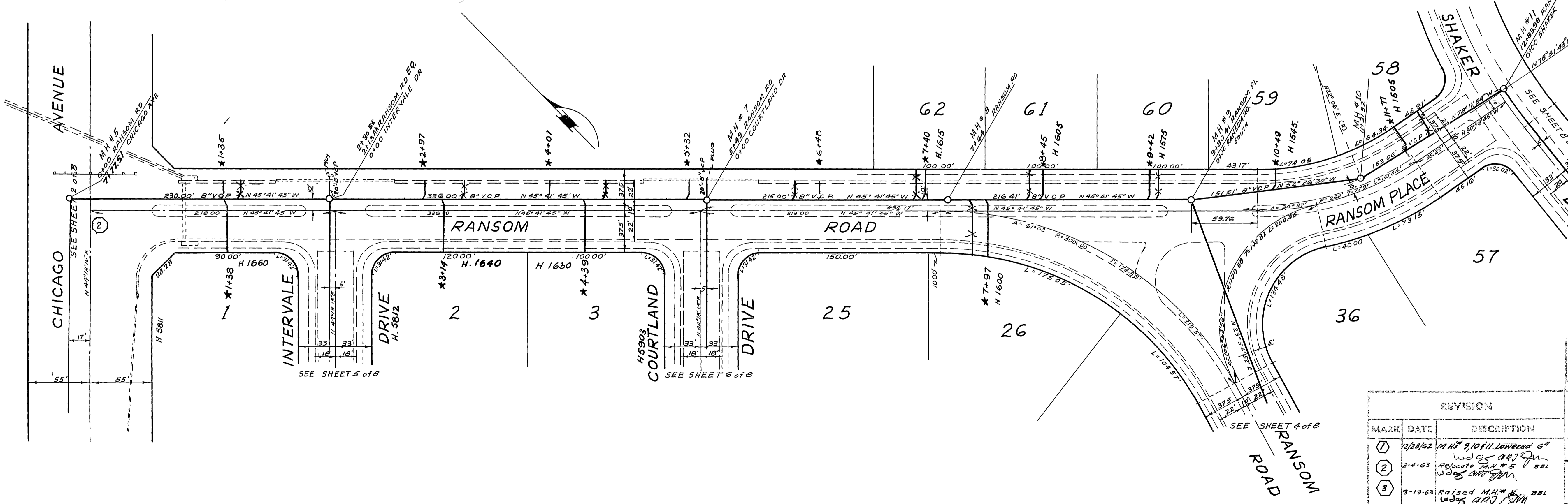
NO. 5-393

DATE: Dec 28 1962 SHEET 2 OF 8

* As built: 7.22.63. G.S



PROFILE
 1" = 10'
 1" = 100'



BENCH MARK: Elev 1138.41
 Top of 4" I.P. filled with conc. SE
 Cor sec 36.

ALBERT A. WEBB ASSOCIATES
 CIVIL ENGINEERS
 RIVERSIDE, CALIFORNIA
 APPROVED: *Albert A. Webb* DATE: 11/15/62

CITY OF RIVERSIDE, CALIFORNIA
 DEPARTMENT OF PUBLIC WORKS

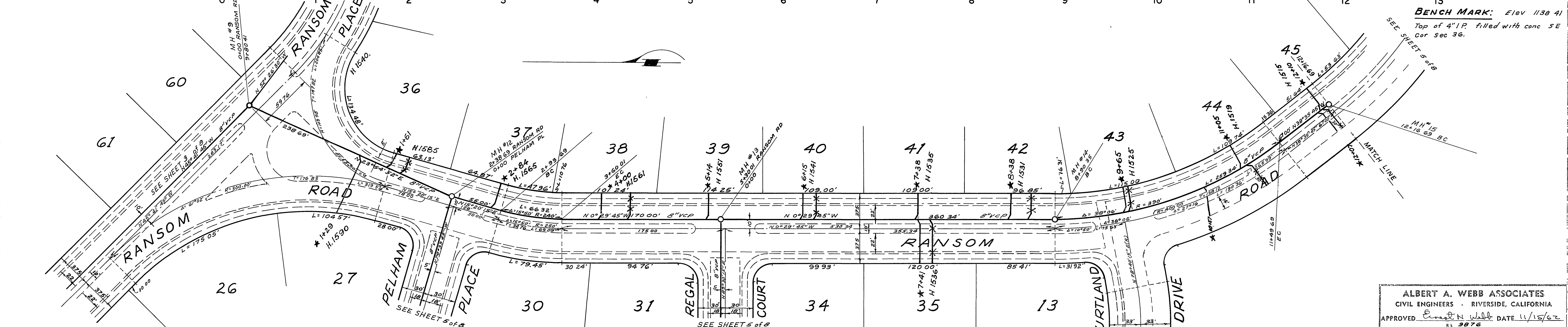
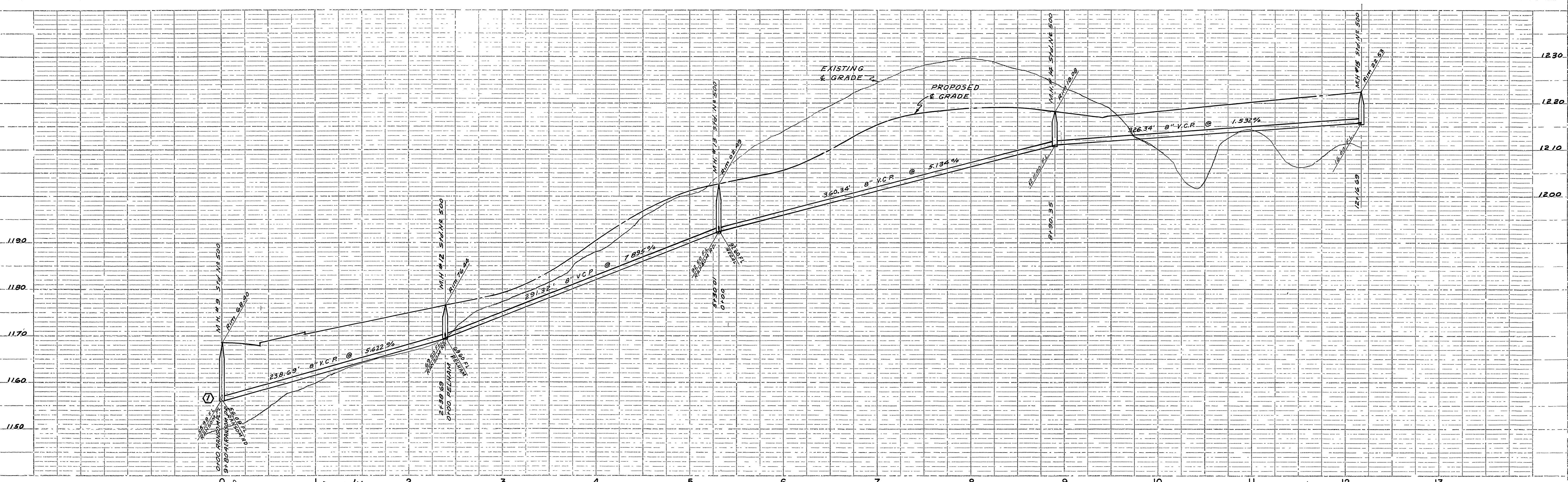
SEWER PLAN & PROFILE
 RANSOM ROAD

TRACT 2416

MARK	DATE	DESCRIPTION
①	12/20/62	M.H. #9, 10, 11 lowered 6" w/ 2" 10' dia
②	12-4-63	Relocate M.H. #5 SEE SHEET 5 of 8
③	9-19-63	Raised M.H. #5 SEE SHEET 5 of 8

APPROVED BY: *Albert A. Webb*
 DATE: Dec 28, 1962
 5-393

* = As built 7 1763 G. SUICK



BENCH MARK: Elev 1138.91
 Top of 4" I.P. filled with conc 5E
 cor Sec 36.

ALBERT A. WEBB ASSOCIATES
 CIVIL ENGINEERS - RIVERSIDE, CALIFORNIA
 APPROVED: *Albert A. Webb* DATE 11/15/62
 N. 3876

CITY OF RIVERSIDE, CALIFORNIA
 DEPARTMENT OF PUBLIC WORKS

SEWER PLAN & PROFILE
RANSOM ROAD

TRACT 2416

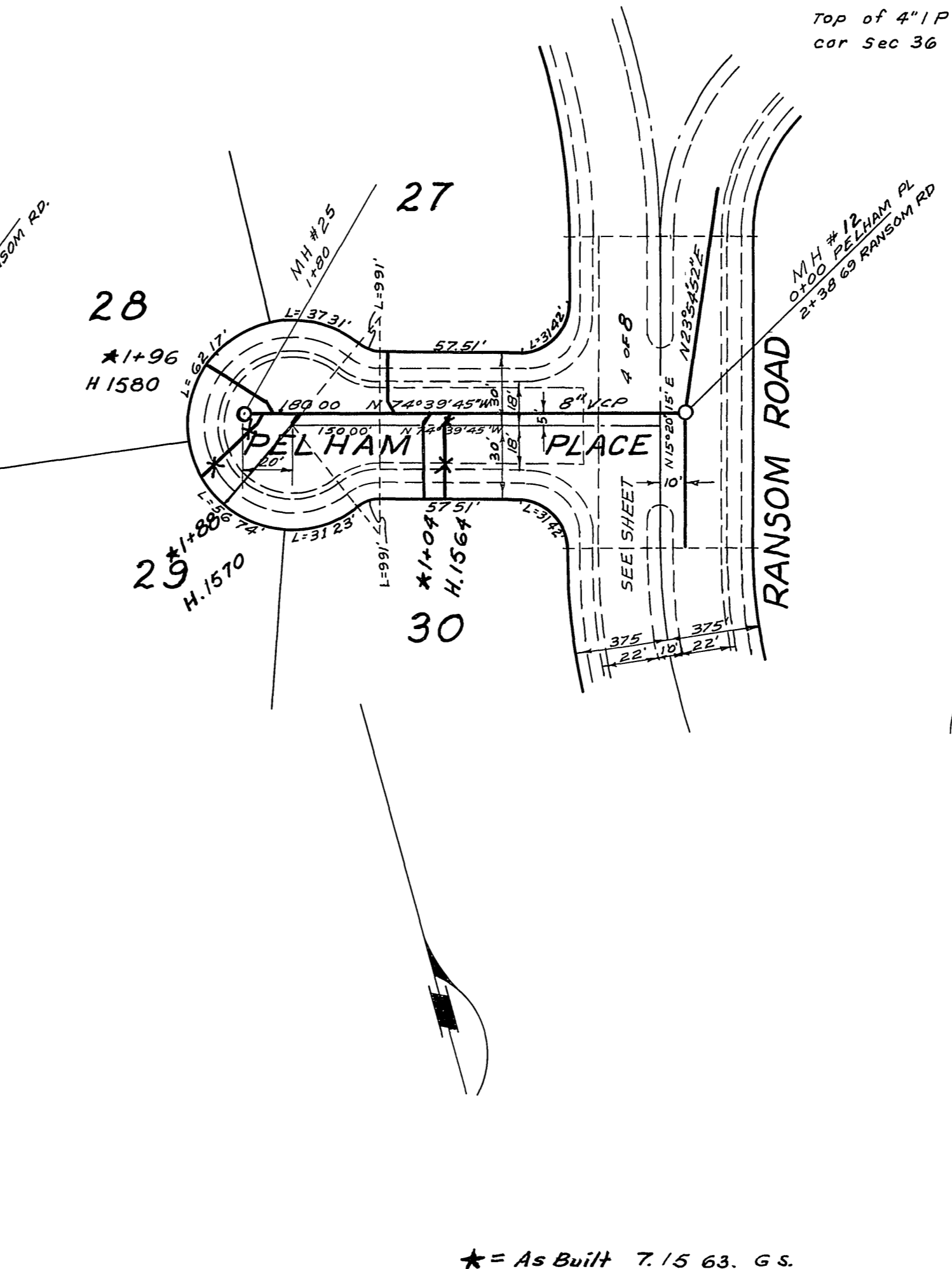
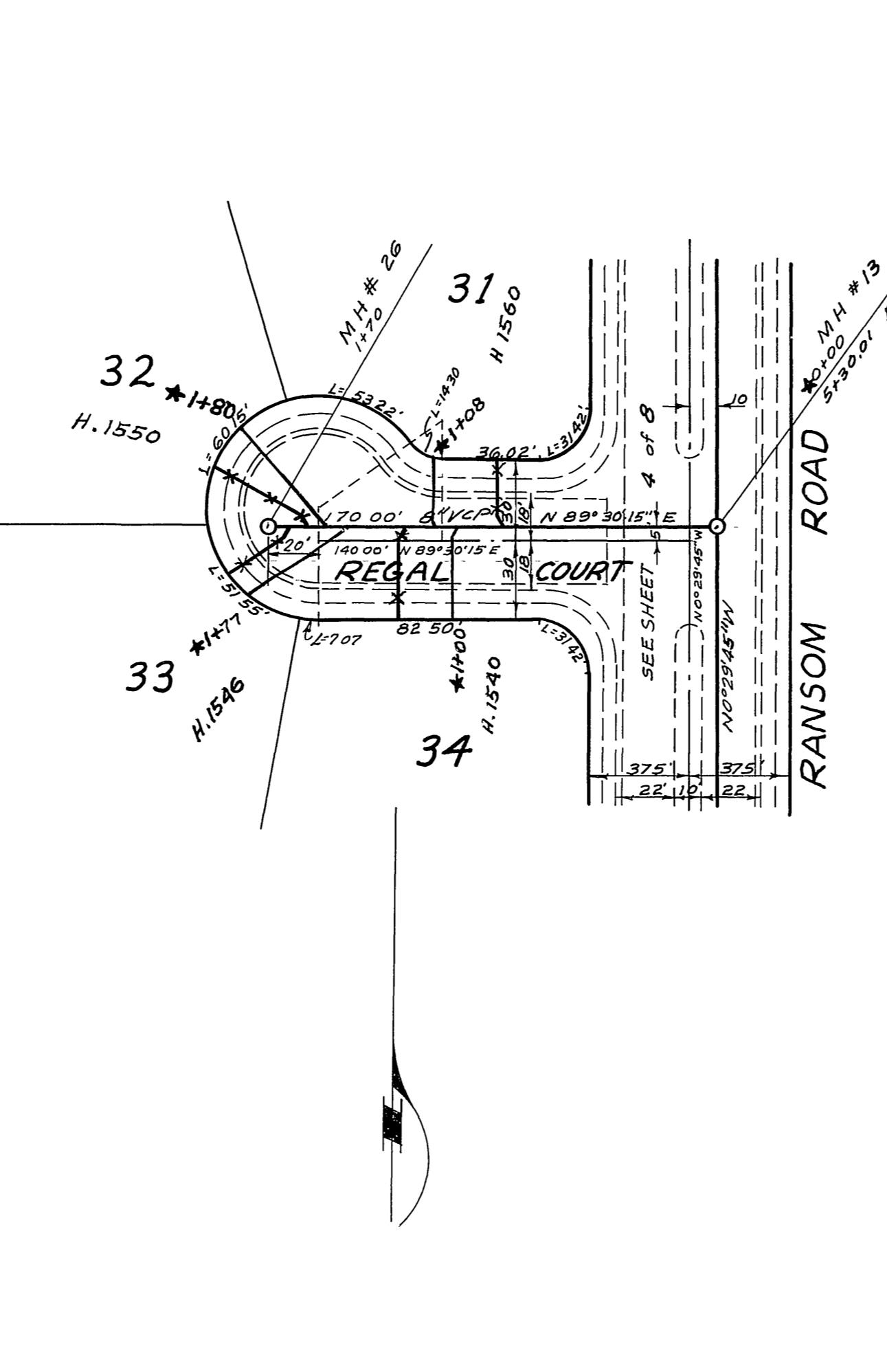
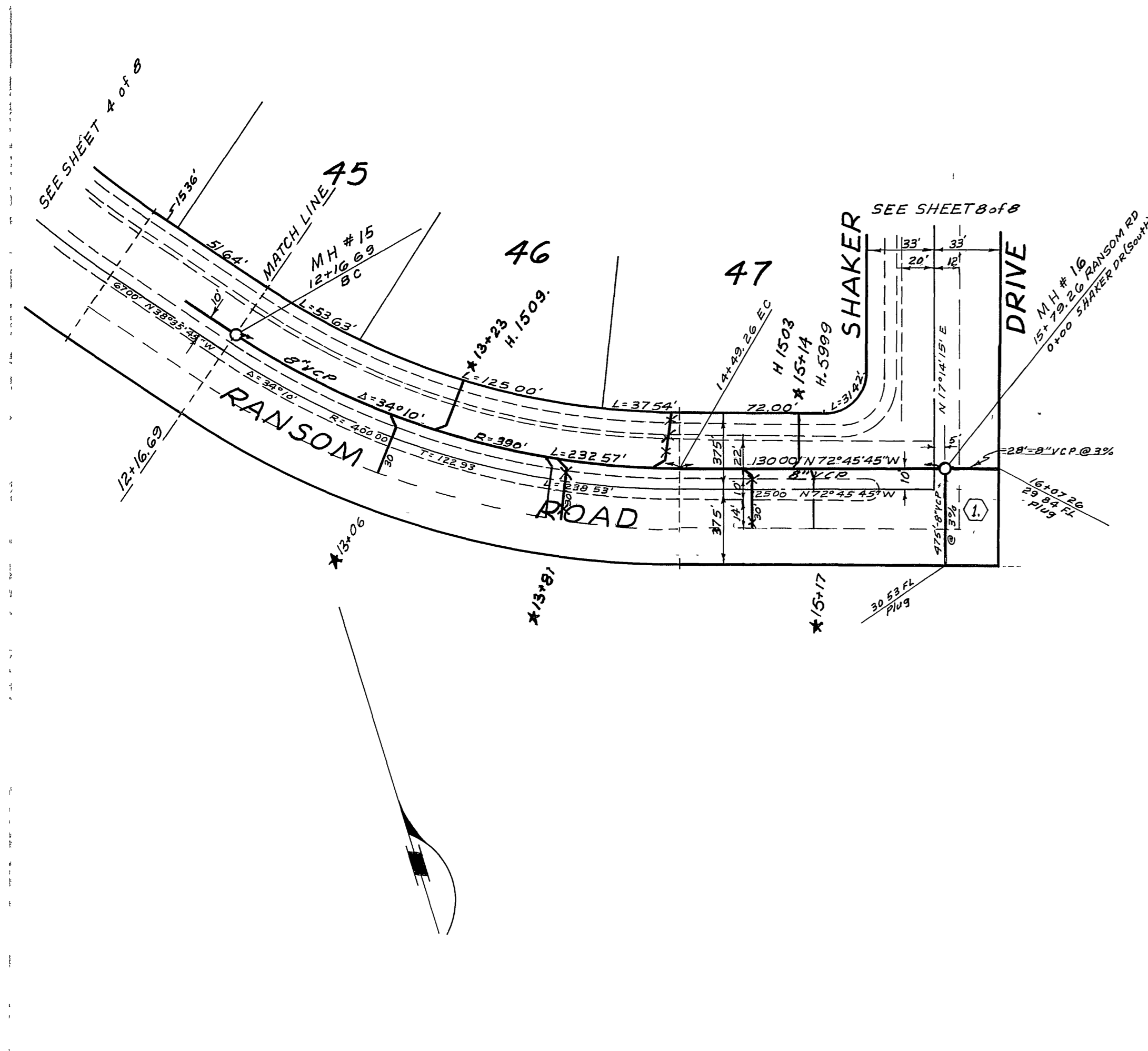
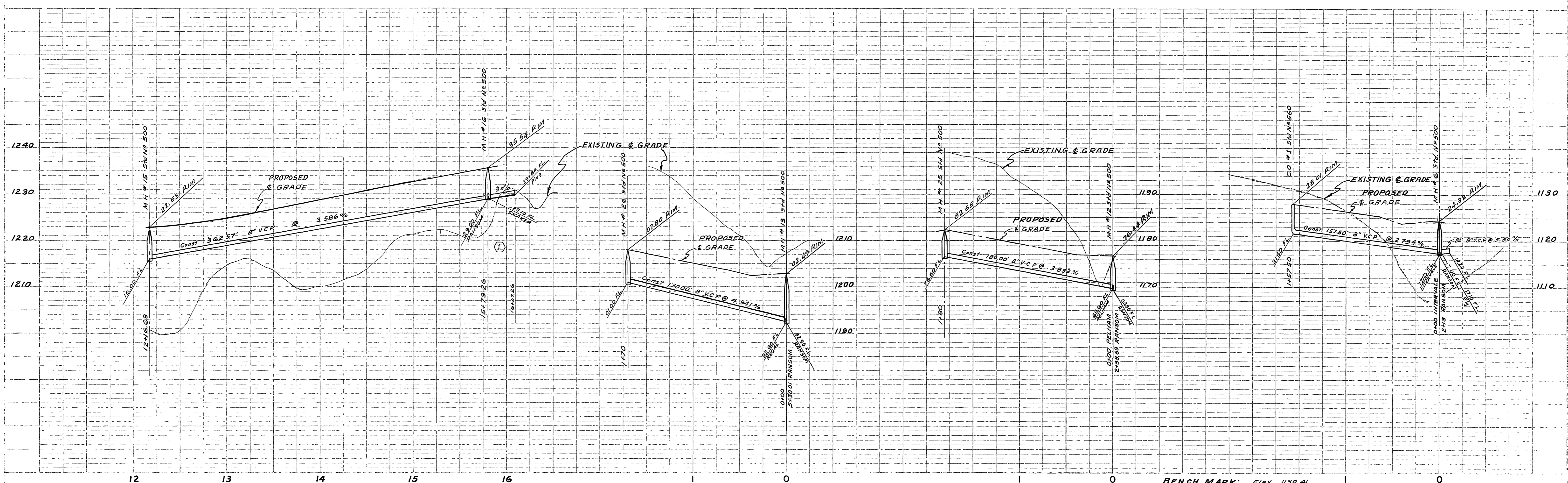
REVISION		
MARK	DATE	DESCRIPTION
①	12/28/62	M.H. #9 Lowered 6" w/ O.A.J.

APPROVED BY: *W. J. ...*
 DIRECTOR OF PUBLIC WORKS
 DATE Dec 28, 1962
 NO. **S-393**
 SHEET 4 OF 8

* = As built 7.17.63. G. Svika.

NO.	DATE	DESCRIPTION
1	11/15/62	PRELIMINARY
2	12/28/62	AS BUILT

NO.	DATE	DESCRIPTION
1	11/15/62	PRELIMINARY
2	12/28/62	AS BUILT



BENCH MARK: Elev 1138.41
Top of 4"IP filled with conc. 5.E
car Sec 36

REVISION

MARK	DATE	DESCRIPTION
①	9-18-62	Expanded sewer to R with 4" IP

**CITY OF RIVERSIDE, CALIFORNIA
DEPARTMENT OF PUBLIC WORKS**

**SEWER PLAN & PROFILE
PELHAM PL, RANSOM RD.
INTERVALE DR.**

TRACT 2416

DATE Nov 1962
DRAWN B.E.L.
CHECKED Roy W. J.

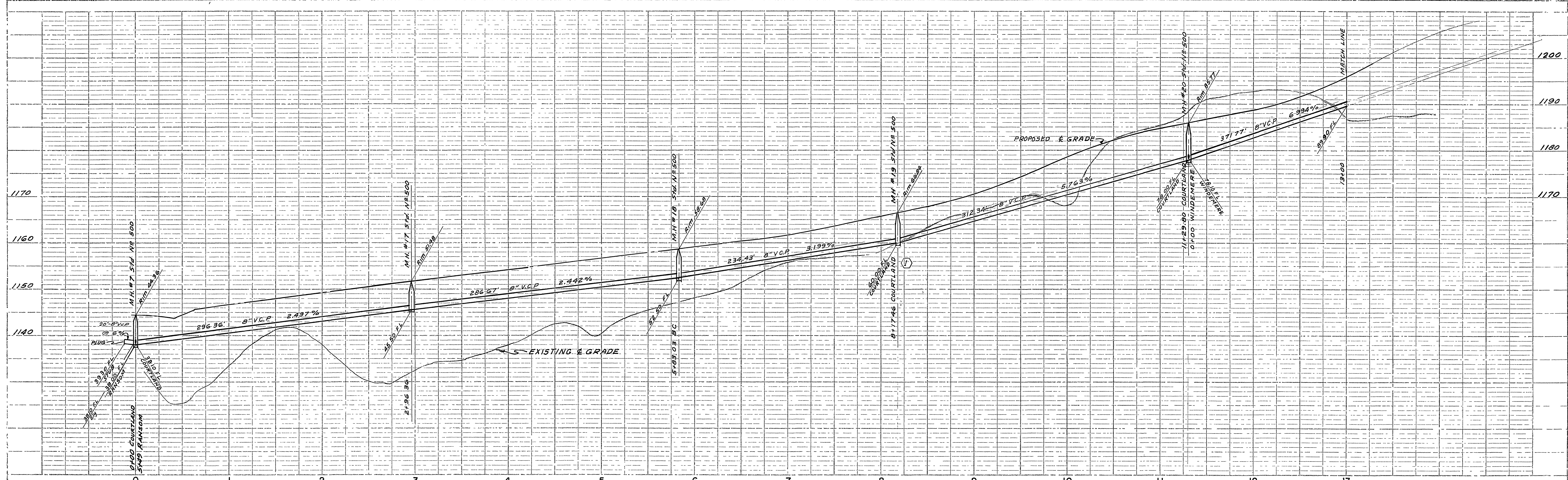
SCALE: HORIZ 1"=50'
VERT. 1"=10'

APPROVED BY: *[Signature]*
DIRECTOR OF PUBLIC WORKS

NO. S-393
DATE Dec 28 1962
SHEET 5 of 8

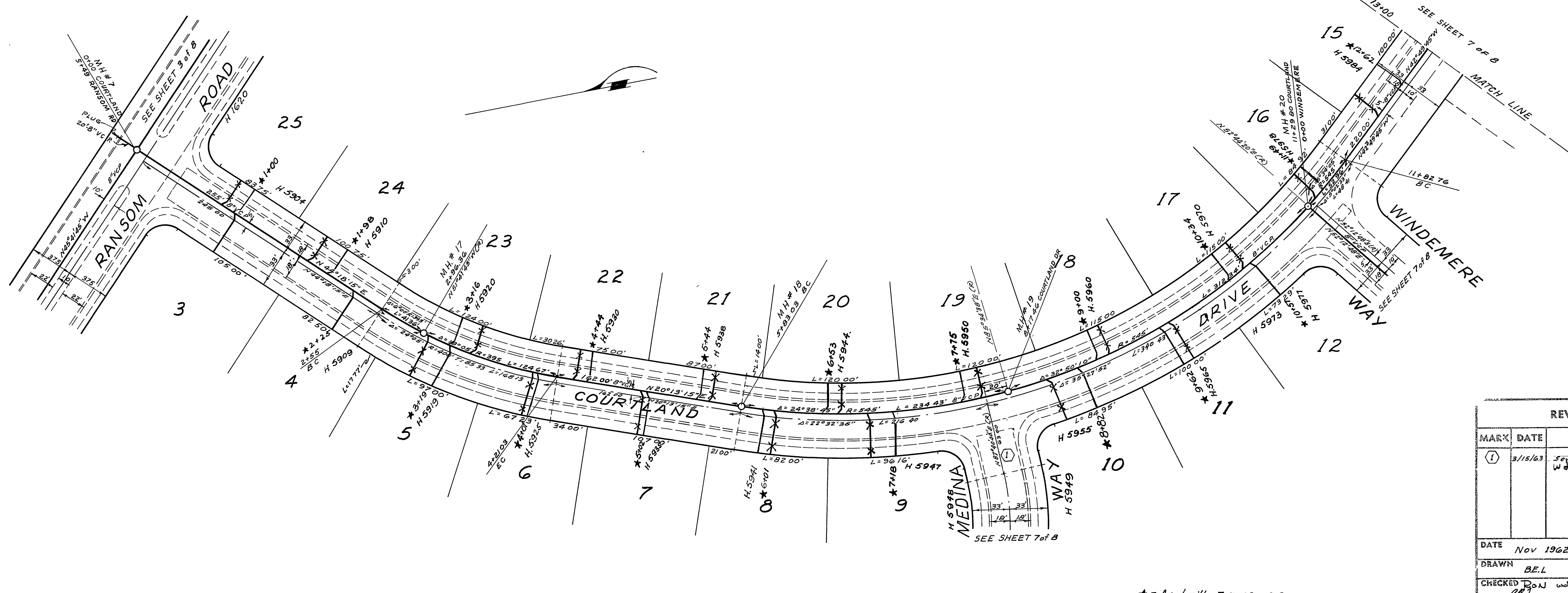
ALBERT A. WEBB ASSOCIATES
CIVIL ENGINEERS - RIVERSIDE, CALIFORNIA
APPROVED: *[Signature]* DATE 11/15/62
R. 9876

* = As Built 7.15.63. G.S.



PROFILE

SUB. ENG. _____
 DATE _____
 DRAWN BY _____
 CHECKED BY _____



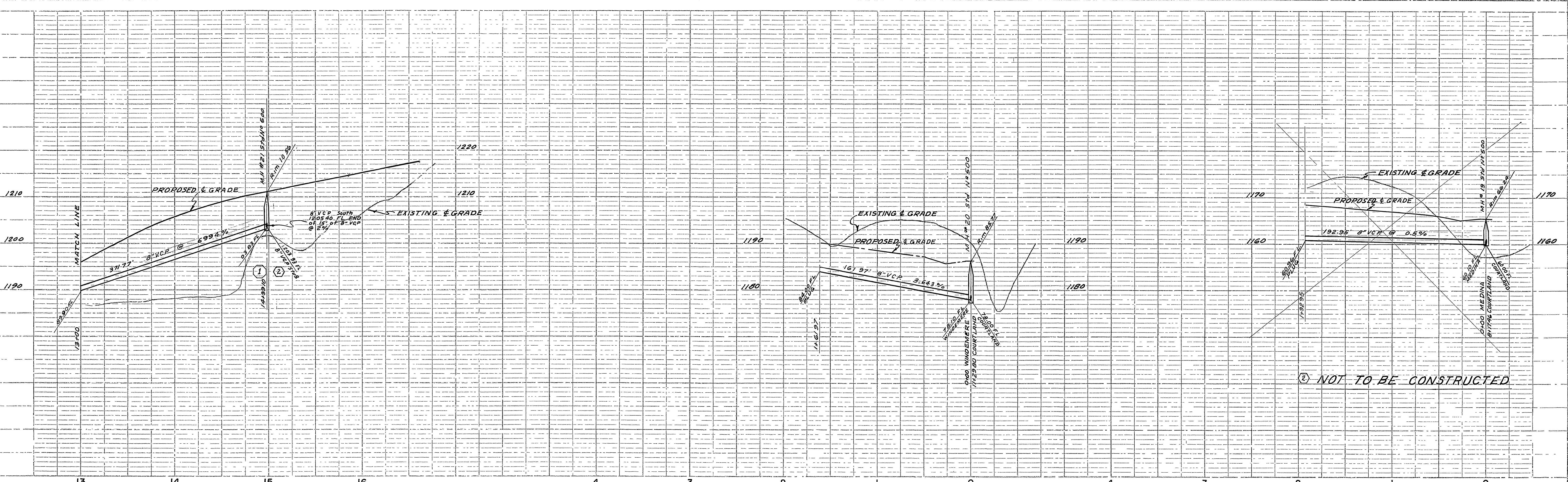
BENCH MARK: Elev 1138.41
 Top of 4" I.P. filled with conc SE
 cor. Sec 36

ALBERT A. WEBB ASSOCIATES CIVIL ENGINEERS - RIVERSIDE, CALIFORNIA APPROVED: <i>Albert A. Webb</i> DATE 11/15/62 H. 5976		CITY OF RIVERSIDE, CALIFORNIA DEPARTMENT OF PUBLIC WORKS SEWER PLAN & PROFILE COURTLAND DRIVE TRACT 2416	
REVISION MARK DATE DESCRIPTION (1) 3/15/63 Sewer Line Deleted BEL W. O. B. L.		APPROVED BY: <i>W. O. B. L.</i> DIRECTOR OF PUBLIC WORKS NO. S-393 DATE Dec 28 1962 SHEET 6 OF 8	
DATE	Nov 1962	SCALE HORIZ.	1"=50'
DRAWN	B.E.L.	VERT.	1"=10'
CHECKED	B.O.N. W.B.	F.B.	438 & 498

* As built 7.7.63 G.S.

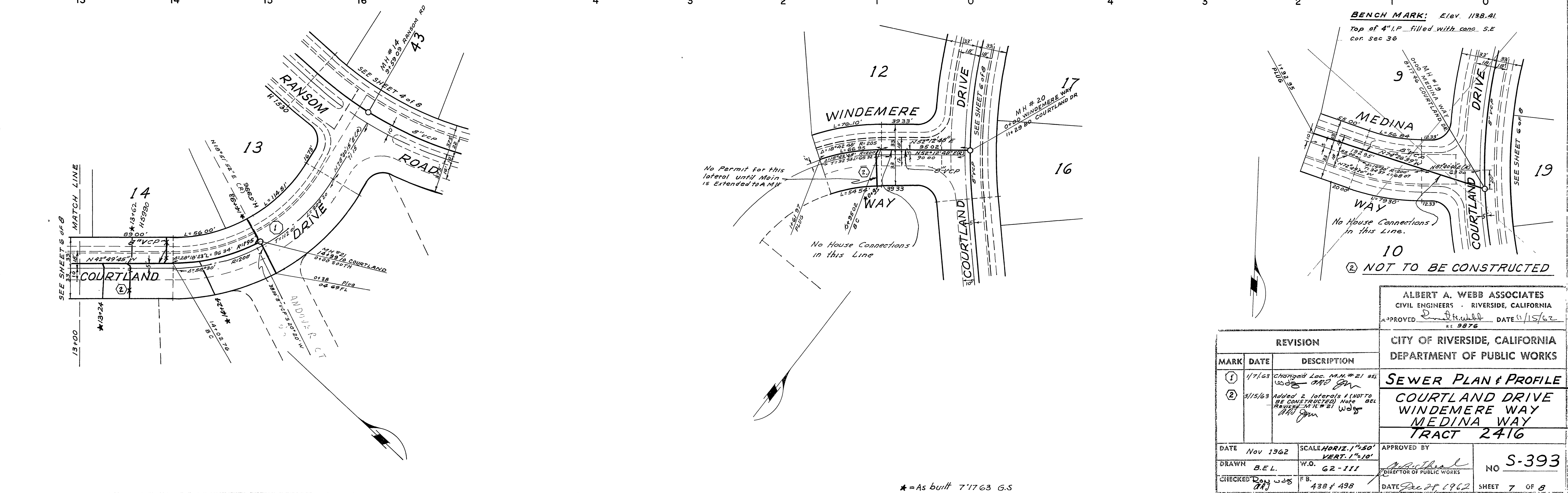
PLAN

DATE _____
 DRAWN BY _____
 CHECKED BY _____



PROFILE SHEET

NOTE: PLAN, GRADES, ELEVATIONS, & VERTICAL CURVE DATA ARE SHOWN ON THIS SHEET.



PLAN SHEET

NOTE: PLAN, GRADES, ELEVATIONS, & VERTICAL CURVE DATA ARE SHOWN ON THIS SHEET.

ALBERT A. WEBB ASSOCIATES
 CIVIL ENGINEERS - RIVERSIDE, CALIFORNIA
 APPROVED: *Albert A. Webb* DATE: 11/15/62
 RE: 9976

REVISION		
MARK	DATE	DESCRIPTION
①	1/7/63	Changed Loc. M.M. # 21 SEE 10022 - <i>AKO</i>
②	3/15/63	Added 2 Intercepts 1 KNOWN TO BE CONSTRUCTED) NOTE: DEL REVISION M.M. # 21 <i>WDS</i>

CITY OF RIVERSIDE, CALIFORNIA
 DEPARTMENT OF PUBLIC WORKS

SEWER PLAN & PROFILE
COURTLAND DRIVE
WIDEMERE WAY
MEDINA WAY
TRACT 2416

APPROVED BY: *Albert A. Webb*
 DIRECTOR OF PUBLIC WORKS

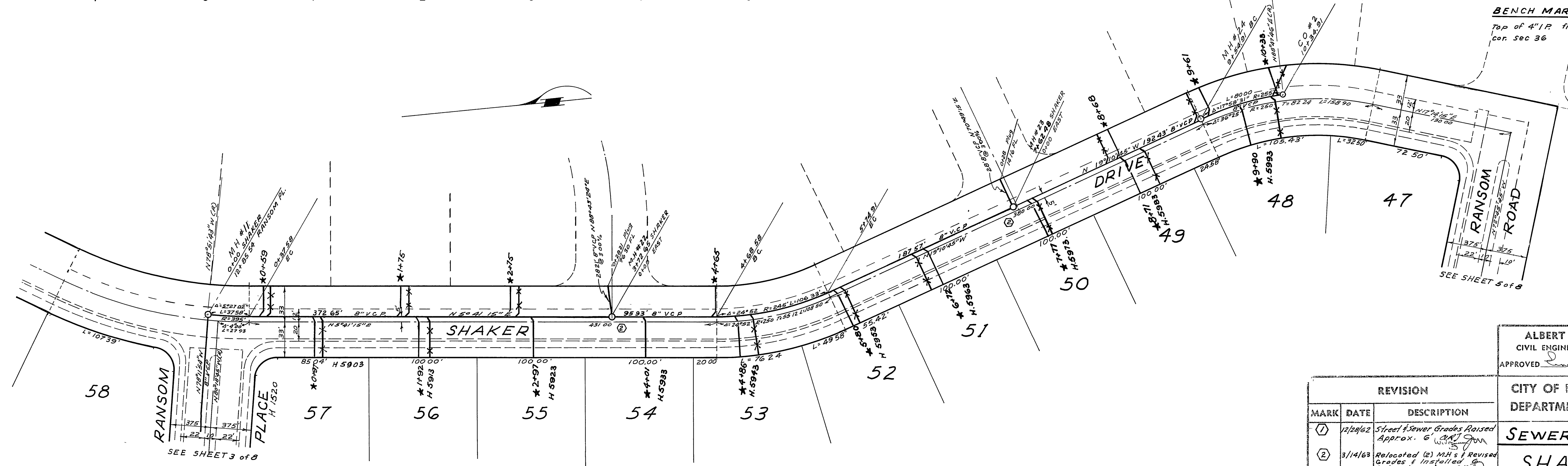
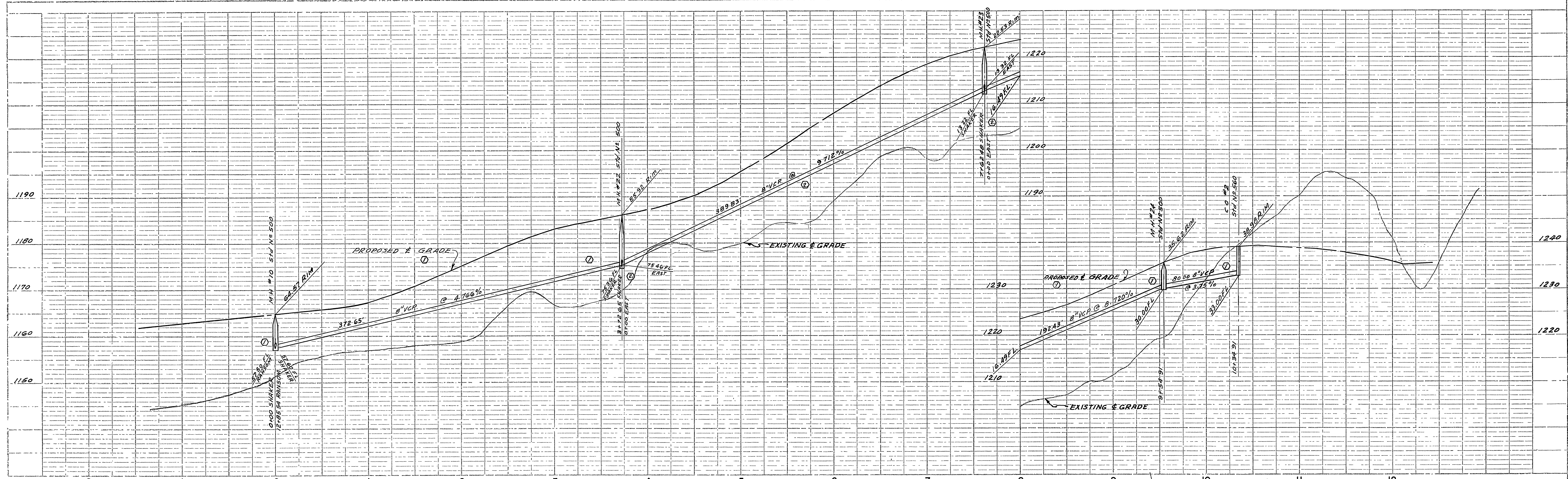
NO. **S-393**

DATE: Nov 1962
 SCALE: HORIZ. 1"=50'
 VERT. 1"=10'

CHECKED: *WDS*
 DATE: Dec 27, 1962

SHEET 7 OF 8

* = As built 7/17/63 G.S.



BENCH MARK: Elev 1138.41
 Top of 4" IP filled with conc SE
 cor. Sec 36

REVISION		
MARK	DATE	DESCRIPTION
①	12/24/62	Street & Sewer Grades Raised Approx. 6" W.M. from
②	3/14/63	Relocated (2) M.H.'s & Revised Grades & installed concrete catch basins

ALBERT A. WEBB ASSOCIATES
 CIVIL ENGINEERS - RIVERSIDE, CALIFORNIA
 APPROVED: *[Signature]* DATE 11/15/62
 RE 9876

CITY OF RIVERSIDE, CALIFORNIA
 DEPARTMENT OF PUBLIC WORKS

SEWER PLAN & PROFILE

SHAKER DRIVE

TRACT 2416

APPROVED BY: *[Signature]*
 DIRECTOR OF PUBLIC WORKS

DATE Dec 28, 1962

NO. **S-393**

DATE 11/15/62

438 & 498

SHEET 8 OF 8

*As built 7.1763 GS.

PROFILE SHEET NO. 8
 DATE 11/15/62
 DRAWN BY BEL
 CHECKED BY RAN

PLAN SHEET NO. 8
 DATE 11/15/62
 DRAWN BY BEL
 CHECKED BY RAN