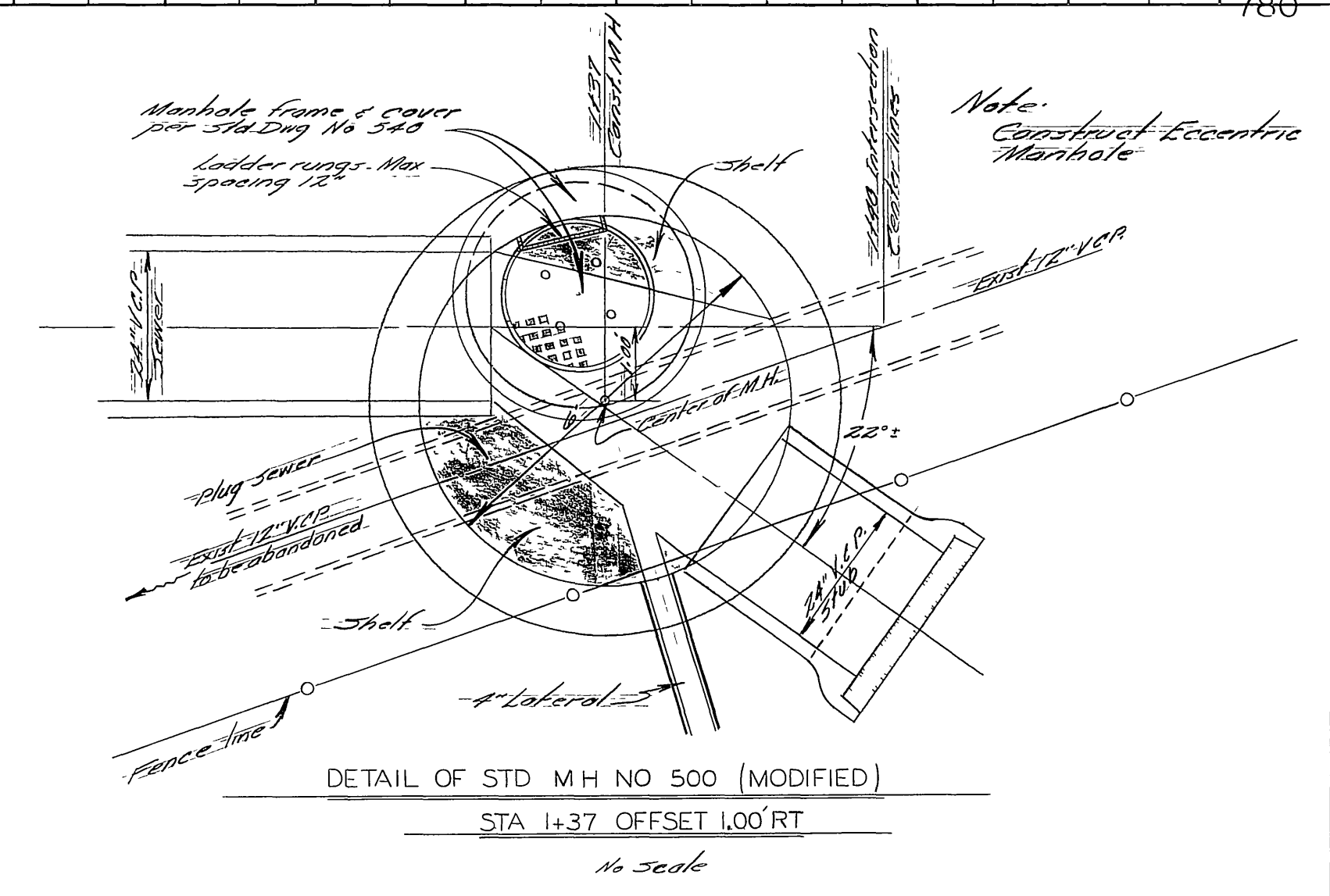
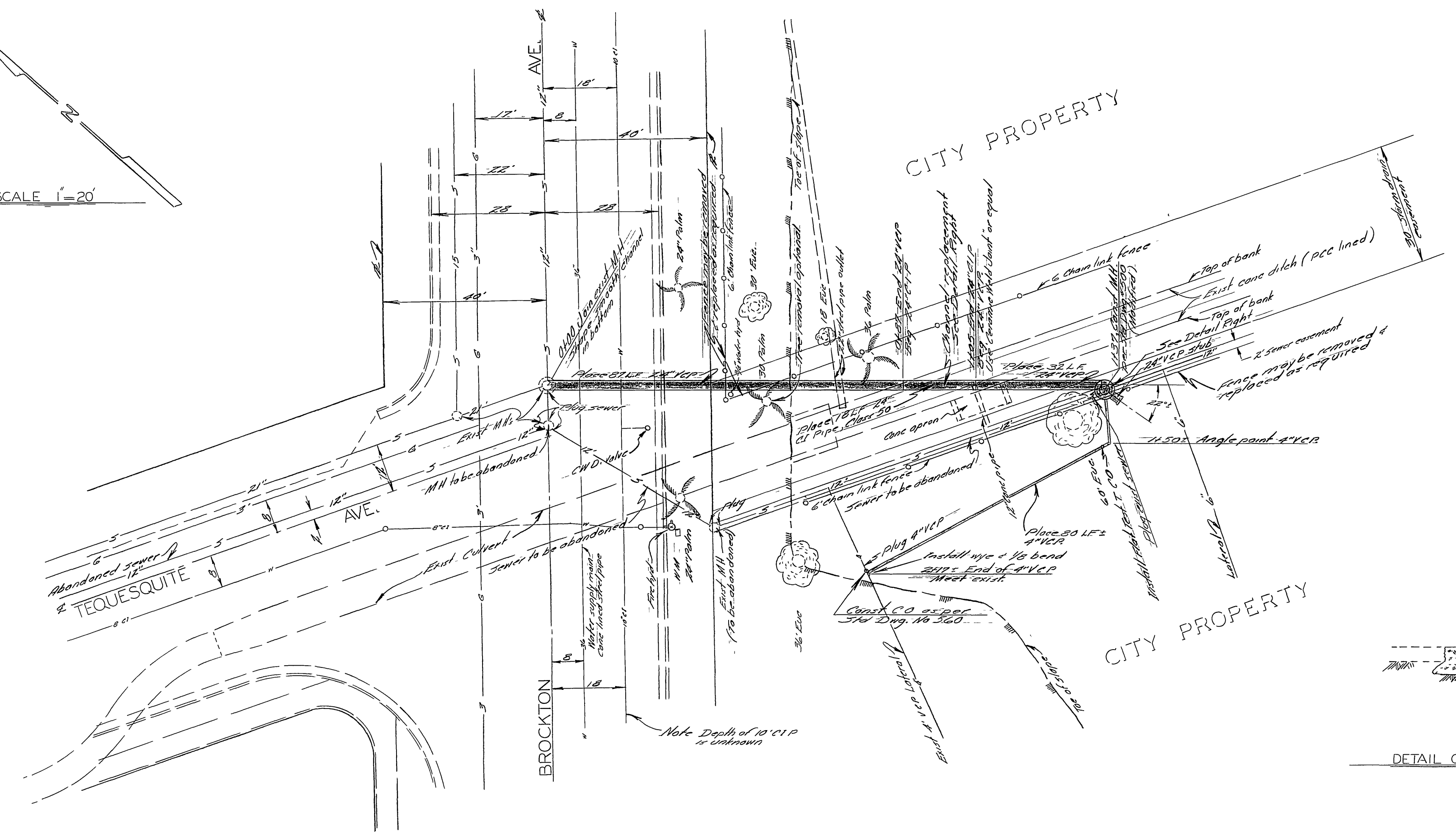
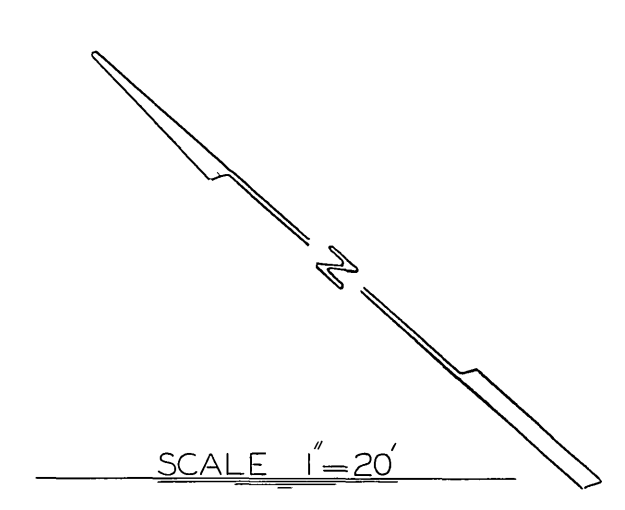
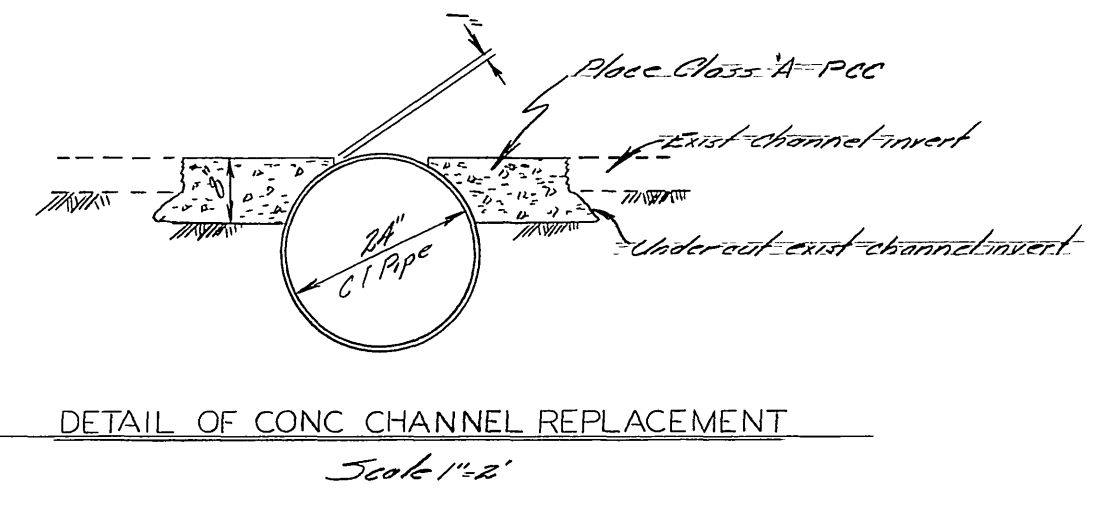


BM ELEV 796.92 - R.R SPIKE IN P 8466J  
E SIDE BROCKTON N OF TEQUESQUITE  
FB S-2/49-51  
SCALE HOR 1" = 20'  
VERT 1" = 2'

PROFILE	
NO.	DATE



PLAN	
NO.	DATE



REVISIONS			CITY OF RIVERSIDE, CALIFORNIA DEPARTMENT OF PUBLIC WORKS
MARK	DATE	DESCRIPTION	
			VICTORIA TRUNK SEWER RELOCATION AT BROCKTON
DESIGNED BY	SUBMITTED BY	APPROVED BY	ACCT NO. 5044
DRAWN BY P.m	WILLIAM B. HARRISON PARK DEPT. TRAFFIC DIV	J. Marshall DIRECTOR OF PUBLIC WORKS	S-394
CHECKED BY	RECOMMENDED BY	DATE 2-21-63	SHEET 1 OF 1