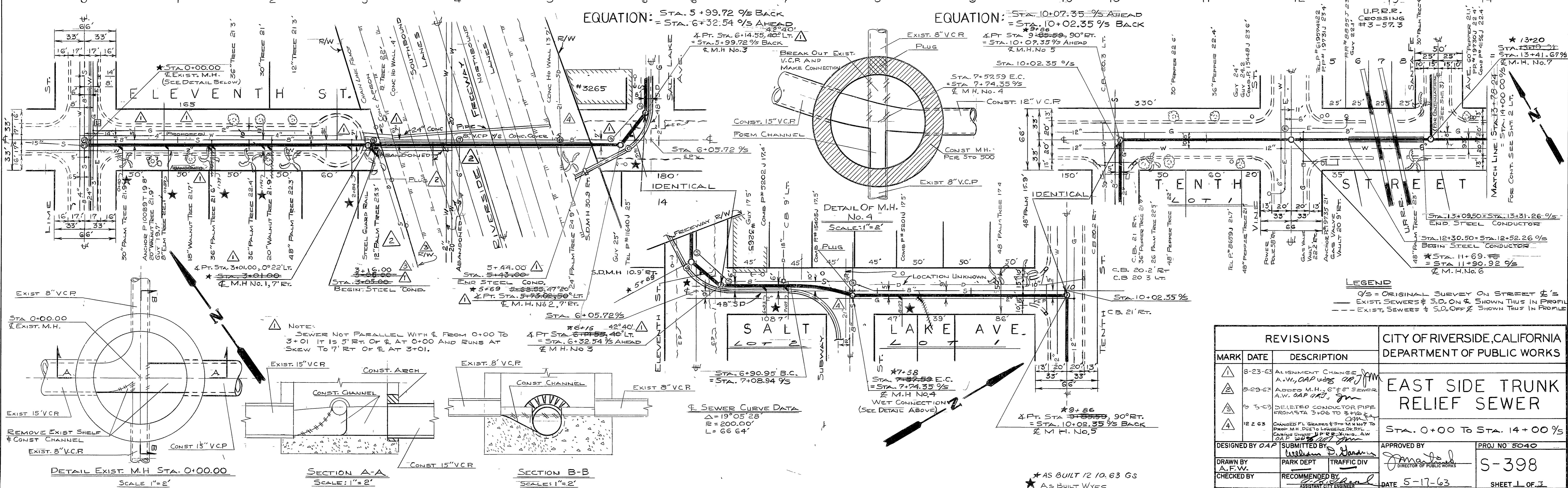


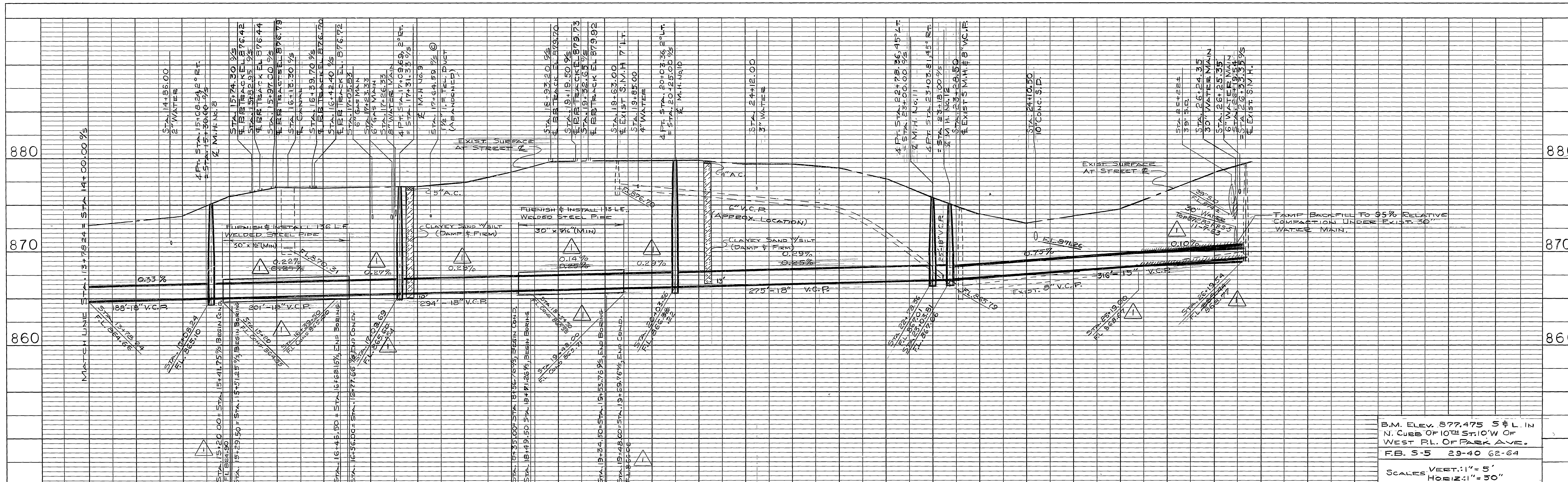
PROFILE	DATE	BY
SURVEYED		
PLOTTED		
CHECKED		
NOTED		
STRUCTURE NOTATIONS CHD		



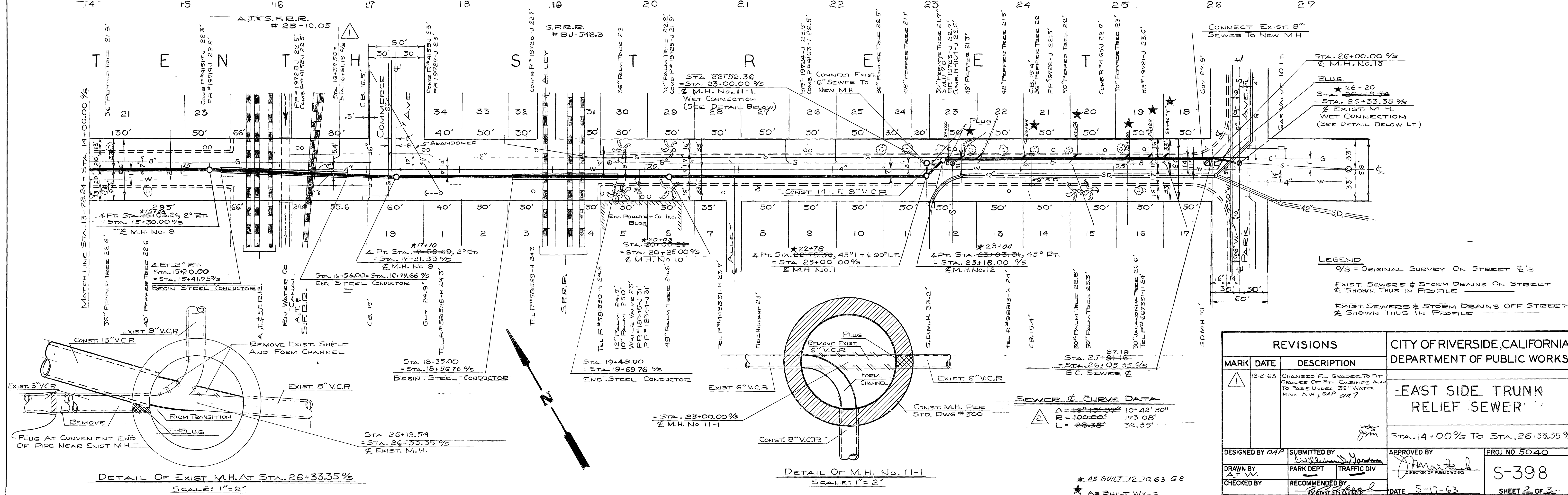
PLAN	DATE	BY
SURVEYED		
PLOTTED		
CHECKED		
NOTED		
AT ALIGNMENT		
AT PLAN		

REVISIONS			CITY OF RIVERSIDE, CALIFORNIA DEPARTMENT OF PUBLIC WORKS		
MARK	DATE	DESCRIPTION			
1	8-23-63	ALIGNMENT CHANGE A.W. CAP WORK	<b>EAST SIDE TRUNK RELIEF SEWER</b> STA. 0+00 TO STA. 14+00 1/2% BEGIN STEEL CONDUCTOR		
2	9-29-63	ADDED M.H. NO. 5 TO SEWER A.W. CAP WORK			
3	9-3-63	DELETED CONDUCTOR PIPE FROM STA 3+06 TO 3+10 CA			
4	12-2-63	CHANGED PL. GRADE FROM STA. 11+00 TO 11+07 TO PROP. M.H. DUE TO LOWERING OF ST. CHANGE UNDER 11' 8" TO 11' 0" A.W. CAP WORK			
DESIGNED BY	O.A.P.	SUBMITTED BY	W. D. DAVIS	APPROVED BY	PROJ NO 5040
DRAWN BY	A.F.V.V.	CHECKED BY	RECOMMENDED BY	DATE	5-17-63
				S-398	
				SHEET 1 OF 3	

\* AS BUILT 12 10 63 GS  
\* AS BUILT WYES



B.M. ELEV. 877.475 S & L IN N. CURB OF 10th ST. 10' W OF WEST RL. OF PARK AVE.  
F.B. S-5 29-40 62-64  
SCALES VERT.: 1" = 5'  
HORIZ.: 1" = 50'



REVISIONS			CITY OF RIVERSIDE, CALIFORNIA DEPARTMENT OF PUBLIC WORKS	
MARK	DATE	DESCRIPTION	EAST SIDE TRUNK RELIEF SEWER	
1	12-2-63	CHANGED FL GRADES TO FIT GRADES OF ST. CASINGS AND TO PASS UNDER 20" WATER MAIN A.W. CAP ON ?	STA. 14+00% TO STA. 26+33.35%	
DESIGNED BY <i>ADP</i>			APPROVED BY <i>[Signature]</i> DIRECTOR OF PUBLIC WORKS	
SUBMITTED BY <i>[Signature]</i>			PROJ NO 5040	
DRAWN BY <i>[Signature]</i>			S-398	
CHECKED BY <i>[Signature]</i>			DATE 5-17-63	
RECOMMENDED BY <i>[Signature]</i>			SHEET 2 OF 3	

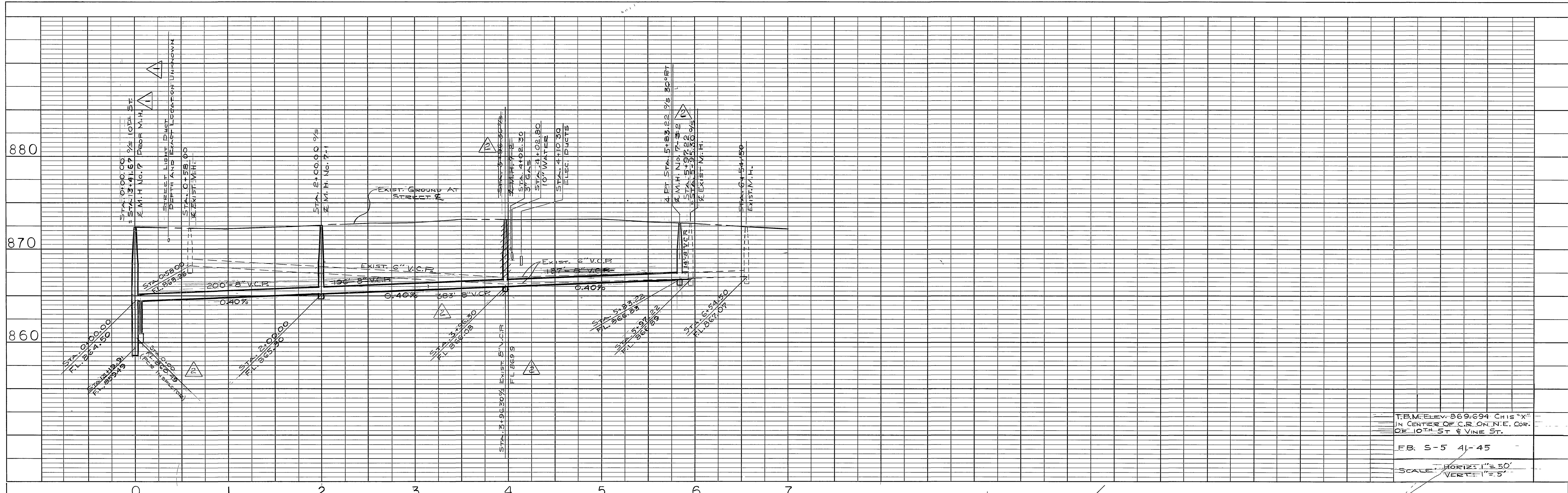
PROFILE	SUBMITTED	DATE
NOTE BOOK	PLANNED	
NO	DESIGNED	
	STRUCTURE NOTATIONS CHECK	

PLAN	SUBMITTED	DATE
NOTE BOOK	PLANNED	
NO	DESIGNED	
	STRUCTURE NOTATIONS CHECK	

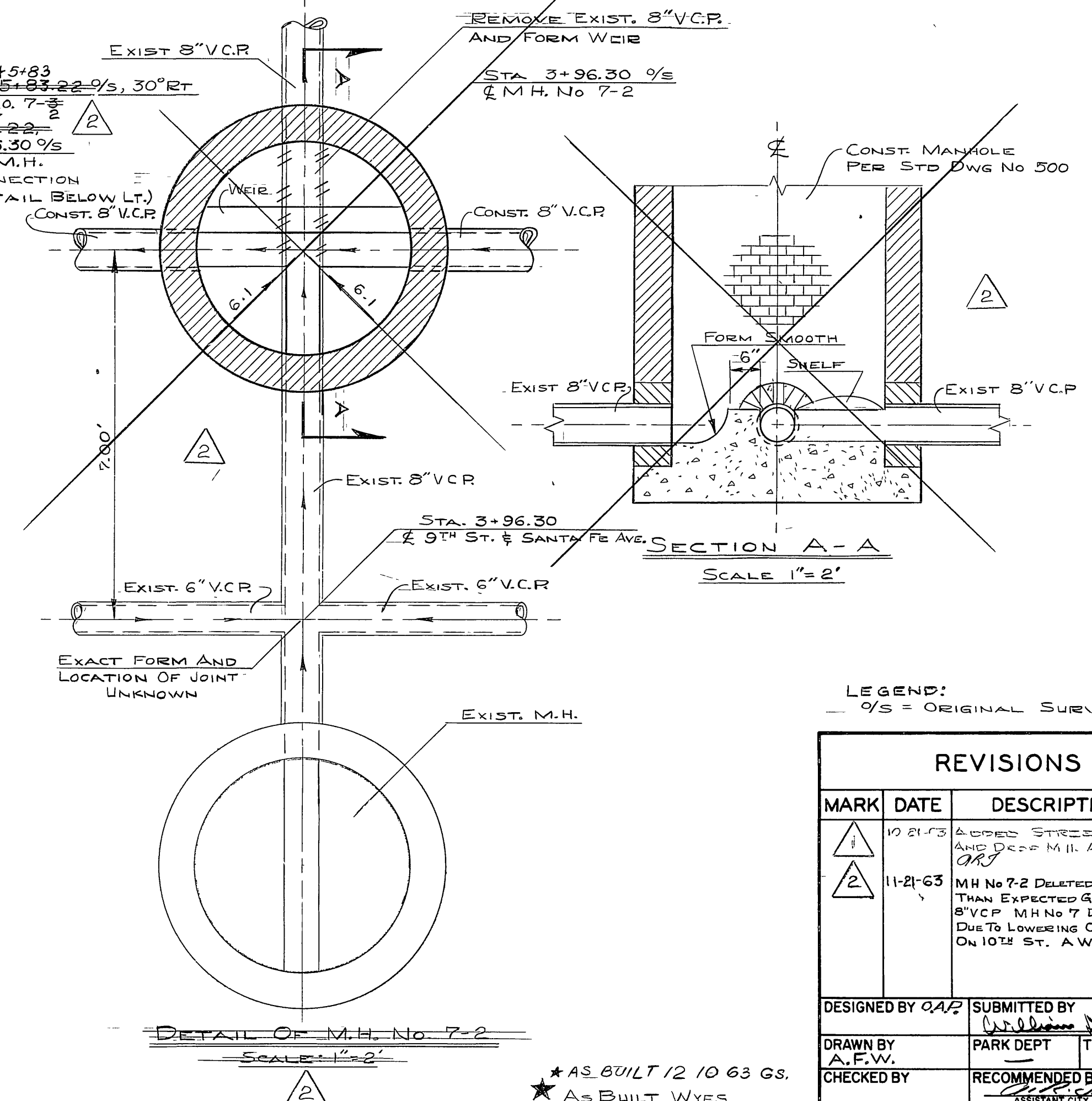
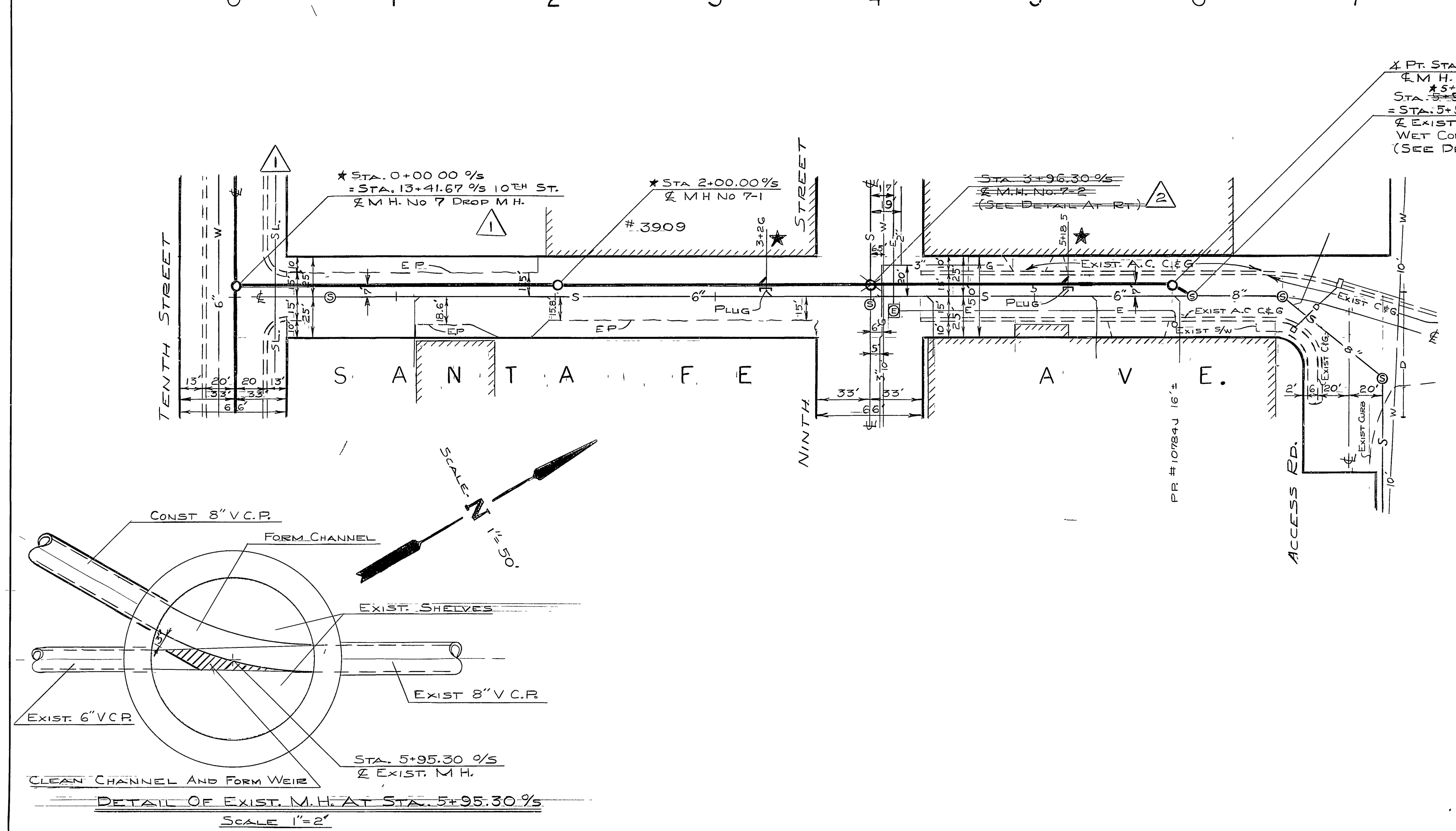
DETAIL OF EXIST. M.H. AT STA. 26+33.35%  
SCALE: 1" = 2'

DETAIL OF M.H. NO. 11-1  
SCALE: 1" = 2'

AS BUILT 12.10.63 GS  
AS BUILT WYES



T.B.M. ELEV. 869.694 CHIS "X"  
IN CENTER OF C.R. ON N.E. COR.  
OF 10TH ST & VINE ST.  
FB: S-5 41-45  
SCALE: HORIZ. 1"=30'  
VERT. 1"=5'



LEGEND:  
- 1/2 S = ORIGINAL SURVEY ON STREET &

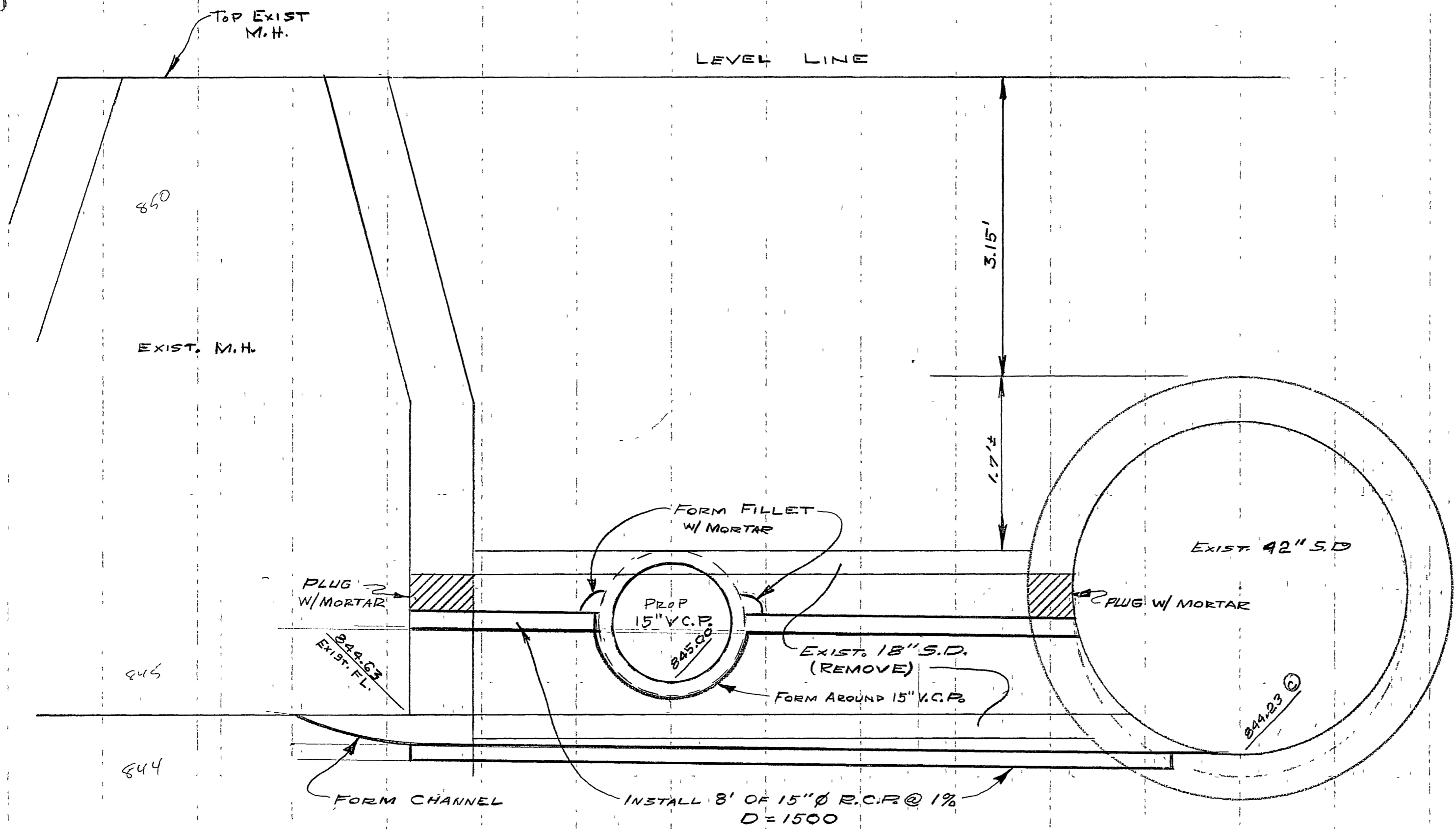
REVISIONS		
MARK	DATE	DESCRIPTION
1	10-21-63	ADDED STREET LINE SET AND DEF. M.H. A.W. O.A.P. OR
2	11-21-63	M.H. No 7-2 DELETED DUE TO LOWER THAN EXPECTED GRADE OF EXIST 8" V.C.P. M.H. NO 7 DROOP M.H. DUE TO LOWERING OF STL. CASING ON 10TH ST. A.W. O.A.P. OR

DESIGNED BY <i>QAS</i>		SUBMITTED BY <i>William D. Hanson</i>		APPROVED BY <i>[Signature]</i>		PROJ NO 5040	
DRAWN BY A.F.V.		PARK DEPT TRAFFIC DIV		DIRECTOR OF PUBLIC WORKS		S-398	
CHECKED BY <i>[Signature]</i>		RECOMMENDED BY <i>[Signature]</i>		DATE 5-17-63		SHEET 3 OF 3	

PROFILE	SURVEYED	BY	DATE
NOTE BOOK	PLOTTED		
STRUCTURE	CHECKED		
STRUCTURE	NOTATION		

PLAN	SURVEYED	BY	DATE
NOTE BOOK	PLOTTED		
STRUCTURE	CHECKED		
STRUCTURE	NOTATION		

\* AS BUILT 12 10 63 GS.  
\* AS BUILT WYES



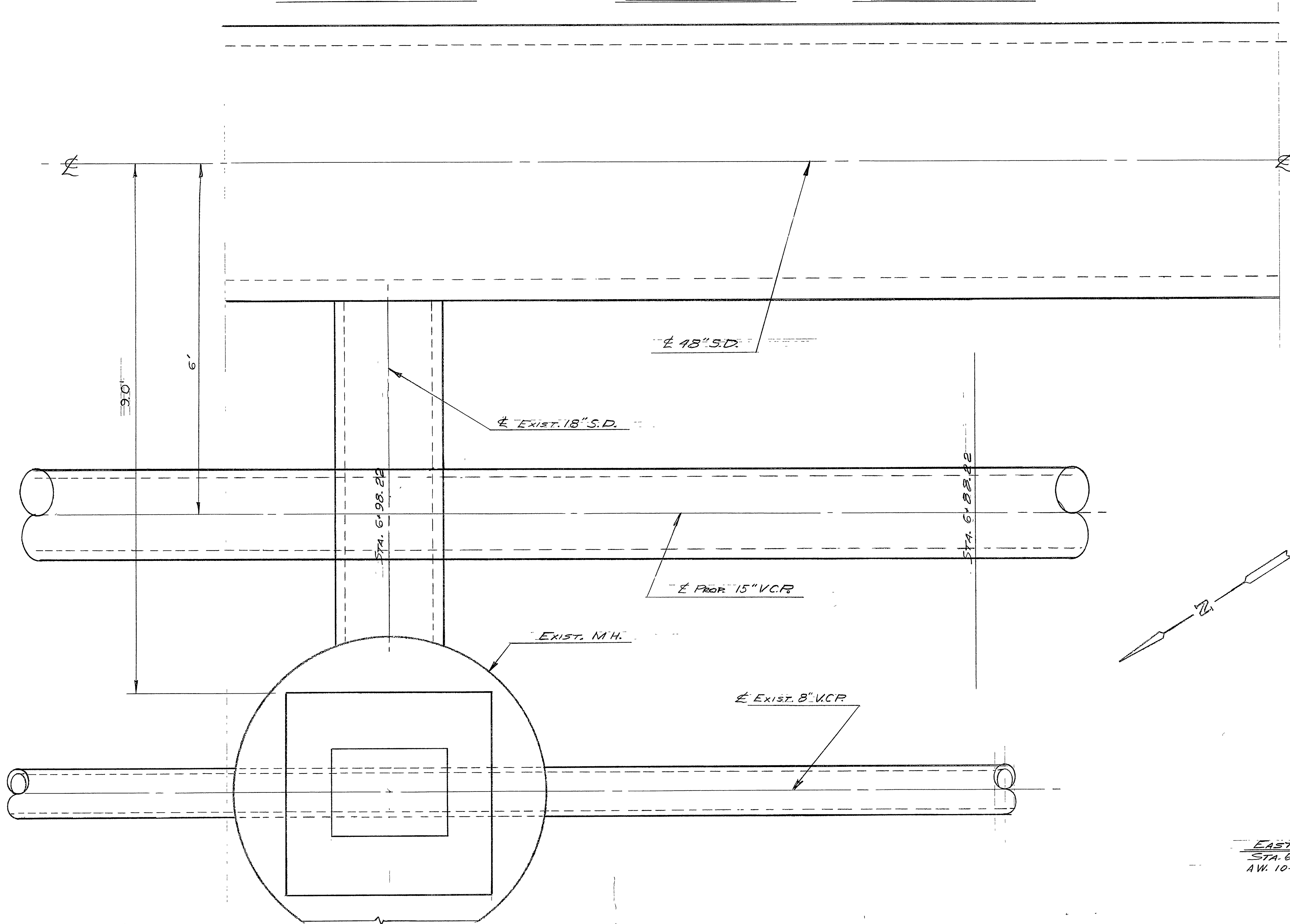
STA. 6+80±

EAST SIDE TRUNK SEWER  
 STA. 6+80±  
 A.W. 10-9-63  
 SCALE 1"=1'      S-398

S A L T

L A K E

A V E.



EAST SIDE TRUNK RELIEF SW  
STA. 6+88.22 TO 6+98.22  
AW. 10-7-63 SCALE: 1" = 1'