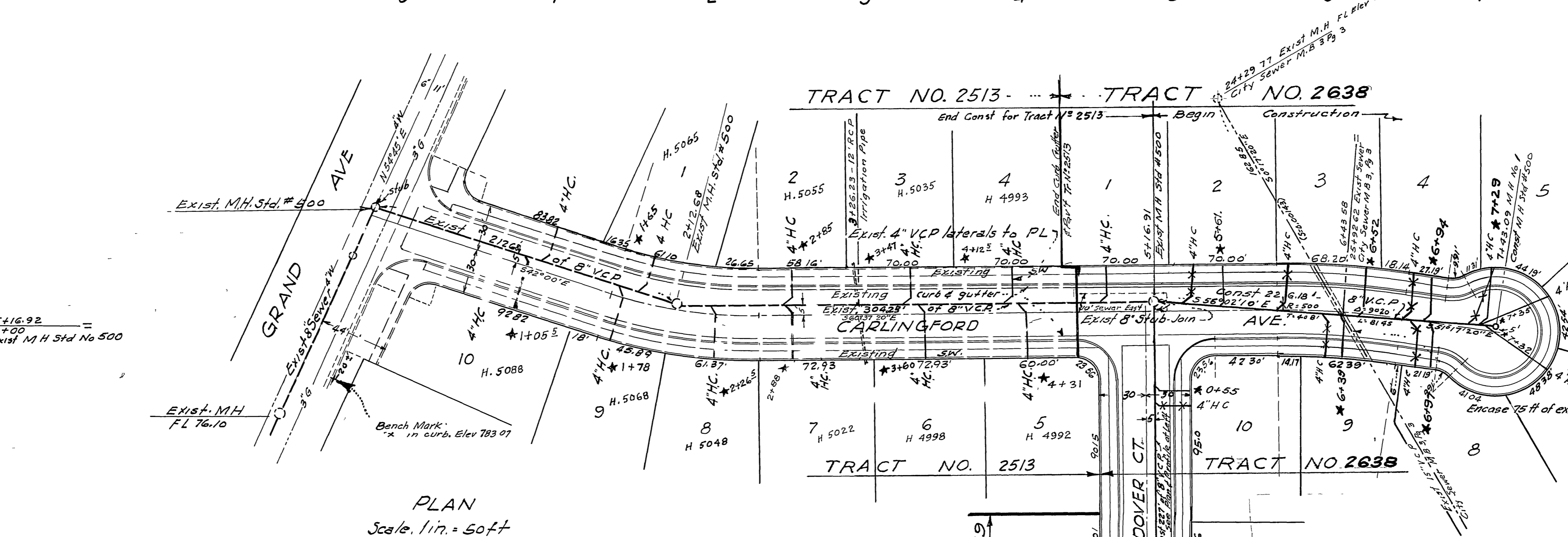
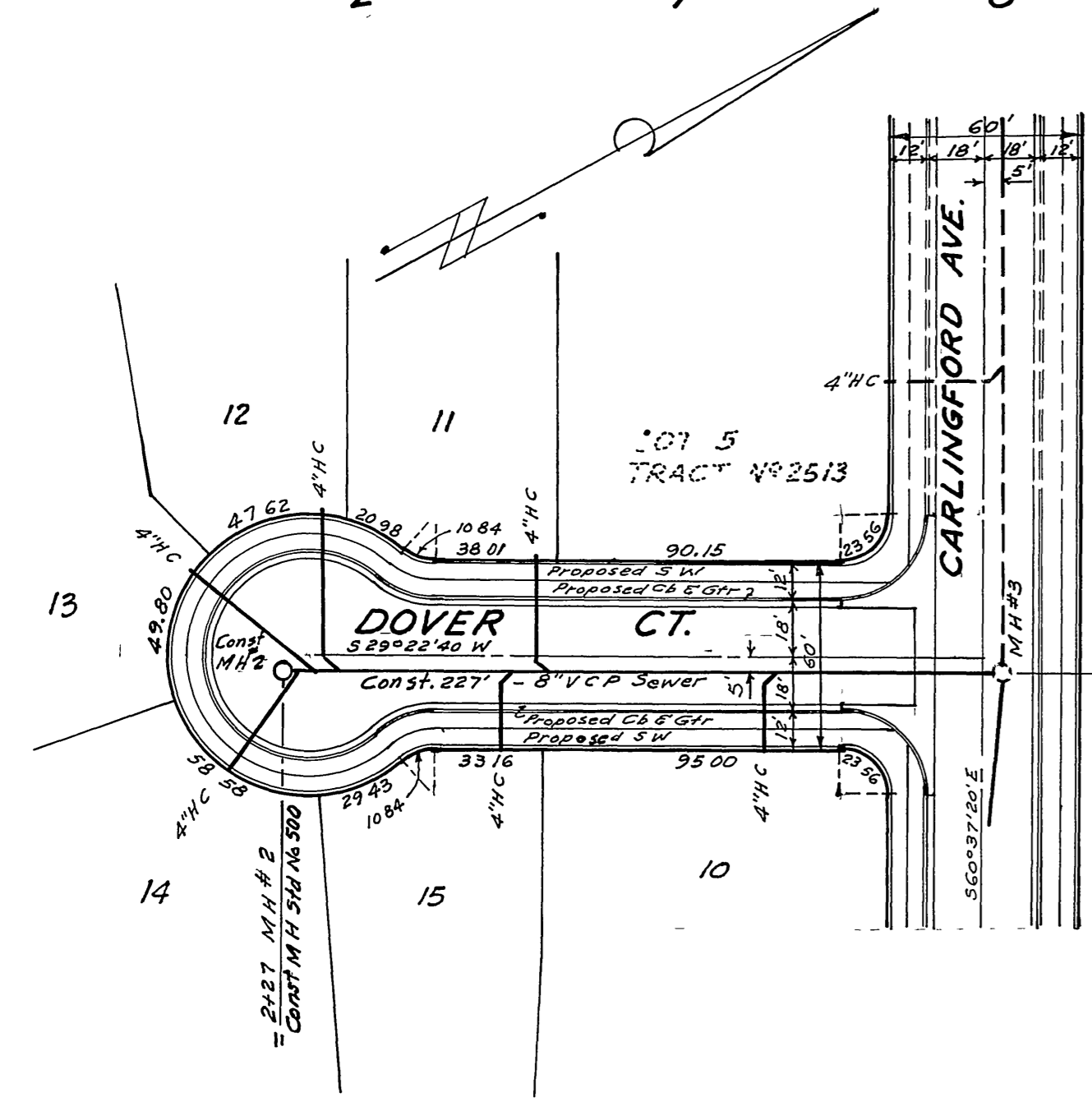


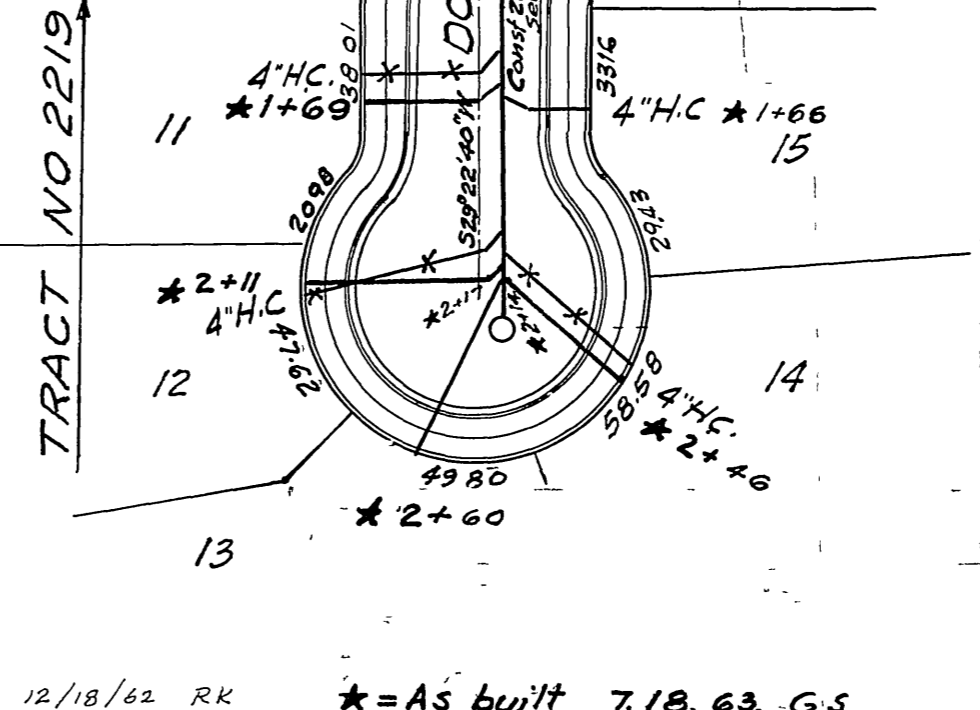
PROFILE SHEET NO.	37
DATE	12/10/62
BY	W.C.
CHECKED	
APPROVED	



PLAN
Scale 1 in. = 50 ft

6. Pipe shall be bedded Case II - Std. Dwg. No. 452
 7. It shall be the responsibility of the contractor to clear the Right of way in accordance with the provisions of law as it affects each utility including irrigation lines and appurtenances, and of no extra cost to the City of Riverside

- NOTES.
- All M.H. covers to be set flush with pavement after pavement has been installed
 - 4" House connections to be located in the field
 - All construction to be in conformance with Standard Specifications No. 461, City of Riverside
 - Bench mark is + cut in south curb of GRAND AVE, distant 107' westerly of center line intersection of CARLINGSFORD AVE. Elevation 783.07
 - Where sewer trench passes under curb, gutter or sidewalk, trench shall be backfilled and tamped to 90% of rel. compaction. The contractor is required to take due precautionary measures to protect the utilities or structures shown and any other utilities or structures of the site if shall be the contractor's responsibility to notify the owners of the utilities or structures concerned before starting work.



McKEE & CRAWLEY
 SURVEYORS AND ENGINEERS
 Riverside, California

George J. Crawley, R.E.I.C. No. 731-61

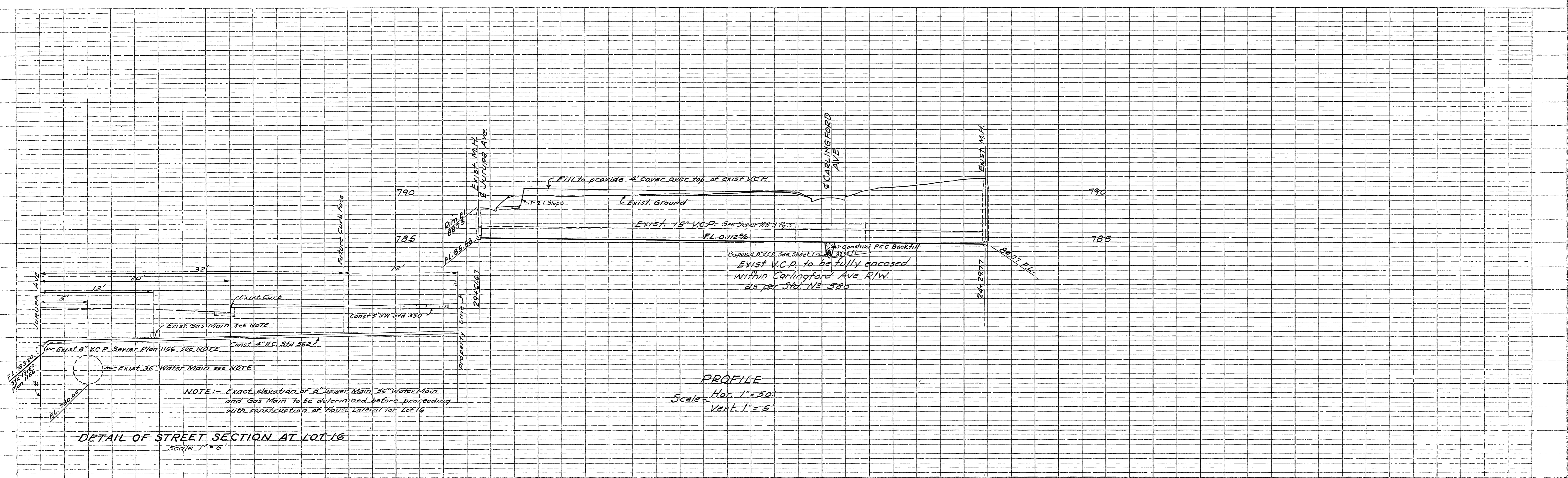
CITY OF RIVERSIDE CALIFORNIA
 DEPARTMENT OF PUBLIC WORKS

TRACT NO. 2638
 SEWER PLANS & PROFILES
 CARLINGSFORD AVE &
 DOVER CT.

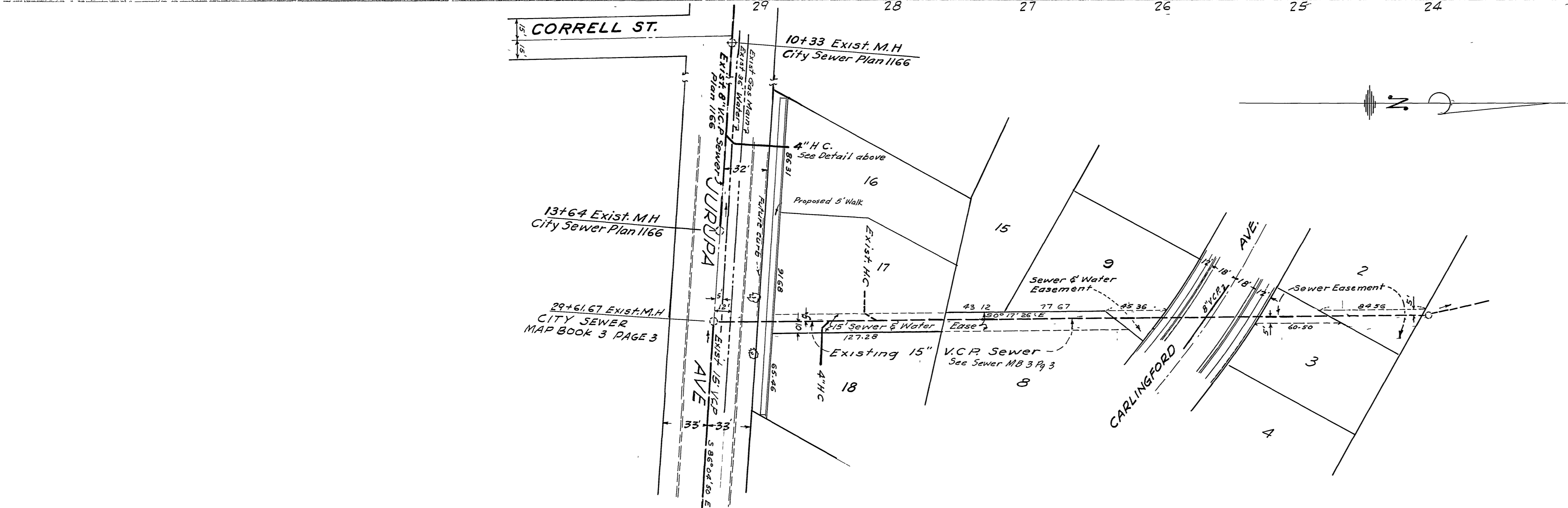
APPROVED BY: [Signature]
 DATE: March 4, 1963

S-406

DATE	12/10/62
BY	W.C.
CHECKED	
APPROVED	



PROFILE
 Scale - Hor. 1" = 50'
 Vert. 1" = 5'



PLAN
 Scale ~ 1" = 50'

Note Bench Mark 15 + cut in south curb of GRAND AVE, Distant 107 ± westerly of the center line intersection of Carlingsford Ave.

MPKEE & CRAWLEY
 SURVEYORS AND ENGINEERS
 Riverside California
 George O. Crawley
 10/20/61

CITY OF RIVERSIDE CALIFORNIA DEPARTMENT OF PUBLIC WORKS	
TRACT NO. 2638 SEWER PLAN & PROFILE CARLINGFORD AVE. TO JURUPA AVE.	S-406
DESCRIPTION Feb 28-65 Changed Plan Number from S-302 to S-406 April 17-69 Changed Tr. No. from 2219 to 2638	APPROVED BY DIRECTOR OF PUBLIC WORKS DATE: Nov. 14, 1961
CHECKED BY DRB wds	ASSISTANT CITY ENGINEER

PROJECT INFORMATION

PROJECT NO.	DATE
NO. 5110	11/1/61
PROJECT NAME	DATE
RIVERSIDE DISTRICT	

REVISIONS

NO.	DATE	DESCRIPTION
1		
2		