

GENERAL NOTES

- 1 Construction shall be in accordance with the City of Riverside, Department of Public Works Specifications No 461 and Standard Drawings
- 2 Location of Wyes and Laterals to be determined in the field
- 3 Contractor shall keep an accurate record of the stationing of all house laterals & wyes for the City of Riverside Public Works Dept. and shall mark the curbs at all laterals
- 4 Pipe shall be bedded Case II, Standard Drawing No 452
- 5 Wedge-Lok, Speed Seal or equal, conforming to requirements of A STM C-425-60T, pipe shall be used throughout construction.
- 6 Portions of sewer that can not be visually inspected shall be balled.

QUANTITY ESTIMATE

	Present Const	Future Const
8" Vitrified Clay Pipe	1,930 LF	924 LF
4" Vitrified Clay Pipe	916 LF	—
8" X4" Wyes	27 Ea	—
Manhole - Std No 500	8 Ea	3 Ea
Cleanout - Std No 560	2 Ea	2 Ea

ALBERT A. WEBB ASSOCIATES
 CIVIL ENGINEERS - RIVERSIDE, CALIFORNIA
 APPROVED *[Signature]* DATE 9/2/63
 P.E. 9876

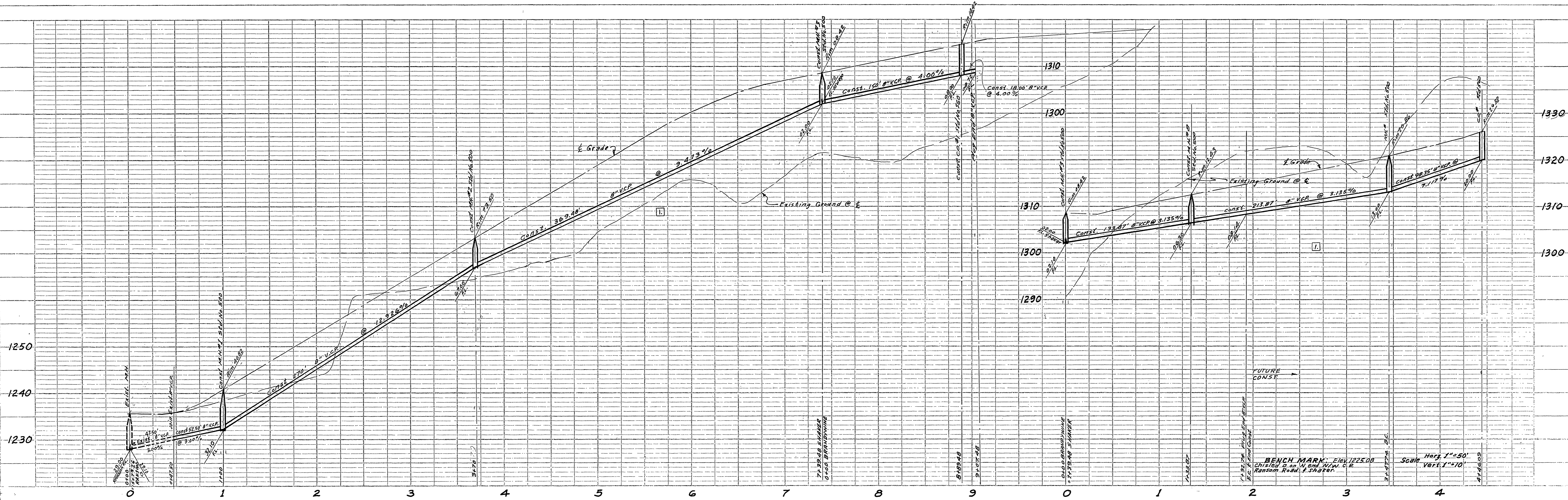
CITY OF RIVERSIDE, CALIFORNIA
 DEPARTMENT OF PUBLIC WORKS

INDEX MAP
SEWER PLAN & PROFILE
TRACT NO. 2591

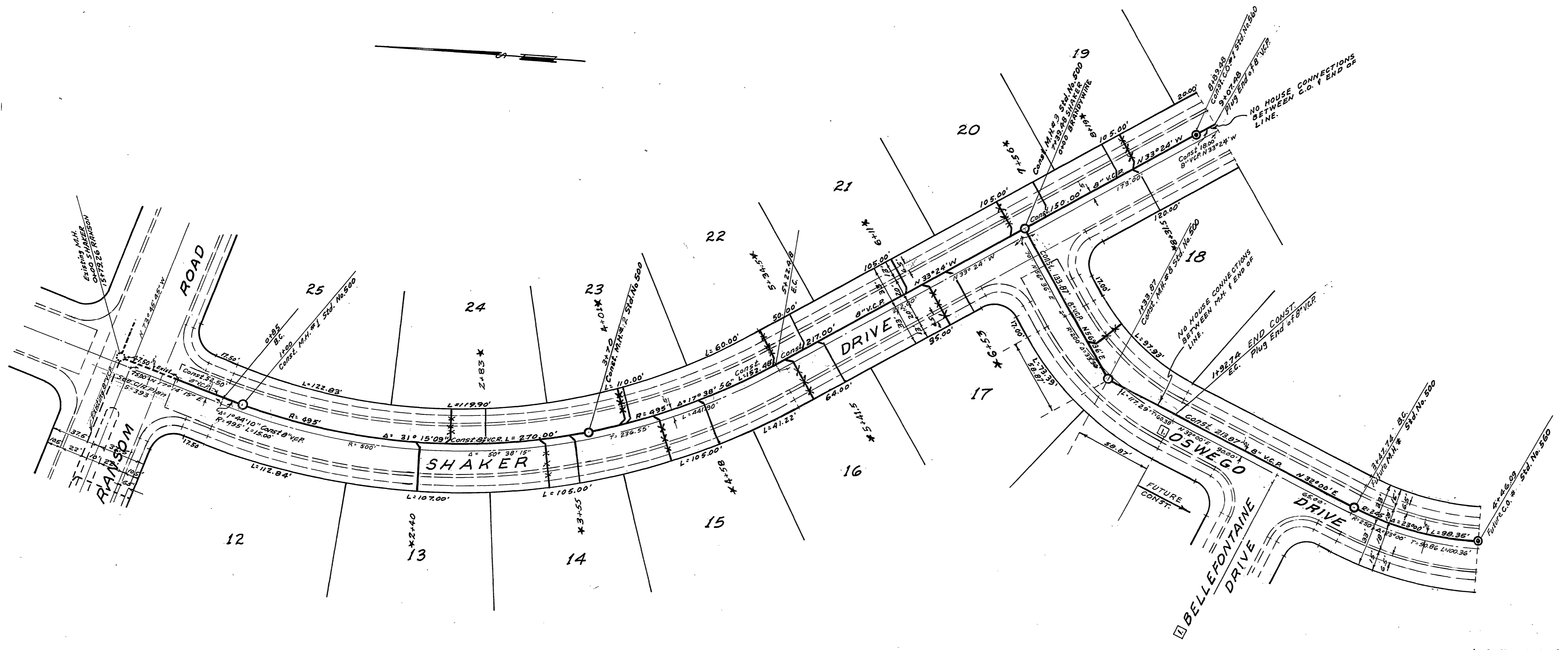
REVISION		
MARK	DATE	DESCRIPTION
①	9/24/63	Added one wye & one lateral.
②	11/26/63	Street Name Changed & Added M.H. ENW Run Under Dr. <i>[Signature]</i>

APPROVED BY *[Signature]*
 DIRECTOR OF PUBLIC WORKS
 DATE 9-25-63

SCALE 1" = 100'
 DRAWN B.E.L. W.O. 63-2
 CHECKED *[Signature]* F.B. 498
 NO. S-439
 SHEET 1 OF 4



DATE	NO.	REVISION



MARK	DATE	DESCRIPTION
1	1/25/63	sewer plan for Shaker Dr. proposed on 1st and 2nd floors changed. ENW Ron wdg

ALBERT A. WEBB ASSOCIATES
CIVIL ENGINEERS - RIVERSIDE, CALIFORNIA
APPROVED *Albert A. Webb* DATE 2/9/63
R.E. 9876

CITY OF RIVERSIDE, CALIFORNIA
DEPARTMENT OF PUBLIC WORKS

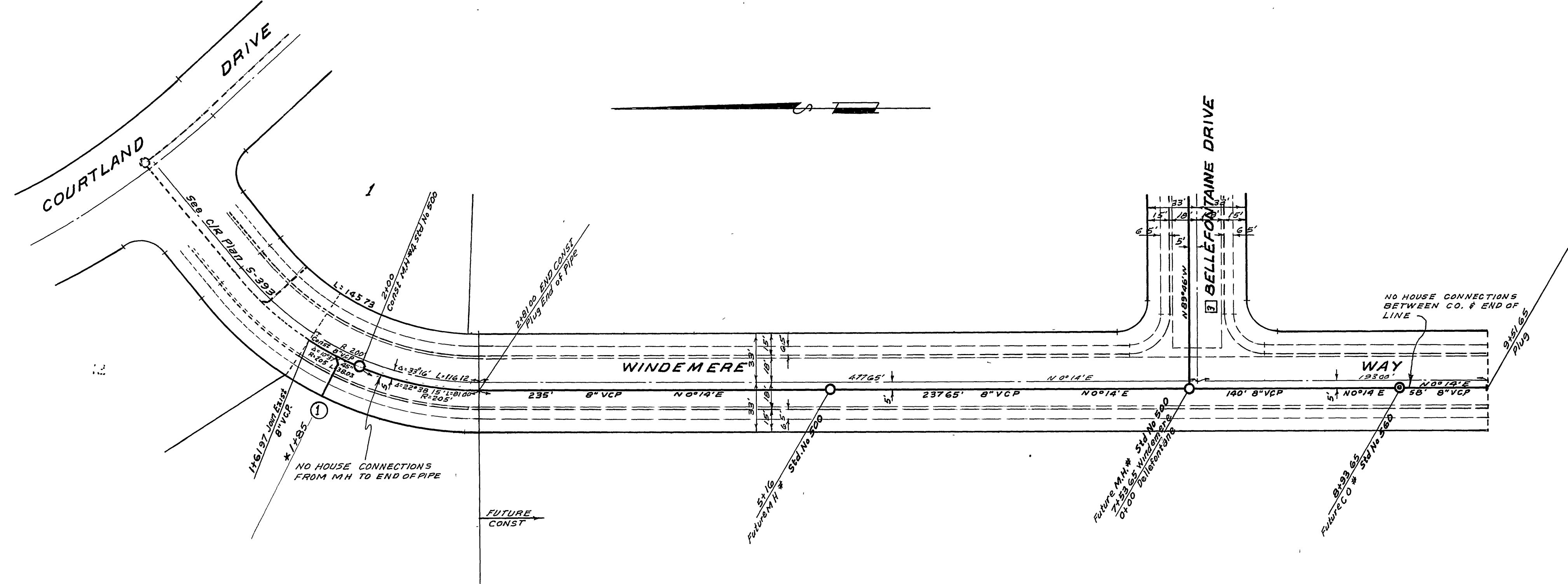
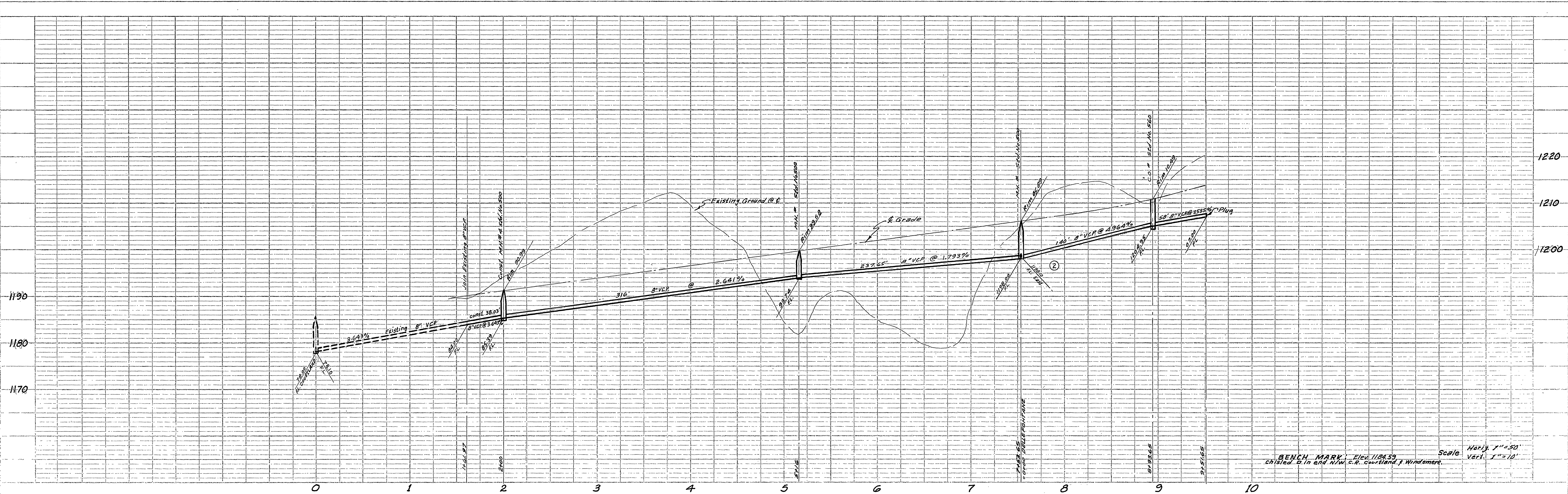
SEWER PLAN & PROFILE
SHAKER DRIVE
BRANDYWINE DRIVE
TRACT No. 2591

DATE	July, 1963	SCALE	1" = 50'
DRAWN	BEL.	W.D.	63-2
CHECKED	Ron Wdg	P.E.	498

APPROVED BY *Marked*
DIRECTOR OF PUBLIC WORKS
DATE 9-25-63

NO. **S-439**
SHEET 2 OF 4

As Built 5-1-64 BE



MARK	DATE	DESCRIPTION
①	9/30/63	Added lateral
②	10/23/63	Lowered M.H. #1 2 feet
③	11/23/63	Street name changed ENW Ren Wdg

ALBERT A. WEBB ASSOCIATES
 CIVIL ENGINEERS - RIVERSIDE, CALIFORNIA
 APPROVED: *Robert H. Webb* DATE: 9/9/63

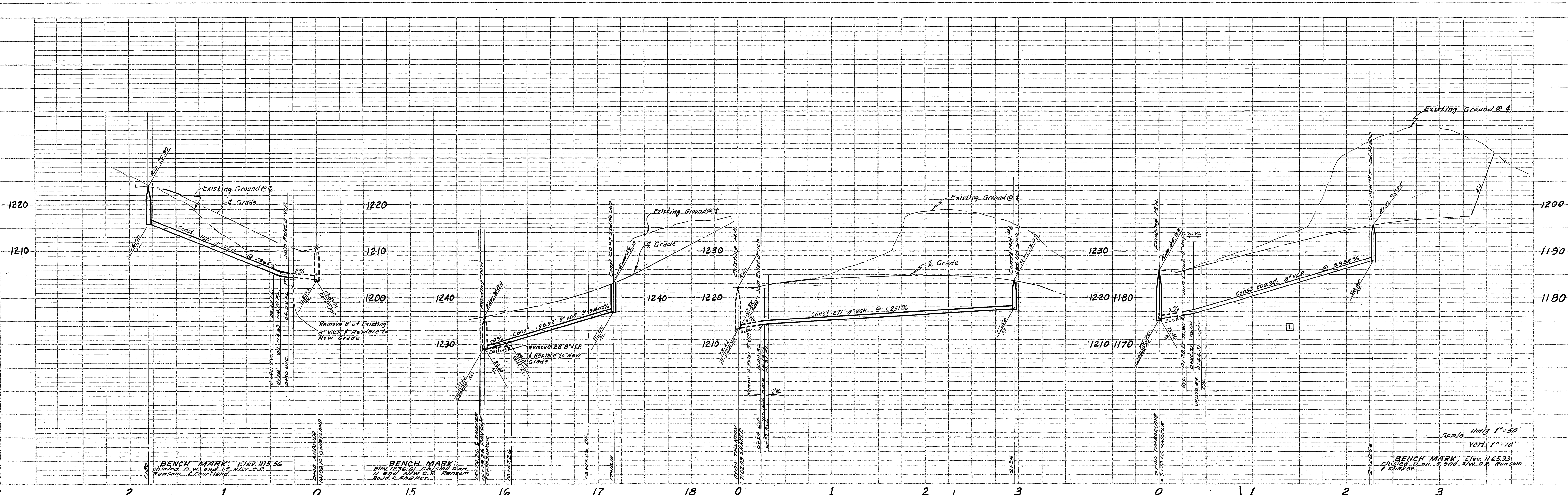
CITY OF RIVERSIDE, CALIFORNIA
 DEPARTMENT OF PUBLIC WORKS

SEWER PLAN & PROFILE
WINDEMERE WAY
TRACT No. 2591

DATE: July, 1963 SCALE: 1" = 50'
 DRAWN: B.E.L. W.D. 63-2
 CHECKED: *Tom* E.B. 498

APPROVED BY: *Albert A. Webb*
 DIRECTOR OF PUBLIC WORKS
 NO. S-439
 DATE: 9-25-63 SHEET 3 OF 4

As Built 5-4-64 BE.

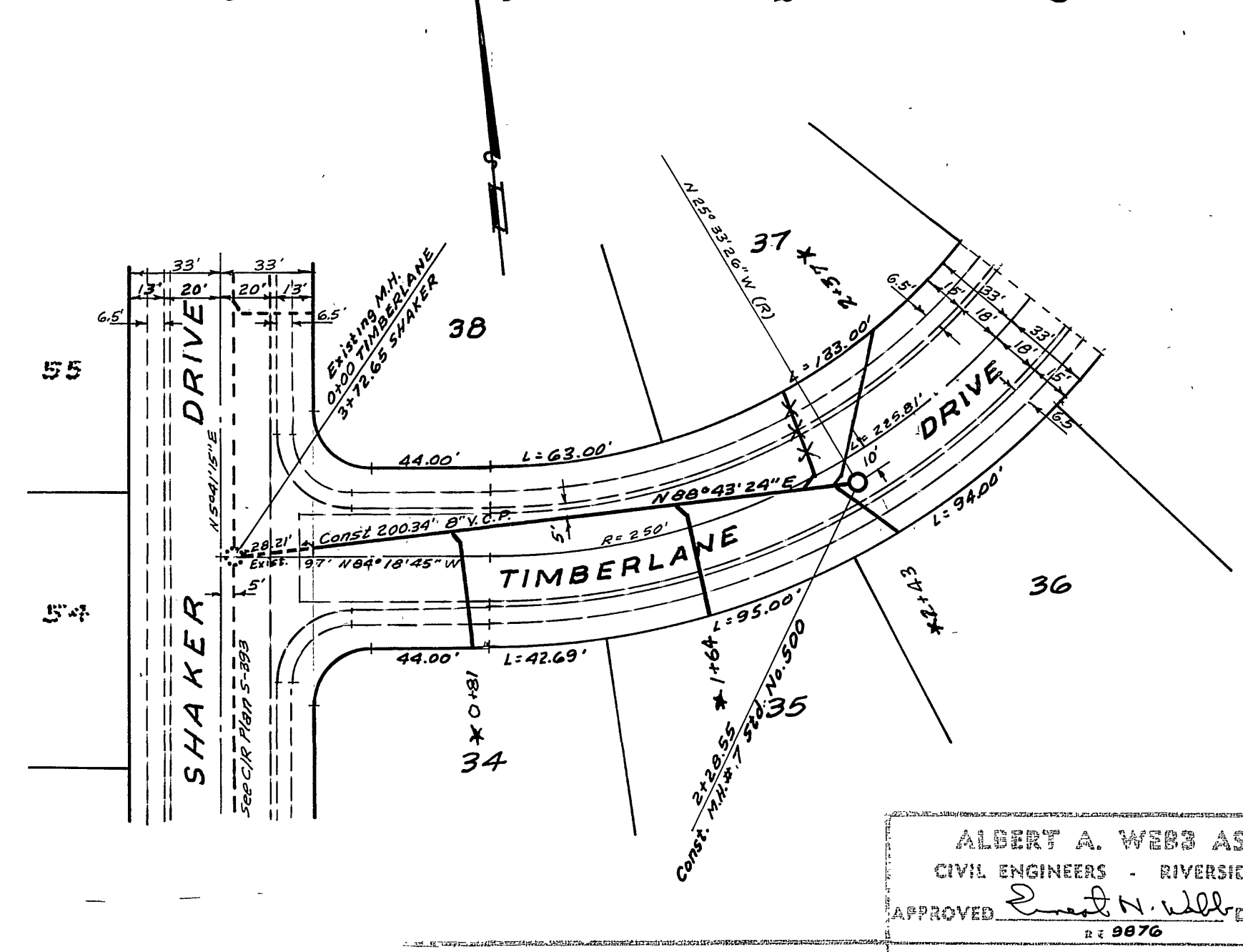
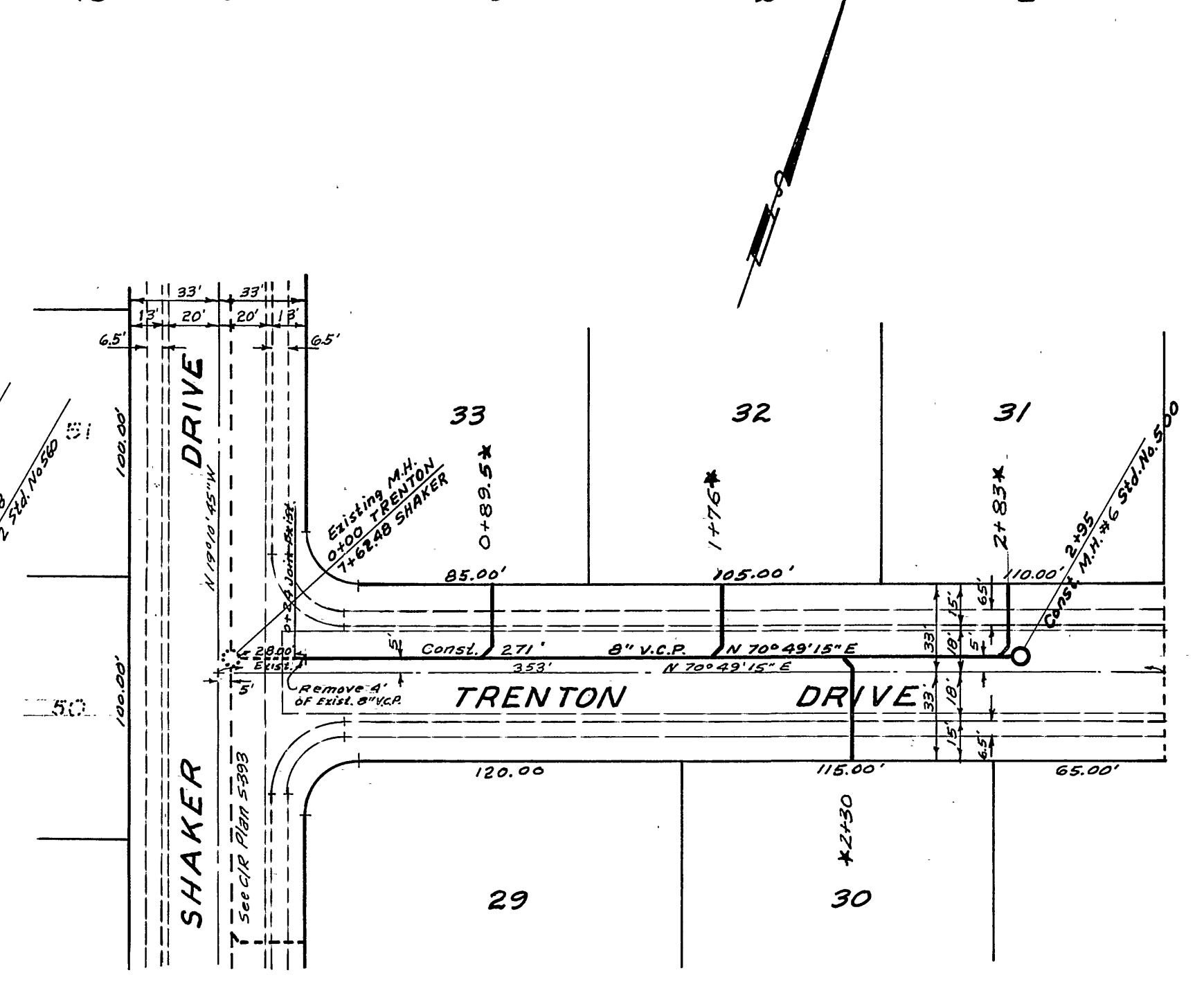
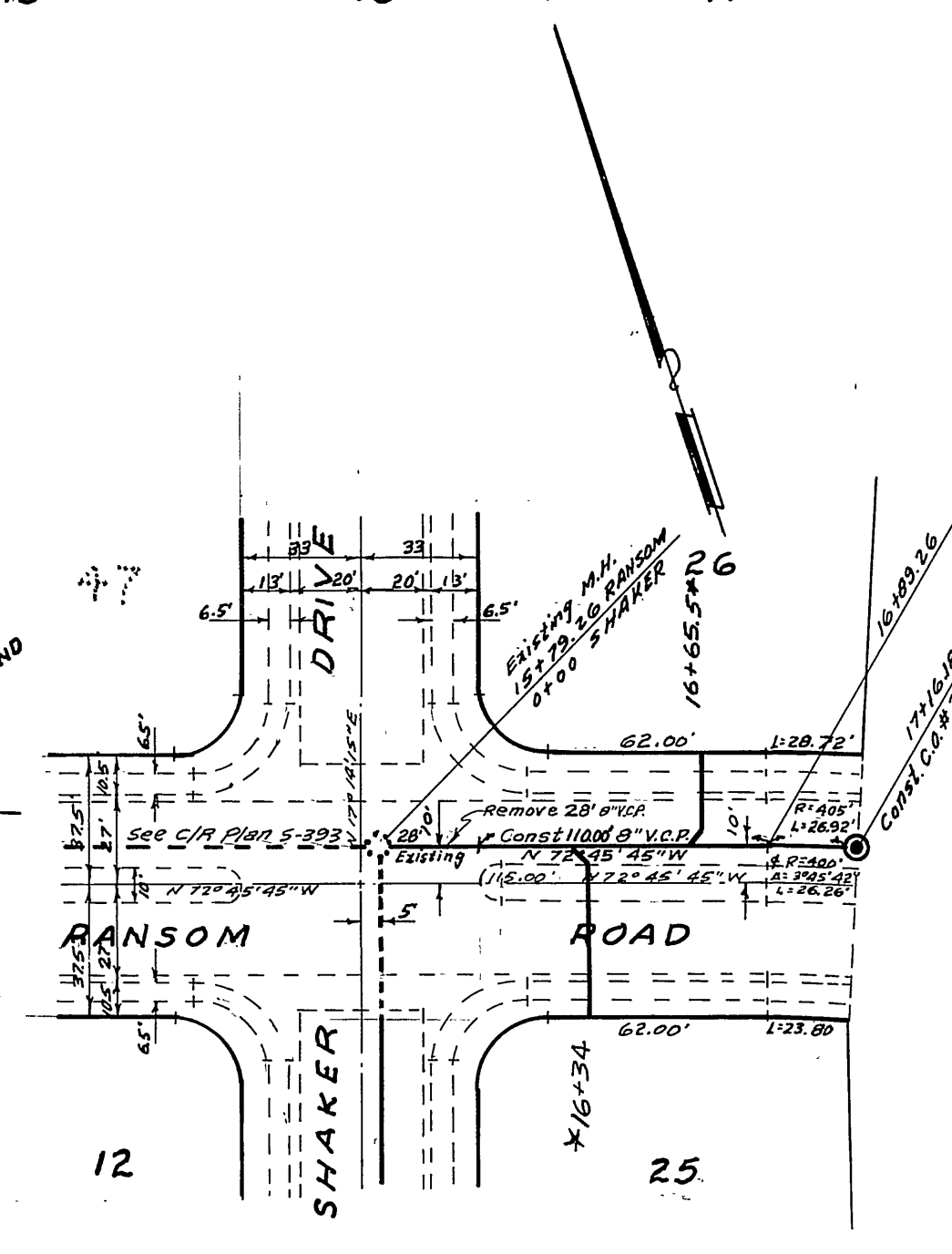
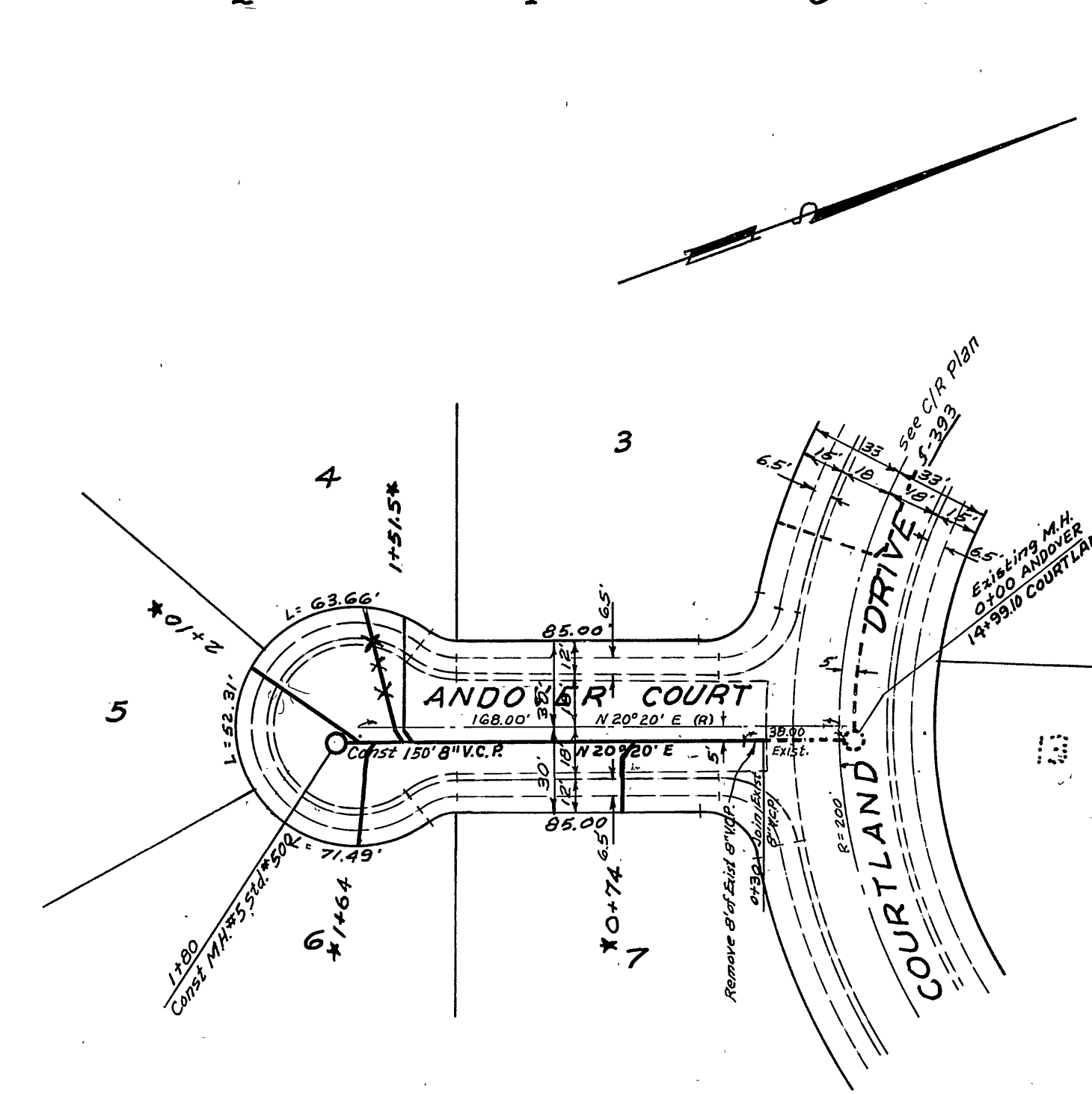


BENCH MARK Elev. 115.56
Christof D.W. end of NW 1/4 Ransom & Courtland

BENCH MARK Elev. 120.61
Christof Dion N.E. 1/4 SW 1/4 Ransom Road & Shaker

BENCH MARK Elev. 1165.33
Christof on S end SW 1/4 Ransom & Shaker

Scale Horiz 1"=50'
Vert 1"=10'



REVISION		DATE	DESCRIPTION
1		7/12/63	Revised Grades on Timberlane ENW Rans Road

ALBERT A. WEBB ASSOCIATES
CIVIL ENGINEERS - RIVERSIDE, CALIFORNIA
APPROVED: *[Signature]* DATE 7/9/63
R 8076

CITY OF RIVERSIDE, CALIFORNIA
DEPARTMENT OF PUBLIC WORKS

SEWER PLAN & PROFILE
ANDOVER CT.
TRENTON DR, TIMBERLANE DR
TRACT No. 2591

DATE July 1963 SCALE 1"=50'
DRAWN BEL. W.D. 63-2
CHECKED [Signature] P.B. 498

APPROVED BY: *[Signature]*
DIRECTOR OF PUBLIC WORKS

NO. S-439
DATE 7-25-63 SHEET 4 OF 4

As built 5/1/64 BE.