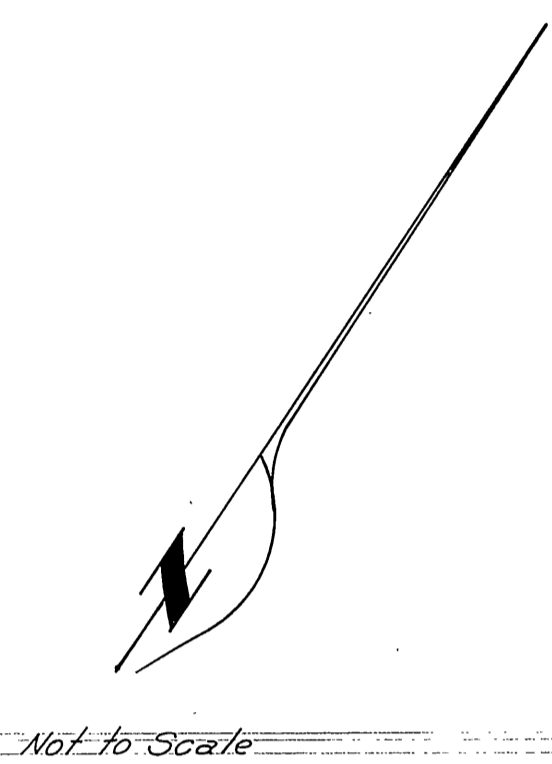


**GENERAL NOTES**

1. Construction shall be in accordance with the City of Riverside, Department of Public Works Specifications No 461 and Standard Drawings.
2. Location of Wyes and Laterals to be determined in the field.
3. Contractor shall keep an accurate record of the stationing of all house laterals & wyes for the City of Riverside Public Works Dept. and shall mark the curbs at all laterals.
4. Pipe shall be bedded Case II, Standard Drawing No 452.
5. Joints in vitrified clay pipe sewer shall conform to ASTM Standard C-425-60-T, or the latest revision thereto.
6. Temporary covers to be placed on manholes along California Ave as noted on plans. Final frames and covers to be set after resurfacing of California Ave is completed by the City of Riverside.



Not to Scale

**BENCH MARK**

Elevation 729.74. Nail and Lead in center of curb return at S.E. corner of California and Jackson.

**NOTICE TO CONTRACTOR**

The existence and location of any underground utility pipes or structures shown on these plans are obtained by a search of the available records. To the best of our knowledge there are no existing utilities except as shown on these plans. The Contractor is required to take due precautionary measures to protect the utility lines shown and any other lines not of record or not shown on these plans.

**QUANTITY ESTIMATE**

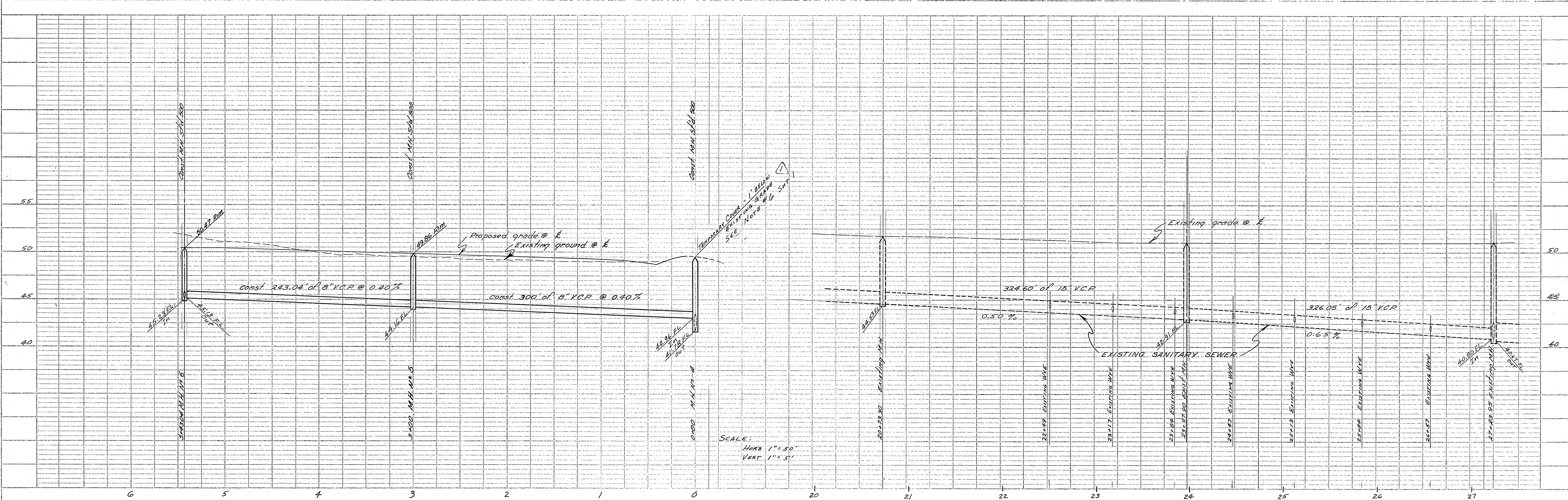
8" VITRIFIED CLAY PIPE	2,926	L.F.
4" VITRIFIED CLAY PIPE	2,290	L.F.
4" x 8" WYES	61	EA
MANHOLES, STD 500	13	EA
CLEAN OUTS, STD 560	4	EA
2 1/2" AC PAVING	401	S.F.
8" ENCASEMENT, STD 580	838	L.F.

ALBERT A. WEBB ASSOCIATES  
CIVIL ENGINEERS RIVERSIDE, CALIFORNIA  
APPROVED: *[Signature]* DATE 10/14/63

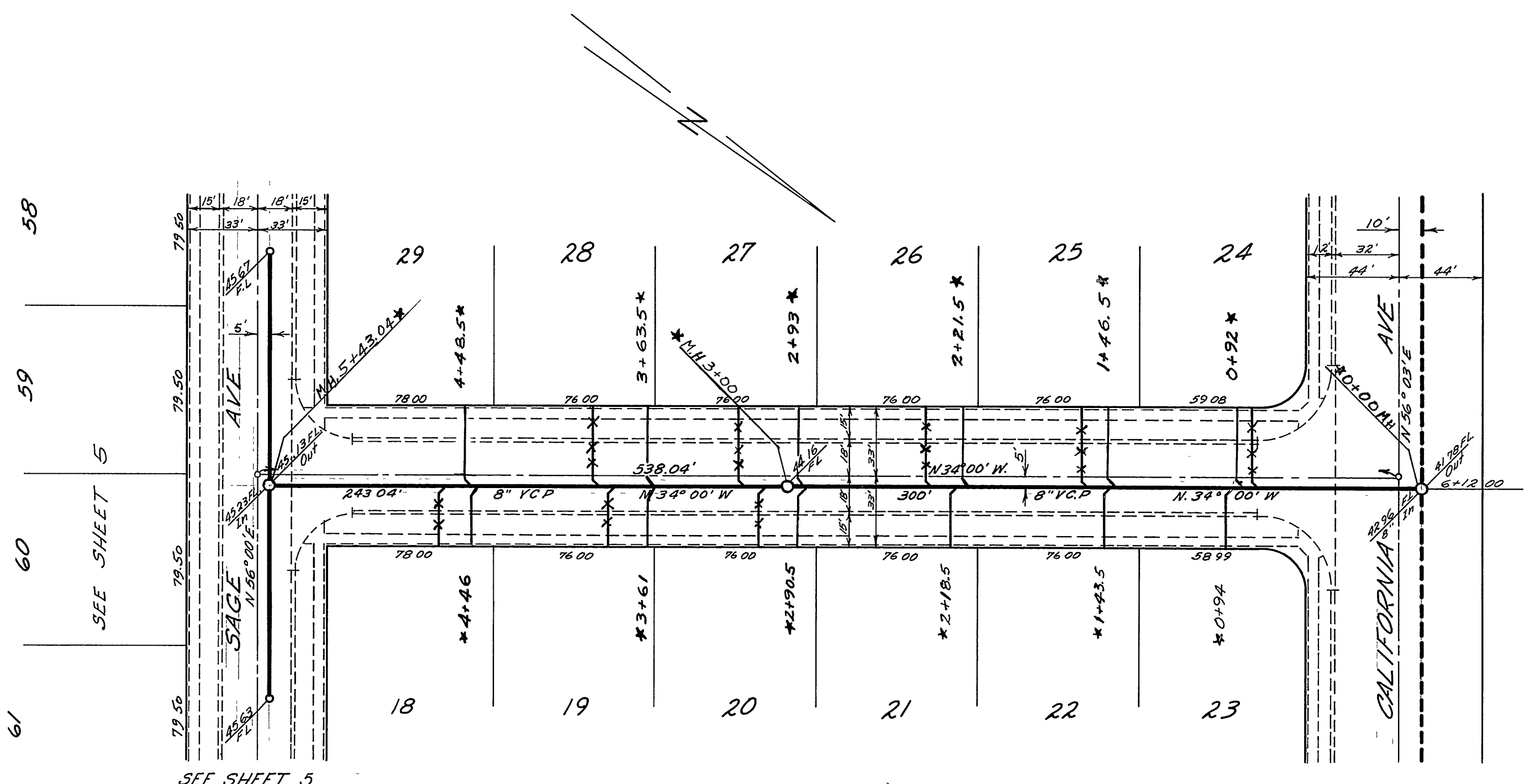
MARK	DATE	DESCRIPTION	REVISIONS OF RIVERSIDE, CALIFORNIA BY DEPARTMENT OF PUBLIC WORKS
②	1-15-64	REV QUANTITY ESTIMATE ENW	
①	12-5-63	REV QUANTITY ESTIMATE ENW	

**INDEX MAP**  
of  
**SEWER IMPROVEMENTS**  
for  
**TRACT No 2481**

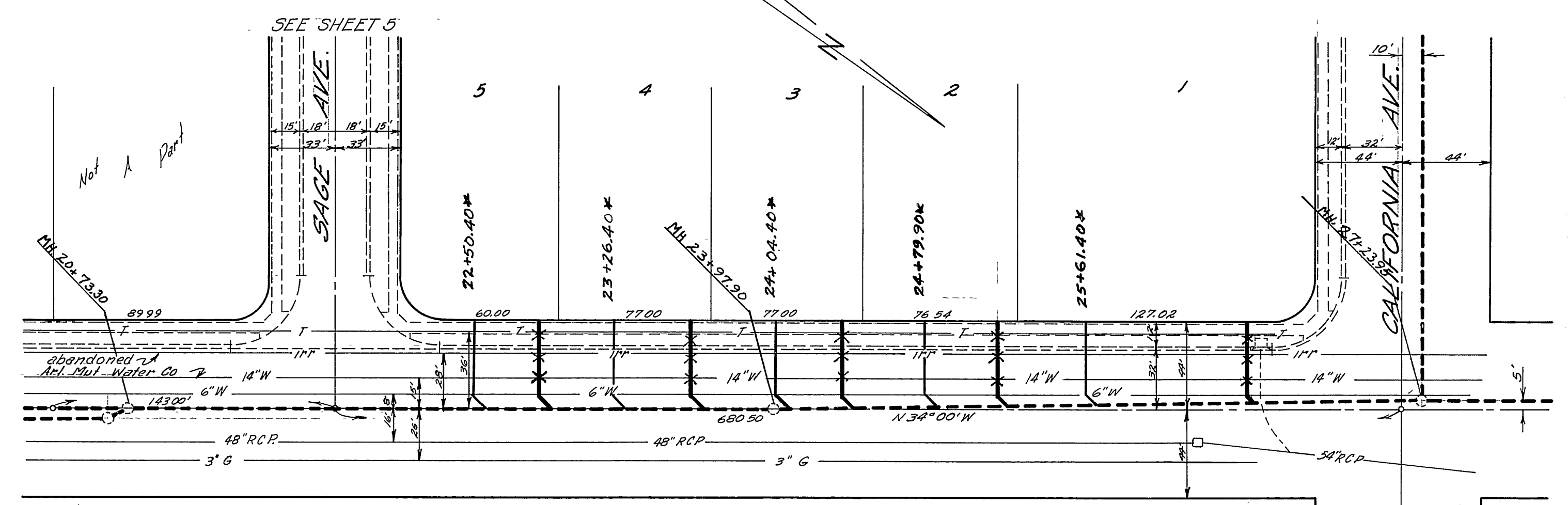
APPROVED BY: *[Signature]* ALBERT A. WEBB ASSOCIATES SHEET  
DRAWN: E.W.L. TRACED: 62-186 NO. **S-444**  
CHECKED: Ron W. DATE 12-3-63 RIVERSIDE CALIFORNIA SHEET 1 OF 5  
Drwg. No 62-186 B



SCALE:  
 HORIZ 1" = 50'  
 VERT 1" = 5'



DONALD AVENUE



JACKSON STREET

PROFILE	DATE
REVISION	
DATE	

PLAN	DATE
REVISION	
DATE	

ALBERT A. WEBB ASSOCIATES  
 CIVIL ENGINEERS - RIVERSIDE, CALIFORNIA  
 APPROVED: *Emil N. Webb* DATE 10/4/63  
 A.E. 9876

CITY OF RIVERSIDE, CALIFORNIA  
 DEPARTMENT OF PUBLIC WORKS

SEWER PLAN & PROFILE  
 DONALD AVENUE  
 JACKSON STREET

TRACT No 2481

REVISION		DATE	DESCRIPTION
Δ	12-6-63	12-6-63	CHANGES MADE BY ENJOY

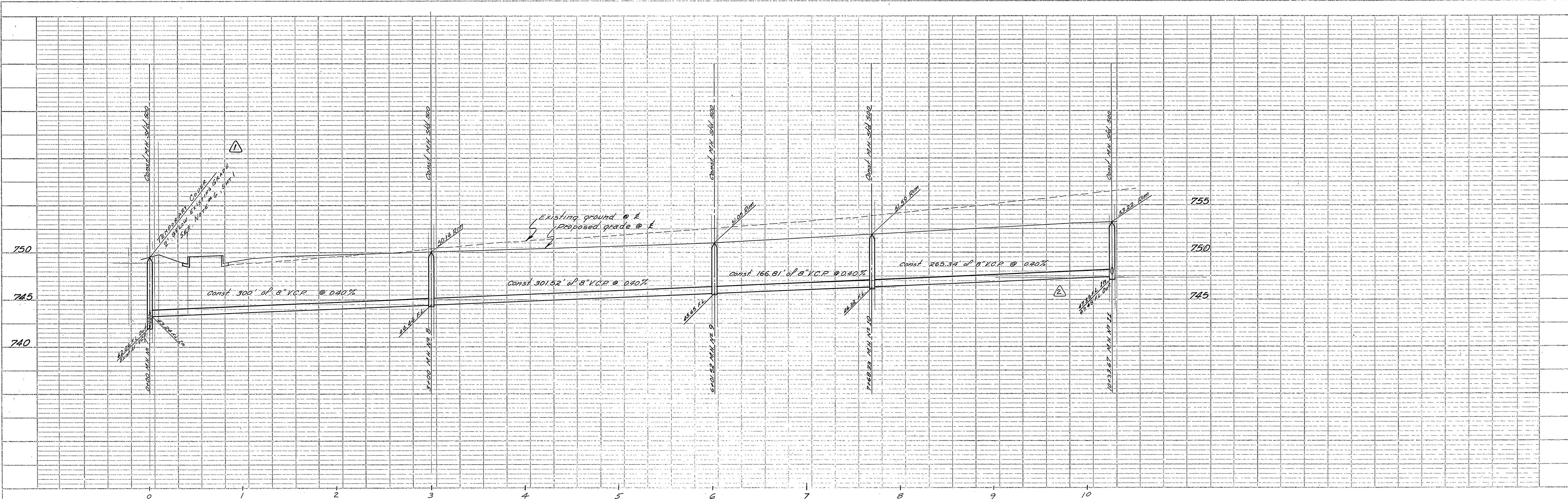
APPROVED BY: *Emil N. Webb*  
 DIRECTOR OF PUBLIC WORKS

NO. S-444

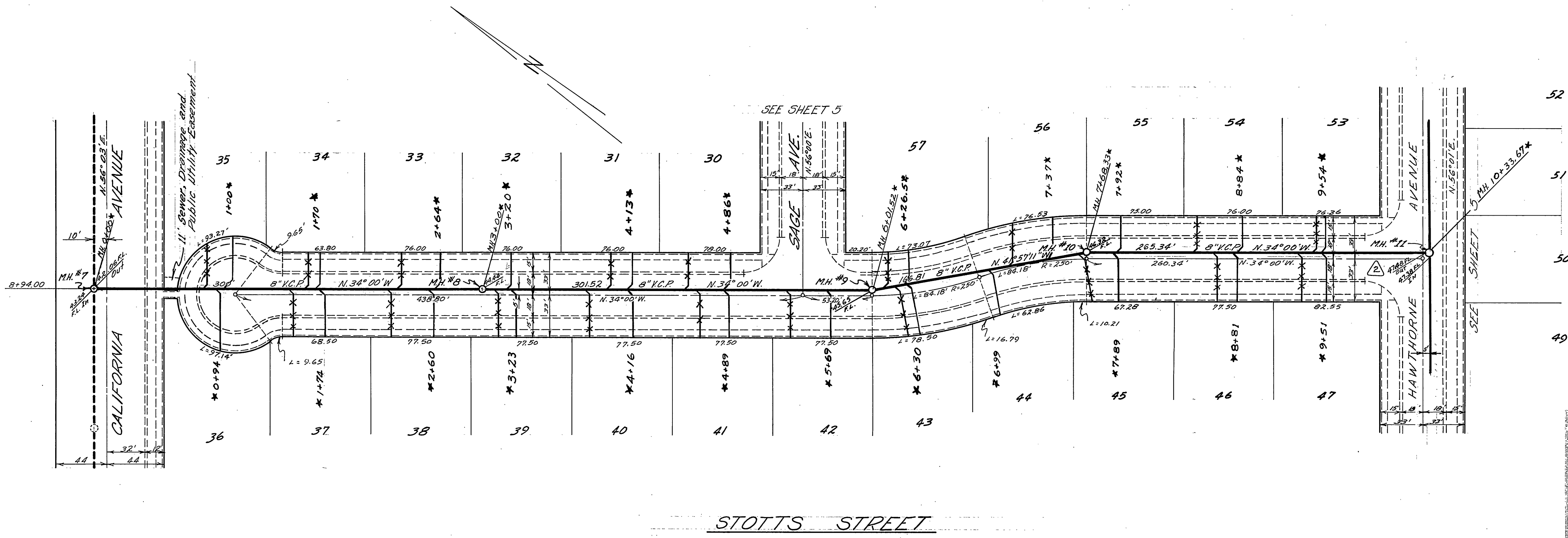
DATE 12-3-63 SHEET 2 OF 5

\* As built 5/4/64 B.E.

DRWG No 62-186 B



PROFILE	SUBMITTED	BY	DATE
NOTE BOOK	PLOTTED		
NO.	CHECKED		
	BY		
	DATE		
	STRUCTURE		
	NO.		
	DATE		



PLAN	SUBMITTED	BY	DATE
NOTE BOOK	PLOTTED		
NO.	CHECKED		
	BY		
	DATE		
	STRUCTURE		
	NO.		
	DATE		

ALBERT A. WEBB ASSOCIATES  
 CIVIL ENGINEERS - RIVERSIDE, CALIFORNIA  
 APPROVED: *Albert A. Webb* DATE 10/2/63  
 P.E. 9876

CITY OF RIVERSIDE, CALIFORNIA  
 DEPARTMENT OF PUBLIC WORKS

SEWER PLAN & PROFILE

**STOTTS STREET**

TRACT NO 2481

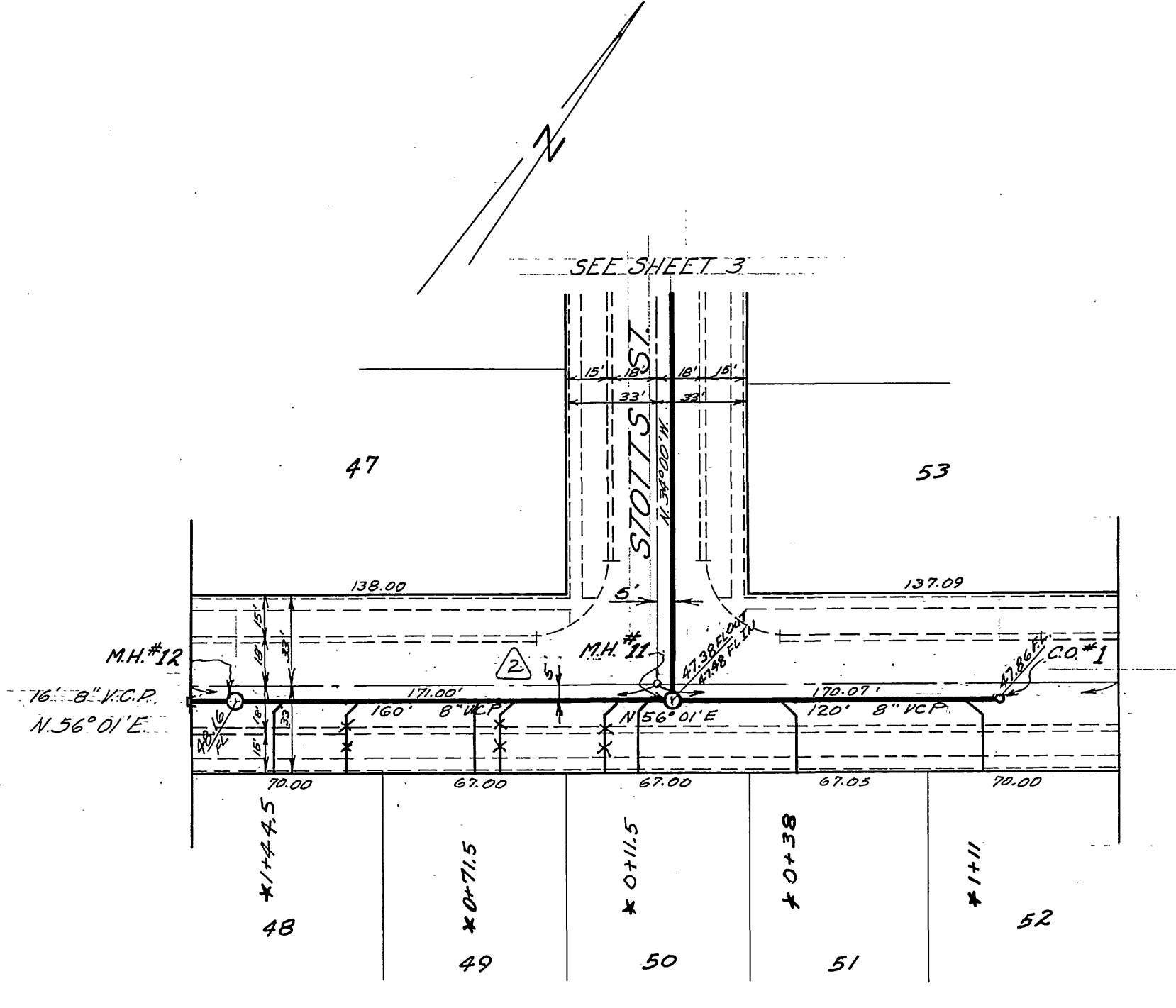
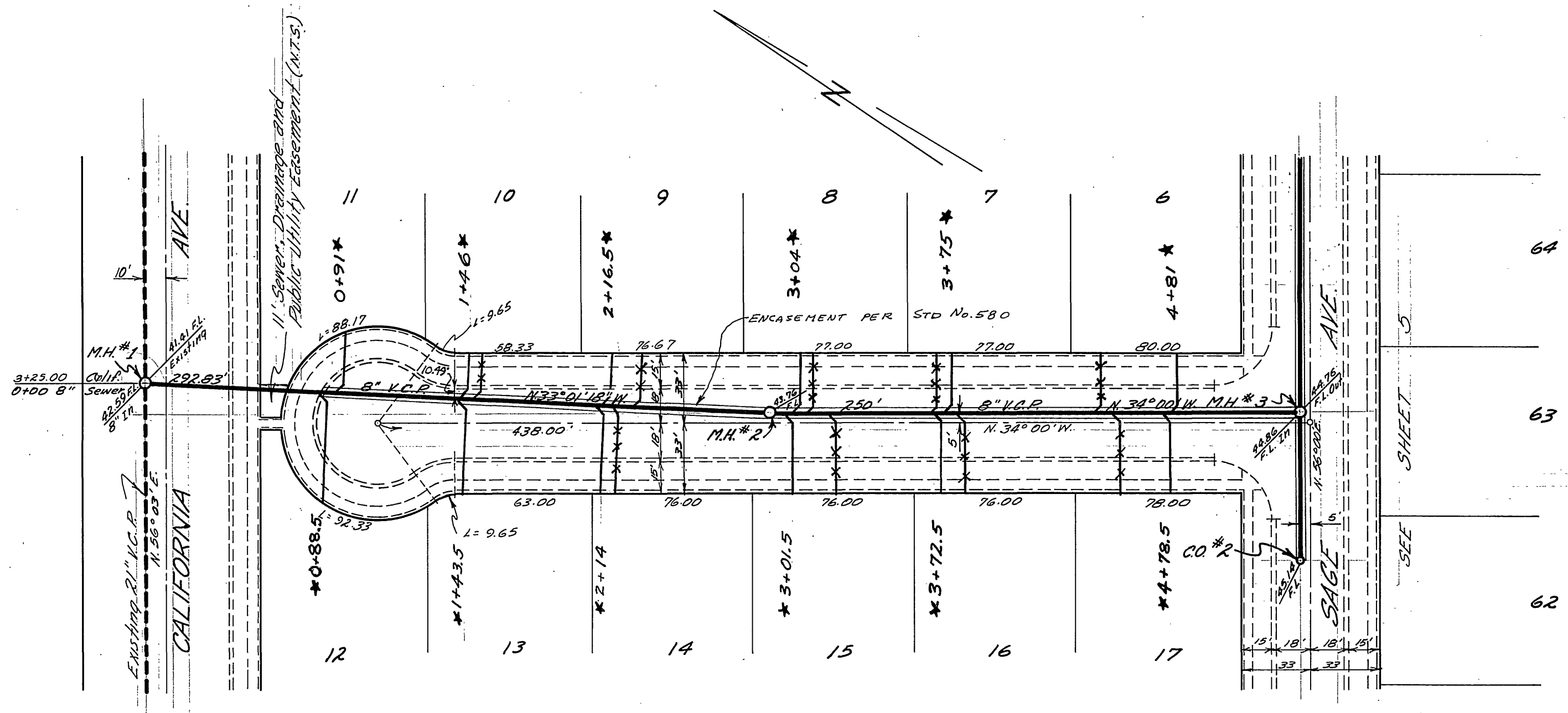
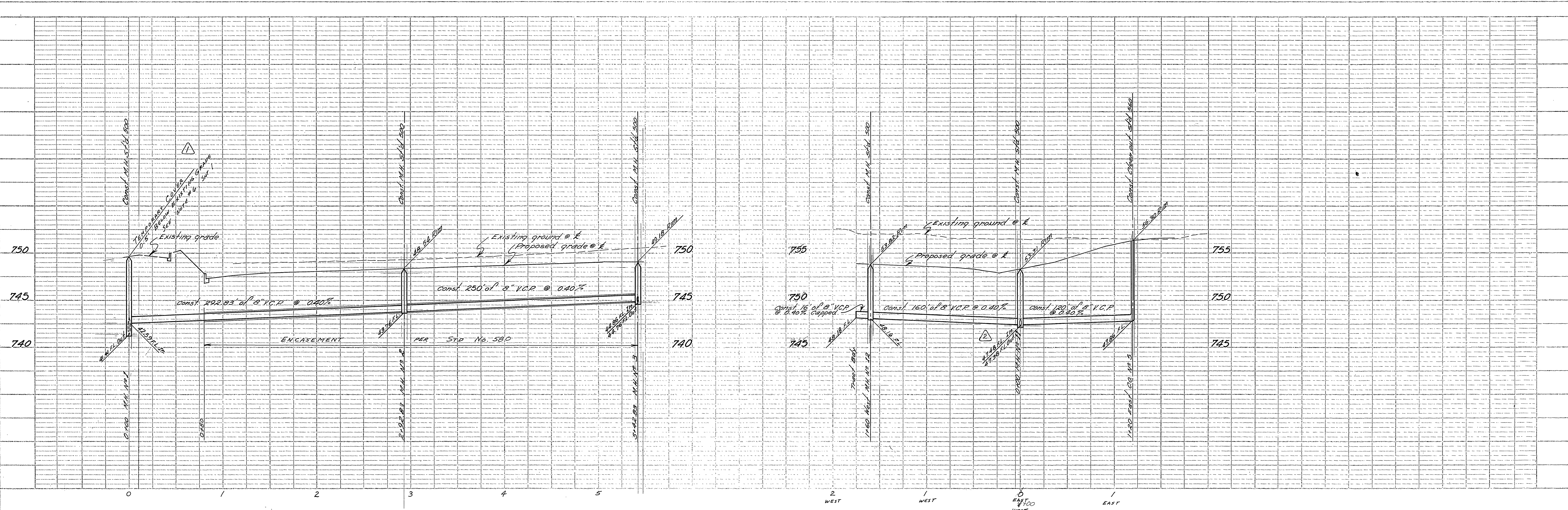
REVISION		DESCRIPTION
△	1-15-64	Move Hawthorne Sewer to 5' S.E. TO MISS WATER ENL. WORK
△	12-6-63	Rev. Curve Changes (M.H. #10, #11, #12)

APPROVED BY: *Albert A. Webb*  
 DIRECTOR OF PUBLIC WORKS  
 DATE 12-3-63  
 SHEET 3 OF 5

NO. S-444

\* As Built 5-4-64 BE

Drawg. No 62-186B



MARK	DATE	DESCRIPTION
△	1-15-64	Move Hawthorne Sewer to 5' S of M.H. #20
△	12-6-63	Change M.H. #18 to 12\"/>

ALBERT A. WEBB ASSOCIATES  
 CIVIL ENGINEERS - RIVERSIDE, CALIFORNIA  
 APPROVED: *Albert A. Webb* DATE 10/4/63  
 CITY OF RIVERSIDE, CALIFORNIA  
 DEPARTMENT OF PUBLIC WORKS  
**SEWER PLAN & PROFILE**  
**LAFAYETTE STREET**  
**HAWTHORNE AVENUE**  
 TRACT NO 2481

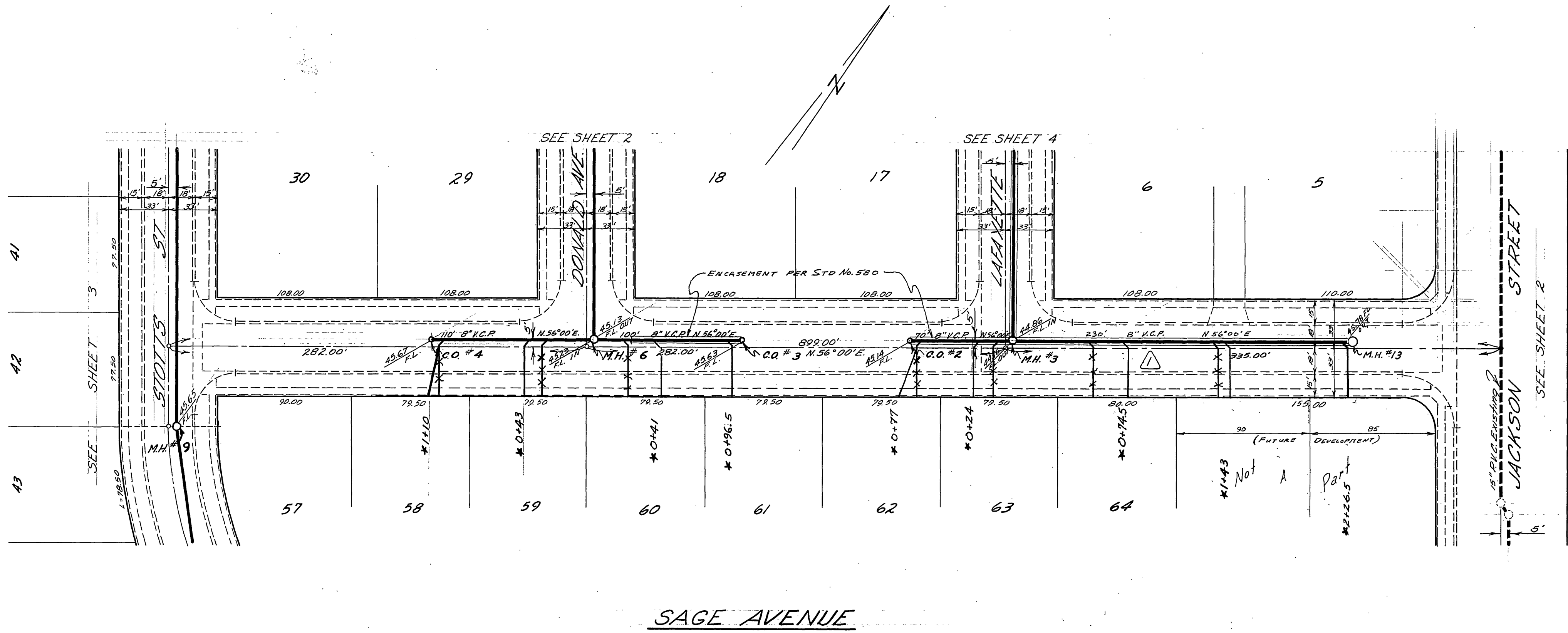
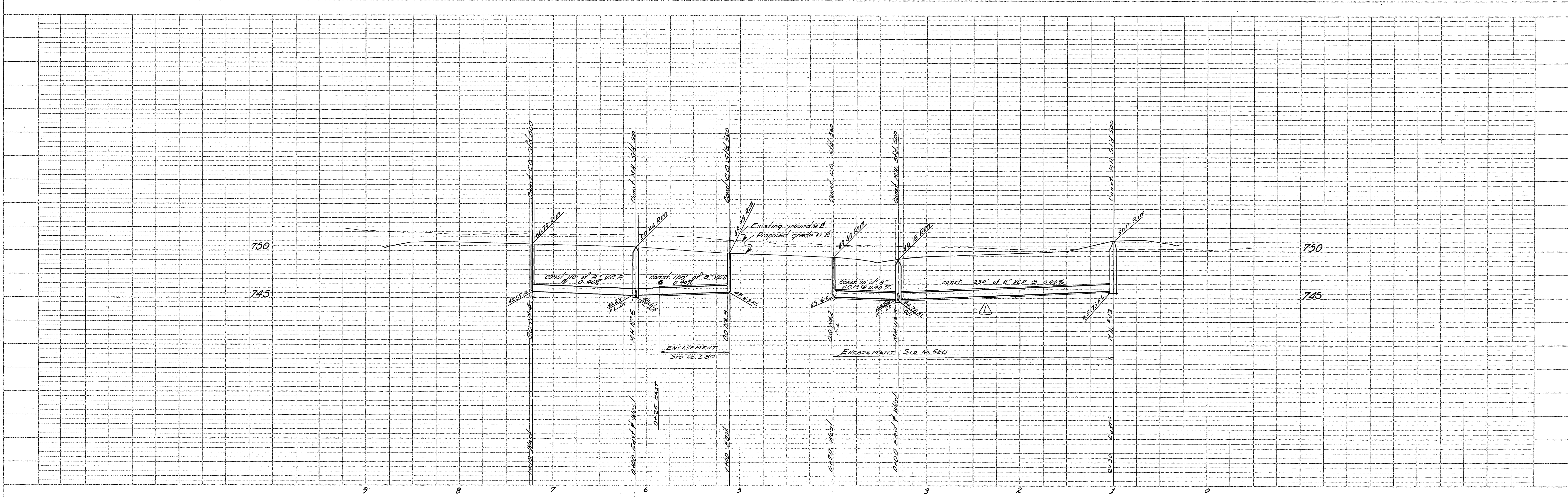
DATE AUGUST 1963 SCALE 1" = 50'  
 DRAWN E.M.L. W.D. 62-186  
 CHECKED Ron O'Neil P.R.

APPROVED BY: *John A. ...*  
 DIRECTOR OF PUBLIC WORKS  
 DATE 12-3-63 SHEET 4 OF 5  
 NO. S-444

\* As built 5/5/64 BE

PROFILE	SUBMITTED	DATE
NOTE BOOK	PLOTTED	
NO.	GRADES CHECKED	
	STRUCTURE LOCATIONS CHECKED	

PLAN	SUBMITTED	DATE
NOTE BOOK	PLOTTED	
NO.	GRADES CHECKED	
	STRUCTURE LOCATIONS CHECKED	



SAGE AVENUE

\* As built 5/9/64 B.E.

REVISION	
MARK	DESCRIPTION
△	12-5-63 From 100' to 230' of 8" V.C.P. @ 0.40% & LATERAL @ 0.25% M.H. #13 WAS CO. #1
DATE	AUGUST 1963
DRAWN	E.W.L.
CHECKED	RON
SCALE	1" = 50'
W.D.	62-186
F.B.	

ALBERT A. WEBB ASSOCIATES  
 CIVIL ENGINEERS - RIVERSIDE, CALIFORNIA  
 APPROVED: *Albert A. Webb* DATE 10/4/63  
 CITY OF RIVERSIDE, CALIFORNIA  
 DEPARTMENT OF PUBLIC WORKS  
**SEWER PLAN & PROFILE**  
**SAGE AVENUE**  
 TRACT No. 2481

APPROVED BY: *John A. ...*  
 DIRECTOR OF PUBLIC WORKS  
 DATE 12-3-63  
 SHEET 5 OF 5  
 Drawg. No. 62-186 B.

PROFILE	DRAWN	DATE
NOTE BOOK	R.M.S. MOYER	
NO.	5/11/63	

PLAN	DRAWN	DATE
NOTE BOOK	R.M.S. MOYER	
NO.	5/11/63	