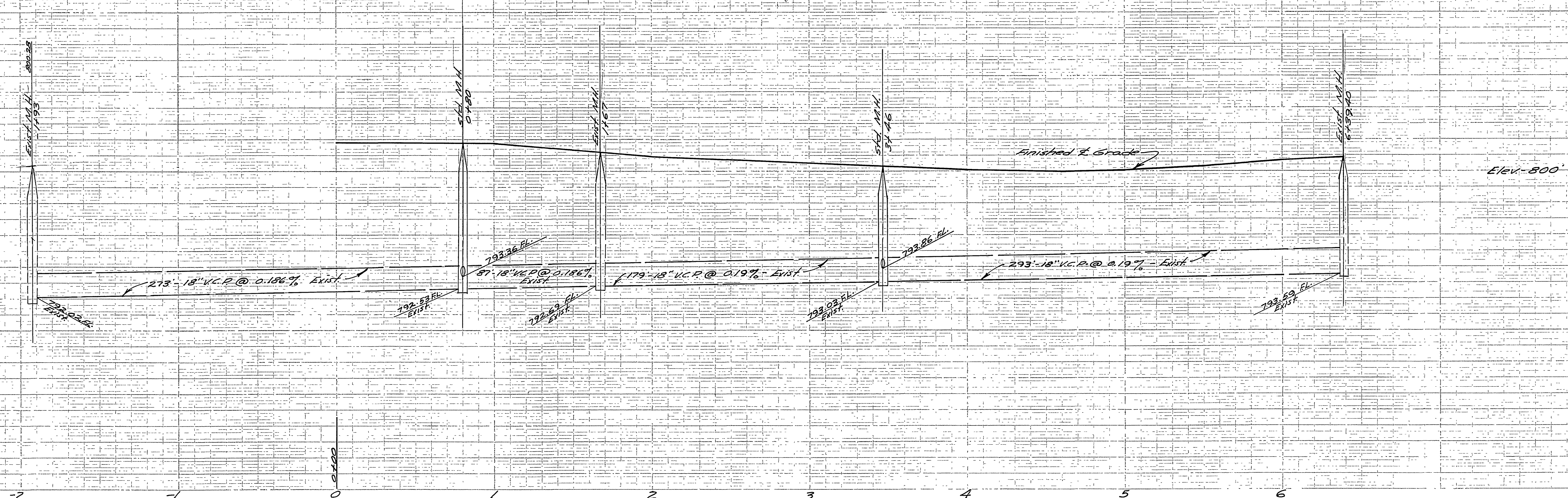


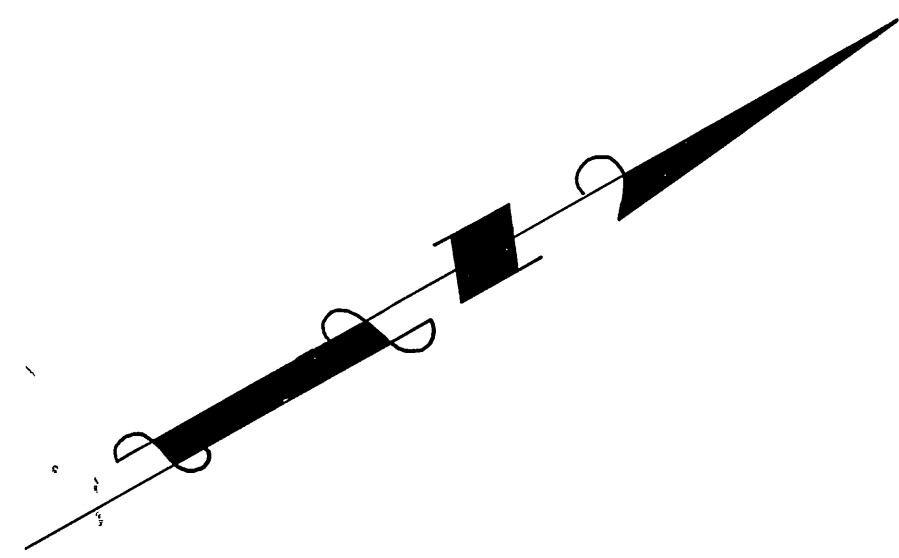
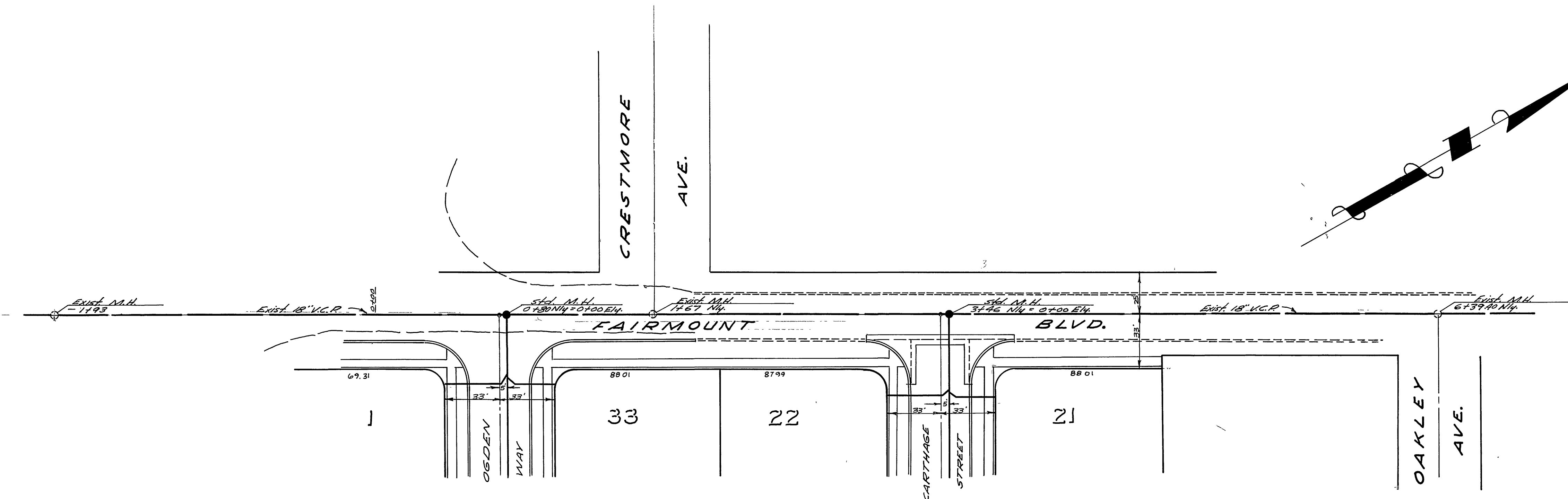
PROPERTY OF CITY OF RIVERSIDE DEPT. OF PUBLIC WORKS ENGINEERING DIVISION

PROPERTY OF CITY OF RIVERSIDE DEPT. OF PUBLIC WORKS ENGINEERING DIVISION

ENGINEERS NOTE - 70 of M.H. Elevations along Fairmount Blvd. to be determined by field Engineer.



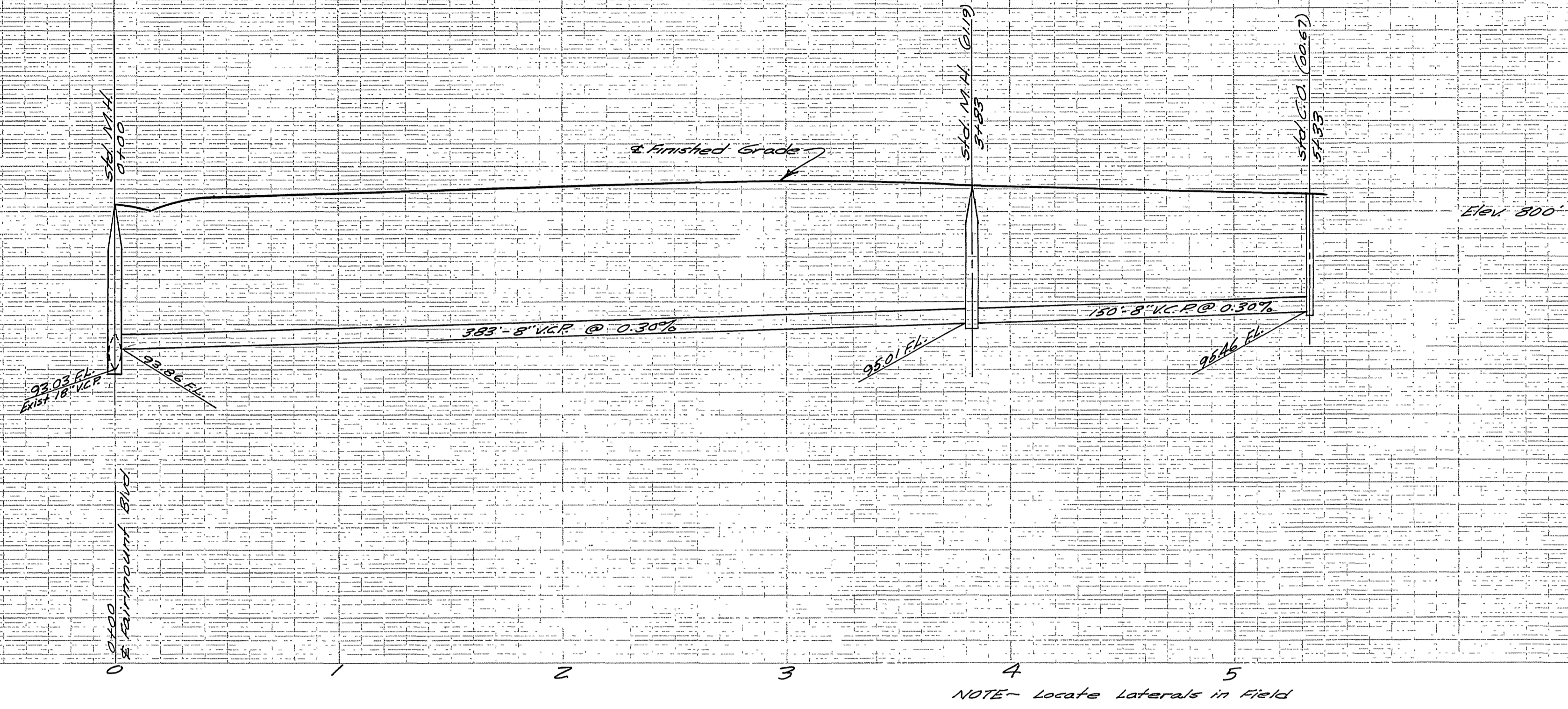
BENCH MARK B.M. Spk. in lead, W/1/2 Curb of Fairmount at approximate of Oakley Ave. Elev. 800.71



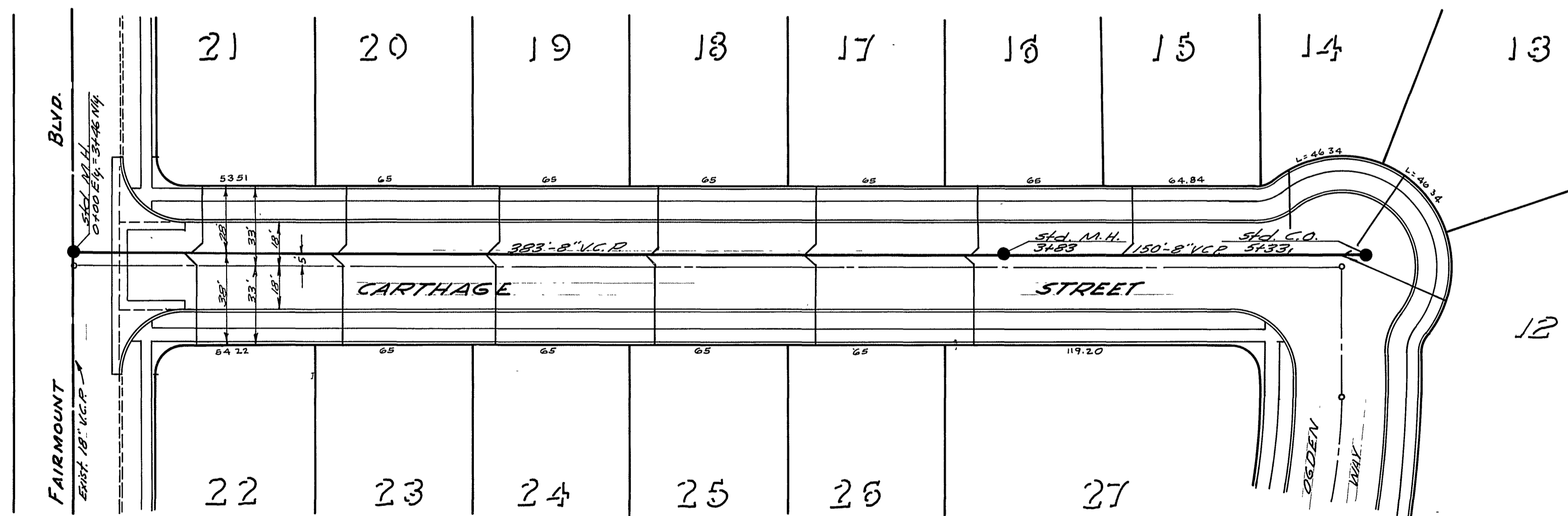
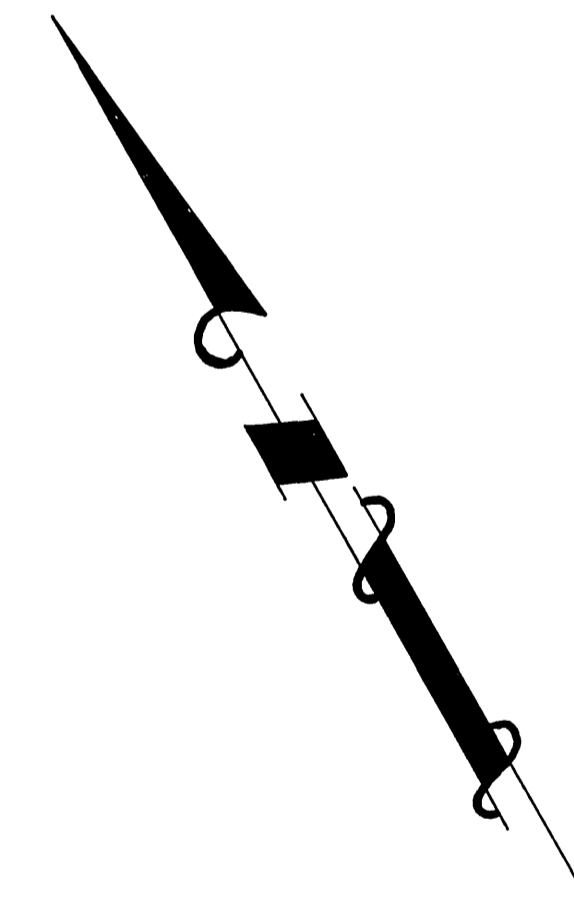
PROPERTY OF CITY OF RIVERSIDE DEPT. OF PUBLIC WORKS ENGINEERING DIVISION

PROPERTY OF CITY OF RIVERSIDE DEPT. OF PUBLIC WORKS ENGINEERING DIVISION

J.F. DAVIDSON CIVIL ENGINEER  
 RE 115 802  
 RIVERSIDE, CALIFORNIA  
 APPROVED BY: *[Signature]* DATE: 1-6-56  
 CITY OF RIVERSIDE, CALIFORNIA  
 DEPARTMENT OF PUBLIC WORKS  
**SEWER PLAN & PROFILE**  
**FAIRMOUNT BLVD.**  
**PARKSIDE TRACT**  
 HORIZ. SCALE 1" = 40' VERT. SCALE 1" = 4'  
 PREPARED BY: *[Signature]* NO. 349  
 Director of Public Works  
 DATE 3-15-56 SHEET 1 3



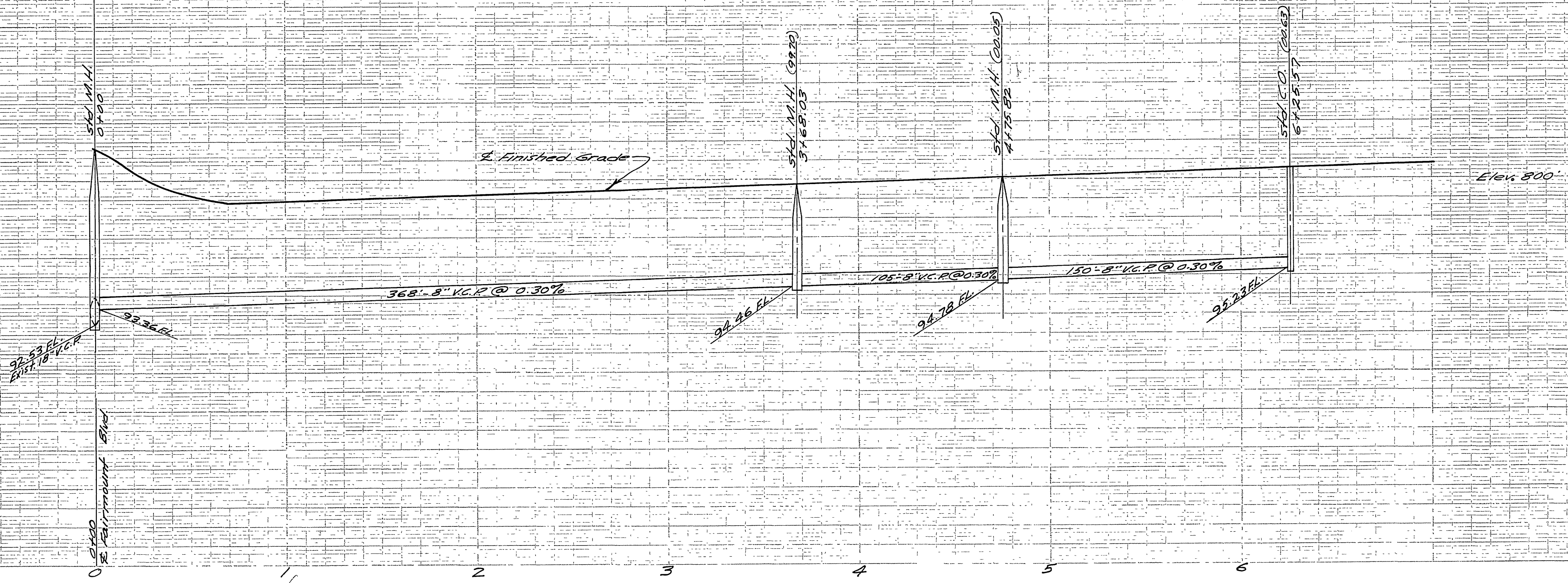
BENCH MARK  
B.M. - Spk in lead, W/ly Cor'd of Fairmount at  
approximate 1/2 of Oakley Ave.  
Elev = 500.71'



J.F. DAVIDSON - CIVIL ENGINEER  
RIVERSIDE, CALIFORNIA  
APPROVED BY: *J.F. Davidson* DATE 7-6-56  
CITY OF RIVERSIDE, CALIFORNIA  
DEPARTMENT OF PUBLIC WORKS  
SEWER PLAN & PROFILE  
CARTHAGE STREET  
DARKSIDE TRACT  
HORIZ. SCALE 1" = 40' VERT. SCALE 1" = 4'  
APPROVED BY: *J.F. Davidson*  
Director of Public Works  
DATE 8-15-56 NO. 5-49  
SHEET 2 OF 3

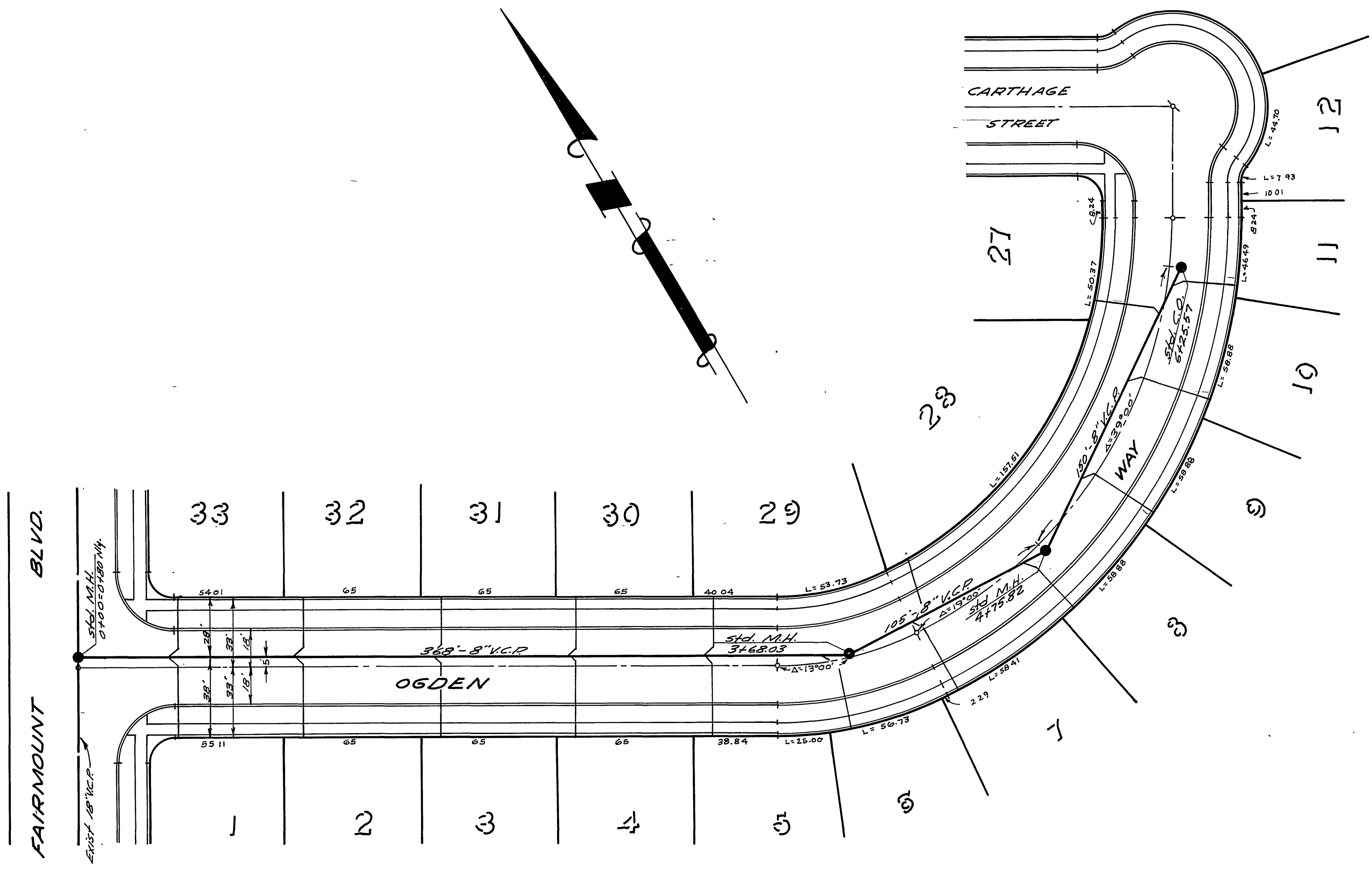
PROPERTY OF  
CITY OF RIVERSIDE  
DEPT. OF PUBLIC WORKS  
ENGINEERING DIVISION

PROPERTY OF  
CITY OF RIVERSIDE  
DEPT. OF PUBLIC WORKS  
ENGINEERING DIVISION



NOTE - Locate Laterals in Field.

BENCH MARK  
B.M. Spk in lead, W/ Curb of Fairmount at  
approximate of Carthage Ave.  
Elev. 806.71



PROPERTY OF  
CITY OF RIVERSIDE  
DEPT. OF PUBLIC WORKS  
ENGINEERING DIVISION

PROPERTY OF  
CITY OF RIVERSIDE  
DEPT. OF PUBLIC WORKS  
ENGINEERING DIVISION

J.F. DAVIDSON - CIVIL ENGINEER  
R.C. No. 852  
RIVERSIDE, CALIFORNIA  
APPROVED BY: *J.F. Davidson* DATE: 6-56  
CITY OF RIVERSIDE, CALIFORNIA  
DEPARTMENT OF PUBLIC WORKS  
SEWER PLAN & PROFILE  
OGDEN WAY  
PARKSIDE TRACT  
HORIZ SCALE 1" = 40' VERT SCALE 1" = 4'  
APPROVED BY: *J.F. Davidson* NO. 5-49  
DATE: 6-16-56 SHEET 3 OF 3