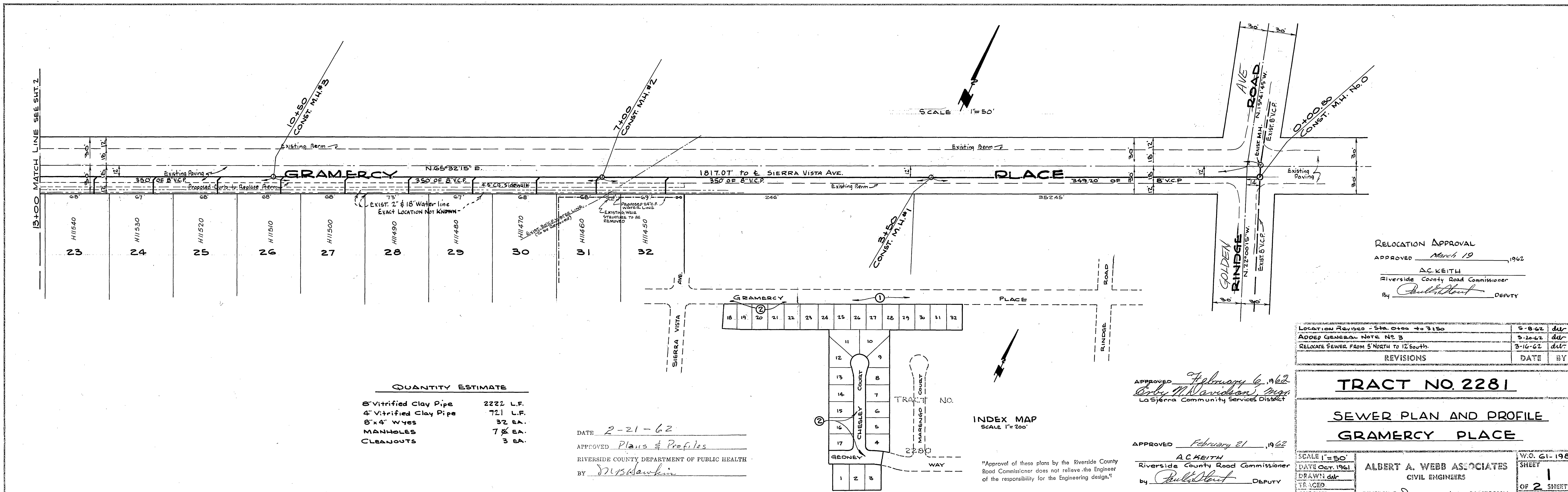


DATE \_\_\_\_\_ BY \_\_\_\_\_  
 SURVEYED \_\_\_\_\_  
 NOTE BOOK ALIGNMENT CHECKED \_\_\_\_\_  
 RT. OF WAY CHECKED \_\_\_\_\_  
 NO. \_\_\_\_\_

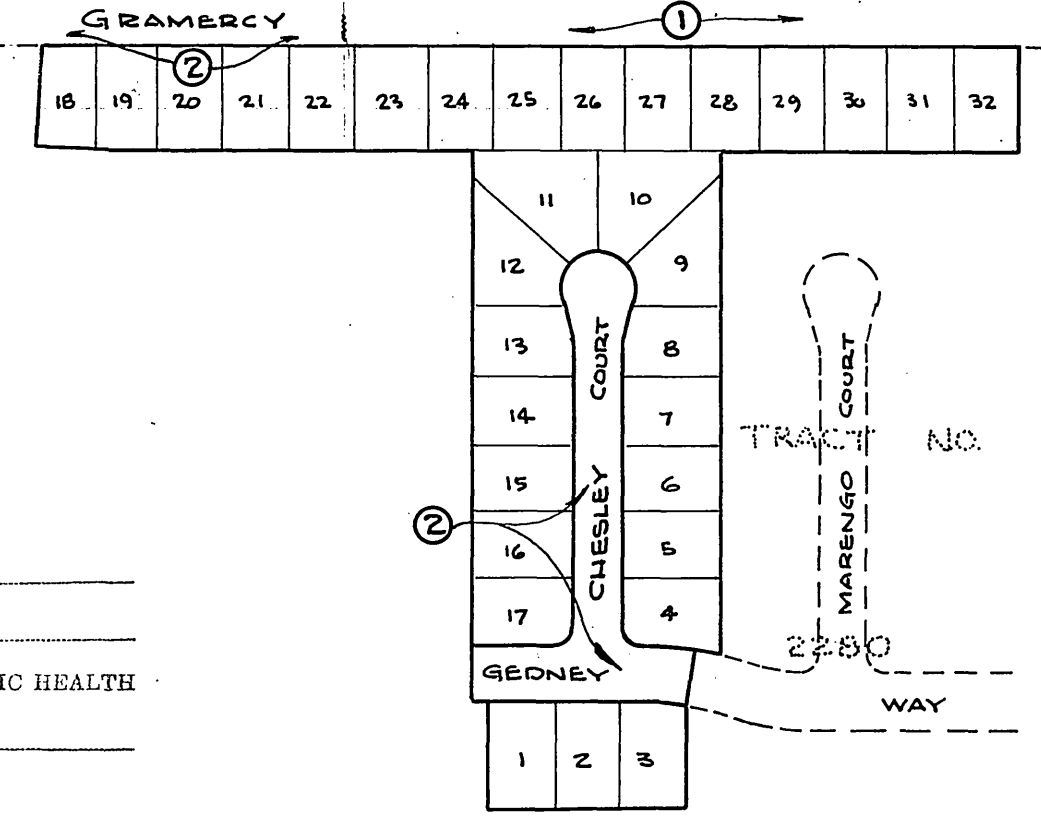
DATE \_\_\_\_\_ BY \_\_\_\_\_  
 SURVEYED \_\_\_\_\_  
 NOTE BOOK GRADES CHECKED \_\_\_\_\_  
 B. M. NOTED \_\_\_\_\_  
 STRUCTURE NOTATIONS CHECKED \_\_\_\_\_  
 NO. \_\_\_\_\_



**QUANTITY ESTIMATE**

8" Vitrified Clay Pipe	2222 L.F.
4" Vitrified Clay Pipe	721 L.F.
8"x4" Wyes	32 EA.
MANHOLES	7 EA.
CLEANOUTS	3 EA.

DATE 2-21-62  
 APPROVED Plans & Profiles  
 RIVERSIDE COUNTY DEPARTMENT OF PUBLIC HEALTH  
 BY M. S. Lawler



INDEX MAP  
 SCALE 1" = 200'

APPROVED February 6, 1962  
Orby M. Davidson, Mgr.  
 La Sierra Community Services District

APPROVED February 21, 1962  
A.C. KEITH  
 Riverside County Road Commissioner  
 by Paul Stout DEPUTY

RELOCATION APPROVAL  
 APPROVED March 19, 1962  
A.C. KEITH  
 Riverside County Road Commissioner  
 By Paul Stout DEPUTY

Location Revised - Sta. 0+00 to 3+50	5-8-62	du
Added GENERAL NOTE NO. 3	5-20-62	du
RELOCATE SEWER FROM S NORTH TO 12 SOUTH.	3-16-62	du
REVISIONS	DATE	BY

**TRACT NO. 2281**

**SEWER PLAN AND PROFILE**

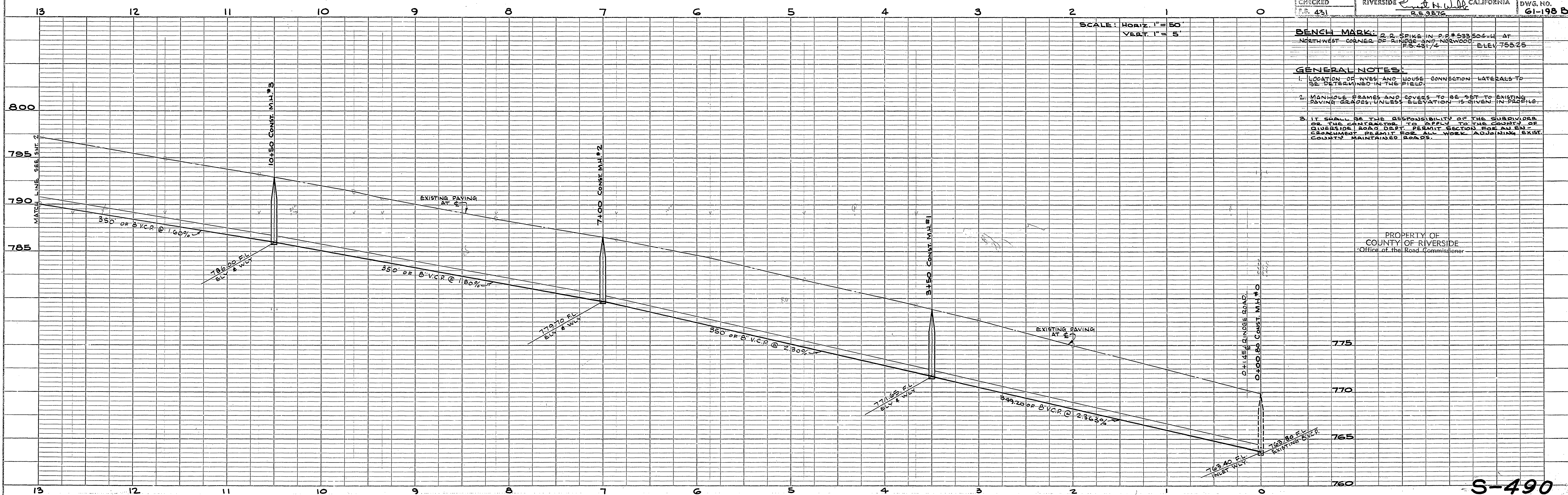
**GRAMERCY PLACE**

SCALE 1" = 50'

DATE Oct. 1961  
 DRAWN du  
 CHECKED du  
 P.B. 431

ALBERT A. WEBB ASSOCIATES  
 CIVIL ENGINEERS  
 RIVERSIDE CALIFORNIA  
 P.B. 3876

W.O. 61-198  
 SHEET 1  
 OF 2 SHEETS  
 DWG. NO. 61-198 B



BENCH MARK: 2" SPIKE IN P.P. #533 504-14 AT NORTHWEST CORNER OF RINDGE AND NORWOOD P.B. 431/4 ELEV. 755.25

**GENERAL NOTES:**

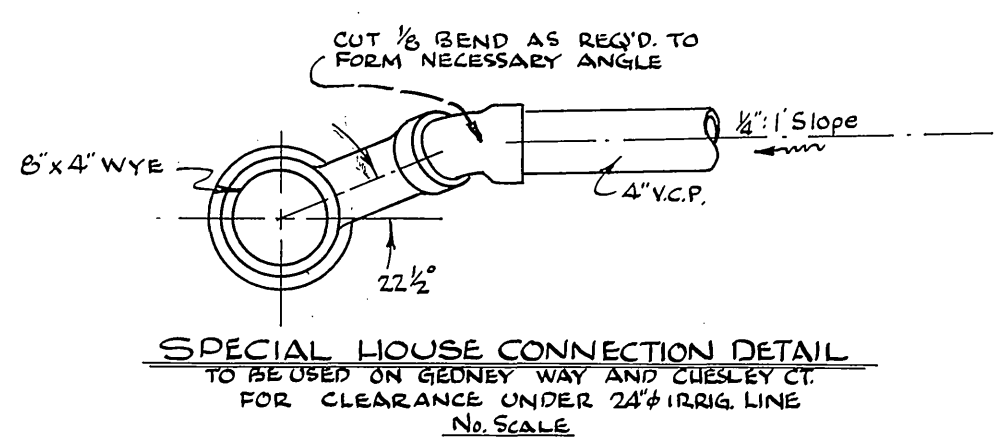
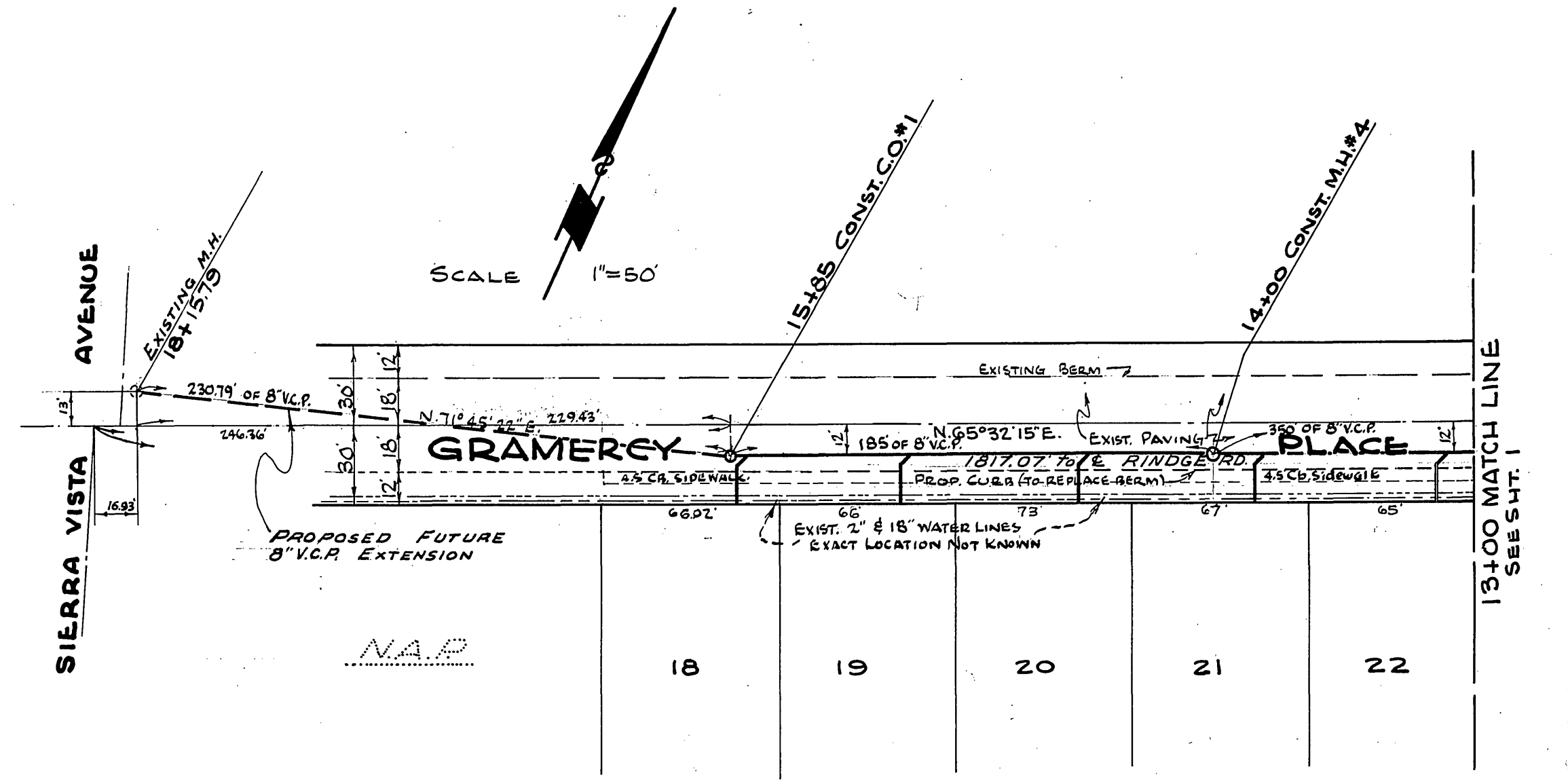
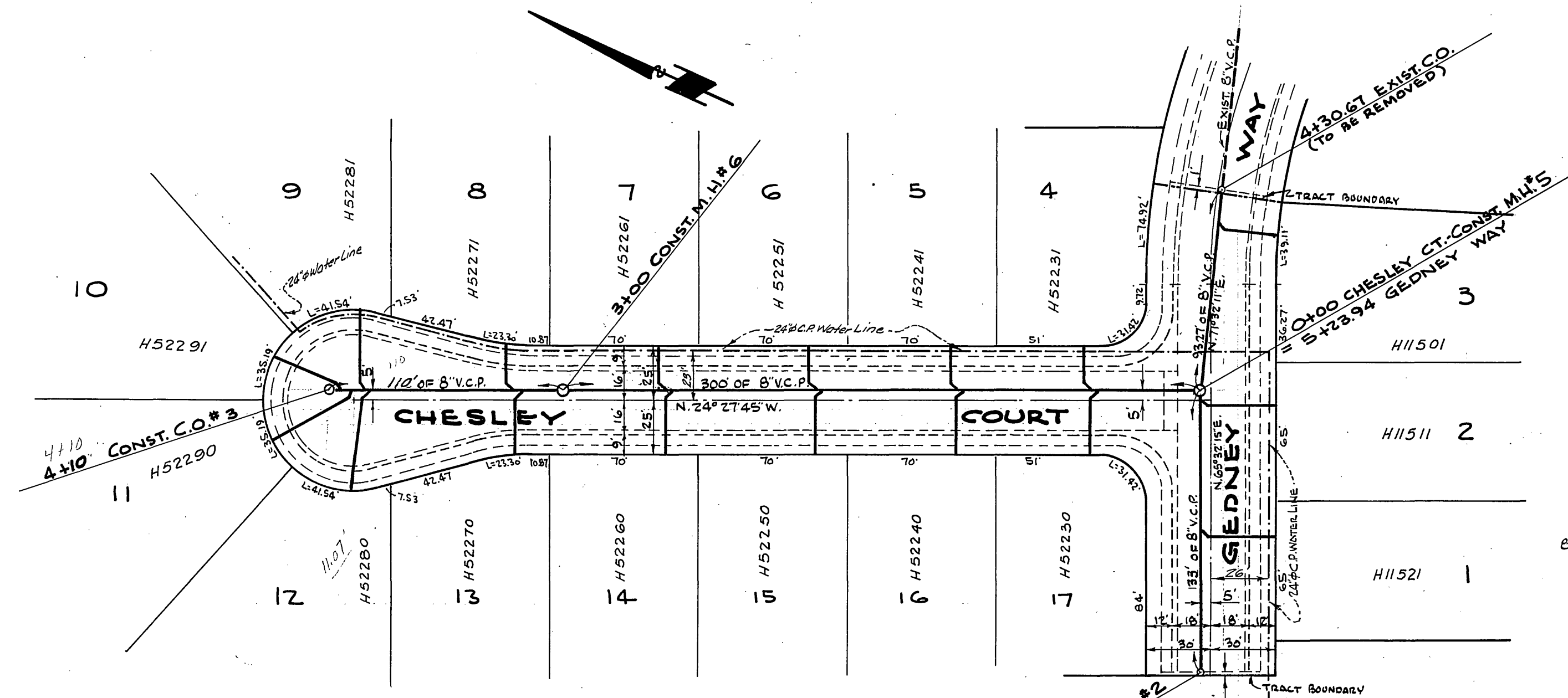
- LOCATION OF WYES AND HOUSE CONNECTION LATERALS TO BE DETERMINED IN THE FIELD.
- MANHOLE FRAMES AND COVERS TO BE SET TO EXISTING PAVING GRADES UNLESS ELEVATION IS GIVEN IN PAR. 1B.
- IT SHALL BE THE RESPONSIBILITY OF THE SUBDIVIDER OR THE CONTRACTOR TO APPLY TO THE COUNTY OF RIVERSIDE ROAD DEPT. PERMIT SECTION FOR AN EN-CRACEMENT PERMIT FOR ALL WORK ADJOINING EXIST COUNTY MAINTAINED ROADS.

PROPERTY OF  
 COUNTY OF RIVERSIDE  
 Office of the Road Commissioner

S-490  
 749  
 DWG. NO. 61-198 B

PLAN  
 SURVEYED, PLANNING CHECKED, REVISIONS CHECKED, DATE, BY, NO.

PROFILE  
 SURVEYED, GRADES CHECKED, B.M. NOTED, STRUCTURE NOTATIONS CHECKED, DATE, BY, NO.



DATE 2-21-62  
 APPROVED Plans & Profiles  
 RIVERSIDE COUNTY DEPARTMENT OF PUBLIC HEALTH  
 BY J. M. Hawkins

NOTE:  
 SEE A.A. WEBB ASSOC. DWG. NO. G1-255  
 FOR WATER LINE PLANS.

RELOCATE GRAMERCY SEWER FROM 5' NORTH TO 12' SOUTH	3-16-62	dar
REVISED SEWER GRADES AND ADDED W.L. LINE TO PROFILE	3-8-62	dar
REVISIONS		DATE BY

**TRACT NO. 2281**

**SEWER PLAN AND PROFILE**  
**GRAMERCY PLACE - GEDNEY WAY**  
**CHESLEY COURT**

SCALE 1"=50'	DATE OCT. 1961	W.D. 61-198
DRAWN dar	CHECKED dar	SHEET 2
OF 2 SHEETS	DWG. NO. 61-198 B	

ALBERT A. WEBB ASSOCIATES  
 CIVIL ENGINEERS  
 RIVERSIDE CALIFORNIA  
 R.E. 3876

