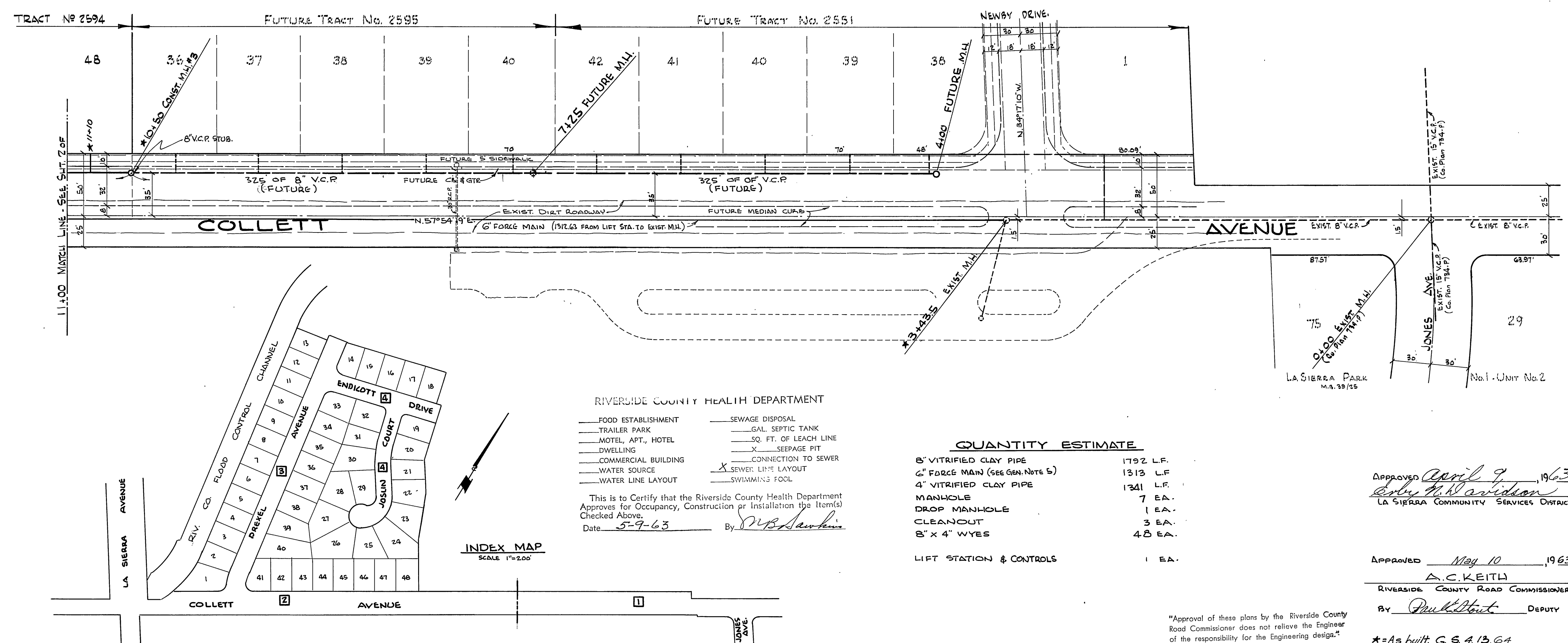


SCALE: HORIZ. 1"=50'
VERT. 1"=5'

BENCH MARK:
40" NAIL IN SOUTH SIDE POWER POLE #32074-E
ON NLY CORNER COLLETT AND LA SIERRA
ELEV. 70351 (Taken From Co. Plan #1262)



- GENERAL NOTES:**
1. LOCATION OF WYES AND HOUSE CONNECTIONS LATERALS TO BE DETERMINED IN THE FIELD.
 2. MANHOLE FRAMES AND COVERS TO BE SET TO EXISTING PAVING GRADES UNLESS ELEVATION IS GIVEN IN PROFILE.
 3. IT SHALL BE THE RESPONSIBILITY OF THE SUBDIVIDER OR THE CONTRACTOR TO APPLY TO THE COUNTY OF RIVERSIDE ROAD DEPT. PERMIT SECTION FOR AN ENCROACHMENT PERMIT FOR ALL WORK ADJOINING EXISTING COUNTY MAINTAINED ROAD.
 4. NOTICE TO CONTRACTOR: THE EXISTENCE AND LOCATION OF ANY UNDERGROUND UTILITY PIPES OR STRUCTURES SHOWN ON THESE PLANS ARE OBTAINED BY A SEARCH OF THE AVAILABLE RECORDS. TO THE BEST OF OUR KNOWLEDGE THERE ARE NO EXISTING UTILITIES EXCEPT AS SHOWN ON THESE PLANS. THE CONTRACTOR IS REQUIRED TO TAKE DUE PRECAUTIONARY MEASURES TO PROTECT THE UTILITY LINES SHOWN AND ANY OTHER LINES NOT OF RECORD OR NOT SHOWN ON THESE PLANS.
 5. 6" FORCE MAIN IS TO BE ASBESTOS CEMENT PIPE - CLASS 150 WITH RUBBER GASKET JOINTS - OR - ALTERNATE CAST IRON PIPE - CLASS 150 WITH RUBBER GASKET JOINTS.

PROPERTY OF
COUNTY OF RIVERSIDE
Office of the Road Commissioner

RIVERSIDE COUNTY HEALTH DEPARTMENT

FOOD ESTABLISHMENT	SEWAGE DISPOSAL
TRAILER PARK	GAL. SEPTIC TANK
MOTEL, APT., HOTEL	SQ. FT. OF LEACH LINE
DWELLING	X SEEPAGE PIT
COMMERCIAL BUILDING	CONNECTION TO SEWER
WATER SOURCE	X SEWER LINES LAYOUT
WATER LINE LAYOUT	SWIMMING POOL

This is to Certify that the Riverside County Health Department Approves for Occupancy, Construction or Installation the Item(s) Checked Above.
Date 5-9-63 By *[Signature]*

QUANTITY ESTIMATE

8" VITRIFIED CLAY PIPE	1792 LF.
6" FORCE MAIN (SEE GEN. NOTE 5)	1313 LF.
4" VITRIFIED CLAY PIPE	1341 LF.
MANHOLE	7 EA.
DROP MANHOLE	1 EA.
CLEANOUT	3 EA.
8" X 4" WYES	48 EA.
LIFT STATION & CONTROLS	1 EA.

APPROVED *April 9, 1963*
Albert A. Webb
LA SIERRA COMMUNITY SERVICES DISTRICT

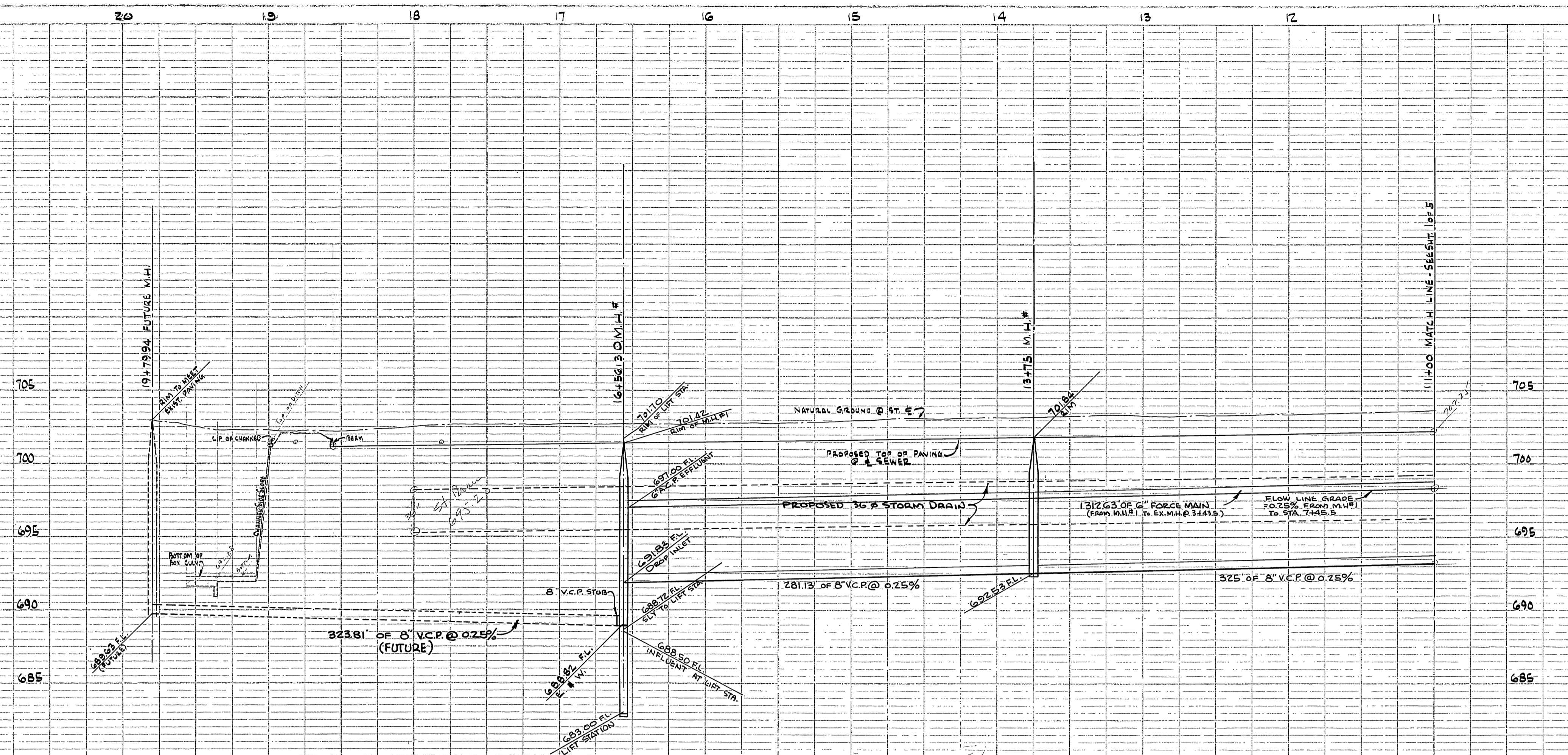
APPROVED *May 10, 1963*
A. C. KEITL
RIVERSIDE COUNTY ROAD COMMISSIONER
By *[Signature]* DEPUTY

*As built G.S. 4.13.64.

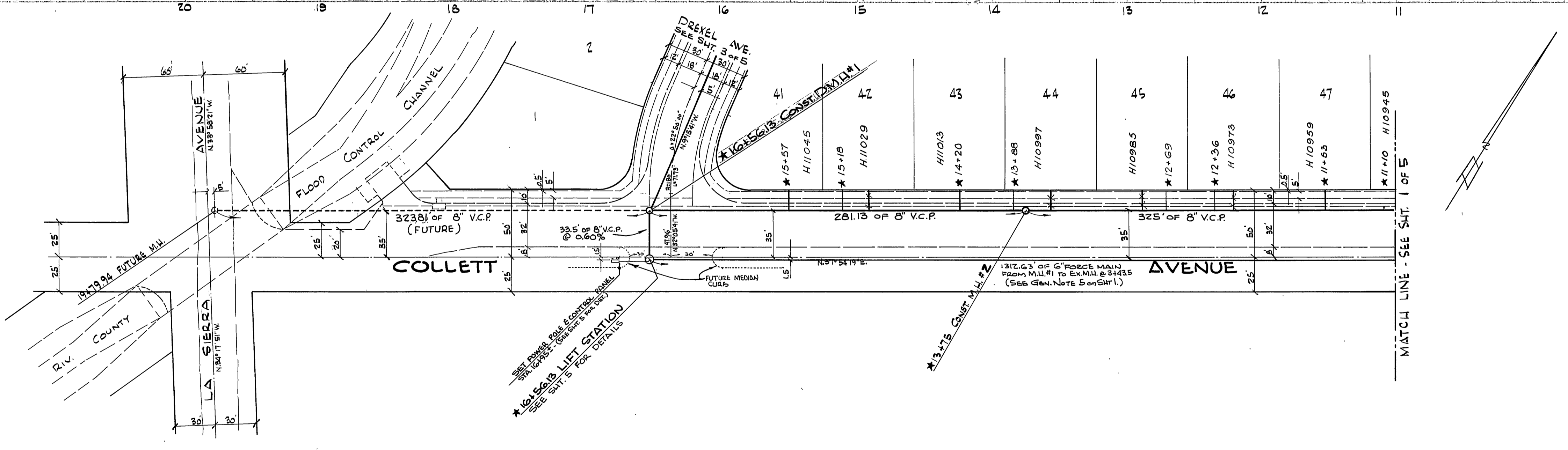
ADDED 3" V.C.P. AND RAISED FORCE MAIN TO CLEAR	5-9-66	dw
REVISIONS	DATE	BY
TRACT NO. 2594		
SEWER PLAN AND PROFILE		
COLLETT AVENUE		
SCALE 1"=50'	DATE JAN. 1963	W.O. 63-3
DRAWN dw	TRACED	SHEET 1
CHECKED	RIVERSIDE CALIFORNIA	OF 5 SHEETS
F.D. 495/1	ALBERT A. WEBB ASSOCIATES CIVIL ENGINEERS	DWG. NO. 63-3B

INDEXED E.T. S-504 755-7

DRAWN BY: dw
 CHECKED BY: [Signature]
 TRACED BY: [Signature]
 DATE: 5-9-66
 SHEET: 1 OF 5
 DWG. NO.: 63-3B



SCALE: Horiz. 1" = 50'
 Vert. 1" = 5'

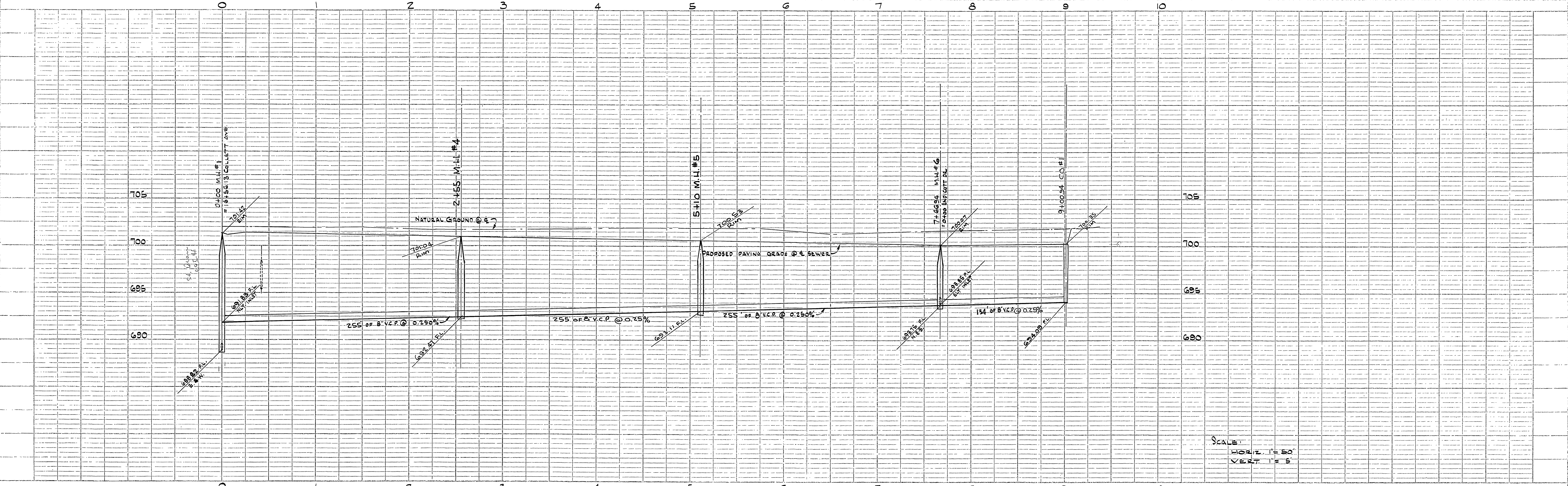


PROPERTY OF
 COUNTY OF RIVERSIDE
 Office of the Road Commissioner

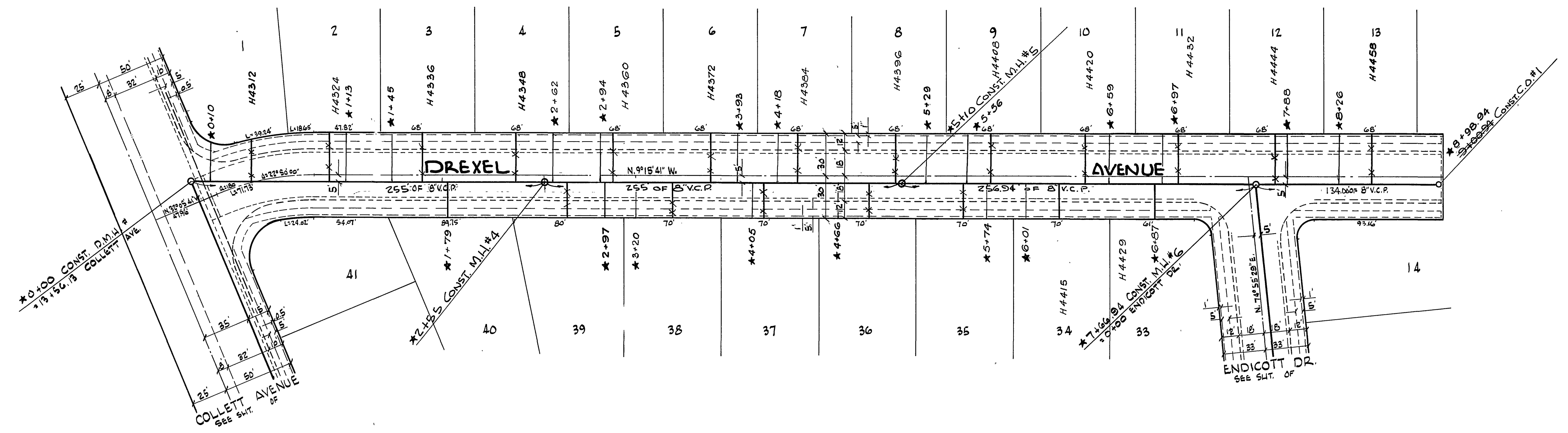
REVISIONS	DATE	BY
TRACT NO. 2594		
SEWER PLAN AND PROFILE		
COLLETT AVENUE		
SCALE 1" = 50'	DATE JAN 1964	SHEET 2
DRAWN dwt	CHECKED	OF 5 SHEETS
TRACED		DWG. NO. 63-3-B
ALBERT A. WEBB ASSOCIATES CIVIL ENGINEERS RIVERSIDE, CALIFORNIA		

* = As built G.S. 4.13.64.

S-504 755



SCALE:
HORIZ. 1" = 50'
VERT. 1" = 5'



PROPERTY OF
COUNTY OF RIVERSIDE
Office of the Road Commissioner

REVISIONS	DATE	BY

TRACT NO. 2594
SEWER PLAN AND PROFILE
DREXEL AVENUE

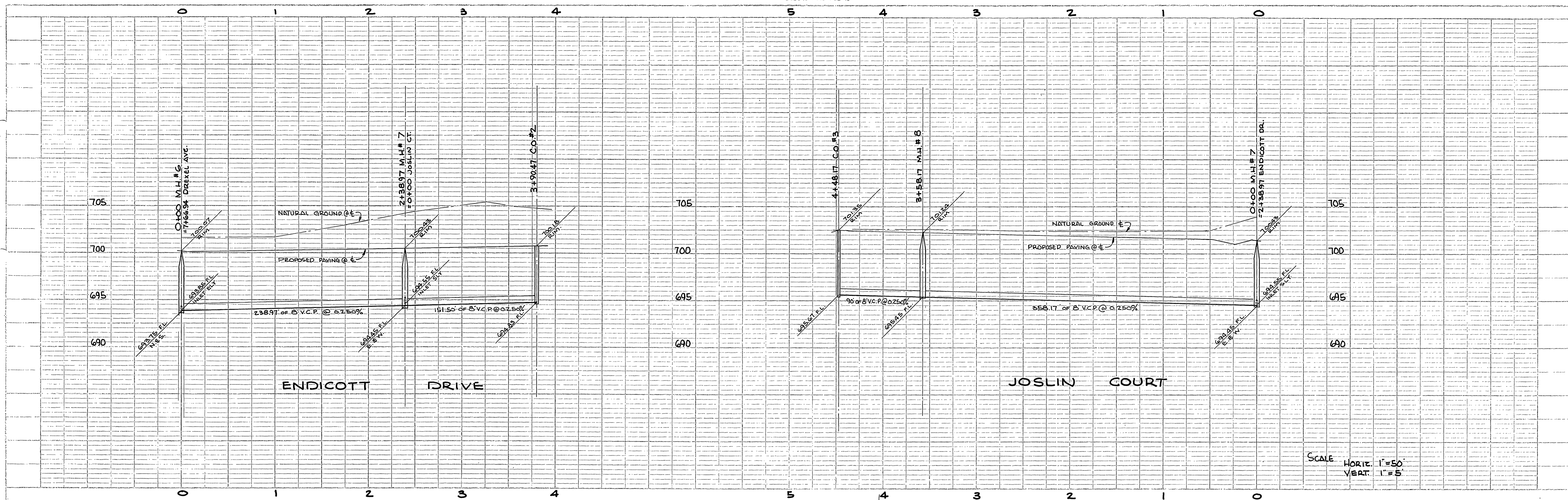
SCALE 1"=50'	ALBERT A. WEBB ASSOCIATES CIVIL ENGINEERS RIVERSIDE, CALIFORNIA P.E. 9876	W.C. 63-3
DATE JAN. 1963		SHEET
DRAWN <i>dlw</i>		3
CHECKED		OF 5 SHEETS
P.E. 495/1		DWG. NO. 63-3-B

* = As built G.S. 4.13.64.

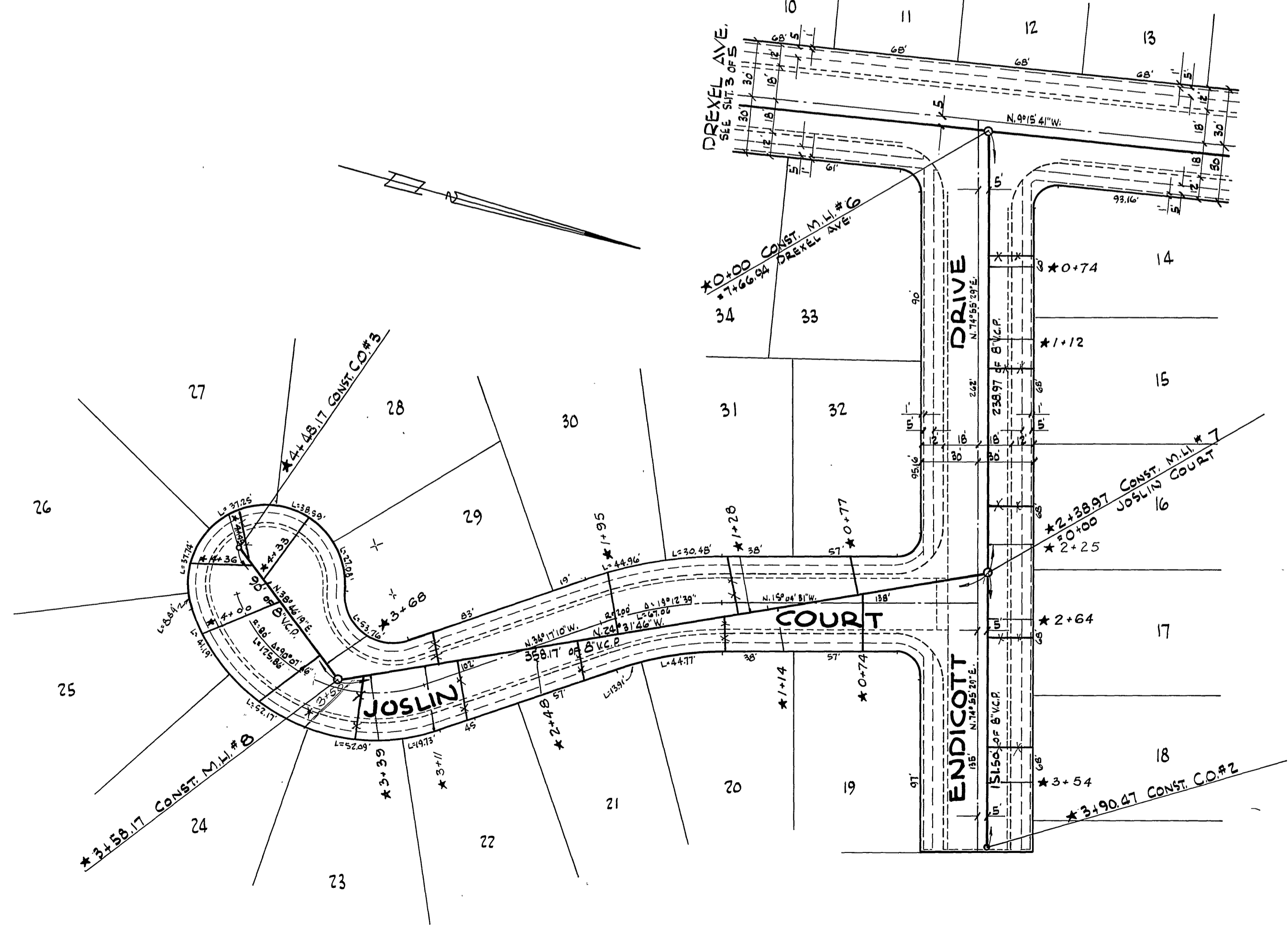
S-504755

PROJECT	SEWER
NOTED BOOK	NOTED
NO.	
DATE	

PLAN	SEWER
NOTED BOOK	NOTED
NO.	
DATE	



SCALE HORIZ. 1"=50'
 VERT. 1"=5'



PROPERTY OF
 COUNTY OF RIVERSIDE
 Office of the Road Commissioner

REVISIONS	DATE	BY

TRACT NO. 25 94

SEWER PLAN AND PROFILE
ENDICOTT DR. & JOSLIN CT.

SCALE 1"=50'
 DATE JAN. 1963
 DRAWN *du*
 TRACED
 CHECKED
 P.S. 495/1

ALBERT A. WEBB ASSOCIATES
 CIVIL ENGINEERS
 RIVERSIDE CALIFORNIA
 R.E. 9876

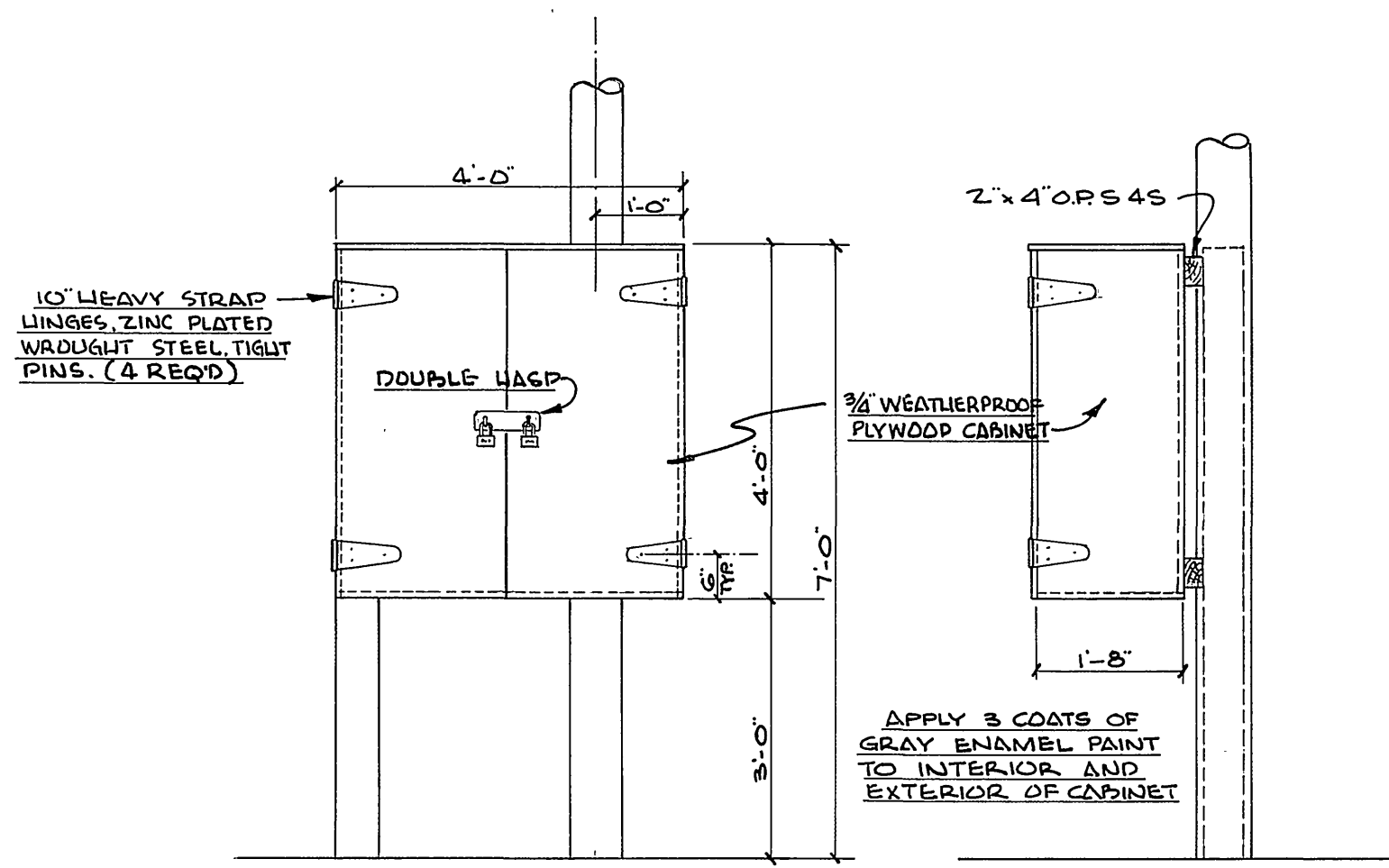
W.O. G3-3
 SHEET 4
 OF 5 SHEETS
 D.W.C. NO. G3-5B

*As built G.S. 4 13. 64.

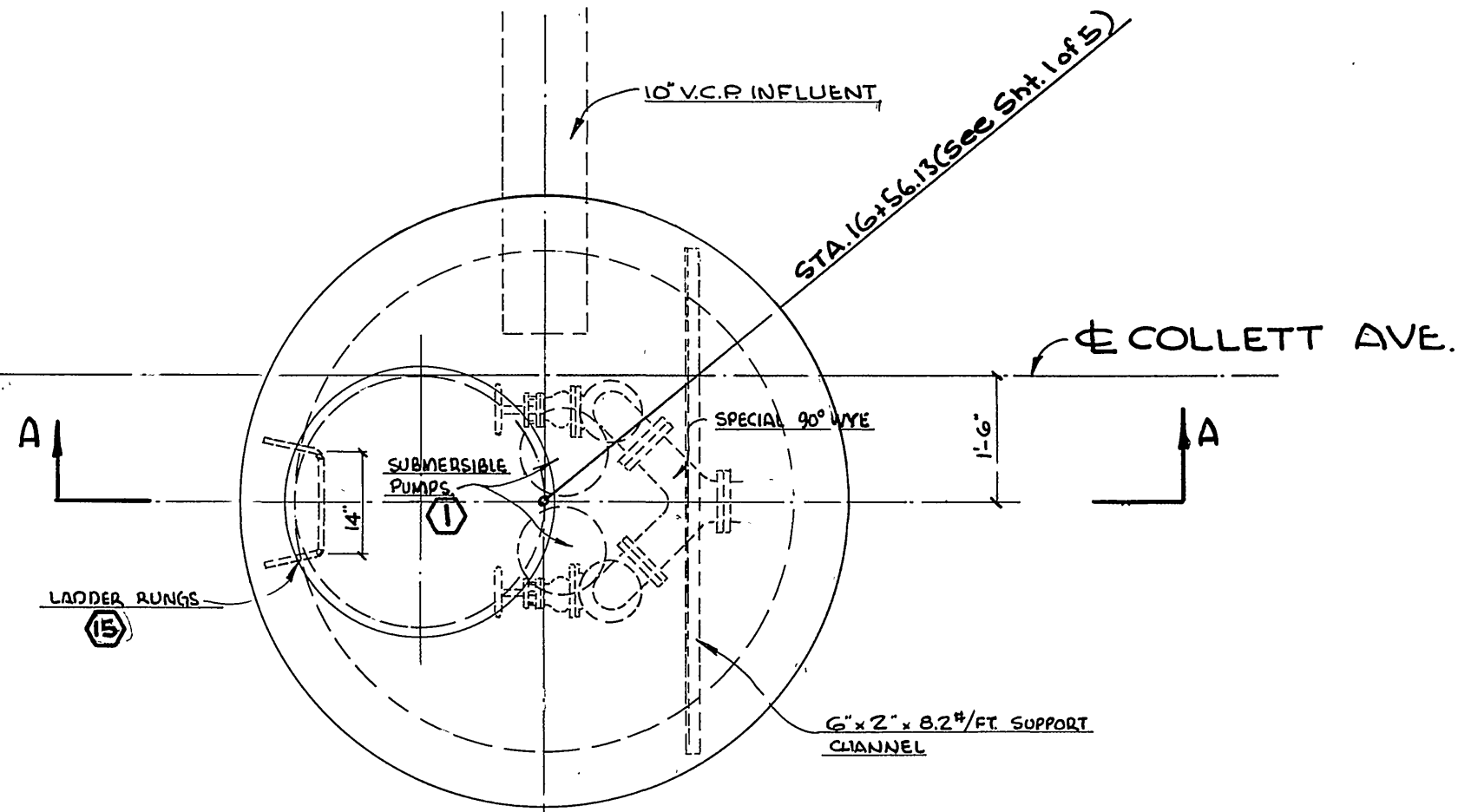
S-5047557

PROJECT	SEWER
NO. OF SHEETS	5
DATE	JAN. 1963
BY	A. I. CO. ENGINEERS
CHECKED	
DATE	

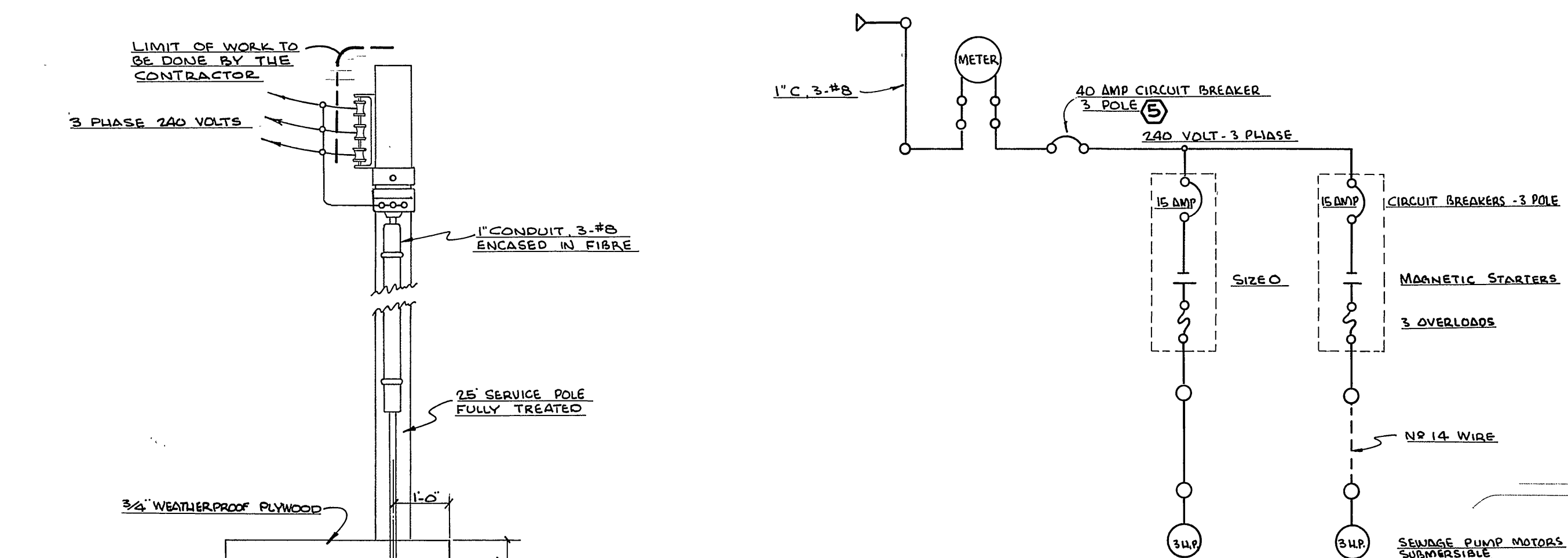
PLAN	
NO. OF SHEETS	5
DATE	JAN. 1963
BY	A. I. CO. ENGINEERS
CHECKED	
DATE	



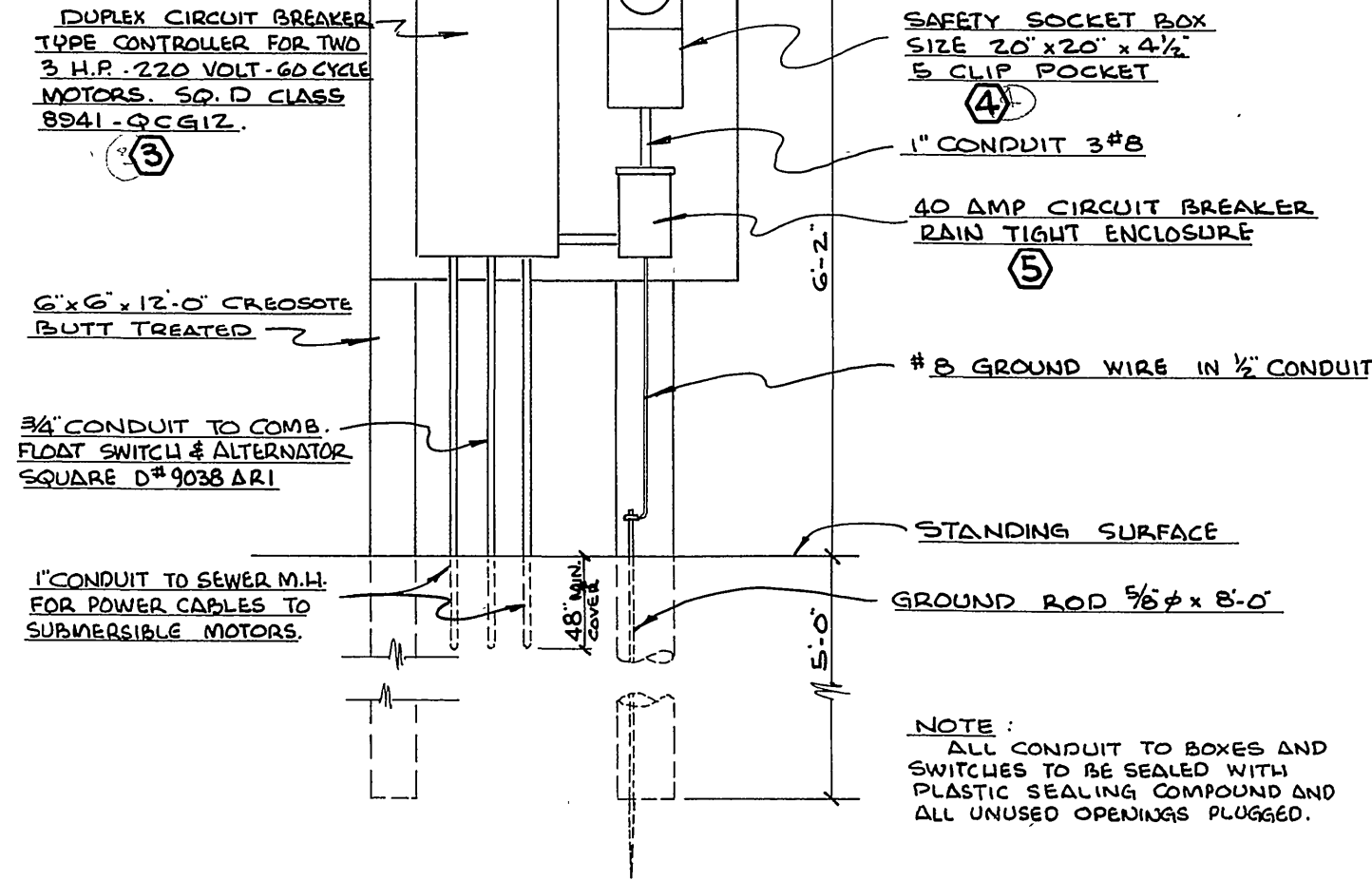
CABINET DETAIL
SCALE 1/2" = 1'-0"



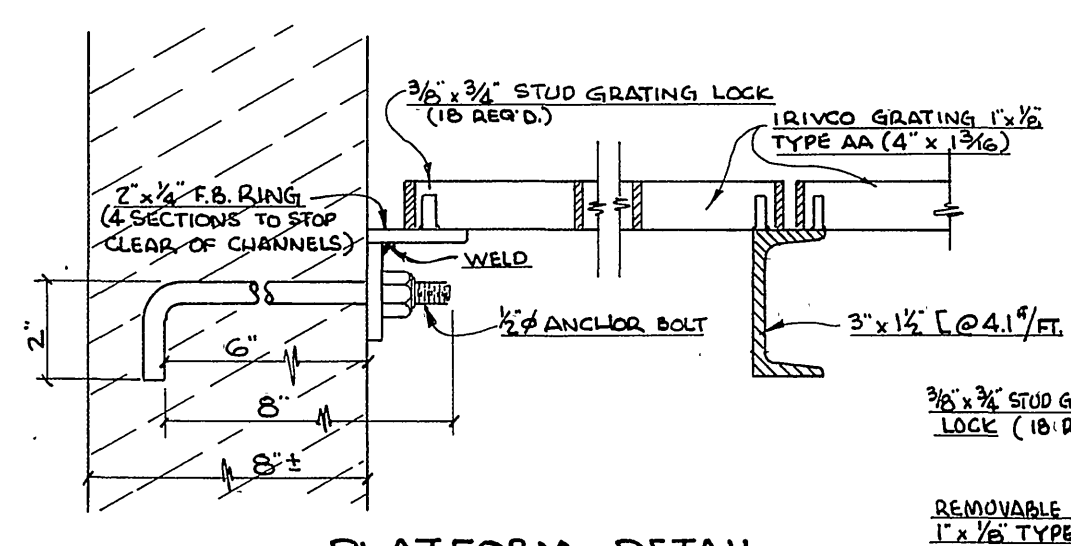
TOP VIEW
SCALE 1/2" = 1'-0"



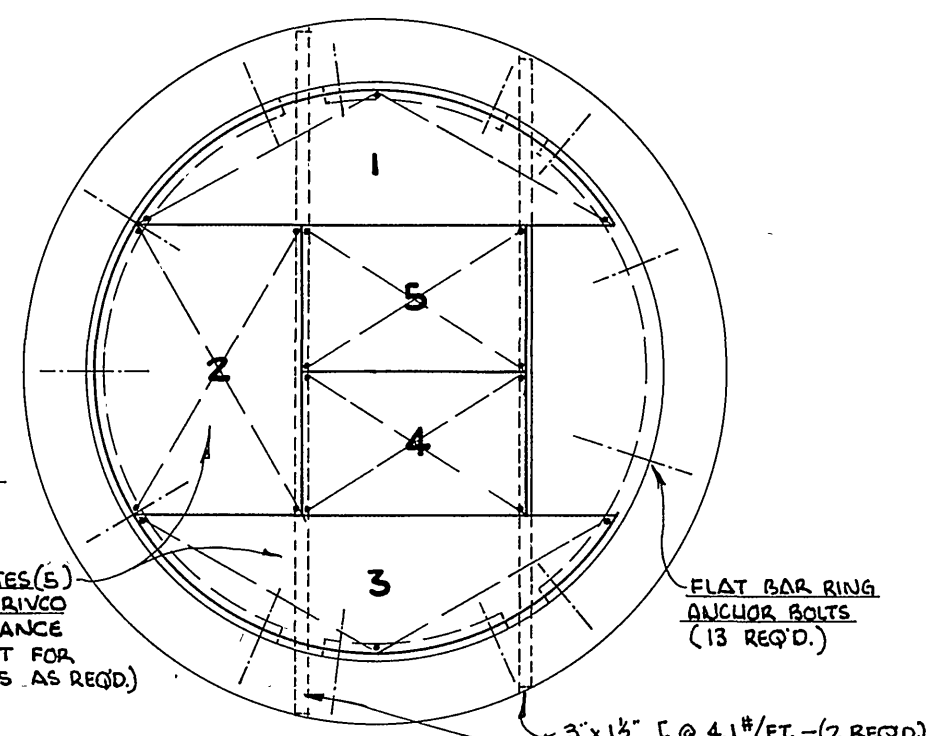
SINGLE LINE DIAGRAM



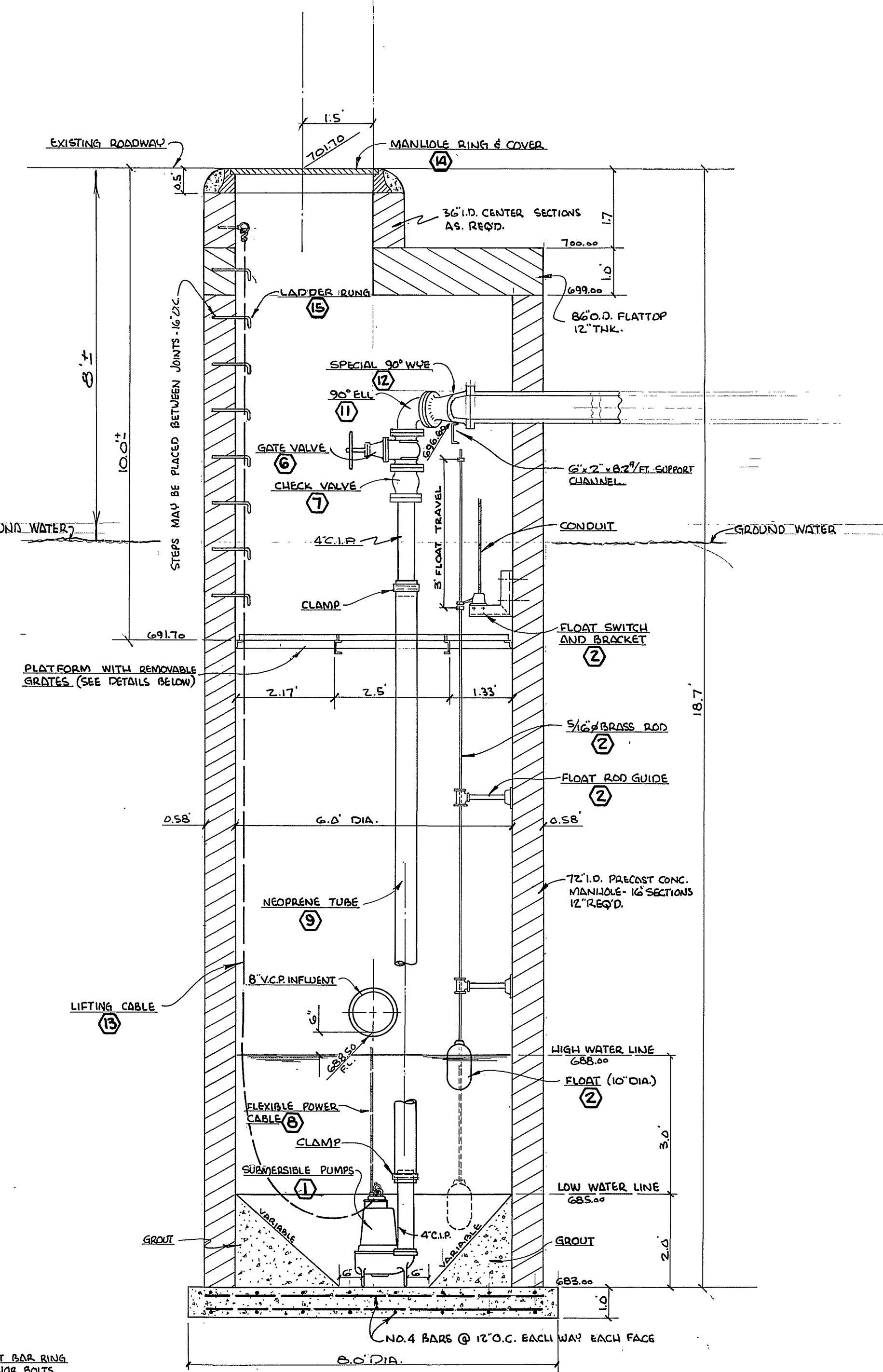
ELECTRICAL FACILITIES FOR METERING AND CONTROL
SCALE 1/2" = 1'-0"



PLATFORM DETAIL
NO SCALE



REMOVABLE GRATING LAYOUT
NO SCALE



SECTION A-A
SCALE 1/2" = 1'-0"

- PARTS LIST**
(LIFT STATION AND CONTROLS)
- ① PUMPS: 2 REQ'D. WEMCO SUBMERSIBLE MODEL 453.4" WITH 3 H.P. - 1150 R.P.M. - 220/3/60 MOTOR AND RATED AT 250 G.P.M. AT 16 FT.
 - ② FLOAT SWITCH ASSEMBLY: SQUARE D CLASS 903B A.R.1 WITH BRACKET, GUIDES, ROD, STOPS AND 1/2" DIA. COPPER FLOAT.
 - ③ CONTROL PANEL: SQUARE D CLASS 9341 Q.C.G.-5 FORM CY 62 WALL MOUNTING WITH LOCKABLE DOOR.
 - ④ METER BOX: SQUARE D #1096-RO SAFETY SOCKET WITH 5 CLIP SOCKET.
 - ⑤ CIRCUIT BREAKER: SQUARE D #ML1-740 RO, 40 AMP
 - ⑥ GATE VALVES: 2 REQ'D; I.B.B.M. #561 x KENNEDY WITH WHEELS.
 - ⑦ CHECK VALVES: 2 REQ'D. I.B.B.M. #106 KENNEDY.
 - ⑧ FLEXIBLE POWER CABLE: WATER PROOF - 5 CONDUCTOR NEOPRENE CABLE AS FURNISHED BY MOTOR MANUFACTURER TO RUN CONTINUOUSLY FROM MOTOR TO CONTROL BOX.
 - ⑨ NEOPRENE TUBE - 2 REQ'D. 13.5 LG. x 4 1/2" I.D. MARINE EXHAUST HOSE AND COVER WITH CLAMPS.
 - ⑩ SPECIAL C.I. FITTING: 4" FLANGED TO " SPIGOT END - 34" LG.
 - ⑪ 90° ELLS: 2 REQ'D - 4" FLANGED
 - ⑫ WYE: 4" x 4" x 6" TRUE FLANGED - 90°
 - ⑬ LIFTING CABLES: 2 REQ'D. 1/2" x 5/16" STAINLESS STEEL AIRCRAFT NEOPRENE COVERED - 22' LENGTHS, EACH HAVING TENSILE STRENGTH OF 3,400 LB WITH Q.D. PLATED 1/2" x 6" EYE BOU FOR INSERTING IN CONCRETE; FILLER CLAMPS AND THIMBLES.
 - ⑭ MANHOLE COVERS: ALHAMBRA FOUNDARY NO. A-125H (36" CLEAR OPENING) OR EQUAL.
 - ⑮ LADDER RUNG: ALHAMBRA FOUNDARY NO. A-3320 (GALV.) OR EQUAL.

- GENERAL NOTES**
- 1. ALL CAST IRON PIPE TO CONFORM TO FEDERAL SPECIFICATIONS WW-P421
 - 2. ALL CAST IRON FITTINGS SHALL CONFORM TO SPECIFICATIONS FOR SHORT BODY FITTINGS ASA SPECS. Z.1.10

PROPERTY OF
COUNTY OF RIVERSIDE
Office of the Road Commissioner

REVISIONS	DATE	BY

TRACT NO. 2594

LIFT STATION DETAILS

SCALE NOTED
DATE JAN. 1963
DRAWN D.P.R.
TRACED
CHECKED
RIVERSIDE CALIFORNIA
F.B. 495/1

ALBERT A. WEBB ASSOCIATES
CIVIL ENGINEERS
RIVERSIDE CALIFORNIA
R.E. 9876

W.O. 63-3
SHEET
5
OF 5 SHEETS
DWG. NO.
63-313

S-504 7557

SET POLES 2' BEHIND CURB LINE
 VERIFY CURB LOCATION WITH
 GENERAL CONTRACTOR
 (CURB INDICATED AT 38' FROM
 C/P ON PRELIMINARY
 SITE DEV. PLAN)

LA SIGRA Park No 1,
 UNIT No. 2
 (TENTATIVE MAP)

COLLETTE STREET SCHOOL

PRESENT ESTIMATED DEMAND - 50KVA
 ULTIMATE " " " 100KVA

120/240V 1φ

UNDERGROUND SERVICE (7) 700MCM # (1) 850MCM

METERING - (1) 2 1/2" 240V 1φ kWh METER

(1) 300-200/5A CT

(1) TGSF SWITCH

FILE WITH S-504

1" = 100'
 15-14
 16-14
 7/15
 INSTALL
 1 OF 1

J.P.A. E6034-3249

D.W.O. 6034-2040

L.V. 9-1402