

GENERAL NOTES:-

1. Construction shall be in accordance with the City of Riverside, Department of Public Works, Std. Specifications No. 461 and 518. Drawings.
2. It shall be the responsibility of the contractor to clear the right of way in accordance with the provisions of the law as it affects each utility including irrigation lines and appurtenances and at no cost to the City.
3. Joints in vitrified clay pipe sewers shall conform to ASTM Std. C-425-60T or the latest revision thereof.
4. Pipe shall be bedded per Case II, Std. Drawing No. 452, unless otherwise specified on Plan.
5. Location of wyes and laterals to be determined in the field.
6. All stubs and laterals to be constructed in accordance with Std. Dwg. No. 562.

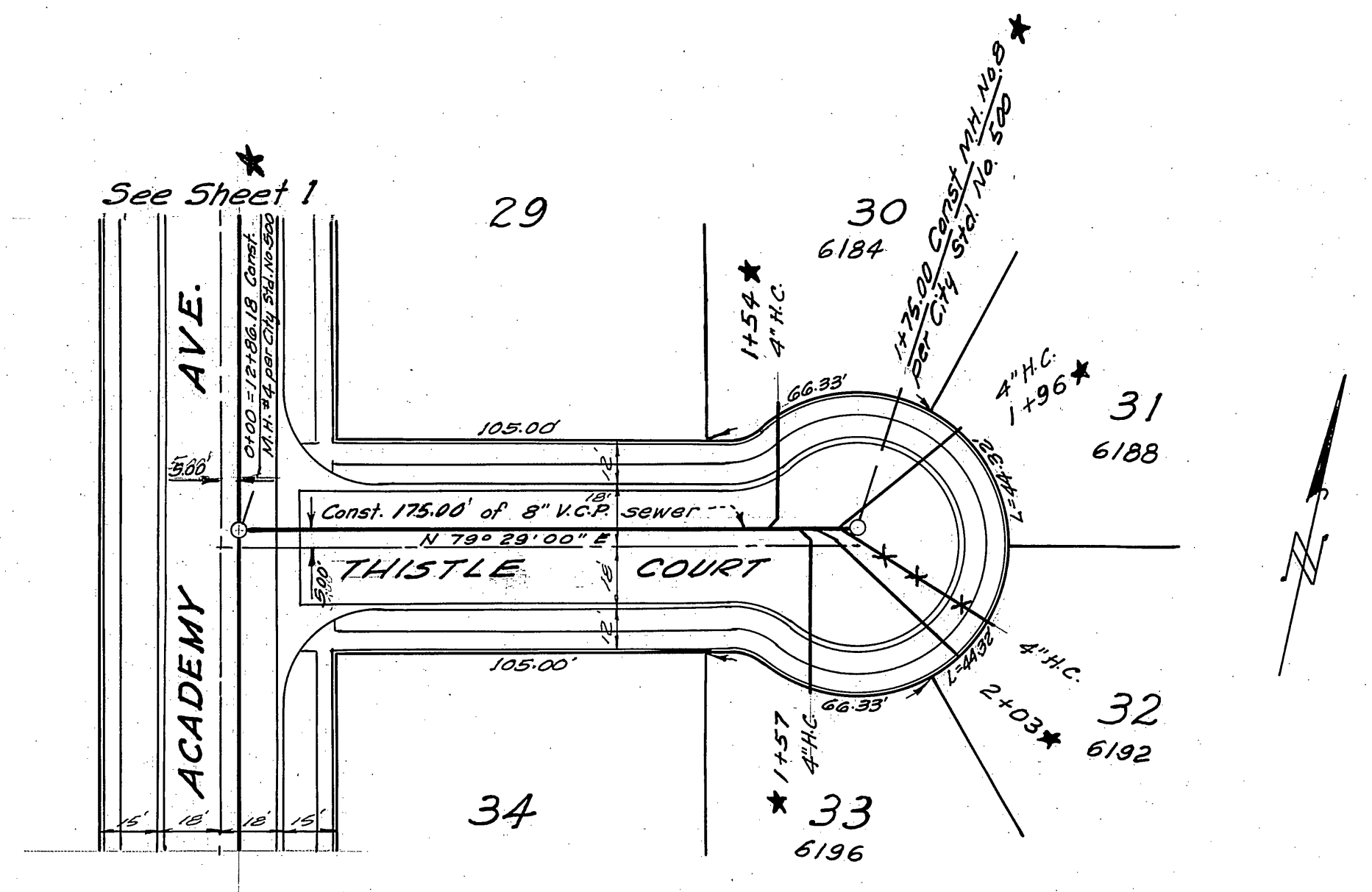
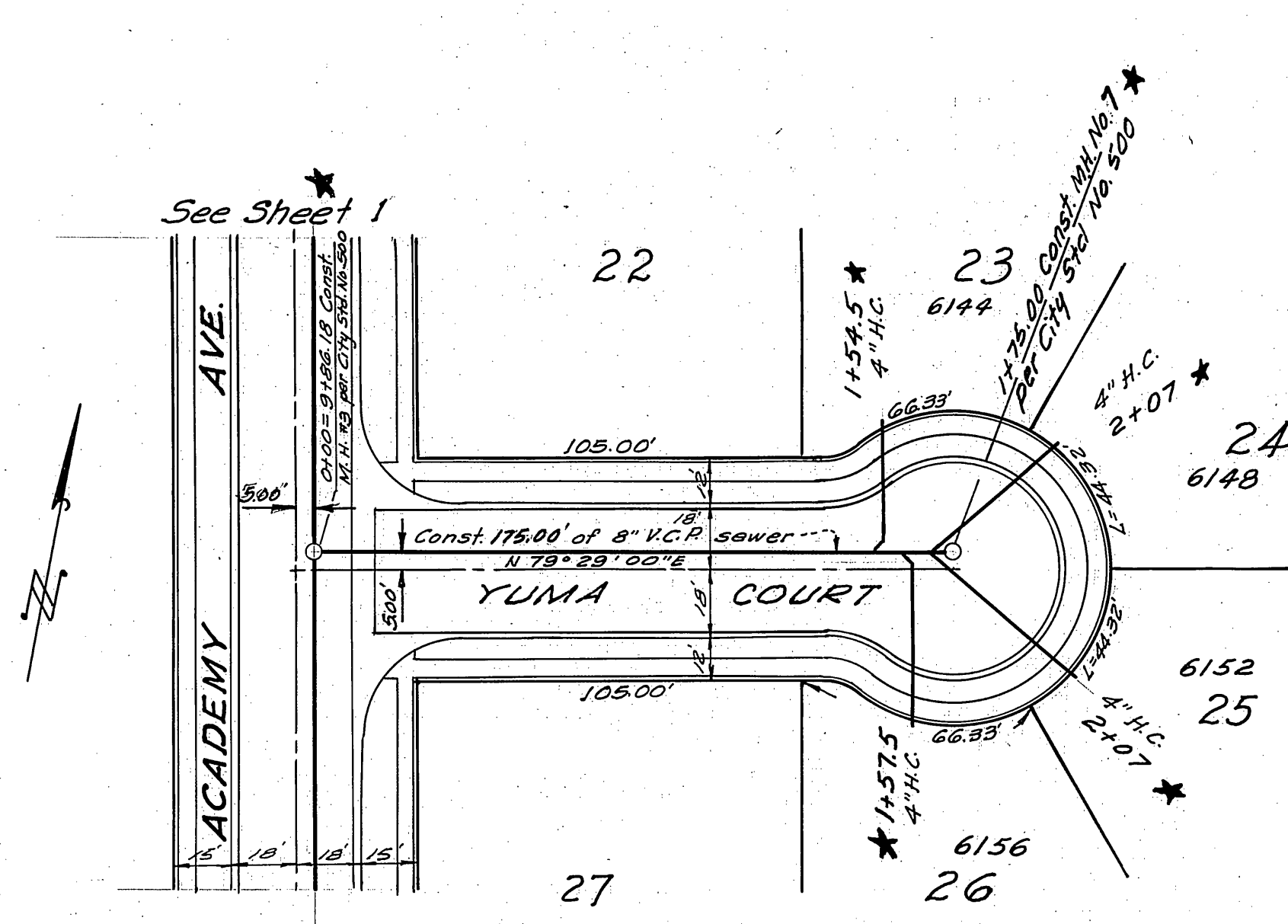
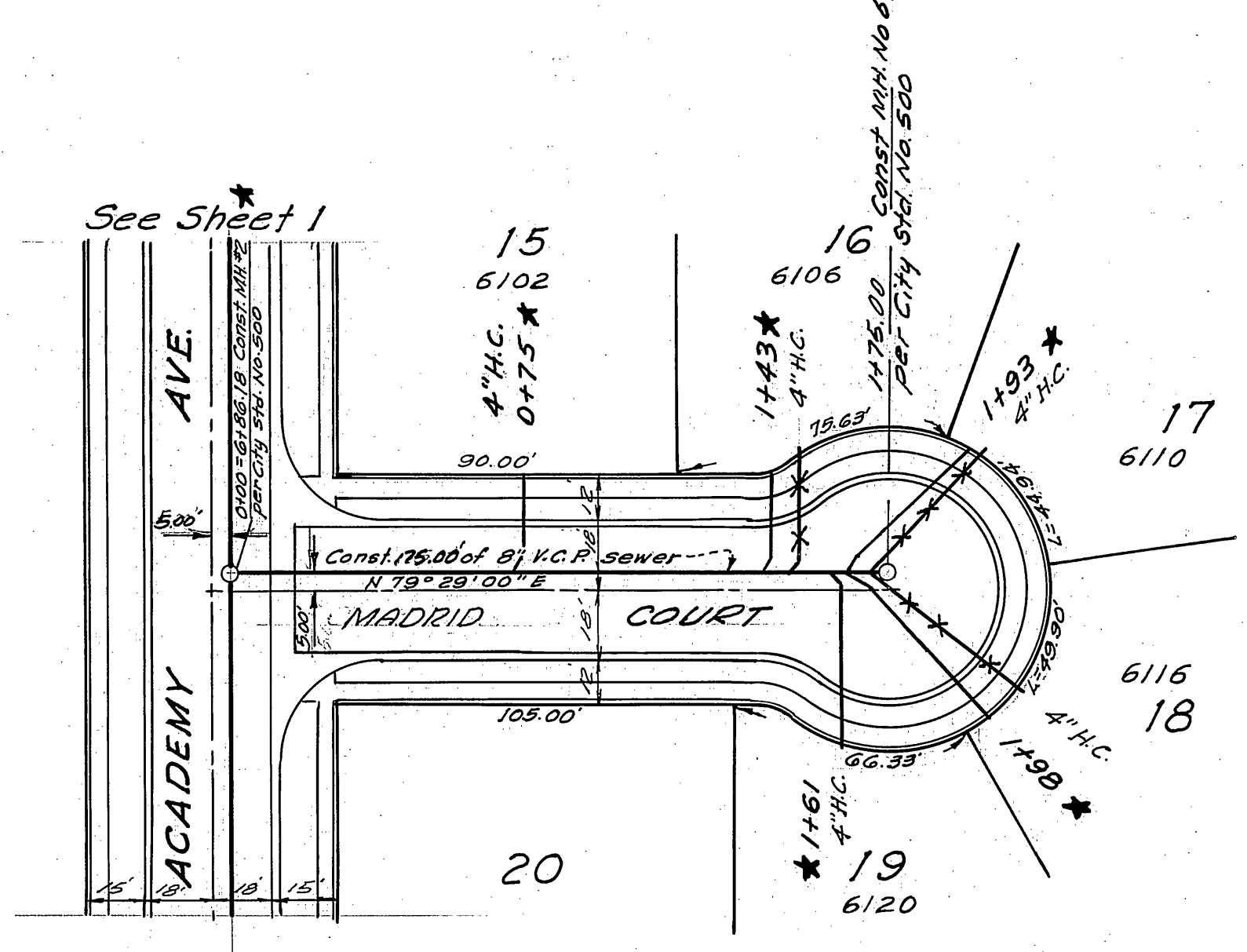
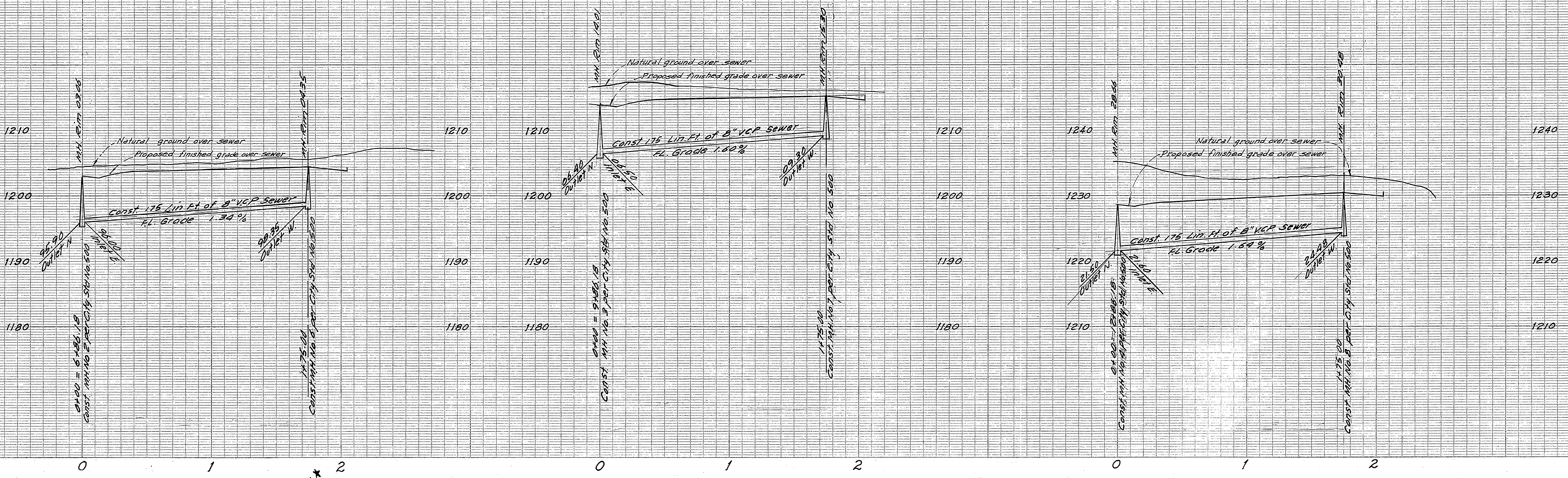
BENCH MARK: R.R. spike in palm tree east side of Alessandro Blvd. Elev. 1248.88

CRAWLEY AND HAWKINS
 ENGINEERS AND SURVEYORS
 RIVERSIDE 6, CALIFORNIA
 APPROVED [Signature] J.C.B.
 RE. NO. 9455 DATE 1-13-65

REVISIONS	
MARK	DESCRIPTION

CITY OF RIVERSIDE, CALIFORNIA
 DEPARTMENT OF PUBLIC WORKS
SEWER PLAN & PROFILE
TRACT NO. 2903
 ACADEMY AVENUE
 HORIZ. SCALE: 1"=40' VERT. SCALE: 1"=8'
 DESIGNED BY: [Signature]
 DRAWN BY: [Signature]
 CHECKED BY: [Signature]
 DATE: 1-11-65
 SHEET 1 OF 3

* AS BUILT 9-10-65 HB



★ AS BUILT 9-13-65 HB

BENCH MARK: R.R. Spike in palm tree east side of Alessandro Blvd. Elev. 1248.88

CRAWLEY AND HAWKINS
 ENGINEERS AND SURVEYORS
 RIVERSIDE 6, CALIFORNIA
 APPROVED: *George O. Crawley* D.F.B. 62
 R.E. No. 9455 DATE: 4-13-64

REVISIONS		
MARK	DATE	DESCRIPTION

CITY OF RIVERSIDE, CALIF.
 DEPARTMENT OF PUBLIC WORKS

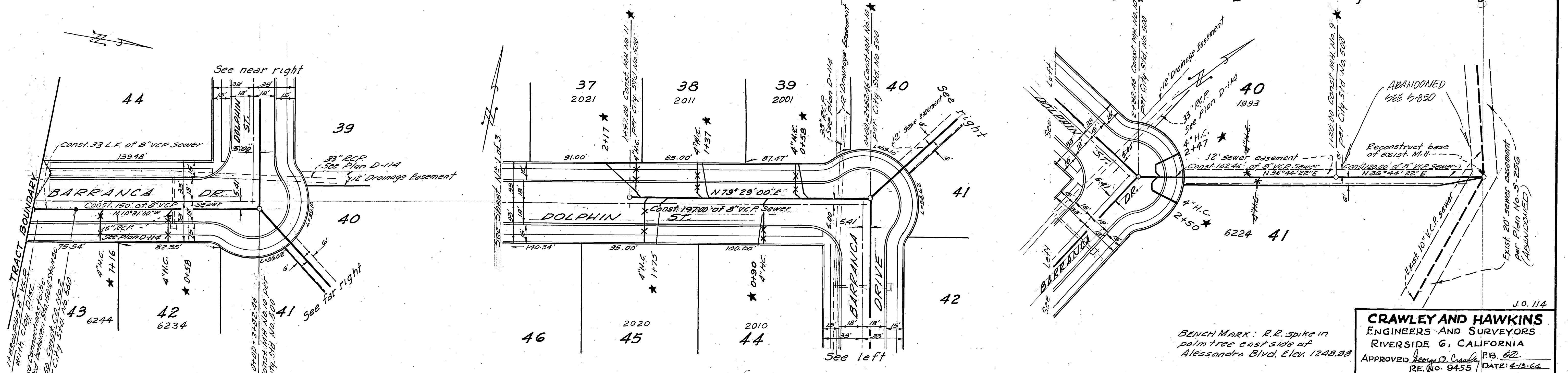
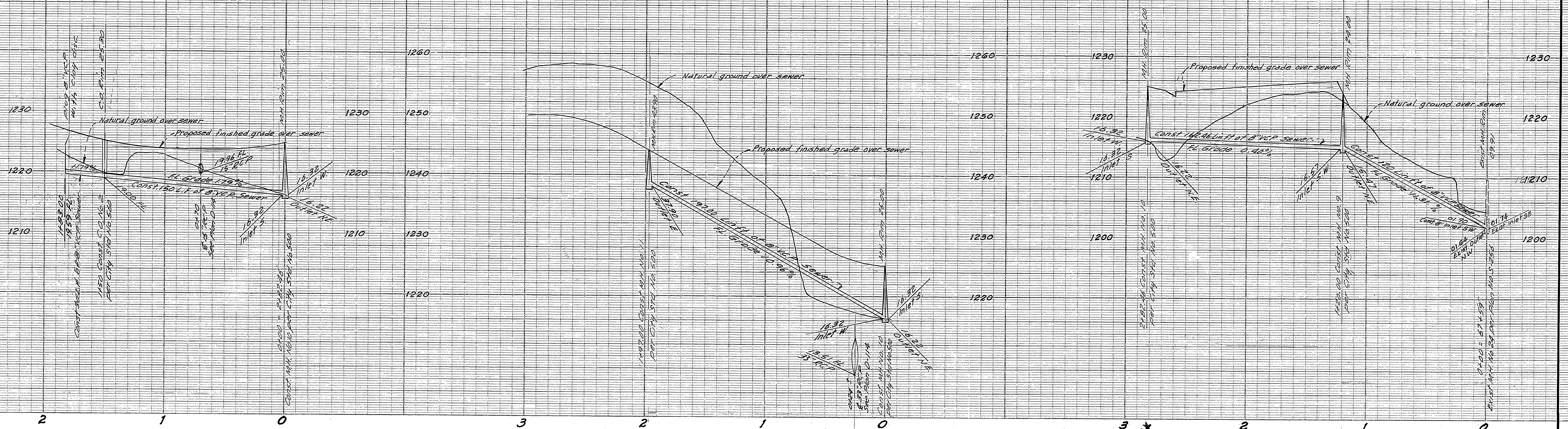
SEWER PLAN & PROFILE
TRACT NO. 2903
 MADRID CT. YUMA CT.
 THISTLE CT.

HORIZ. SCALE: 1"=40' VERT. SCALE: 1"=8'

DESIGNED BY: *William D. Jordan*
 DRAWN BY: *Johnantush*
 CHECKED BY: *Johnantush*
 DATE: 1-11-65

5-547
 2 3

J.O. 114



BENCH MARK: R.R. spike in palm tree east side of Alessandro Blvd. Elev. 1248.88

CRAWLEY AND HAWKINS
 ENGINEERS AND SURVEYORS
 RIVERSIDE 6, CALIFORNIA
 APPROVED *George O. Crawley* R.E. 62
 RE. No. 9455 / DATE: 4-13-64

REVISIONS		
MARK	DATE	DESCRIPTION

CITY OF RIVERSIDE, CALIFORNIA
 DEPARTMENT OF PUBLIC WORKS
SEWER PLAN & PROFILE
TRACT NO. 2903
 BARRANCA DR., DOLPHIN ST.
 SEWER EASEMENT
 Horiz. Scale: 1"=40' Vert. Scale: 1"=8'

DESIGNED BY: *William D. Gardner*
 DRAWN BY: *AR. Egan*
 CHECKED BY: *AS. Egan*
 DATE: 1-11-65

★ AS BUILT 9-16-65 H.B.

J.O. 114