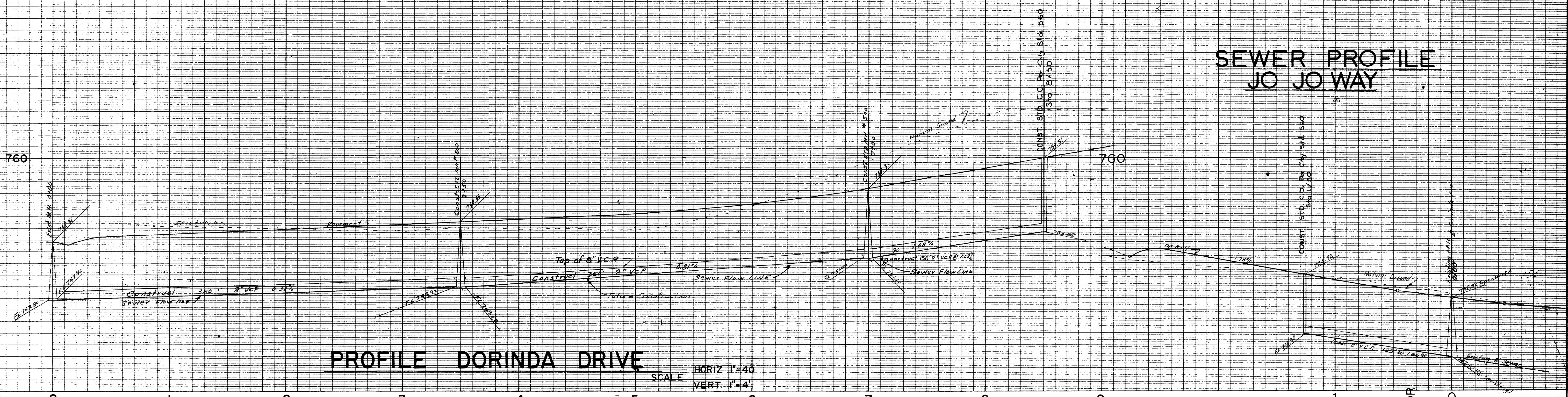


SEWER PROFILE JO JO WAY

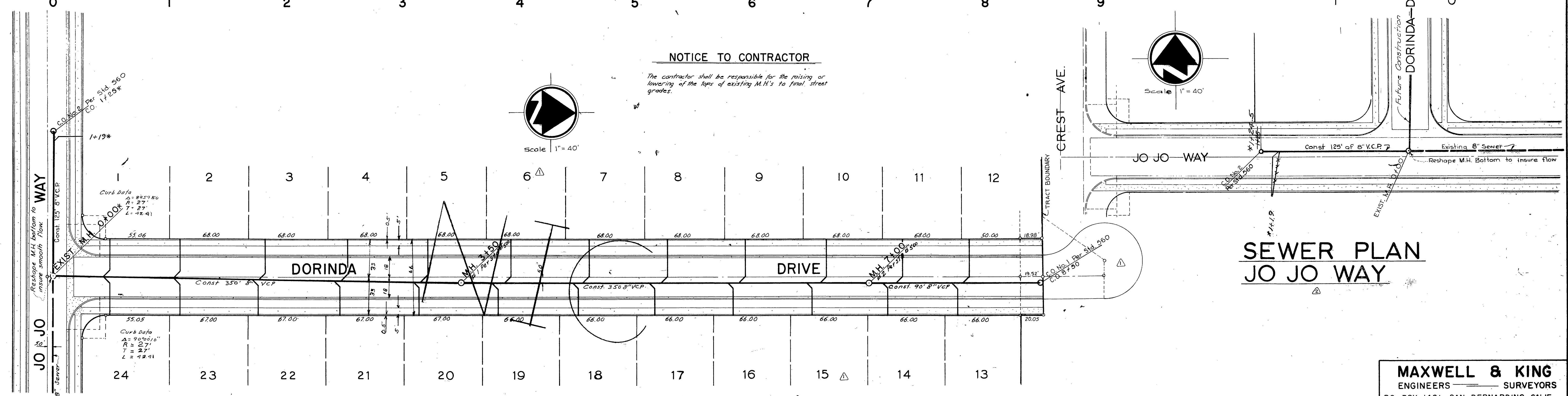
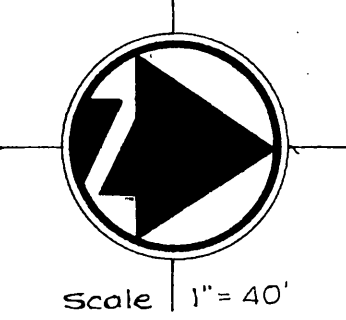


PROFILE DORINDA DRIVE

SCALE HORIZ 1"=40
VERT 1"=4'

NOTICE TO CONTRACTOR

The contractor shall be responsible for the raising or lowering of the tops of existing M.H.'s to final street grades.



SEWER PLAN JO JO WAY

GENERAL NOTES

1. Construction shall be in accordance with the City of Riverside Department of Public Works Standard Specifications No. 461 and Standard Drawings.
2. It shall be the responsibility of the contractor to clear the right of way in accordance with the provisions of the law as it affects each utility including irrigation lines and appurtenances and of no cost to the City.
3. Joints in vitrified clay pipe sewers shall conform to ASTM Standards C-425-60T, or the latest revision thereof.
4. Pipe shall be bedded per Case 1 Std. Dwg. No. 452, unless otherwise specified on plan.
5. Location of Wyes and laterals to be determined in the field.
6. All stubs and laterals to be constructed in accordance with Std. Dwg. No. 562. Stubs shall be plugged and capped.
7. Bench mark at Jo Jo Way & Crest Ave. (Nail & Flash). Elev. 757.35

* AS BUILT 5-8-67

MAXWELL & KING
ENGINEERS SURVEYORS
P.O. BOX 1421 SAN BERNARDINO, CALIF

APPROVED *Charles E. King* DATE *May 17, 1966*
R.E. 13386

CITY OF RIVERSIDE, CALIFORNIA
DEPARTMENT OF PUBLIC WORKS

REVISIONS		
MARK	DATE	DESCRIPTION
△	2-28-66	Added Cull-de-Sac
△	3-3-66	Changed lot Numbers CEE Added Sewer lines Profile on Jo Jo Way 8665, Ham CHANGED TO NO. 3518 TO TR. 3549
△	4-21-66	Bob S. Hays, C.E.M.
△	10-31-66	Show work to be done under Conditional Use Permit No. C-14-656 C.E.M.

JOB NO. FILE NO.
**SEWER PLAN & PROFILE
JO JO WAY AND
DORINDA DRIVE**
TRACT NO. 3540

DESIGNED BY	SUBMITTED BY <i>William D. Hurdan</i>	APPROVED BY <i>Charles E. King</i>	PROJ. NO.
DRAWN BY	PARK DEPT. TRAFFIC DIV.	DIRECTOR OF PUBLIC WORKS	S-549-A
CHECKED BY <i>R.S.</i>	RECOMMENDED BY <i>William D. Hurdan</i>	DATE <i>2-9-65</i>	SHEET 1 OF 1