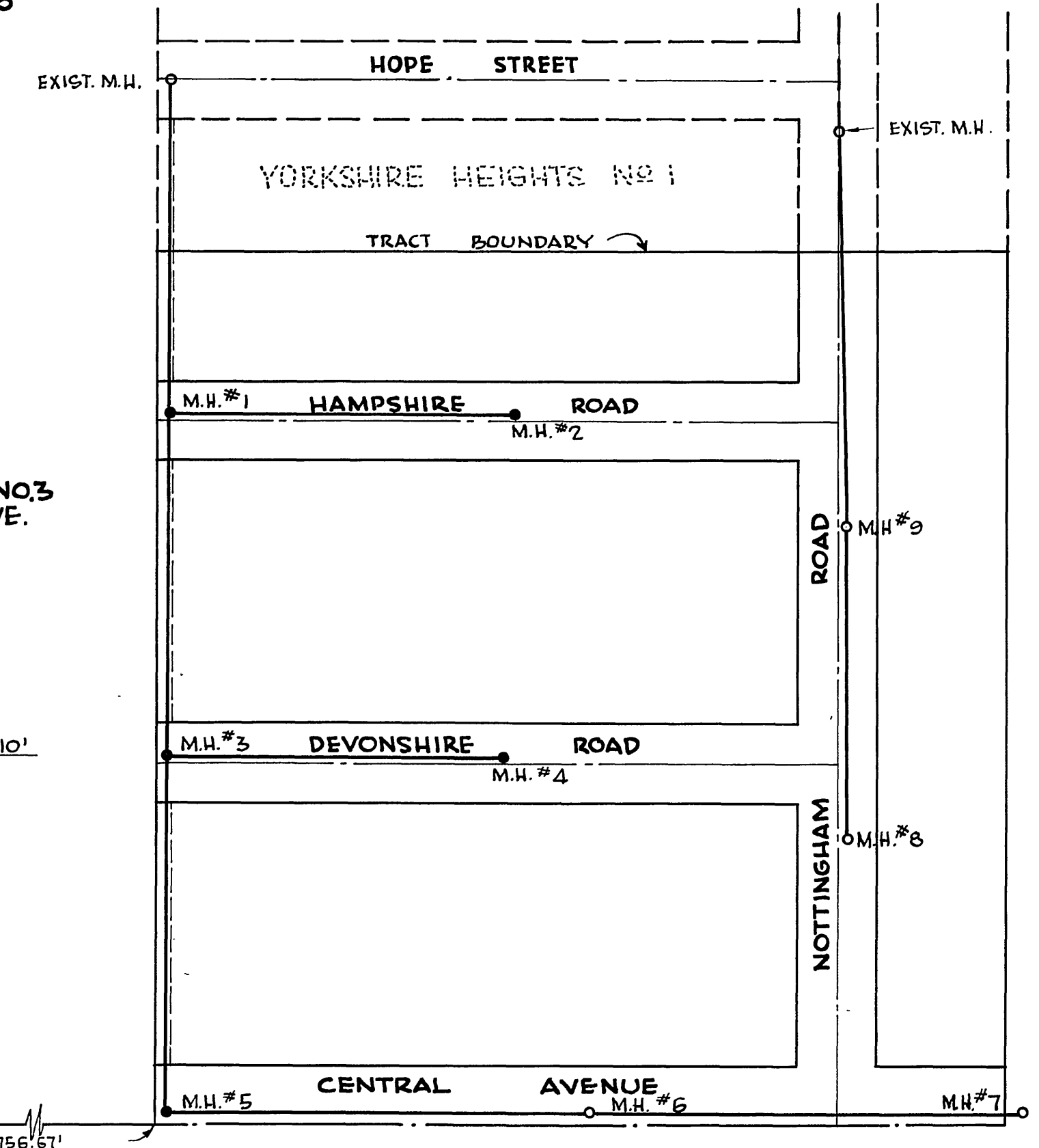
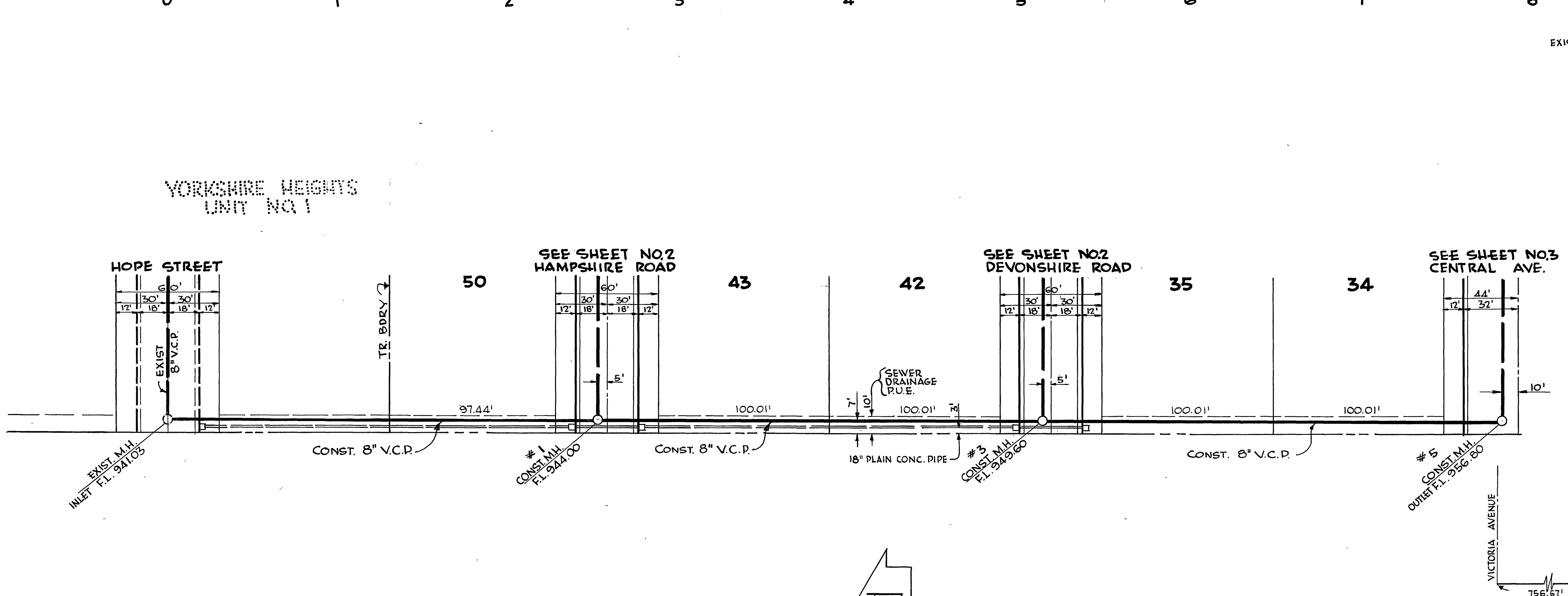
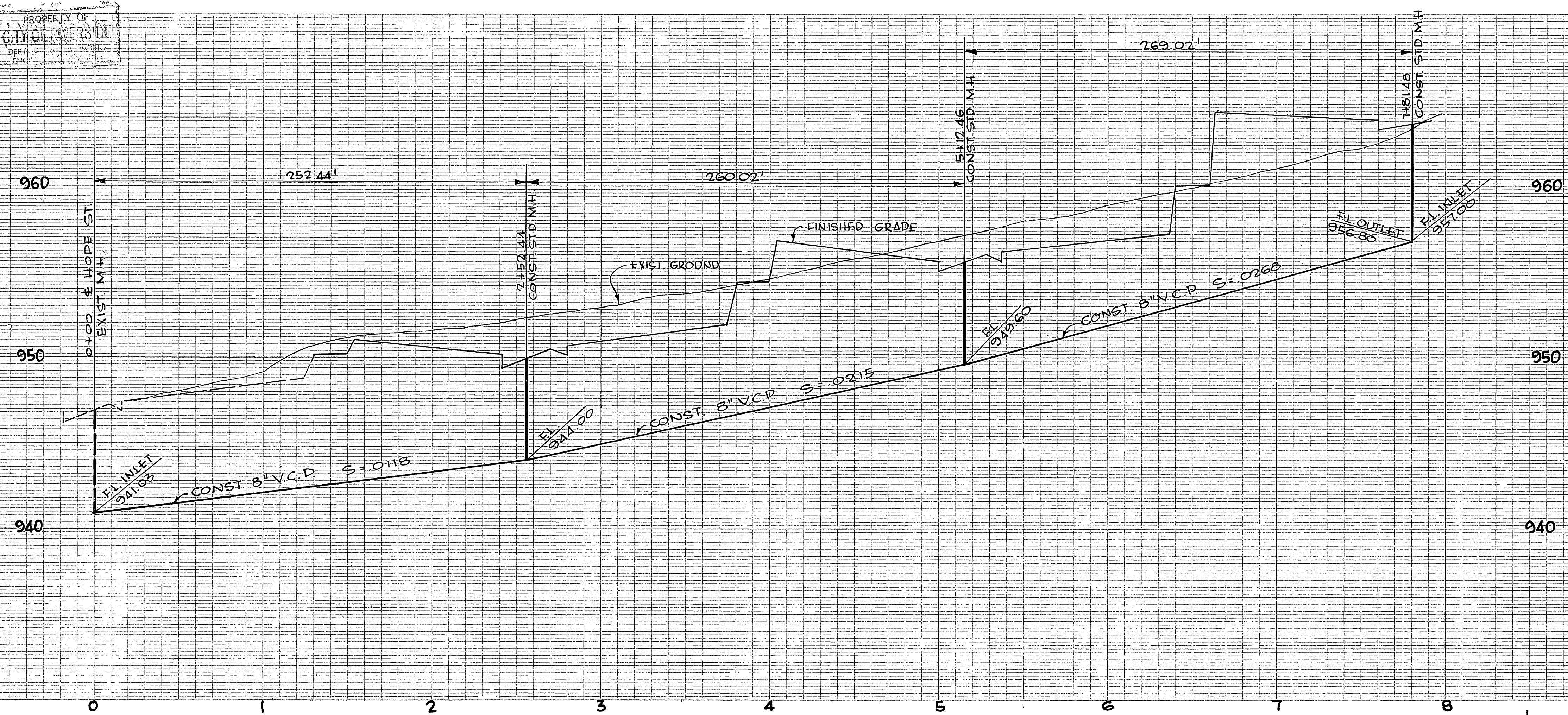


PROPERTY OF  
CITY OF RIVERSIDE  
DEPT. OF PUBLIC WORKS  
ENGINEERING DIVISION

PROPERTY OF  
CITY OF RIVERSIDE  
DEPT. OF PUBLIC WORKS  
ENGINEERING DIVISION



PROPERTY OF  
CITY OF RIVERSIDE  
DEPT. OF PUBLIC WORKS  
ENGINEERING DIVISION

**BENCH MARK**  
TOP OF 2" I.P. (GAPPED) AT @ INT.  
VICTORIA & CENTRAL, PER CITY  
F.B. 493/76. ELEV. 947.508

LOCATION MAP - YORKSHIRE HEIGHTS NO 2  
SCALE - 1"=100'

ESTIMATED SEWER QUANTITIES		
8" V.C.P. SEWER	2,506	L.F.
4" V.C.P. LATERALS	1,095	L.F.
MANHOLES	9	EA.

**SEWER PLAN & PROFILE  
OFF SITE**  
YORKSHIRE HEIGHTS UNIT 2  
HORIZ. SCALE - 1"=40' VERT. SCALE - 1"=4'  
APPROVED BY *[Signature]*  
DIRECTOR OF PUBLIC WORKS  
DATE *Sept. 17, 1976*  
5-55  
SHEET 1 OF 3

PROPERTY OF  
CITY OF RIVERSIDE  
DEPT. OF PUBLIC WORKS  
ENGINEERING DIVISION

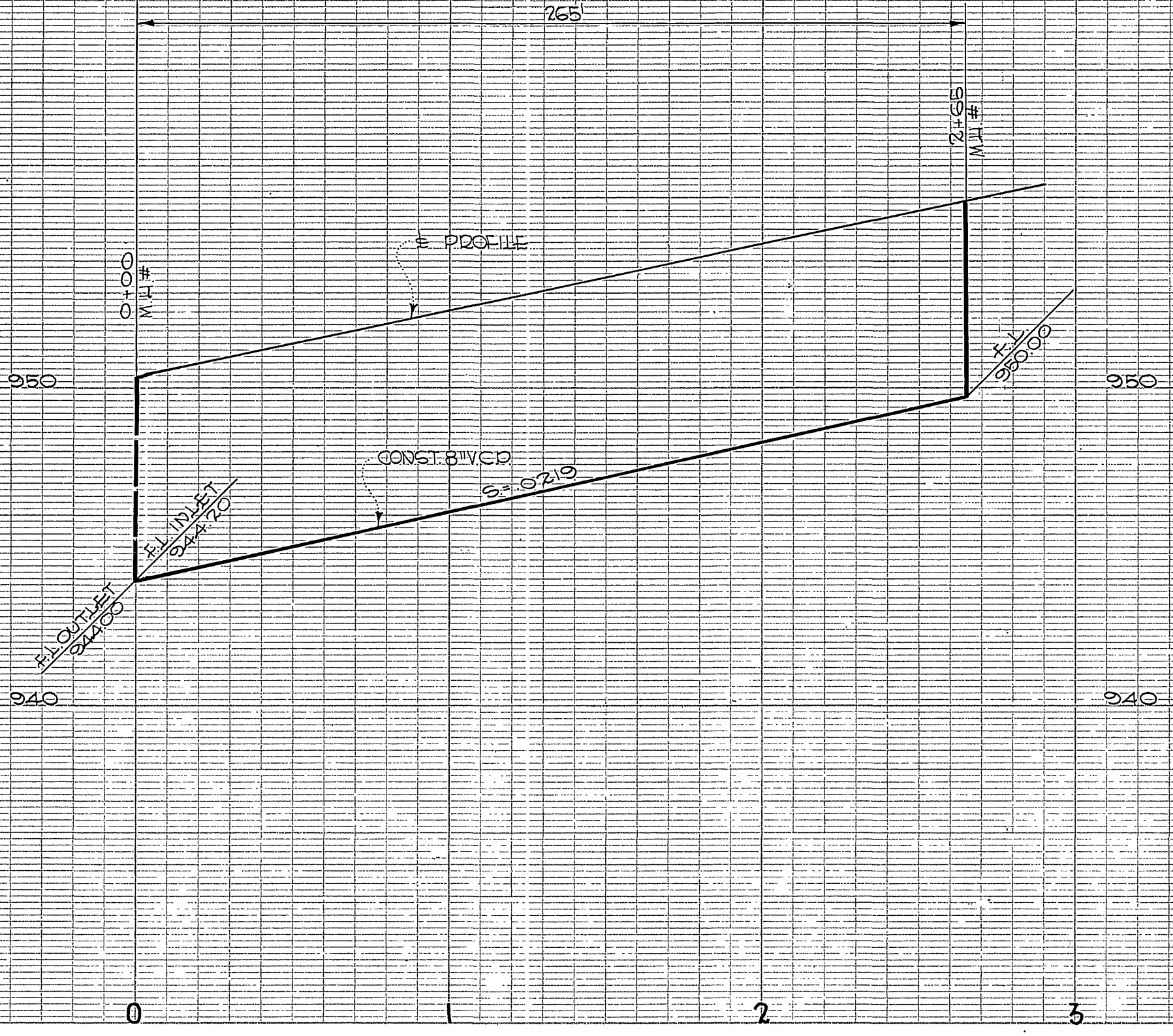
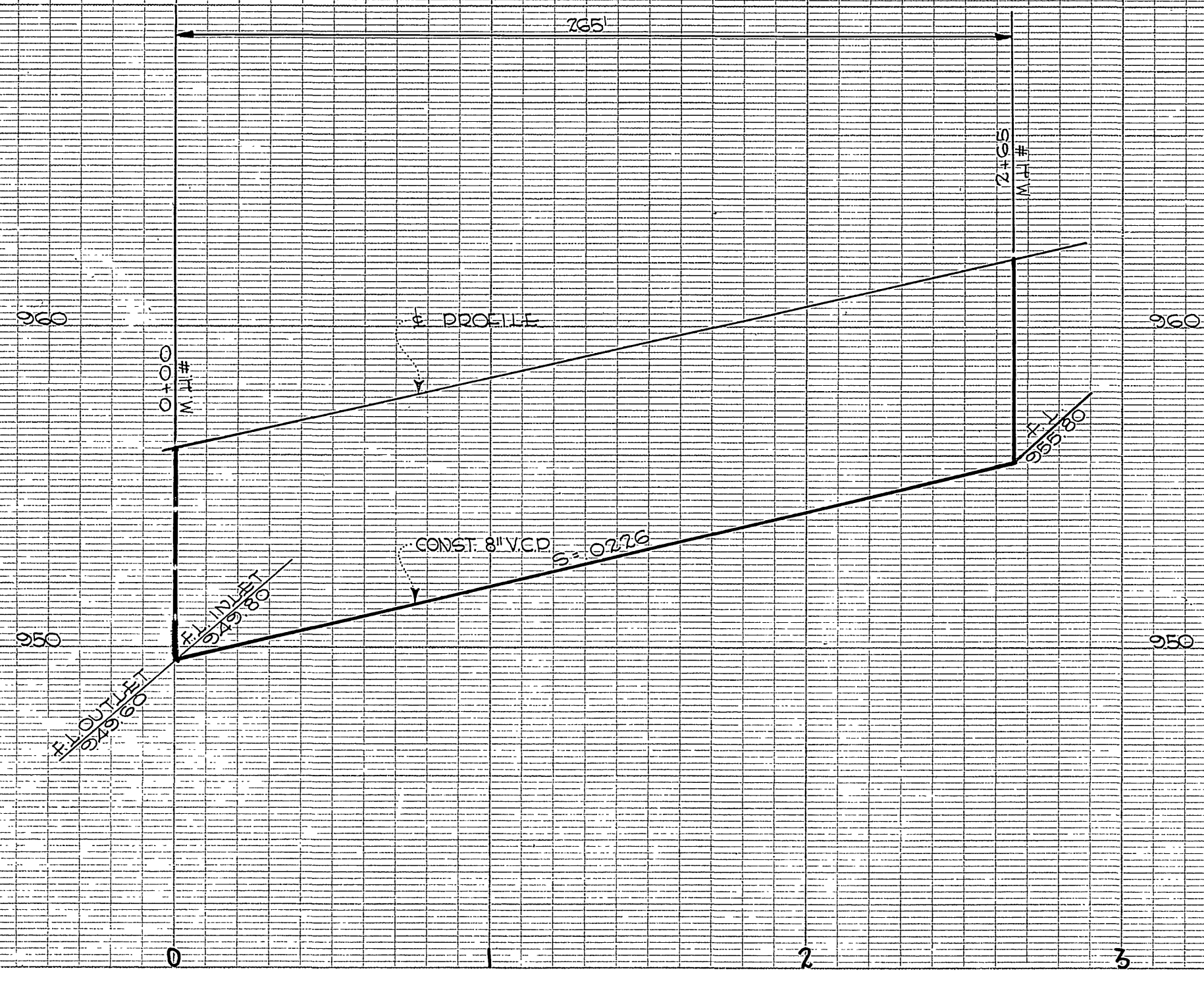


PROPERTY OF  
CITY OF RIVERSIDE  
DEPT. OF PUBLIC WORKS  
ENGINEERING DIVISION

MADE IN REPLY TO INQUIRY LETTER DATED  
11/11/56  
SANTA ANA, CALIFORNIA  
ENGINEERING DIVISION

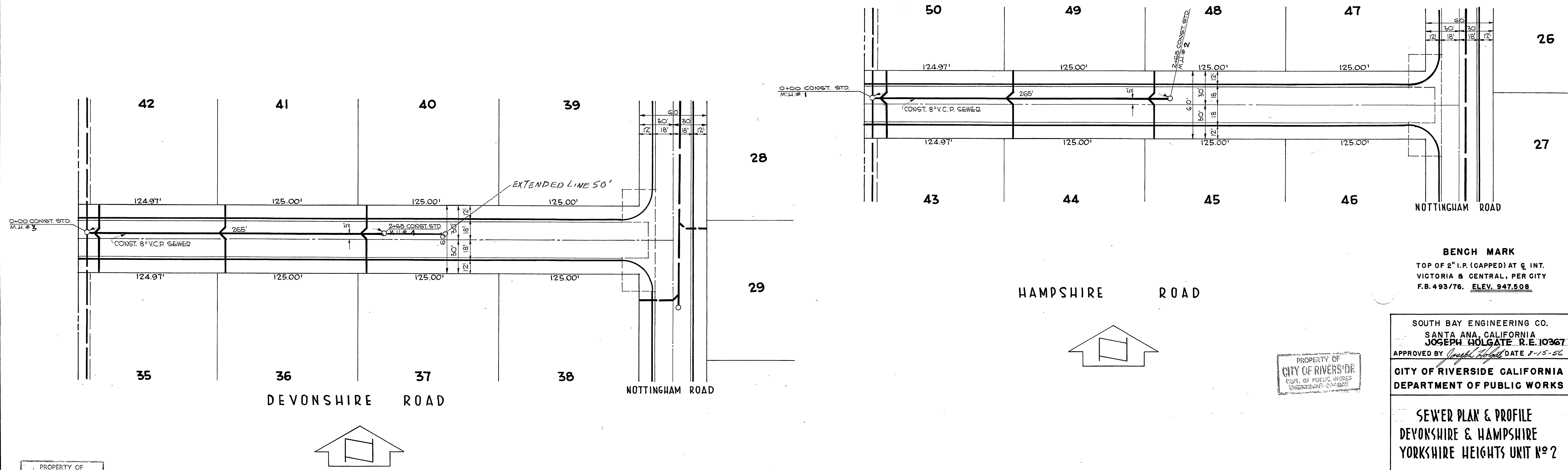
MADE IN REPLY TO INQUIRY LETTER DATED  
11/11/56  
SANTA ANA, CALIFORNIA  
ENGINEERING DIVISION

PROPERTY OF  
CITY OF RIVERSIDE  
DEPT. OF PUBLIC WORKS  
ENGINEERING DIVISION



SCALES  
PLAN: 1"=40'  
HORIZ.: 1"=40'  
PROFILE: 1"=4'

NOTE:  
HOUSE CONNECTIONS ARE TO BE  
LOCATED IN THE FIELD.



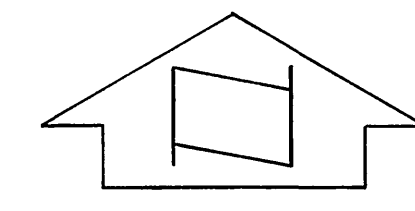
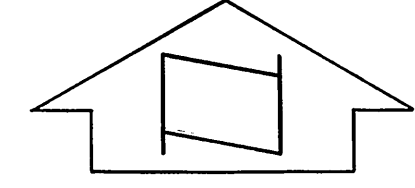
BENCH MARK  
TOP OF 2" I.P. (CAPPED) AT Q. INT.  
VICTORIA & CENTRAL, PER CITY  
F.B. 493/76. ELEV. 947.508

SOUTH BAY ENGINEERING CO.  
SANTA ANA, CALIFORNIA  
JOSEPH HOLGATE R.E. 10367  
APPROVED BY *Joseph Holgate* DATE 8-15-56  
CITY OF RIVERSIDE CALIFORNIA  
DEPARTMENT OF PUBLIC WORKS

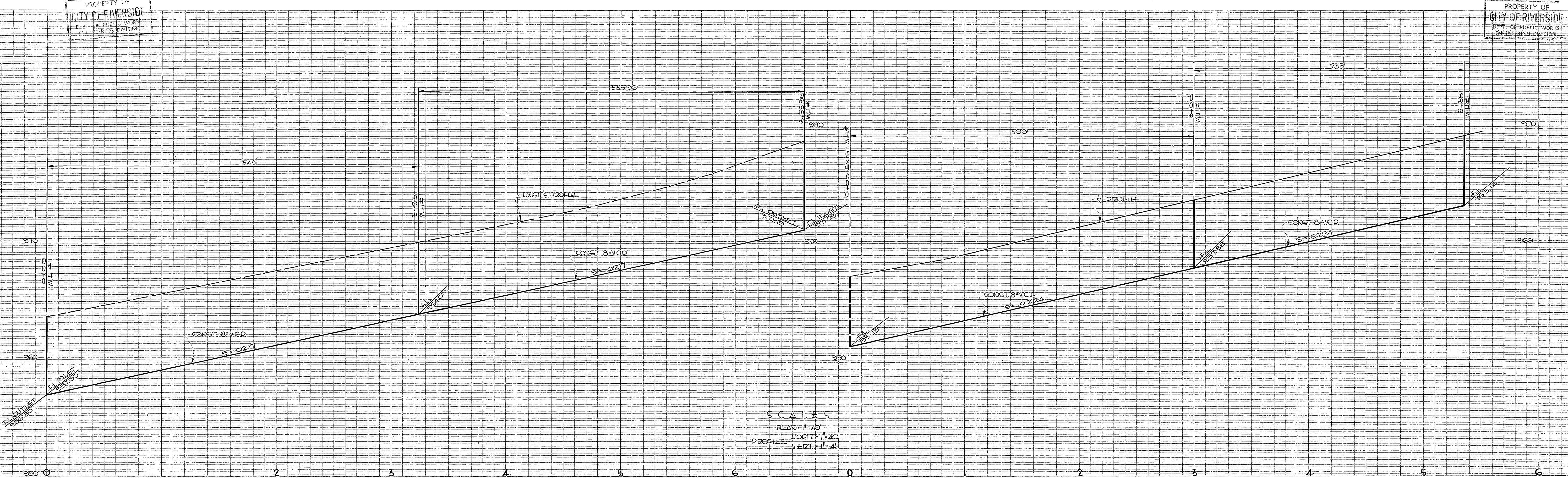
SEWER PLAN & PROFILE  
DEVONSHIRE & HAMPSHIRE  
YORKSHIRE HEIGHTS UNIT NO 2

APPROVED BY *Joseph Holgate*  
DIRECTOR OF PUBLIC WORKS  
DATE 8-17-56  
S-55  
SHEET 2 OF 3

PROPERTY OF  
CITY OF RIVERSIDE  
DEPT. OF PUBLIC WORKS  
ENGINEERING DIVISION

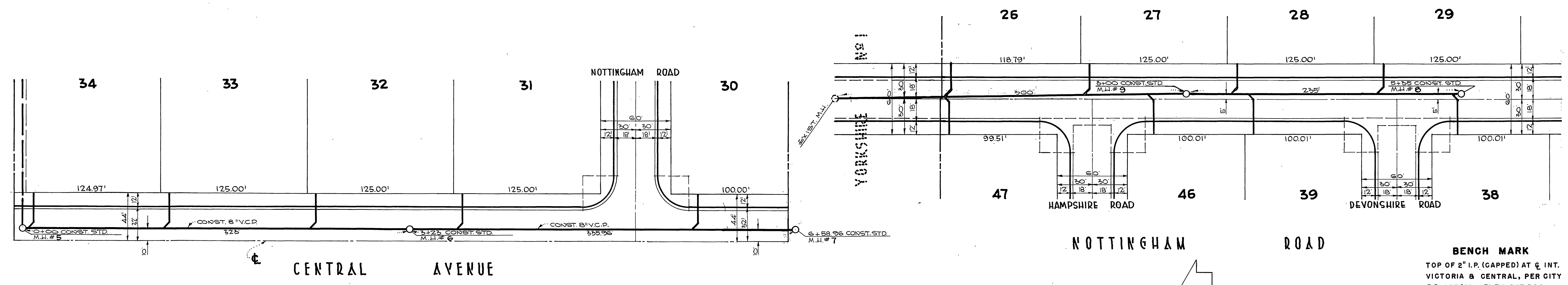






SCALES  
 PLAN: 1"=40'  
 PROFILE: HORIZ: 1"=40'  
 VERT: 1"=4'

NOTE:  
 HOUSE CONNECTIONS ARE TO BE  
 LOCATED IN THE FIELD.



BENCH MARK  
 TOP OF 2" I.P. (CAPPED) AT @ INT.  
 VICTORIA & CENTRAL, PER CITY  
 F.B. 493/76. ELEV. 947.508