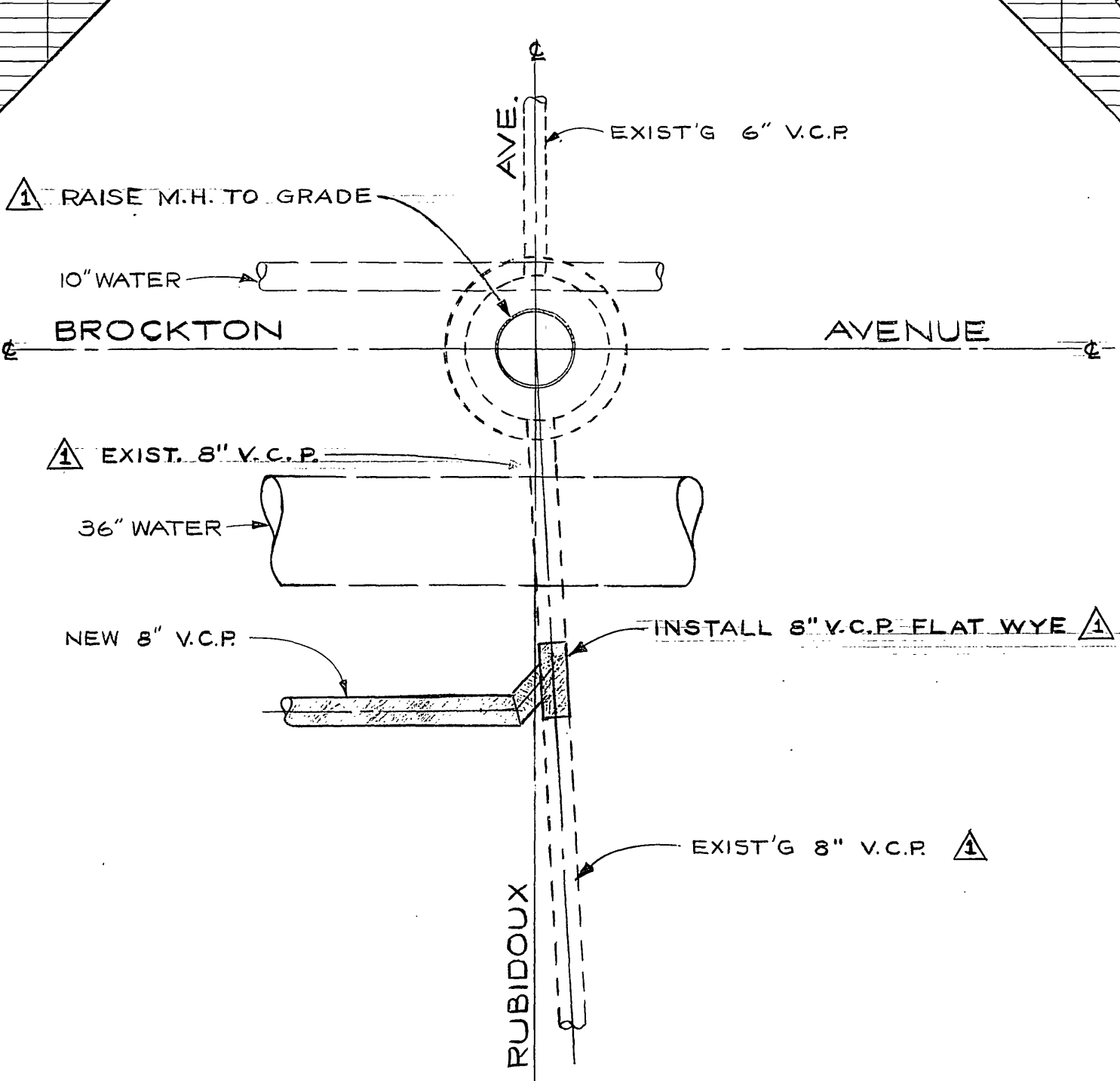
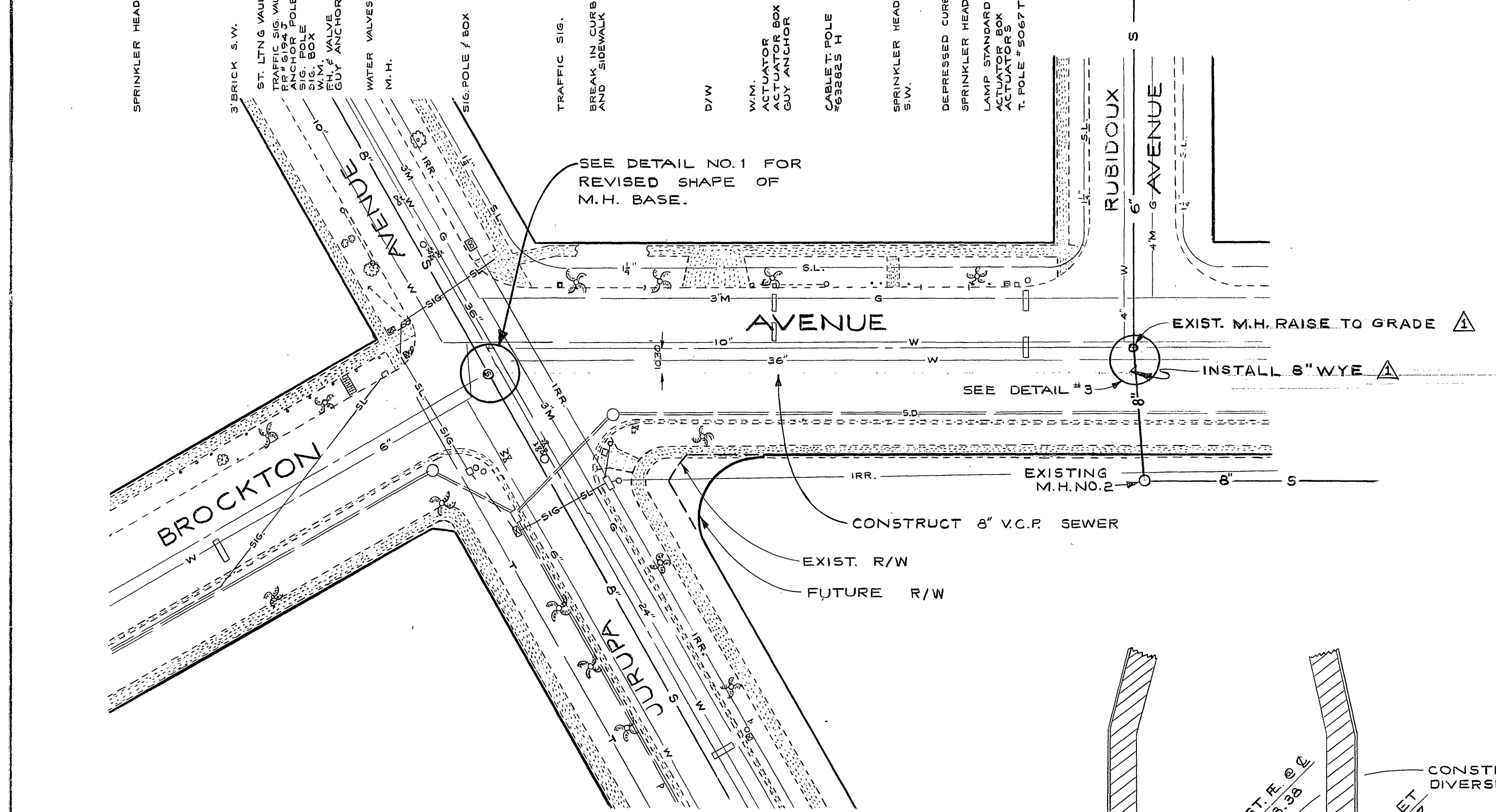
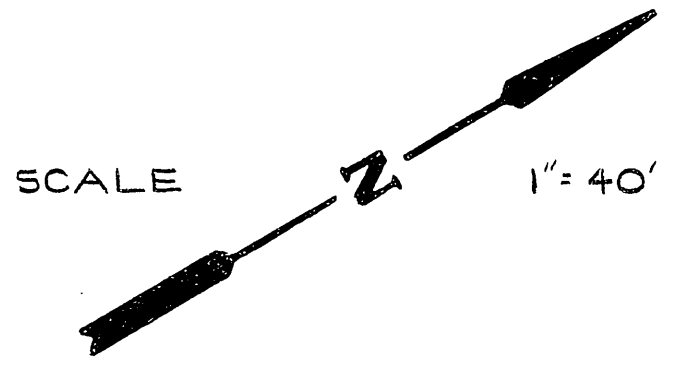


B.M. ELEV 826.19'  
 S.F.L. IN E. CURB OF  
 BROCKTON, 15' S'LY OF  
 SO. E. JURUPA.  
 F.B.  
 5-9/40-50

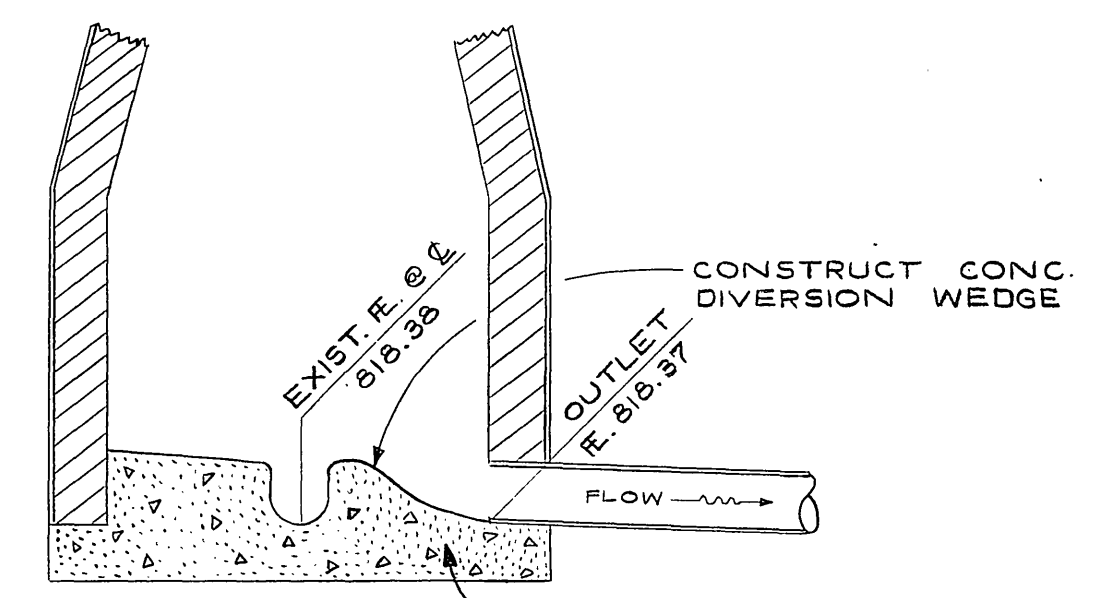
B.M. ELEV. 835.96'  
 S.F.L. IN E. CURB OF  
 MAGNOLIA, 10' S. OF  
 SO. E. OF JURUPA.  
 F.B.  
 5-9/40-50



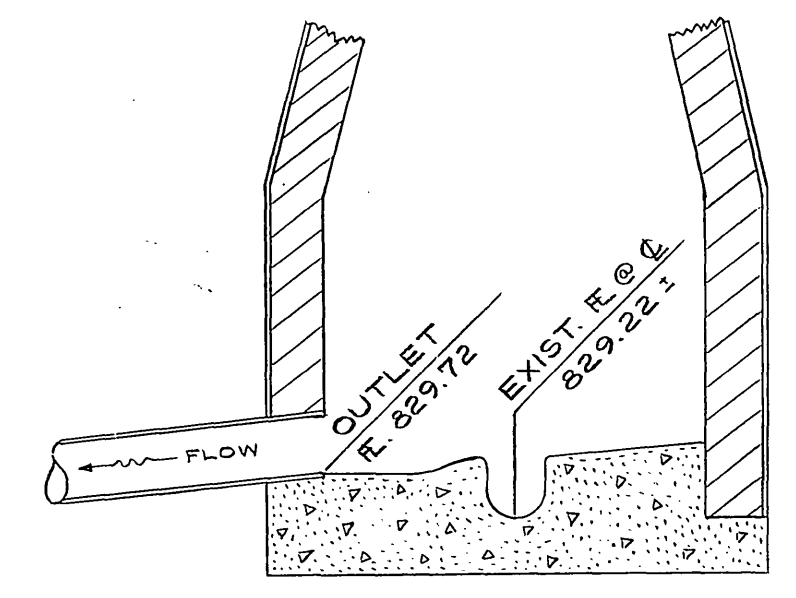
DETAIL #3  
 AT RUBIDOUX & BROCKTON AVE.  
 SCALE - 1" = 4'



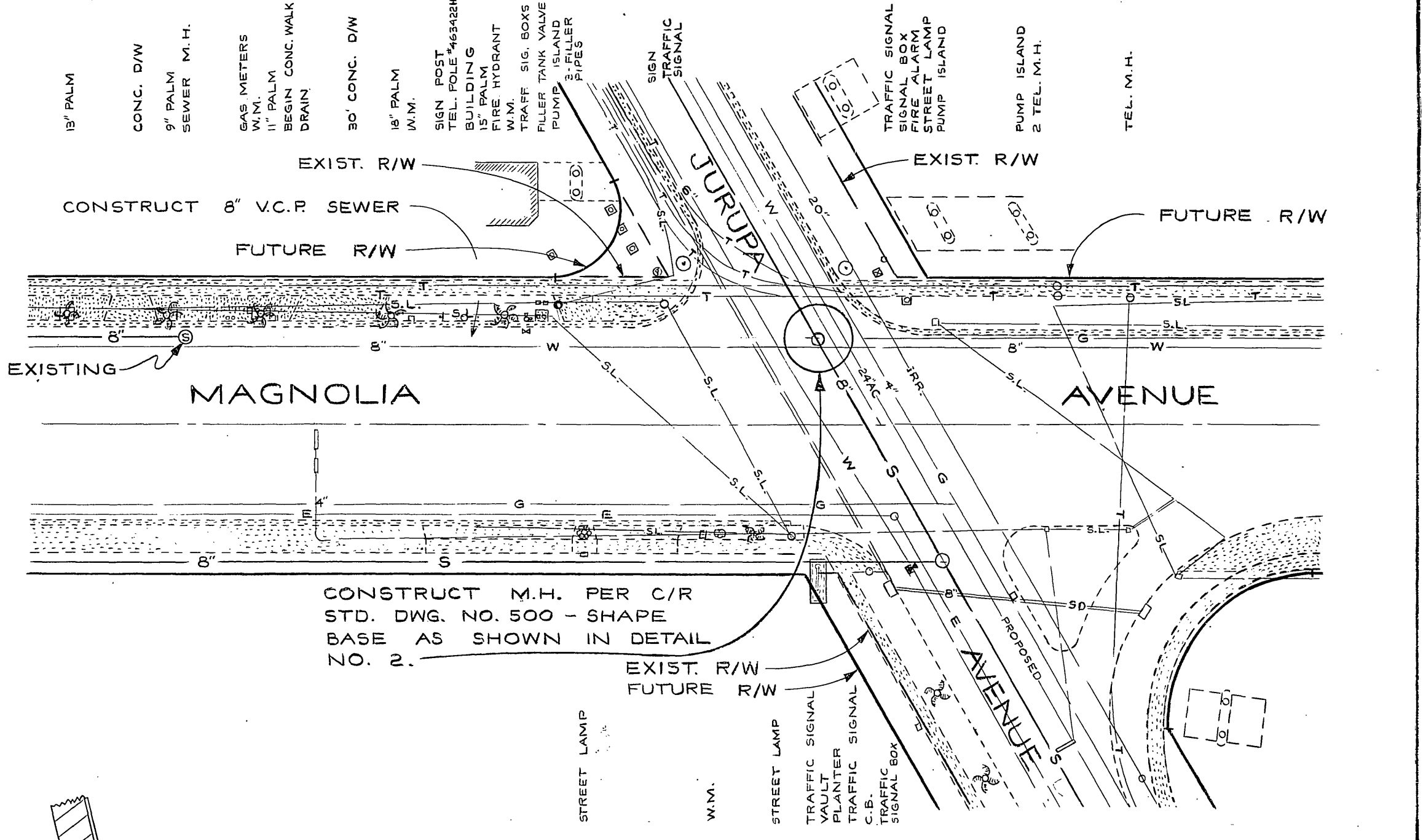
- SPRINKLER HEAD
- 3 BRICK S.W.
- ST. LITING VAULT
- TRAFFIC SIG. VAULT
- ANCHORED POLE
- SIG. BOX
- SIG. BOX
- TRAFFIC SIG. BOX
- TRAFFIC SIG. BOX
- 4.9" x 2.6" C.B.
- WATER VALVES
- IRR. WEIR BOX
- C.B.
- S.D. MANHOLE
- SIGN
- ACTUATOR
- ACTUATOR BOX
- SIGN



DETAIL #1  
 M.H. AT BROCKTON & JURUPA AVE.  
 NO SCALE



DETAIL #2  
 M.H. AT MAGNOLIA & JURUPA AVE.  
 NO SCALE



CONSTRUCT M.H. PER C/R  
 STD. DWG. NO. 500 - SHAPE  
 BASE AS SHOWN IN DETAIL  
 NO. 2.

REVISIONS		
MARK	DATE	DESCRIPTION
△	6/7/65	REVISED DETAILS AT INTERSECTION OF BROCKTON AND RUBIDOUX AVENUES. <i>Boh, CEE, AHJ</i>

CITY OF RIVERSIDE, CALIFORNIA  
 DEPARTMENT OF PUBLIC WORKS

**RUBIDOUX TRUNK  
 SEWER RELIEF**

1. BROCKTON AVE. & JURUPA AVE.  
 2. MAGNOLIA AVE. & JURUPA AVE.

APPROVED BY: *[Signature]*  
 PROJECT NO. 5075  
 S-607  
 DATE 3-19-65  
 SHEET 1 OF 1

PROFILE		PLAN	
NO.	DATE	NO.	DATE