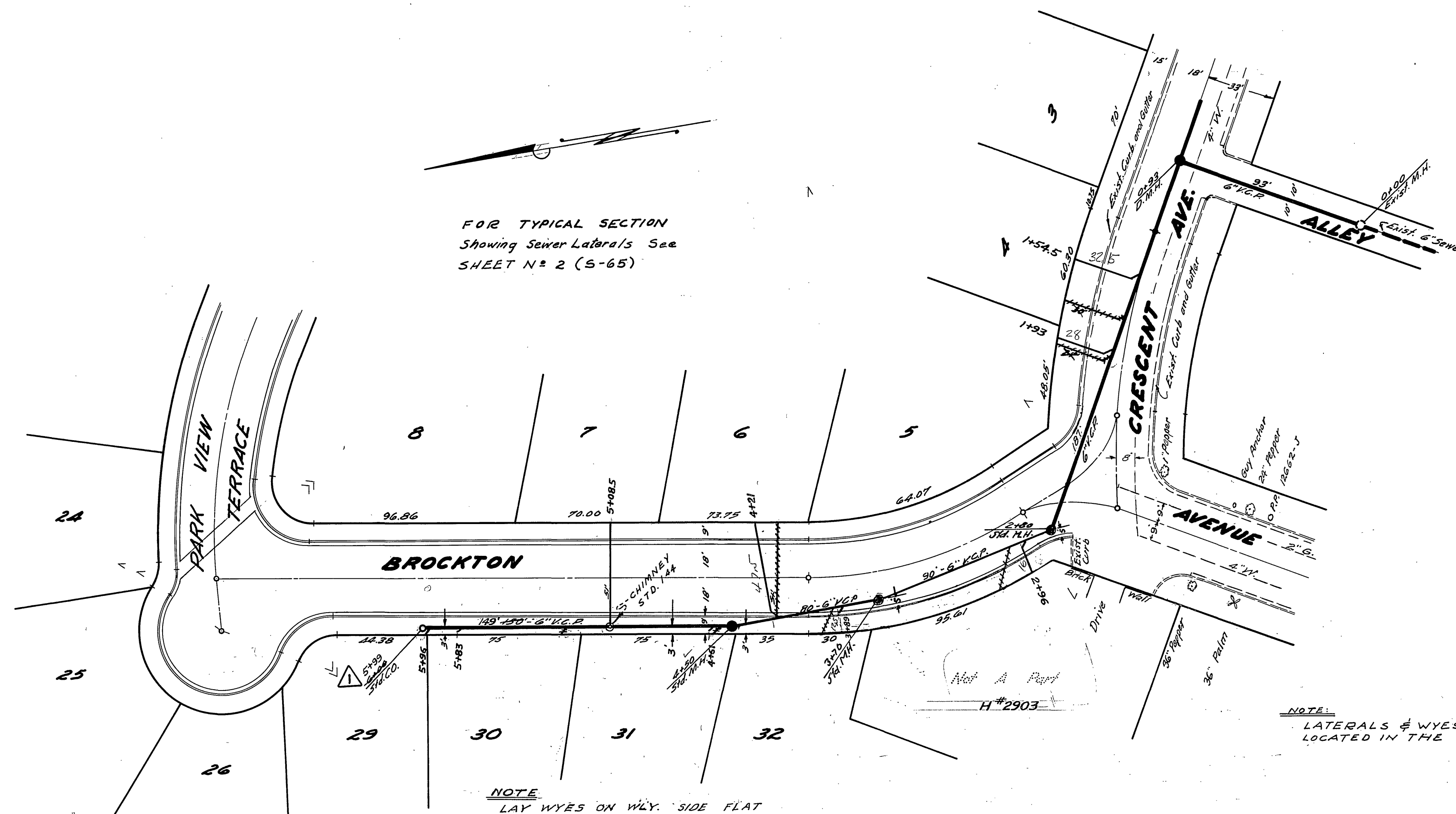


- BENCH MARKS -

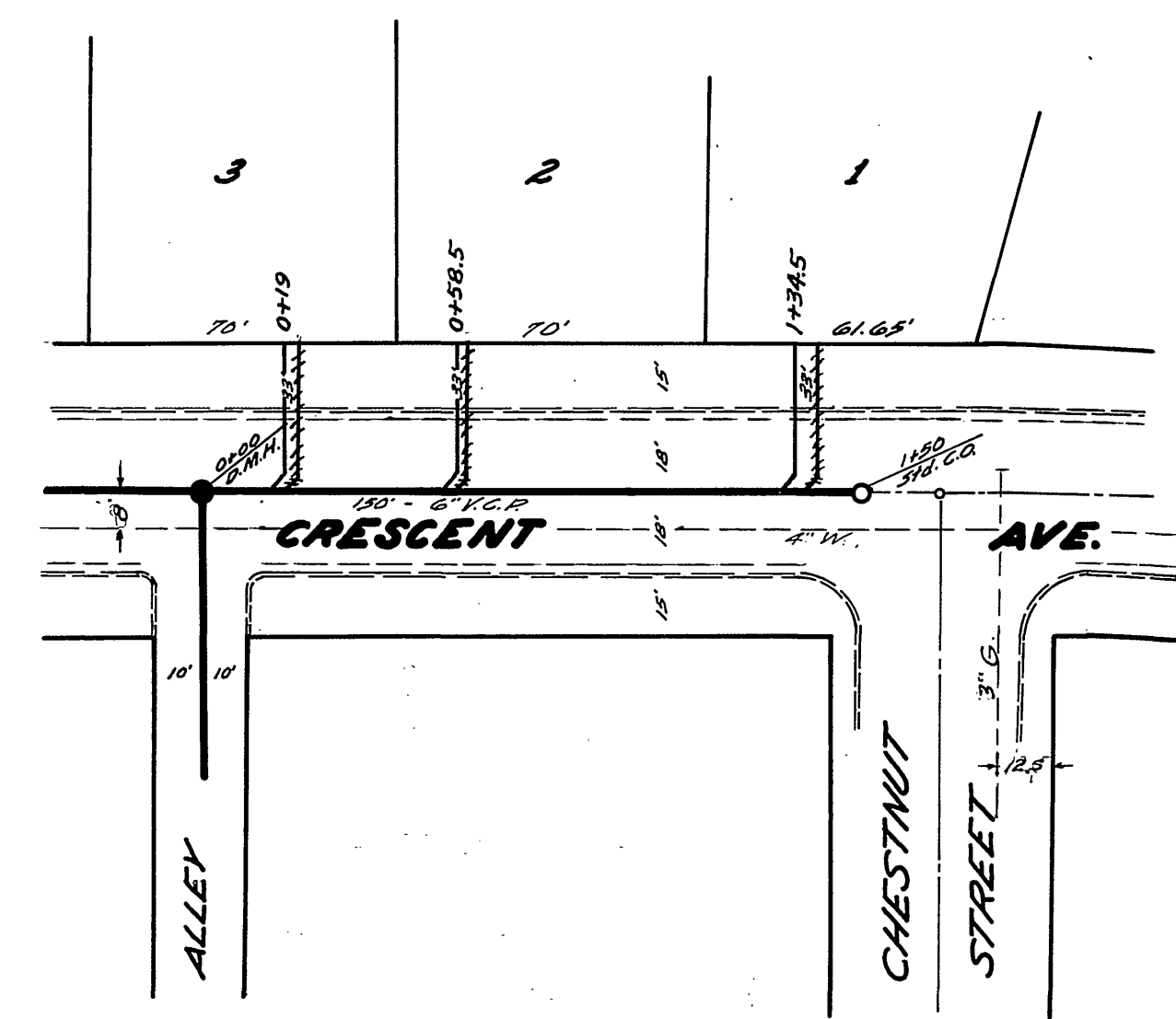
CITY B.M.	S&L in Wly. Curb of Locust St. 3' Nly. of N. 12 of Houghton Ave.	EI. = 848.00
CITY B.M.	S&L in Curb on Ely side of Park in Crescent & Fairmount Ave.	EI. = 849.88
T.B.M.	☒ on Curb S.E. Cor. Brockton & Crescent.	EI. = 866.20

FOR TYPICAL SECTION
Showing Sewer Laterals See
SHEET N# 2 (S-65)



NOTE
LAY WYES ON WLY. SIDE FLAT

NOTE
LATERALS & WYES TO BE
LOCATED IN THE FIELD



REVISIONS		
MARK	DATE	DESCRIPTION
△	3-25-58	As Built "C.O. stationing, H. Built"
△	3-25-58	As Built "House Connections, H. Built"

REVISION	
APPROVED	BROCKTON AVE. SEWER
DIRECTOR OF PUBLIC WORKS	
DATE	March 29, 1957

PROPERTY OF
CITY OF RIVERSIDE
DEPT. OF PUBLIC WORKS
ENGINEERING DIVISION
AS 5-50-7

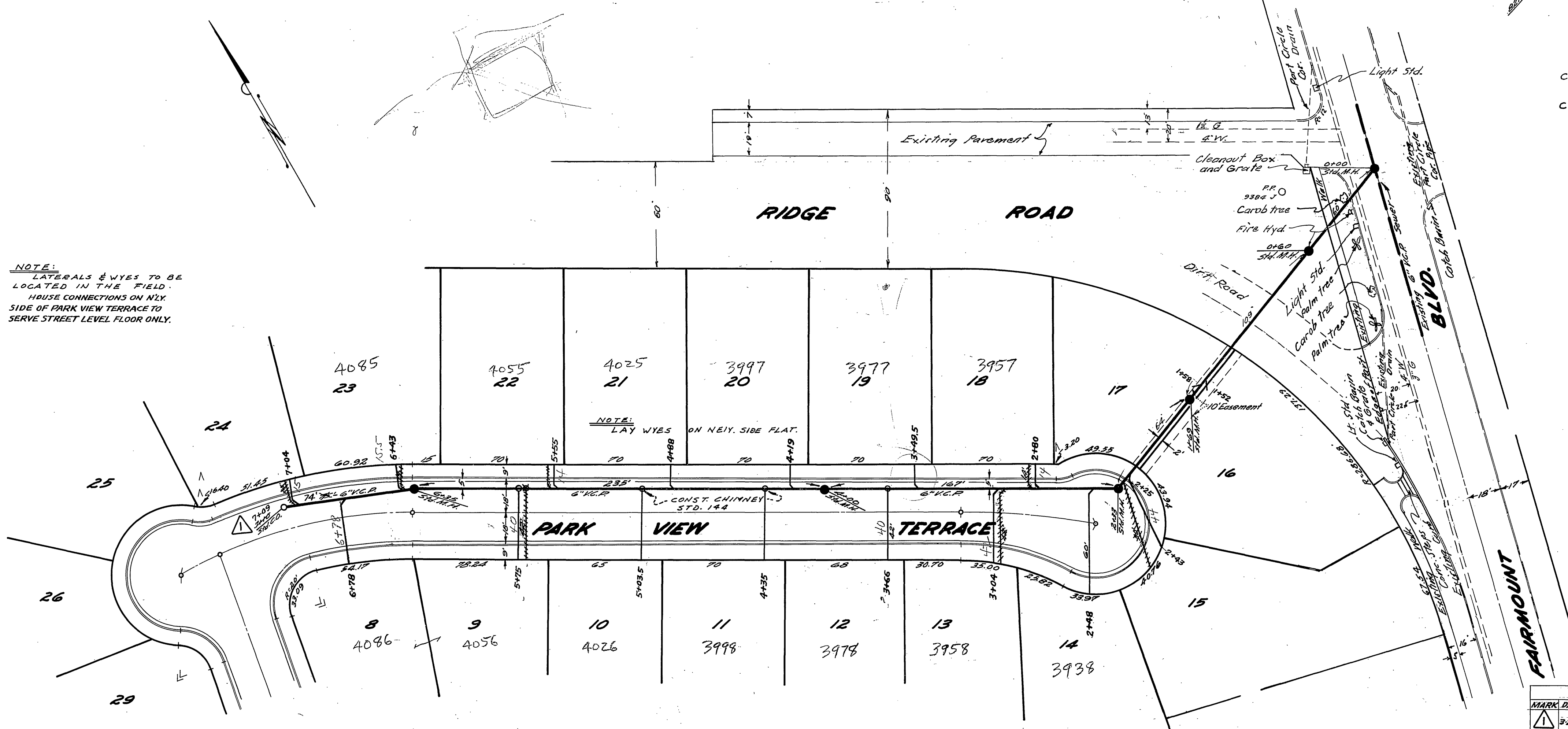
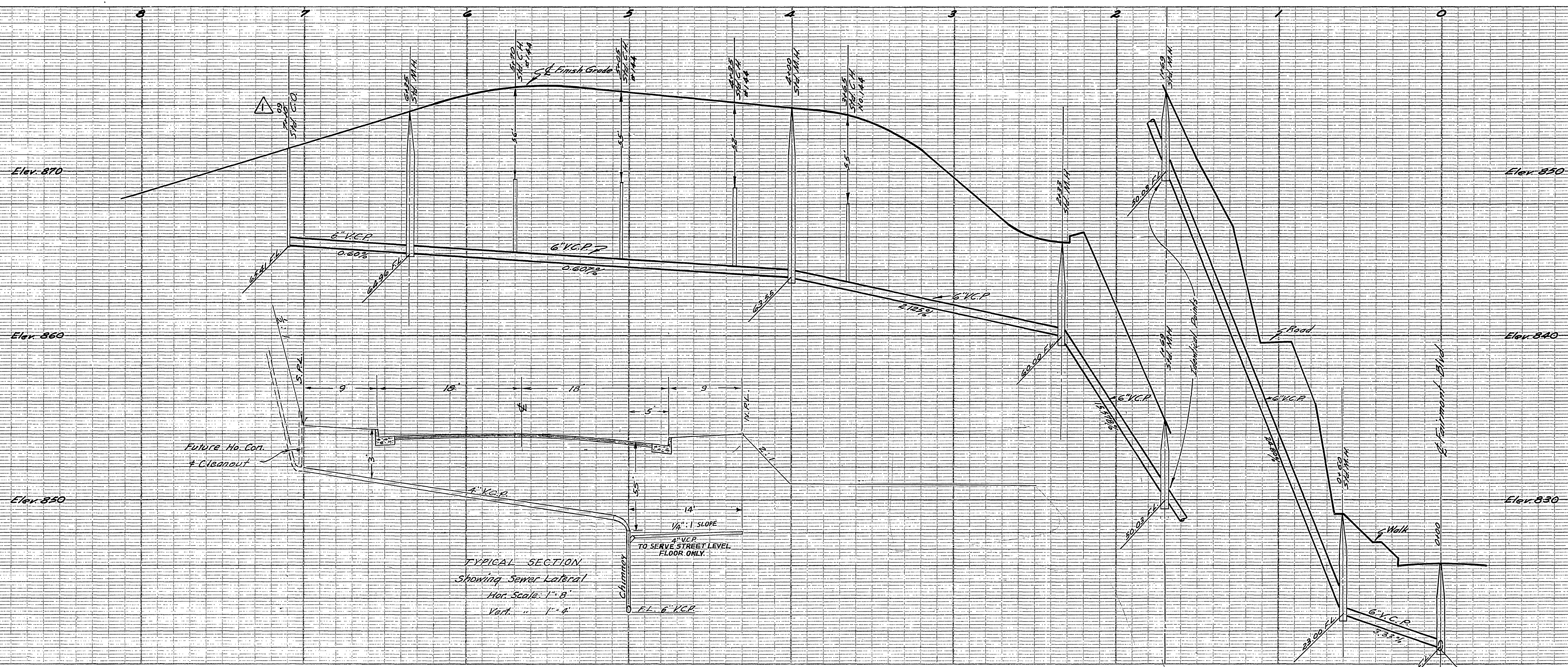
DAVIDSON-CIVIL ENGINEER
RIVERSIDE, CALIFORNIA
APPROVED BY *J. Davidson* DATE 11-27-56

CITY OF RIVERSIDE, CALIFORNIA
DEPARTMENT OF PUBLIC WORKS

SEWER PLAN & PROFILE
BROCKTON AVE.
PARK HILL ESTATES
IMPROVEMENT DIST.

HORIZ. SCALE 1"=40' VERT. SCALE 1"=4'

APPROVED BY *J. Davidson* NO. S-65
DIRECTOR OF PUBLIC WORKS
DATE March 29, 1957 SHEET 1 - 4



- BENCH MARKS -

CITY B.M.	S. & L. in Wly. Curb of Locust St. 3' Nly. of N. R. of Houghton Ave.	EI. = 848.80
CITY B.M.	S. & L. in curb on Ely. side of Park in & Crescent & Fairmount Ave.	EI. = 849.88
T.B.M.	⊠ on Curb S.E. Cor. Brockton & Crescent.	EI. = 866.20

PROPERTY OF
CITY OF RIVERSIDE
DEPT. OF PUBLIC WORKS
ENGINEERING DIVISION

DAVIDSON CIVIL ENGINEER
C.E. No. 882
RIVERSIDE, CALIFORNIA

APPROVED BY: *[Signature]* DATE: 11-27-58

CITY OF RIVERSIDE, CALIFORNIA
DEPARTMENT OF PUBLIC WORKS

SEWER PLAN & PROFILE
PARK VIEW TERRACE
PARK HILL ESTATES
IMPROVEMENT DIST.

HORIZ. SCALE 1" = 40' VERT. SCALE 1" = 4'

REVISIONS

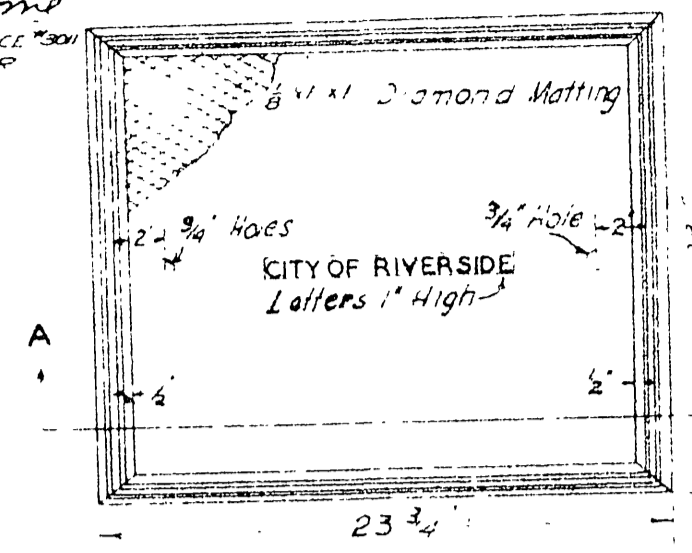
MARK	DATE	DESCRIPTION
△	11-27-58	As Built "C.O. Stations, H. 842"
△	11-27-58	As Built "House Connections, H. 842"

APPROVED BY: *[Signature]*

NO. S-65
SHEET 2 OF 4

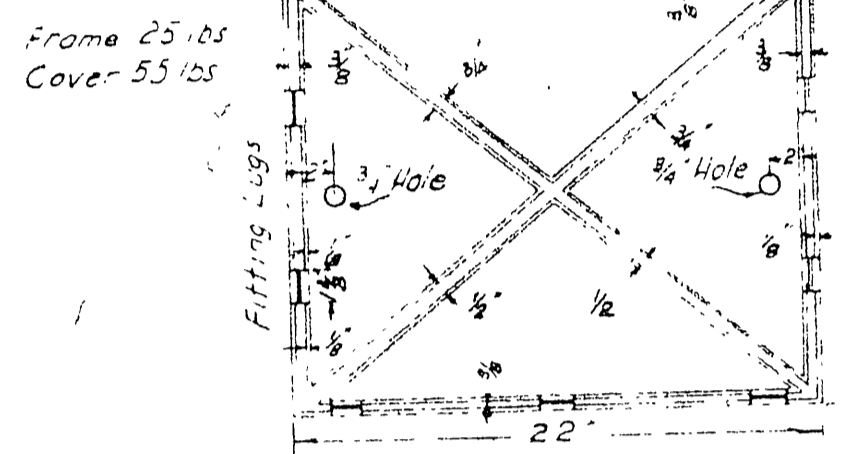
DETAILS OF
CATCH BASIN FRAME AND COVER
CITY OF RIVERSIDE
PLAN OF FRAME AND COVER

APPROVED *M. N. Irvine*
M. N. IRVINE REGISTERED
CITY ENGINEER



SECTION A-A

BOTTOM PLAN OF COVER



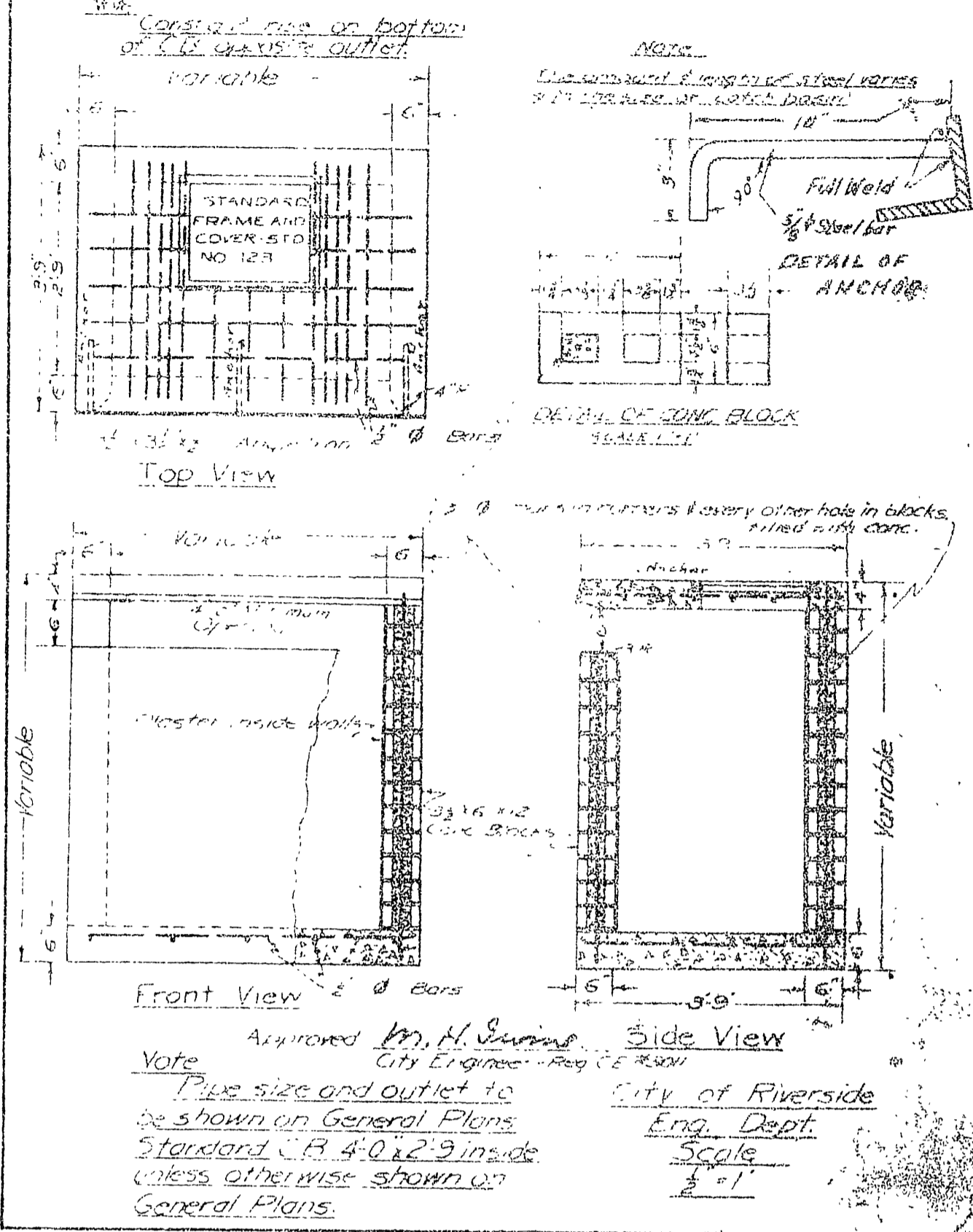
DETAIL OF
FRAME AND COVER CONNECTION

- NOTE
- The material and finish shall conform to the Specifications applicable hereto.
 - Cover shall fit in either position.
 - Locate frame so as to bear over ends of corrugated culverts.
 - Frame and cover shall be set to sidewalk elevations.

SHEET NO. 123

PLAN OF
STORM WATER CATCH BASIN
BACK OF CURB TYPE

STD. #140-C

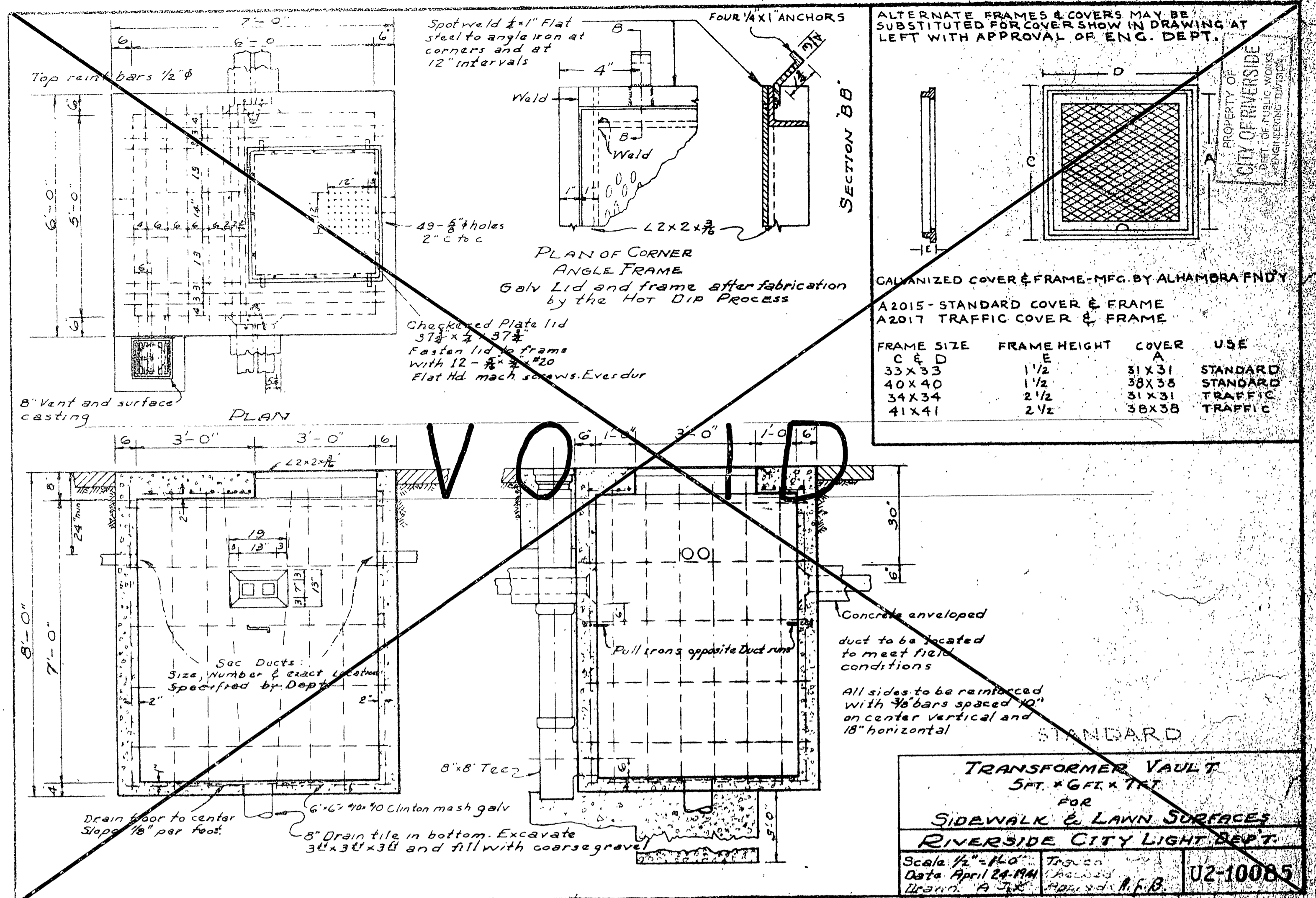


NOTE

Approved *M. N. Irvine*
City Engineer Reg. C.E. 2499

PIPE SIZE AND OUTLET TO BE SHOWN ON GENERAL PLANS
STANDARD C.B. 4-0 x 2-9 INSIDE UNLESS OTHERWISE SHOWN ON GENERAL PLANS.

CITY OF RIVERSIDE
Eng. Dept.
Scale
1" = 1'



ALTERNATE FRAMES & COVERS MAY BE SUBSTITUTED FOR COVER SHOWN IN DRAWING AT LEFT WITH APPROVAL OF ENG. DEPT.

PROPERTY OF
CITY OF RIVERSIDE
DEPT. OF PUBLIC WORKS
ENGINEERING DIVISION

CALVANIZED COVER & FRAME-MFG. BY ALHAMBRA FNDY

FRAME SIZE	FRAME HEIGHT	COVER	USE
C & D	E	A	
33x33	1 1/2	31x31	STANDARD
40x40	1 1/2	38x38	STANDARD
34x34	2 1/2	31x31	TRAFFIC
41x41	2 1/2	36x36	TRAFFIC

Concrete enveloped duct to be located to meet field conditions

All sides to be reinforced with #6 bars spaced 10" on center vertical and 18" horizontal

STANDARD

TRANSFORMER VAULT
5 FT. x 6 FT. x 7 FT.
FOR
SIDEWALK & LAWN SURFACES
RIVERSIDE CITY LIGHT DEPT.

Scale 1/2" = 1'-0"
Date April 24-1944
Drawn: A. J. ...
Checked: M. N. Irvine

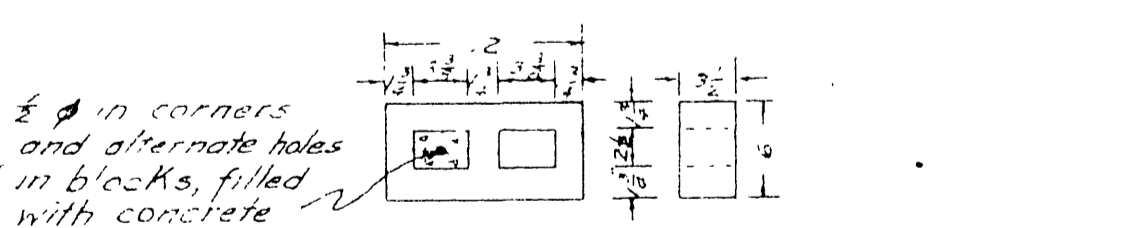
U2-10085

STANDARD PLAN
NO 140-E
CONCRETE BLOCK CLEANOUT BOX
FOR STORM DRAINS

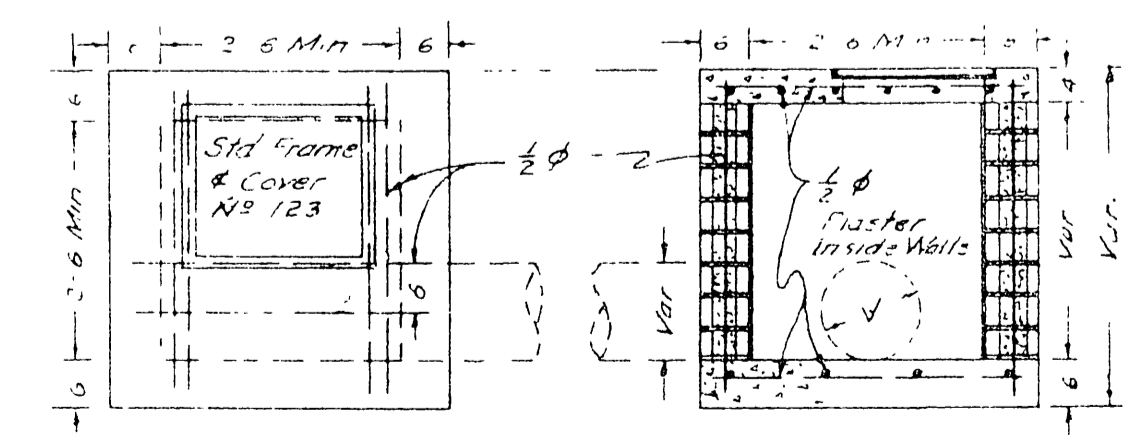
CITY OF RIVERSIDE - ENGINEER DEPT.

NOTE BOX AND PIPE SIZES TO BE SHOWN ON GENERAL PLANS

APPROVED *M. N. Irvine*
M. N. IRVINE - CITY ENGINEER
REG. C.E. NO. 3011

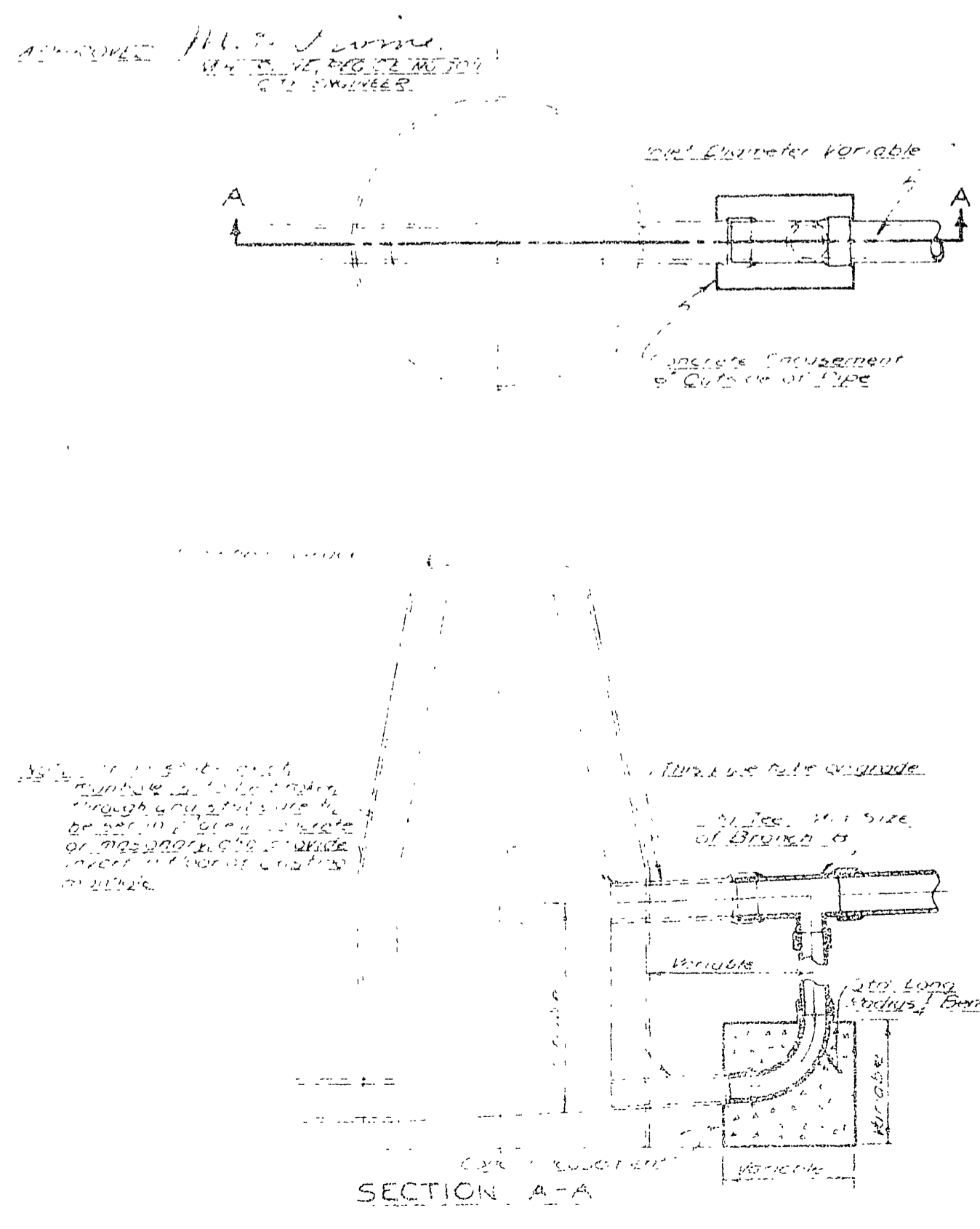


DETAIL OF
CONCRETE BLOCK
SCALE 1'-1"



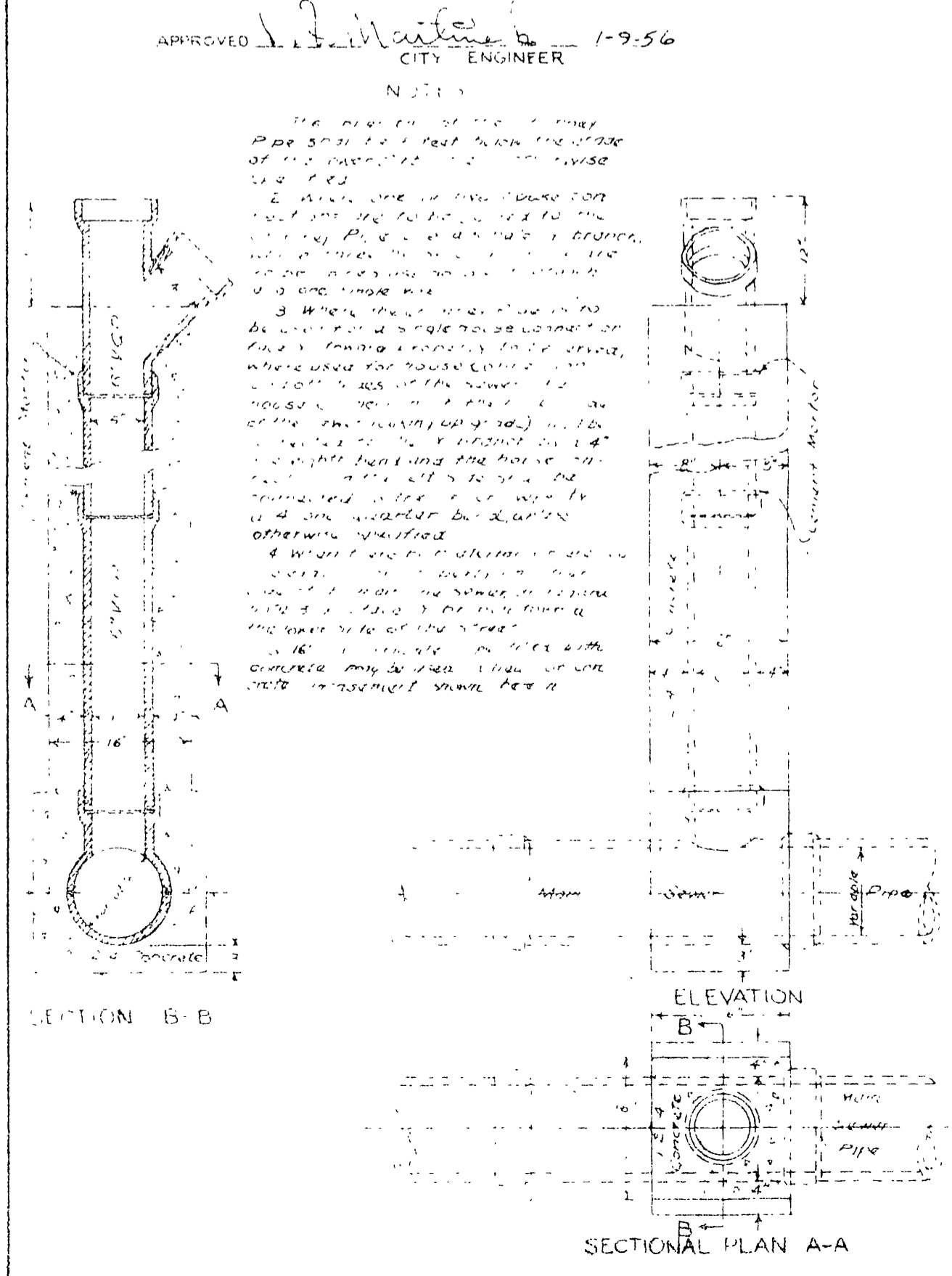
PLAN SIDE ELEVATION
DETAILS OF CLEANOUT BOX
SCALE 1'-2"

CITY OF RIVERSIDE, CALIFORNIA
ENGINEERING DEPARTMENT
STD. DROP ONLY TO EXISTING MANHOLE



CITY OF RIVERSIDE, CALIFORNIA
ENGINEERING DEPARTMENT
STANDARD CHIMNEY PIPE
SCALE 1/2" = 1'

STD. 144



PROPERTY OF
CITY OF RIVERSIDE
DEPT. OF PUBLIC WORKS
ENGINEERING DIVISION

J.F. DAVIDSON - CIVIL ENGINEER
RE No 862
RIVERSIDE CALIFORNIA
APPROVED BY *J. F. Davidson* DATE 4-27-44

CITY OF RIVERSIDE, CALIFORNIA
DEPARTMENT OF PUBLIC WORKS

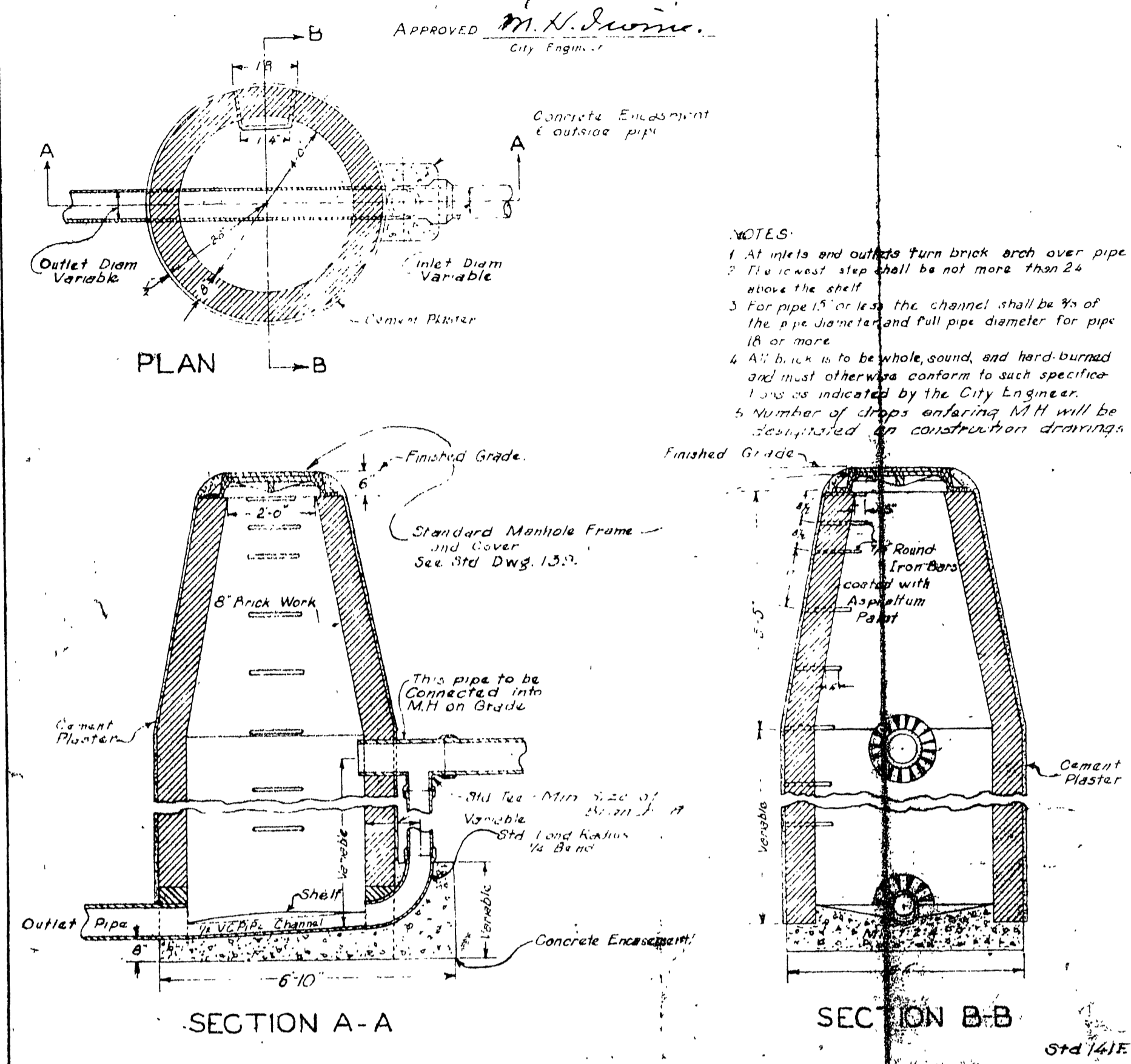
STANDARD PLANS
STRUCTURAL DETAILS
PARK HILL ESTATES
IMPROVEMENT DISTRICT

HORIZ. SCALE: AS SHOWN VERT. SCALE: AS SHOWN

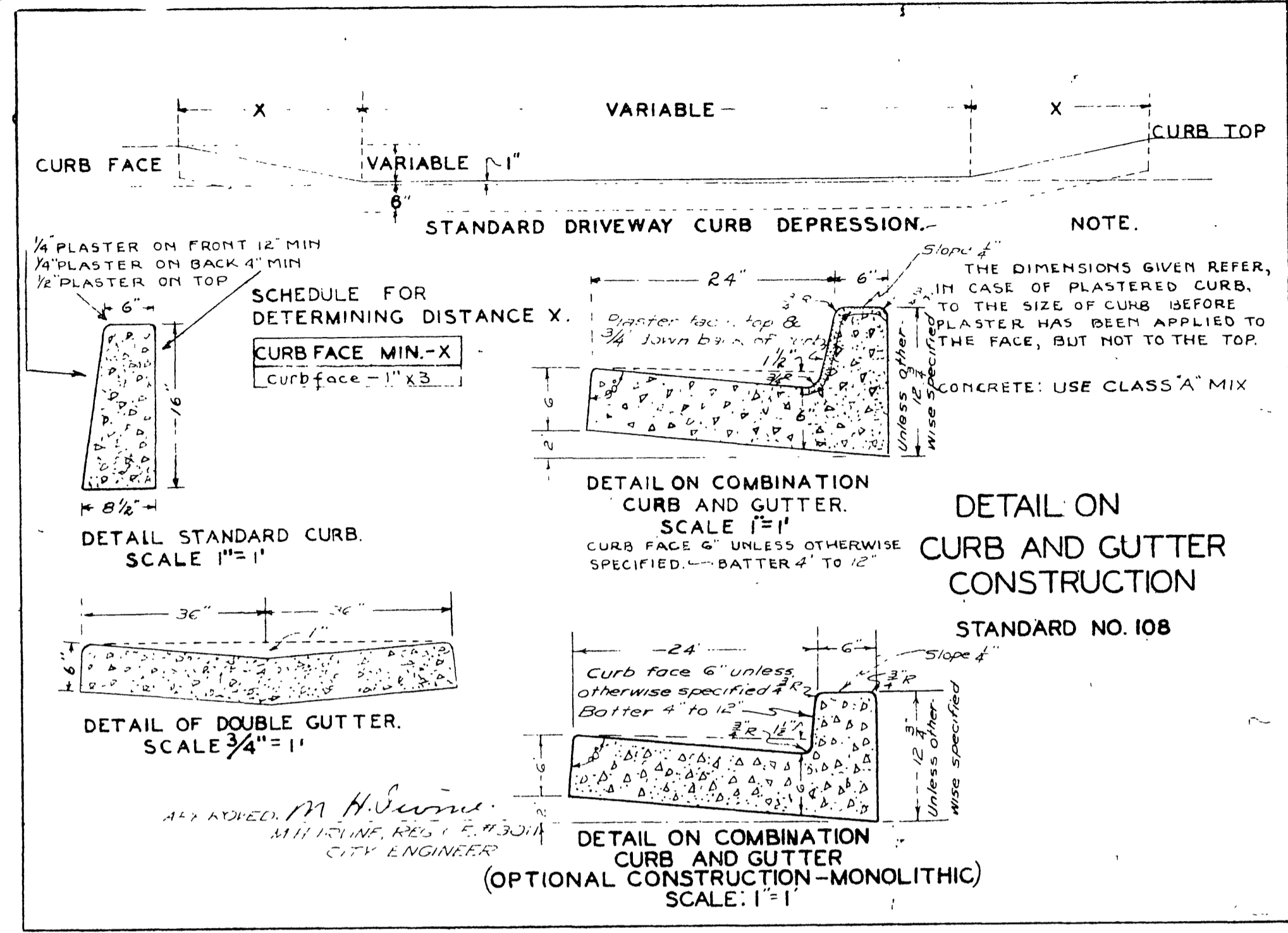
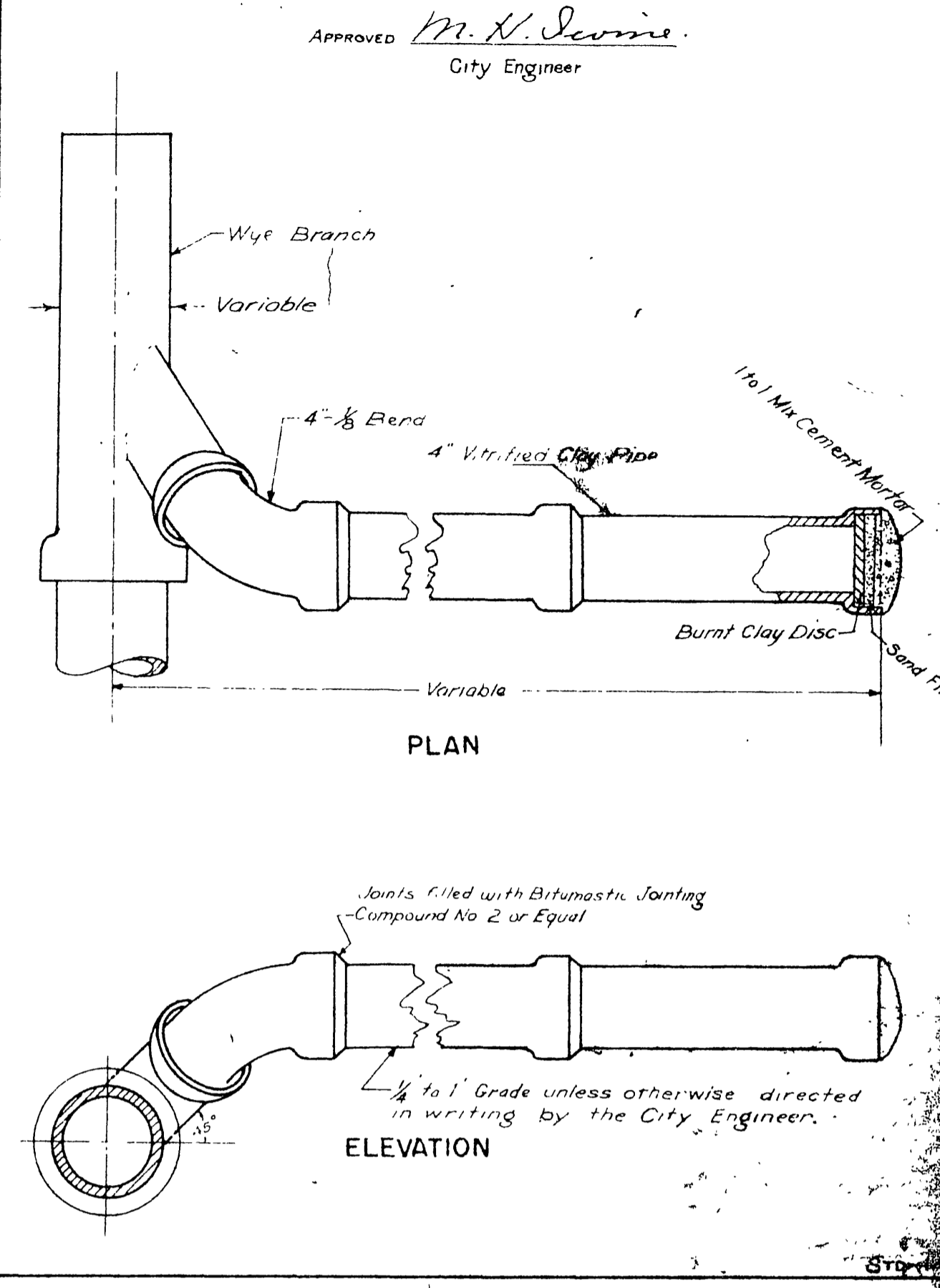
APPROVED BY
J. F. Davidson
Director of Public Works

NO. S-65
DATE + Month 1944 SHEET 3 OF 4

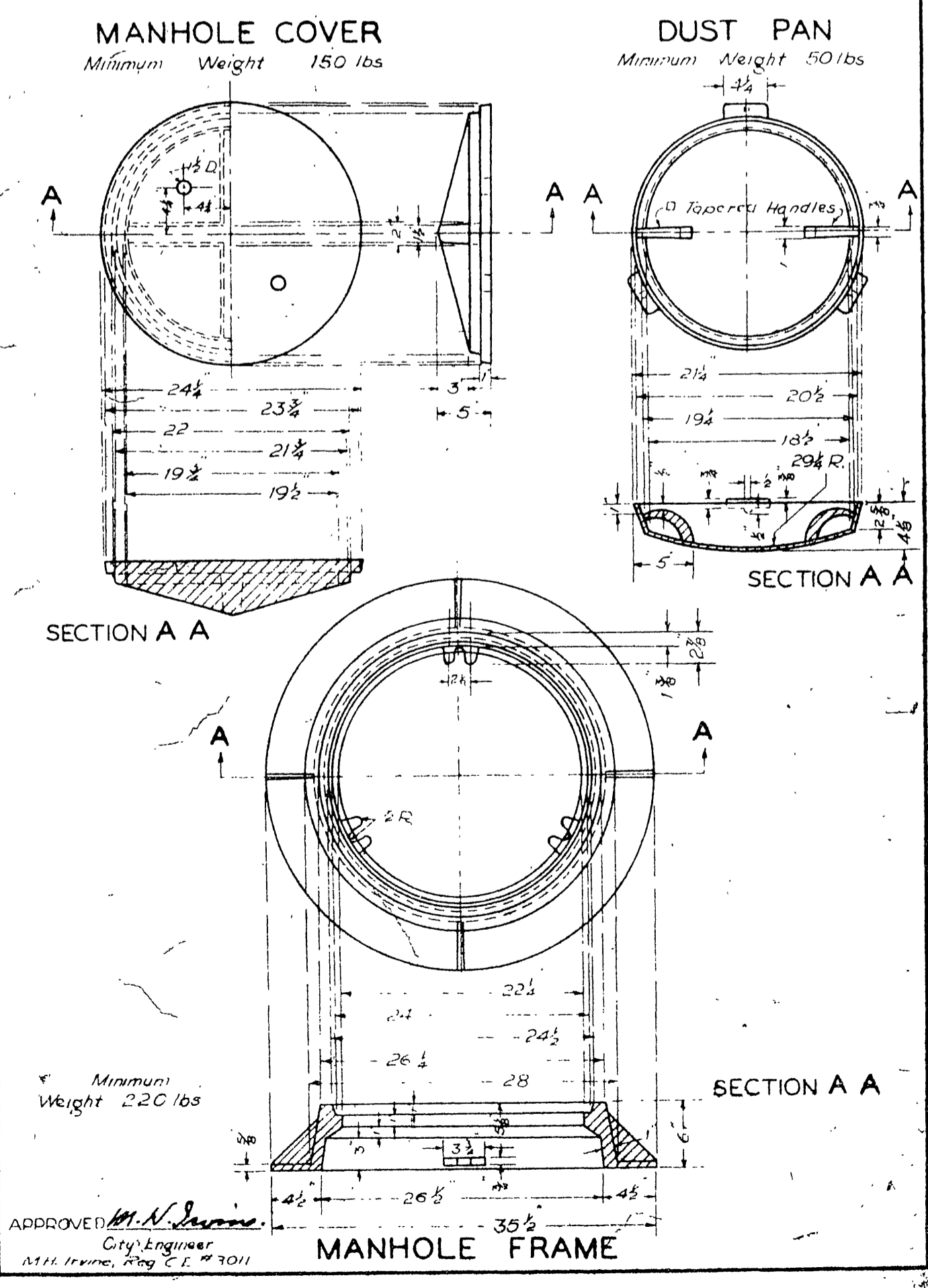
CITY OF RIVERSIDE, CALIFORNIA
ENGINEERING DEPARTMENT
STANDARD DROP-MANHOLE STRUCTURE
(BRICK CONSTRUCTION)



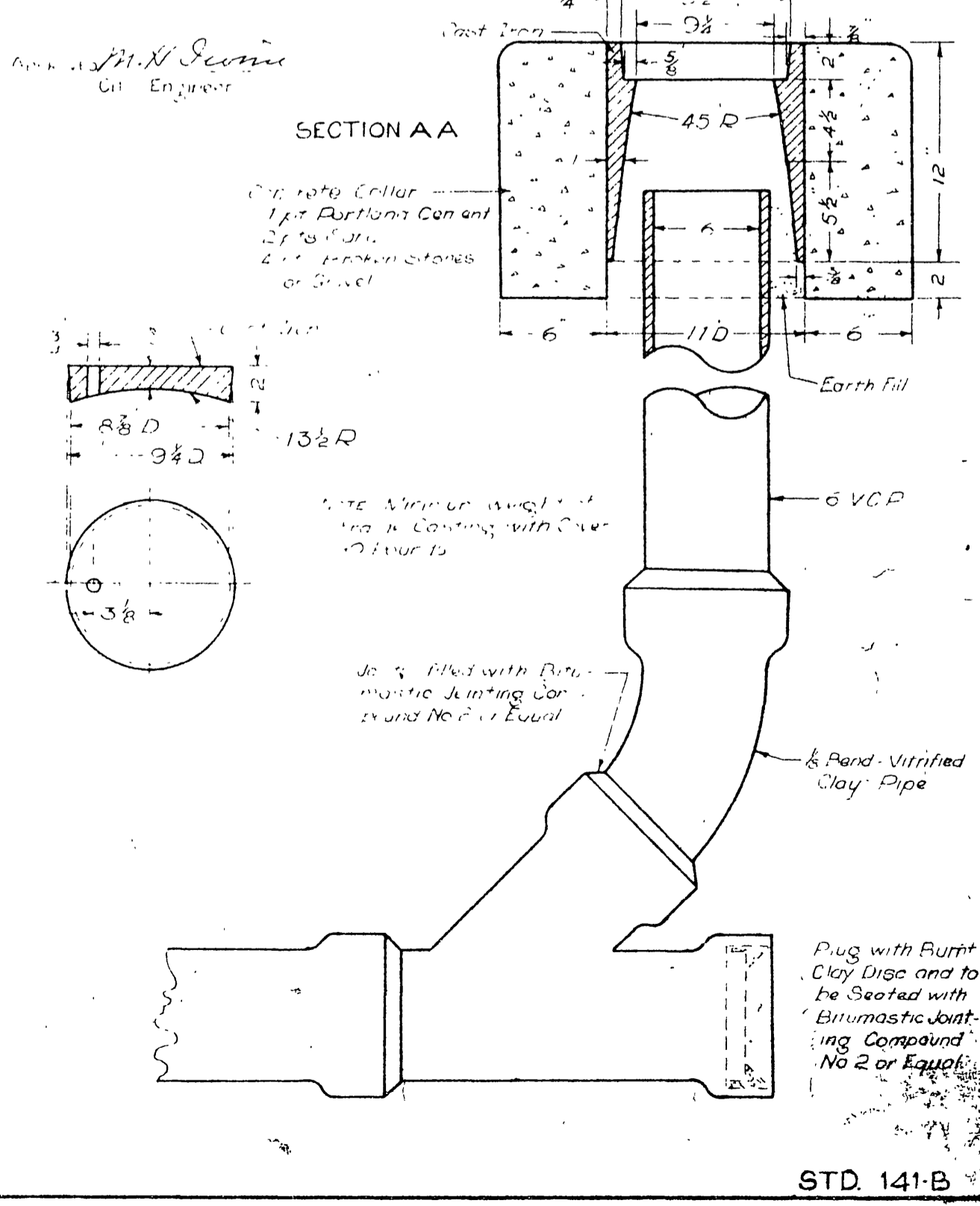
CITY OF RIVERSIDE, CALIF.
ENGINEERING DEPARTMENT
STANDARD HOUSE CONNECTION
NO SCALE



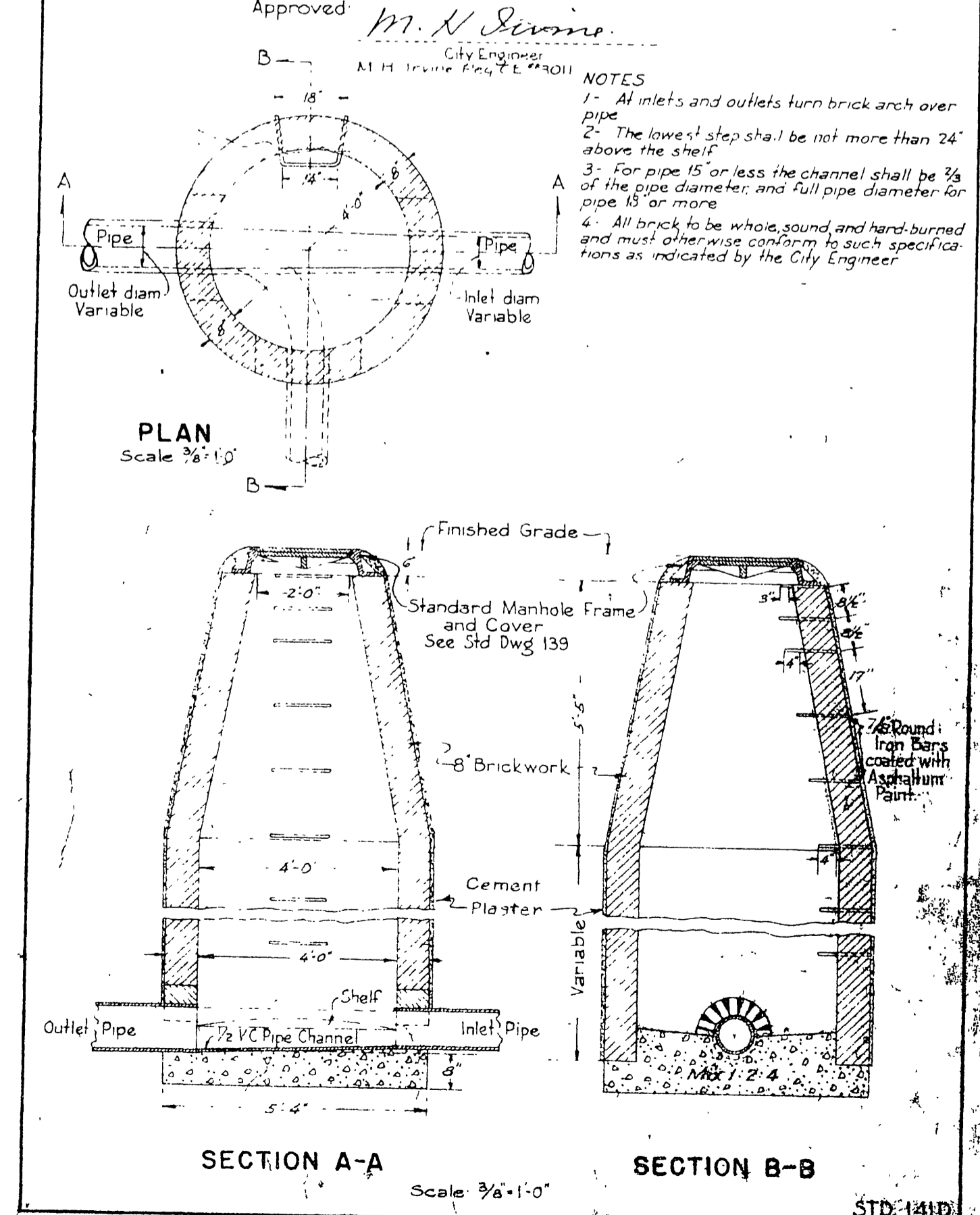
CITY OF RIVERSIDE, CALIF. STD.-139
ENGINEERING DEPARTMENT
STANDARD MANHOLE CASTINGS



CITY OF RIVERSIDE, CALIF.
ENGINEERING DEPARTMENT
STANDARD CLEANOUT



CITY OF RIVERSIDE, CALIFORNIA
ENGINEERING DEPARTMENT
STANDARD MANHOLE STRUCTURE
(BRICK CONSTRUCTION)



PROPERTY OF
CITY OF RIVERSIDE
DEPT. OF PUBLIC WORKS
ENGINEERING DIVISION

PROPERTY OF
CITY OF RIVERSIDE
DEPT. OF PUBLIC WORKS
ENGINEERING DIVISION

J.F. DAVIDSON-CIVIL ENGINEER
R.E. No 862
RIVERSIDE, CALIFORNIA
APPROVED BY *J. P. ...* DATE 11-29-58

CITY OF RIVERSIDE, CALIFORNIA
DEPARTMENT OF PUBLIC WORKS

STANDARD PLANS
STRUCTURAL DETAILS
PARK HILL ESTATES
IMPROVEMENT DISTRICT

HORIZ. SCALE AS SHOWN VERT. SCALE AS SHOWN

APPROVED BY *M. N. Seavin*
Director of Public Works

NO. S-65
DATE March 29, 1959 SHEET 4 OF 4