

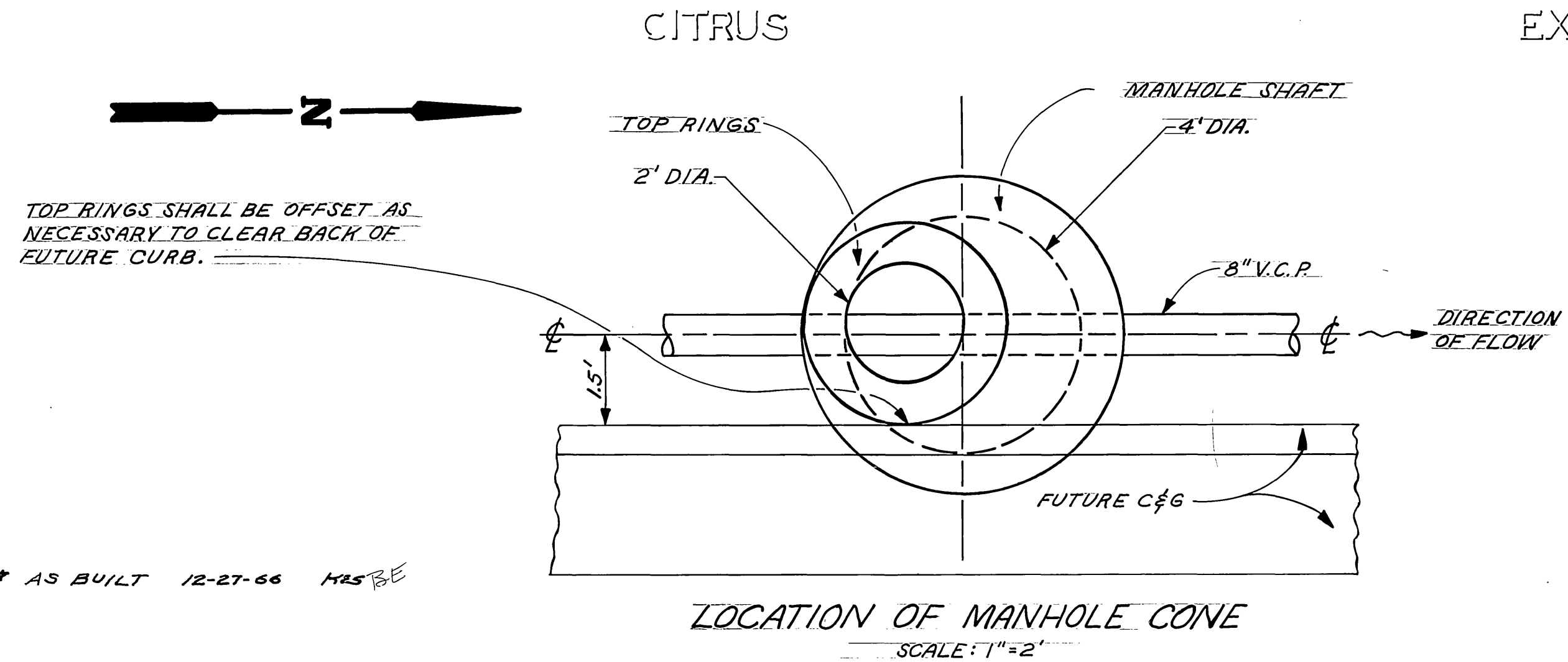
F.B. 726/20,21,22,32,72
 B.M. ELEV. 973.497 "RR" SPIKE IN
 COMB. POLE 757067H ON S.E. COR. OF
 CHICAGO AVE. AND PENN. AVE.

GENERAL NOTES

1. EXACT LOCATION OF WYES TO BE DETERMINED IN THE FIELD.
2. THE CONTRACTOR MAY USE PRECAST CONCRETE MANHOLE SECTIONS IN LIEU OF BRICK CONSTRUCTION.
3. THE TOP RINGS OF THE MANHOLES SHALL BE OFFSET TO THE UPSTREAM SIDE AND TO CLEAR THE FUTURE C&G.
4. WYES SHALL BE PLUGGED & CAPPED PER STD. DWG. NO. 562.
5. PIPE SHALL BE BEDDED PER CASE I, STD. DWG. NO. 452, REV. I.
6. FILL TO BE IN PLACE PRIOR TO SEWER CONSTRUCTION.

SPECIAL WATER LINE ENCASEMENT NOTES

1. CONTRACTOR SHALL NOTIFY THE CITY OF RIVERSIDE WATER DIVISION 48HRS. IN ADVANCE TO RAISE WATER MAIN.
2. WATER MAIN SHALL BE ENCASED FOR A MINIMUM OF 3' ON EACH SIDE OF SEWER, PER STD. DWG. NO. 452, REV. I, CASE II.



"FOR STREET IMPROVEMENTS SEE PLAN R-1152"

-CAUTION-
PACIFIC TELEPHONE
CABLES UNDERGROUND
BEFORE EXCAVATING
 CALL COLLECT:
 7:30 A.M. to 5 P.M. & Holidays
 Orange County 714-633-0811 714-547-6606
 Riverside County 714-684-0071 714-547-6606
 Inyo County 714-684-0071 714-547-6606
 San Bernardino County 714-684-0071 714-547-6606
 Los Angeles County 213-621-3111 24 HOUR SERVICE
 Ventura County 213-621-3111
 San Diego County 714-298-0595 714-232-0027
 FOR FREE CABLE LOCATING SERVICE

* AS BUILT 12-27-66 MRS. BE

CITY OF RIVERSIDE, CALIFORNIA DEPARTMENT OF PUBLIC WORKS		CHICAGO AVE. SEWER EXTENSION BETWEEN VASSAR DR. AND PRINCE ALBERT DR.		PROJECT NO. 5106
APPROVED BY OFFICE ENGINEER PARK DEPARTMENT TRAFFIC DIVISION ASSISTANT CITY ENG.	BY DATE 12 3 1964	APPROVED BY DIRECTOR OF PUBLIC WORKS	DATE 10-4-64	FILE NO.
DESIGNED BY D.C.H. DRAWN BY A.B.S. CHECKED BY D.C.H.		HORIZ. SCALE: 1" = 40' VERT. SCALE: 1" = 4'		

S-675

SHEET 1 OF 1