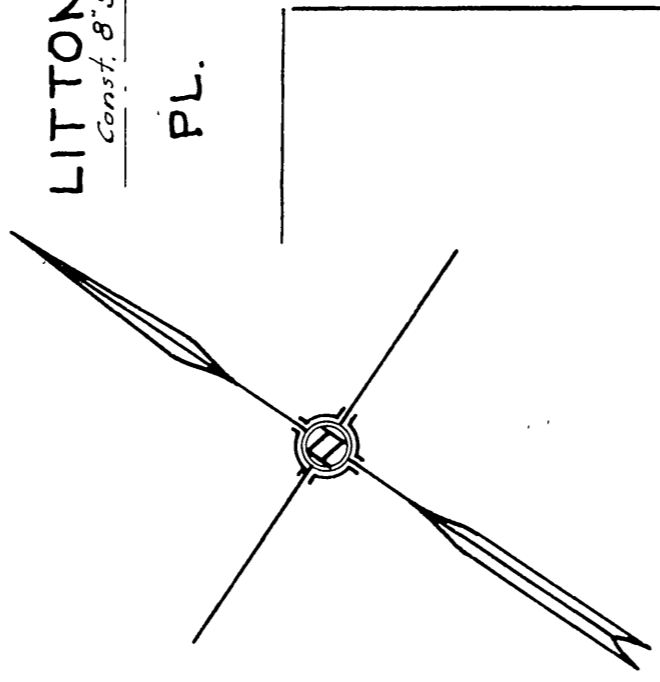
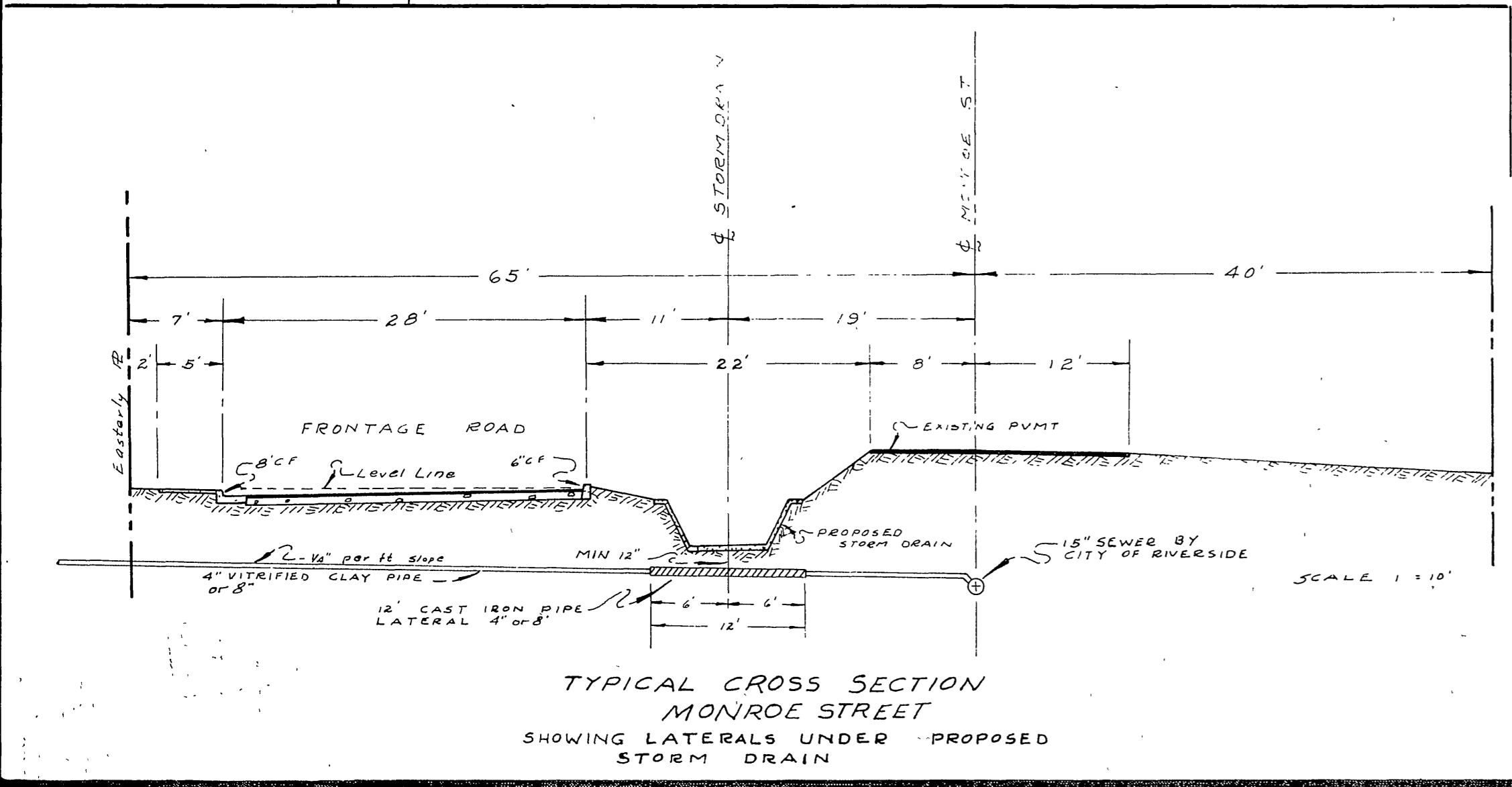
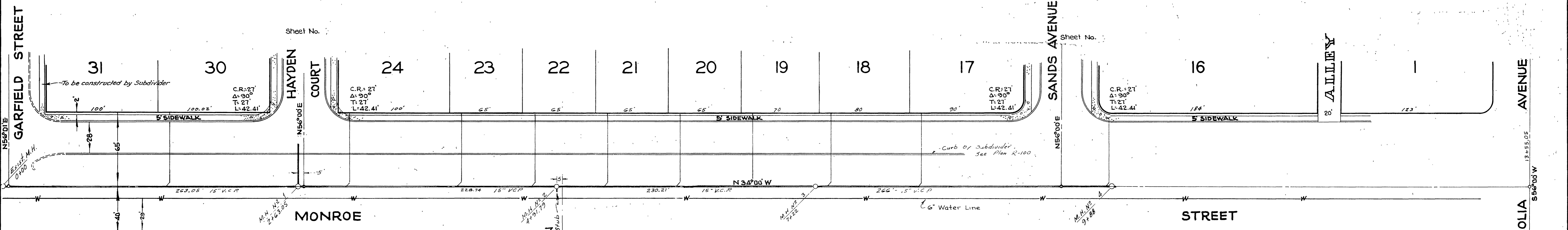


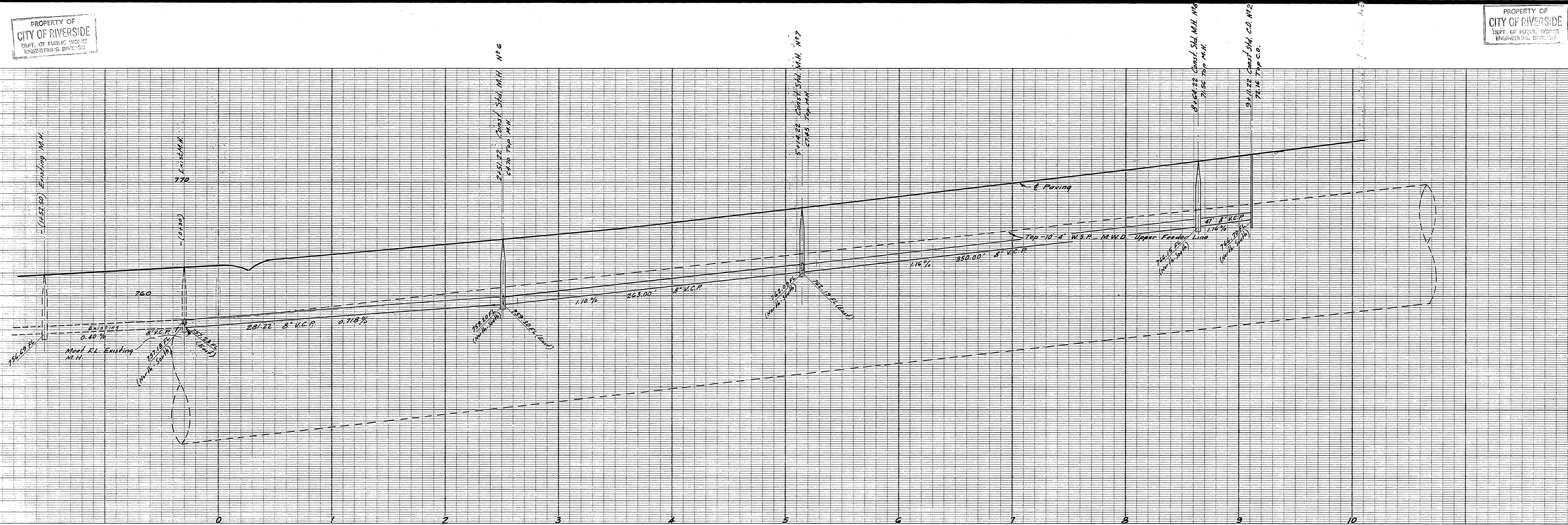
**BENCH MARKS**

State B.M.	X on bolt on top Fire Hydrant SW corner of Magnolia & Monroe	Elev. 781.799
City B.M.	R.R. Spike in P.Pole N 16/3811 J on Wly side Monroe, 400' Sly. of California Ave.	Elev. 740.298

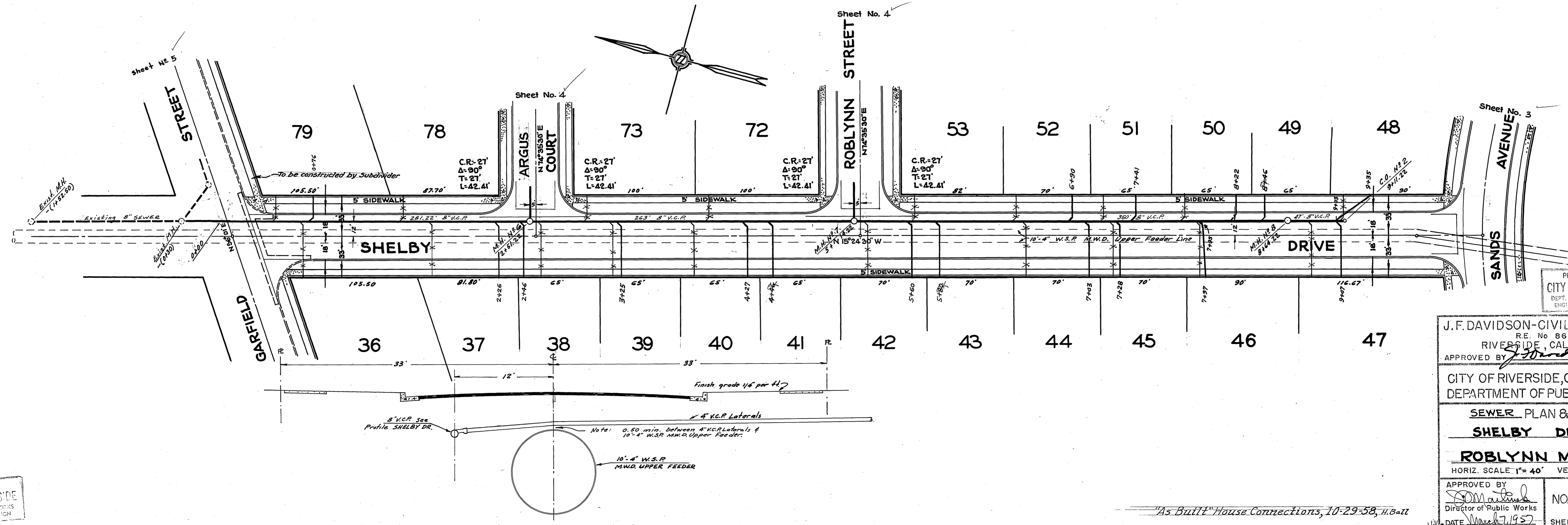


**NOTE:**  
 Laterals to property line to be located in the field.  
 The 15" sewer line and M.H.'s on Monroe St. to be constructed by the City of Riverside.  
 Twelve foot length of cast iron pipe laterals to be placed under storm drain ditch by Subdivider.

J.F. DAVIDSON-CIVIL ENGINEER  
 RE No 862  
 RIVERSIDE, CALIFORNIA  
 APPROVED BY: *J. Davidson* DATE 12-27-56  
 CITY OF RIVERSIDE, CALIFORNIA  
 DEPARTMENT OF PUBLIC WORKS  
**SEWER PLAN & PROFILE**  
**MONROE STREET**  
**ROBLYNN MANOR**  
 HORIZ SCALE 1"=40' VERT SCALE 1"=4'  
 APPROVED BY: *J. Davidson*  
 Director of Public Works  
 DATE Feb 25 1957  
 NO S-68  
 SHEET 1 OF 1



NOTE: Laterals to property line to be located in the field.



J.F. DAVIDSON - CIVIL ENGINEER  
R.E. No. 862  
RIVERSIDE, CALIFORNIA  
APPROVED BY *J. Davidson* DATE 12-27-56

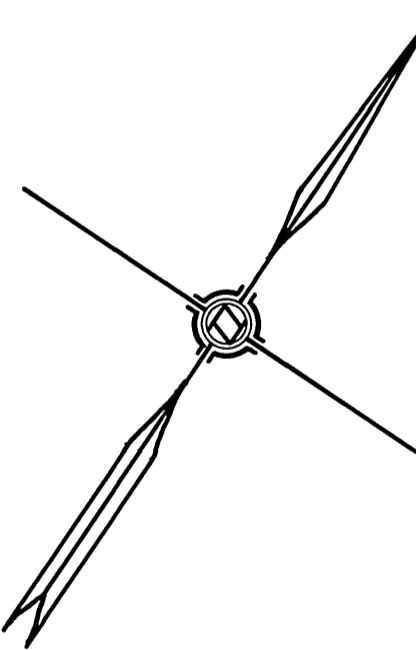
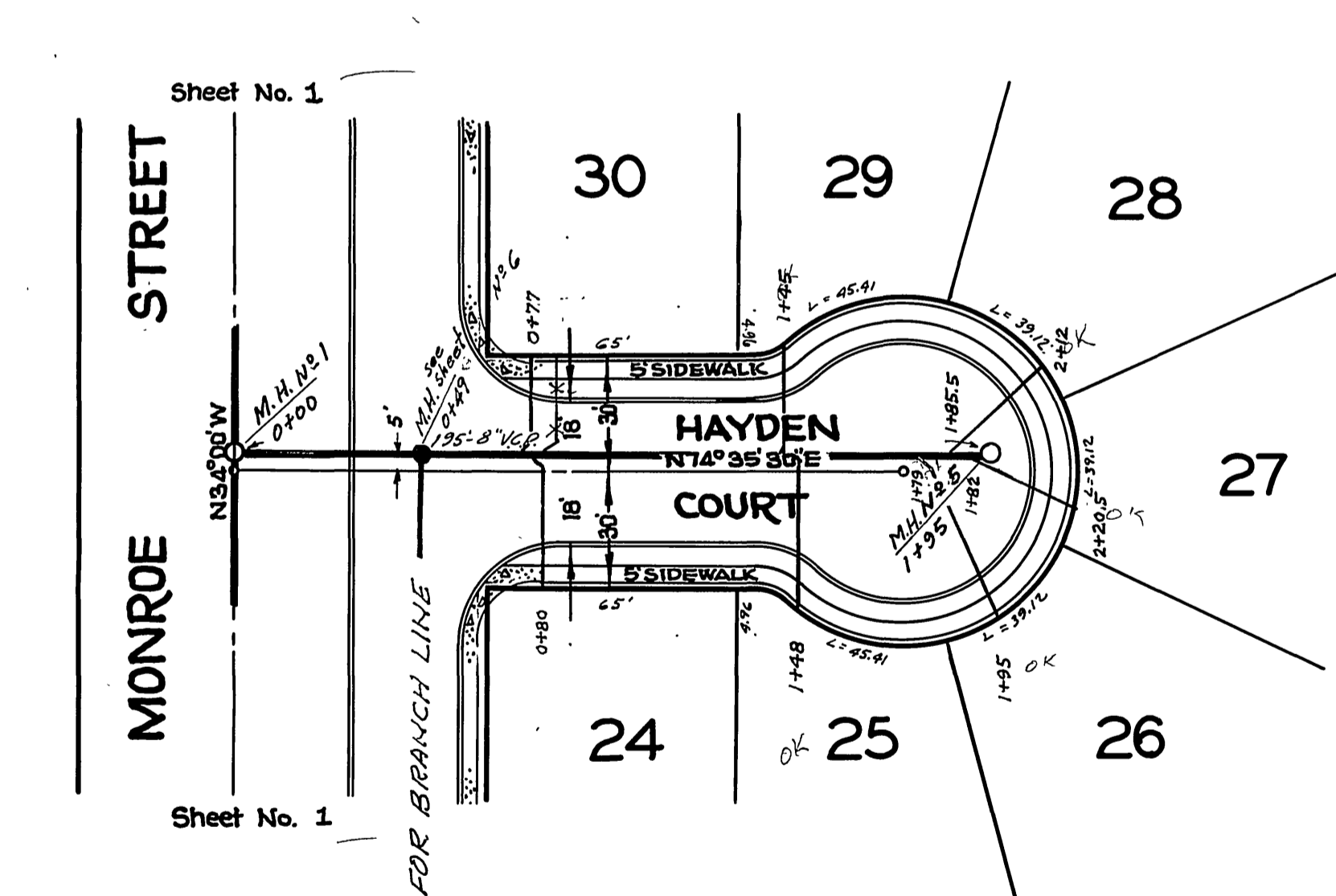
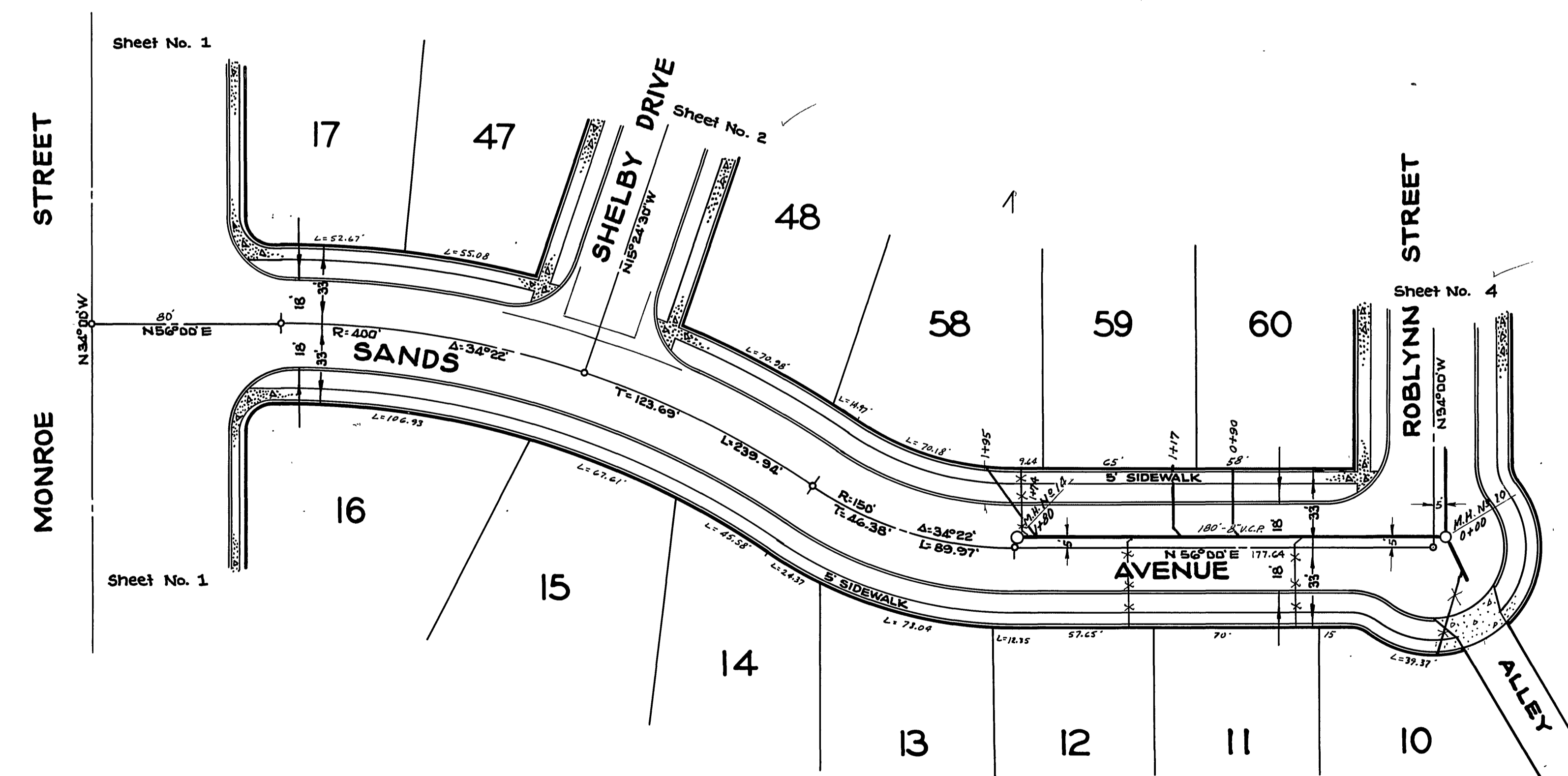
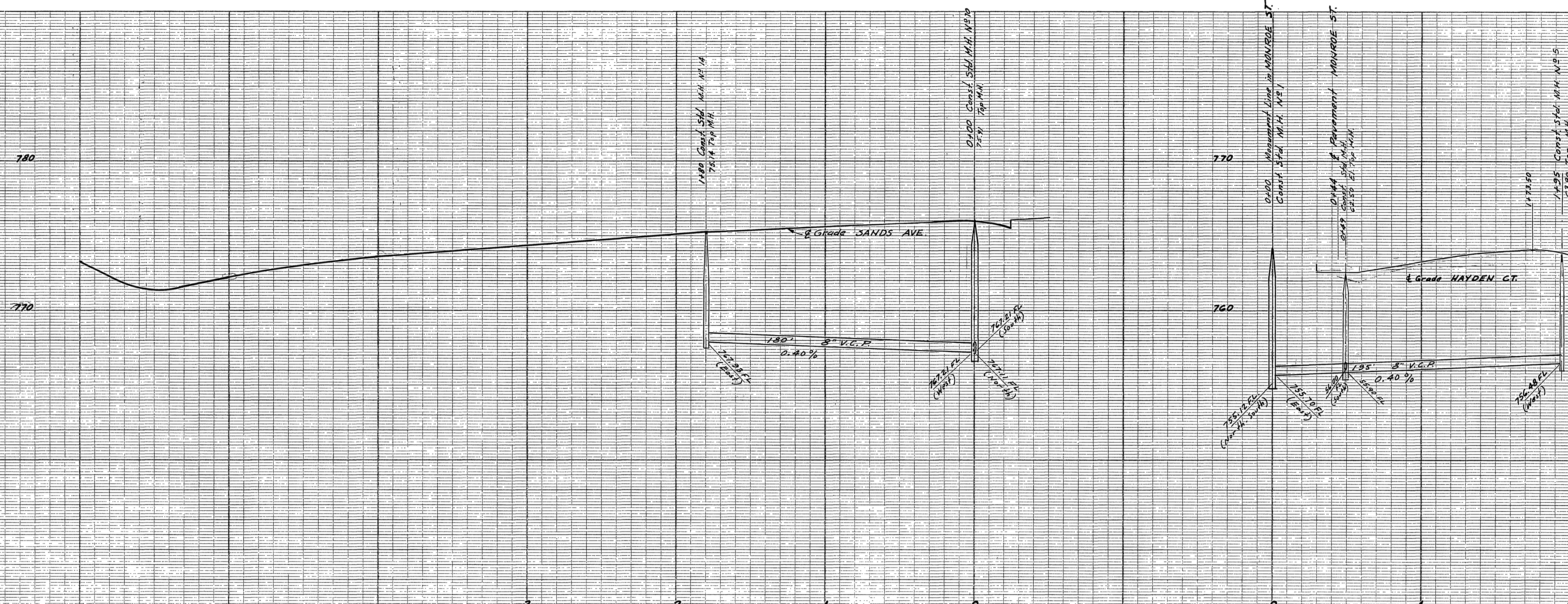
CITY OF RIVERSIDE, CALIFORNIA  
DEPARTMENT OF PUBLIC WORKS

SEWER PLAN & PROFILE  
SHELBY DRIVE  
ROBLYNN MANOR

HORIZ. SCALE 1" = 40' VERT. SCALE 1" = 4'

APPROVED BY *J. Davidson*  
Director of Public Works

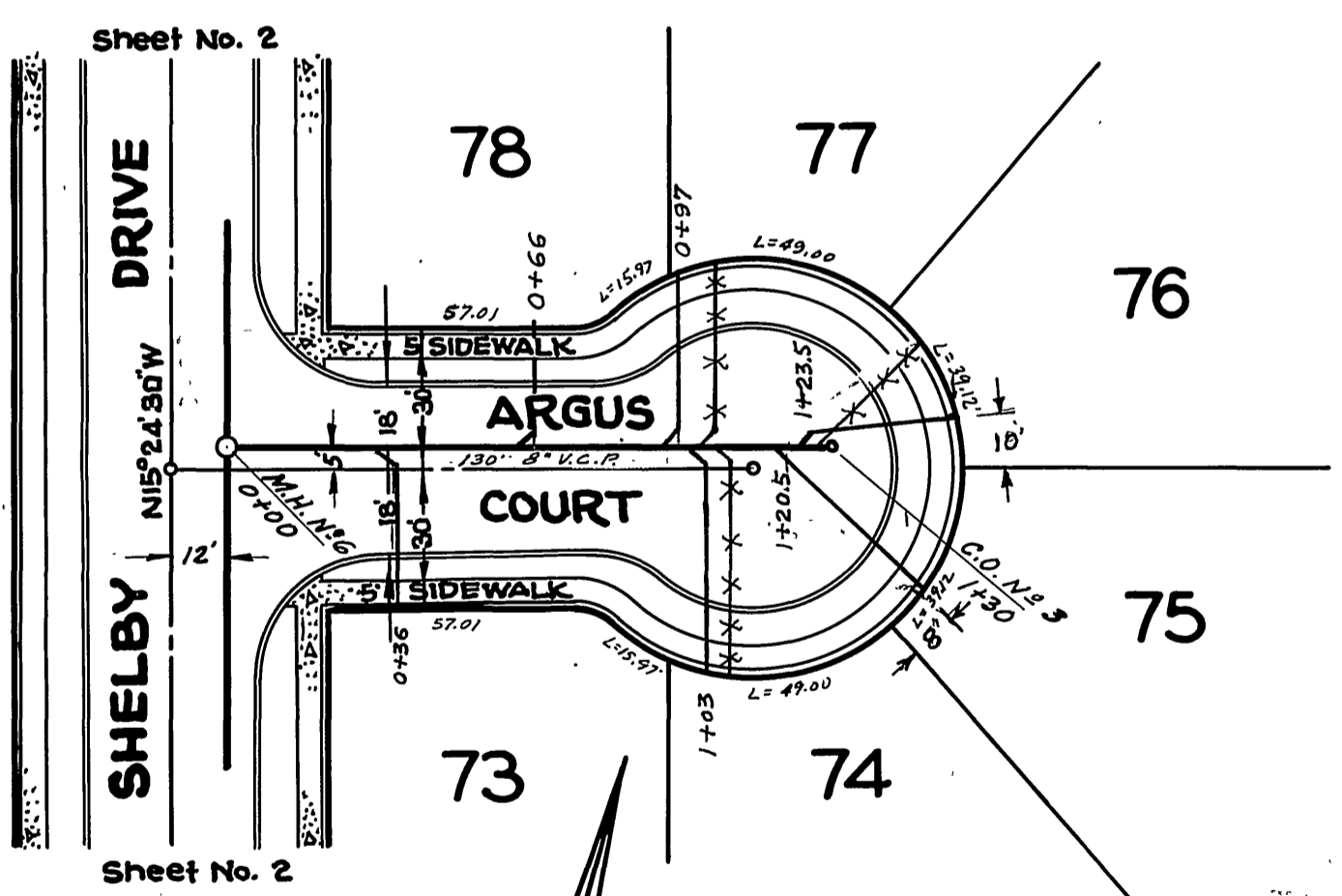
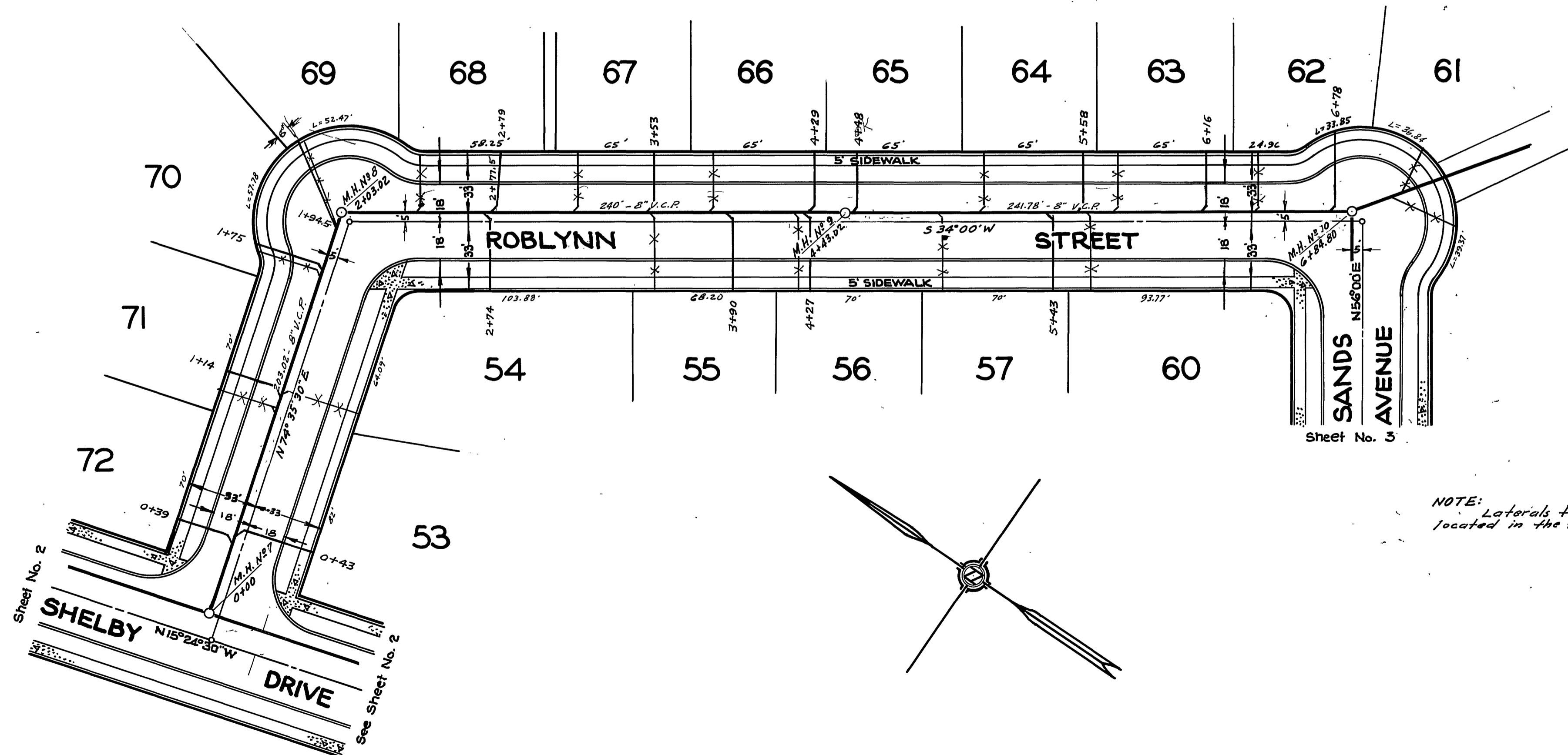
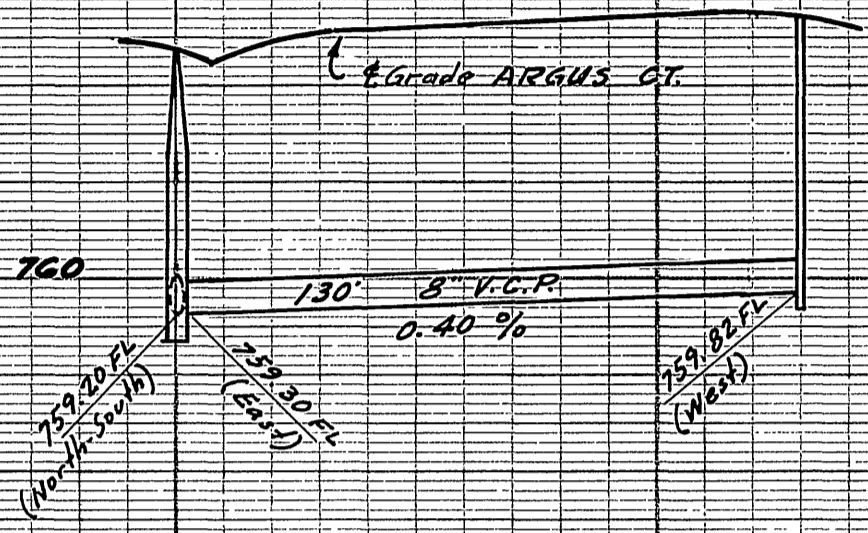
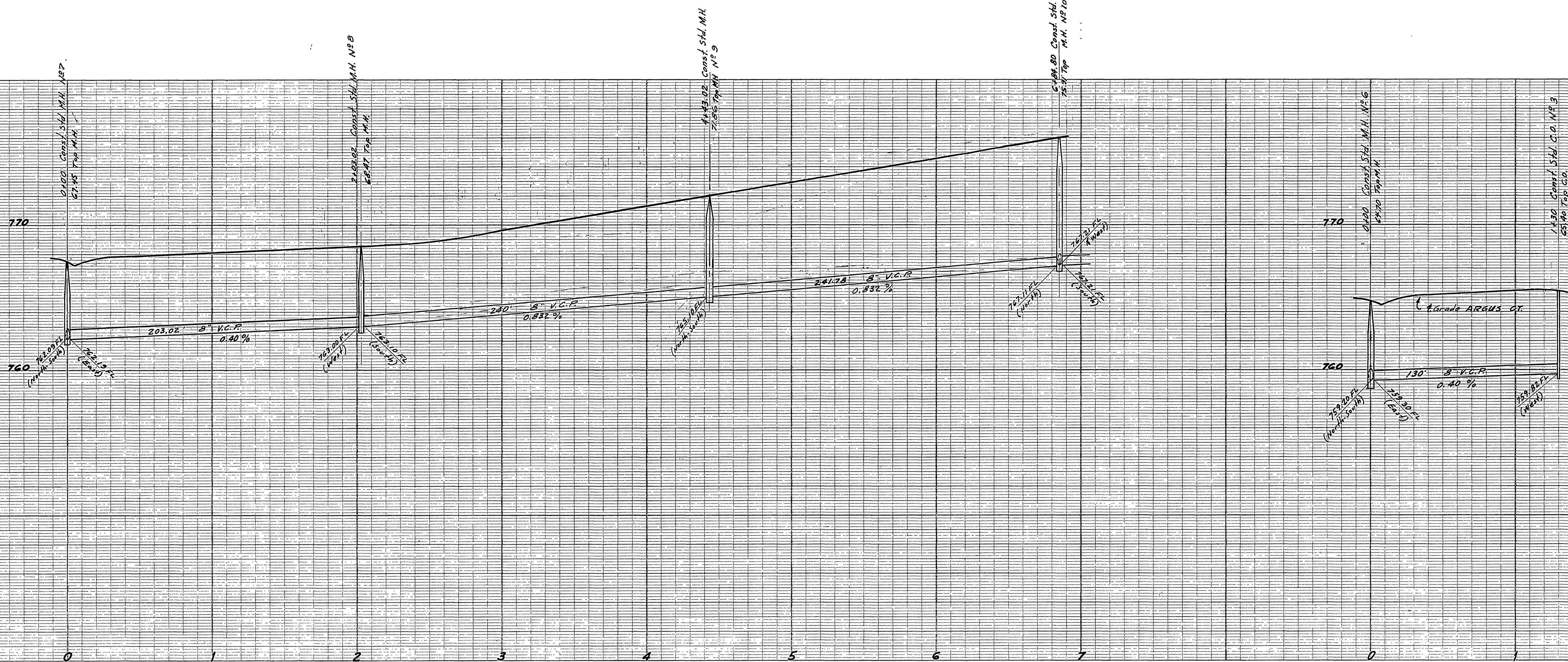
NO. S-68  
DATE March 7, 1957 SHEET 2 OF 6



NOTE: Laterals to property line to be located in the field.

SEE SHEET G FOR BRANCH LINE

J.F. DAVIDSON-CIVIL ENGINEER  
R.E. No. 862  
RIVERSIDE, CALIFORNIA  
APPROVED BY: *[Signature]* DATE 12-27-54  
CITY OF RIVERSIDE, CALIFORNIA  
DEPARTMENT OF PUBLIC WORKS  
SEWER PLAN & PROFILE  
SANDS AVE. ~ HAYDEN CT.  
ROBLYNN MANOR  
HORIZ. SCALE 1"=40' VERT. SCALE 1"=4'  
APPROVED BY: *[Signature]*  
Director of Public Works  
DATE March 7, 1957  
NO. S-68  
SHEET 3 OF 6



NOTE: Laterals to property line to be located in the field.

PROPERTY OF  
CITY OF RIVERSIDE  
DEPT. OF PUBLIC WORKS  
ENGINEERING DIVISION

J.F. DAVIDSON-CIVIL ENGINEER  
R.E. No 882  
RIVERSIDE, CALIFORNIA  
APPROVED BY *J.F. Davidson* DATE 12-27-54

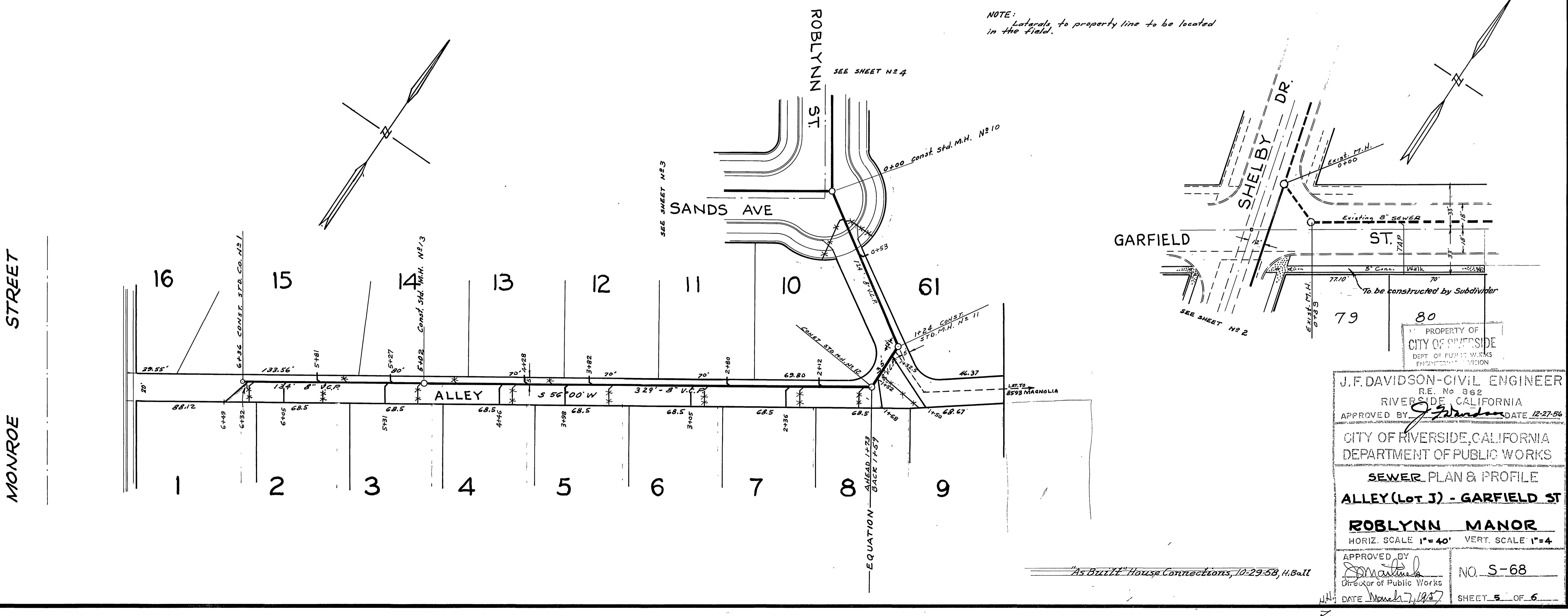
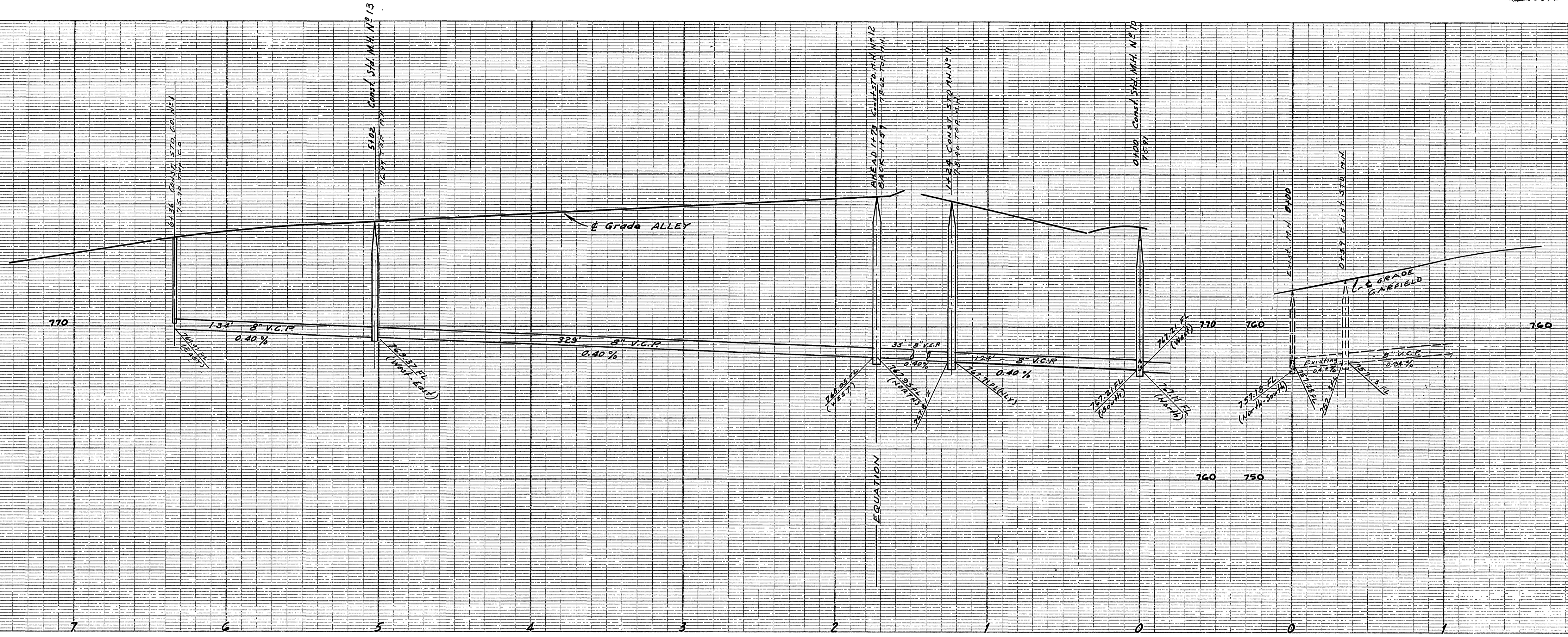
CITY OF RIVERSIDE, CALIFORNIA  
DEPARTMENT OF PUBLIC WORKS

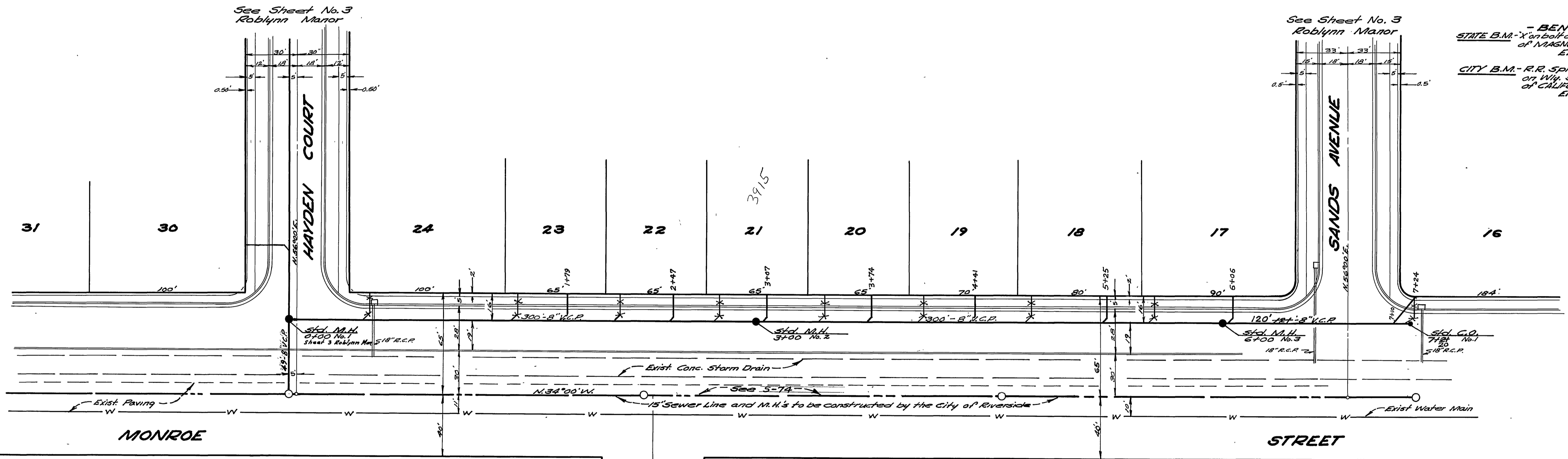
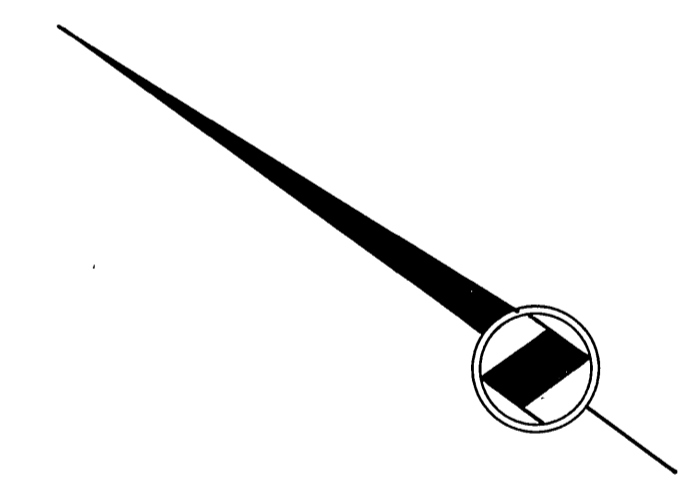
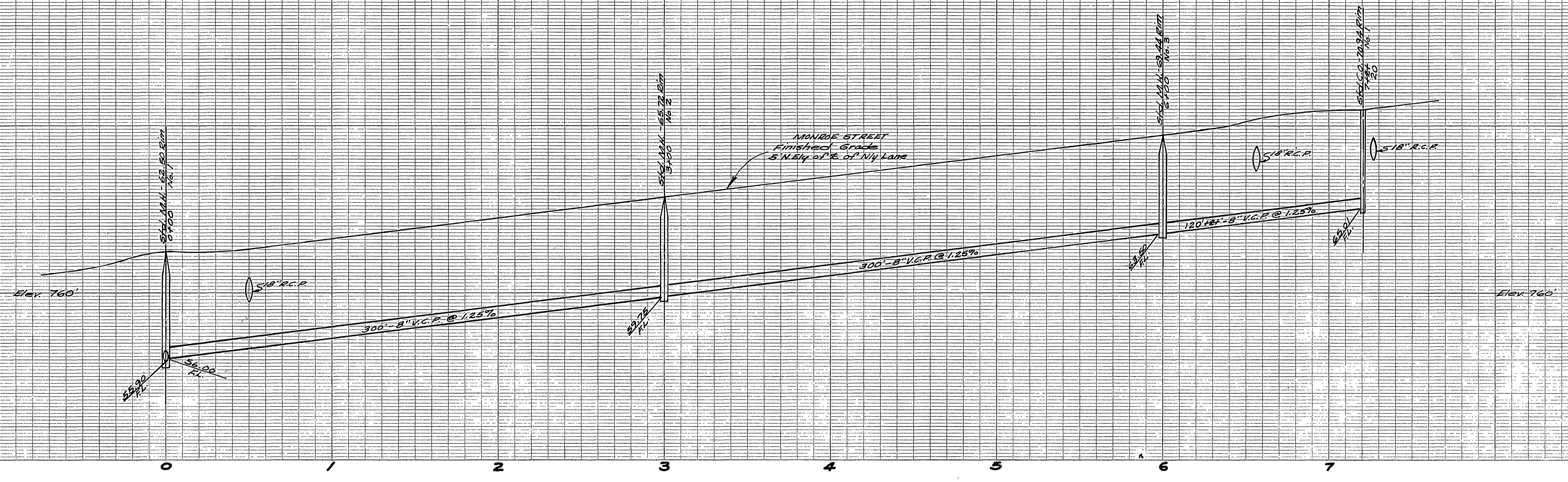
SEWER PLAN & PROFILE  
ROBLYNN ST. ~ ARGUS CT.

ROBLYNN MANOR  
HORIZ. SCALE 1" = 40' VERT. SCALE 1" = 4'

APPROVED BY *J.F. Davidson*  
Director of Public Works  
DATE March 7, 1957

NO. S-68  
SHEET 4 OF 6





**- BENCH MARK -**  
STATE B.M. - X on back on top of Fire Hydrant S.W. Cor. of MARSHALL AVE. and MONROE ST.  
Elev. 761.799'  
CITY B.M. - R.R. Spike in Power Pole No. 16-3811J on W. side MONROE ST. 400' S. of CALIFORNIA AVE.  
Elev. 760.296'

**NOTE**  
Sewer Laterals to be located in the field.

J.F. DAVIDSON - CIVIL ENGINEER  
RIVERSIDE, CALIFORNIA  
APPROVED BY *George M. ...* 1/12/56  
CITY OF RIVERSIDE, CALIFORNIA  
DEPARTMENT OF PUBLIC WORKS  
**SEWER PLAN & PROFILE**  
**BRANCH SEWER**  
**MONROE STREET**  
**ROBLYNN MANOR**  
HORIZ. SCALE 1" = 40' VERT. SCALE 1" = 4'

APPROVED BY *David ...*  
Director of Public Works  
NO. **S-68**  
SHEET 6 OF 6