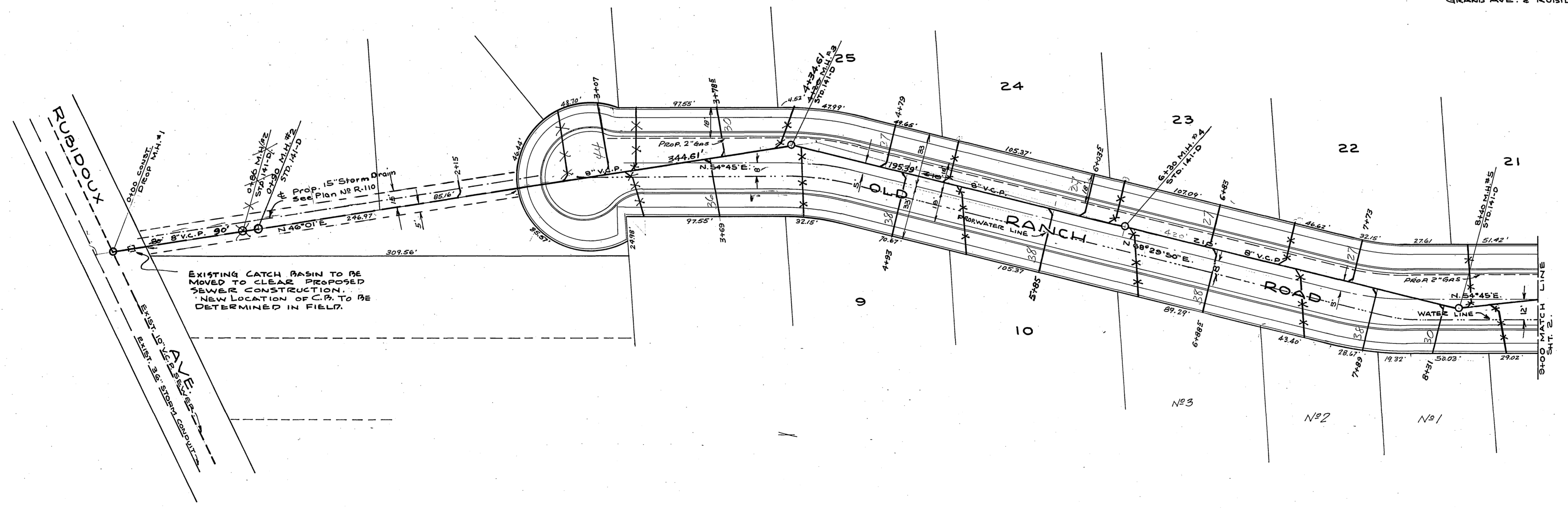


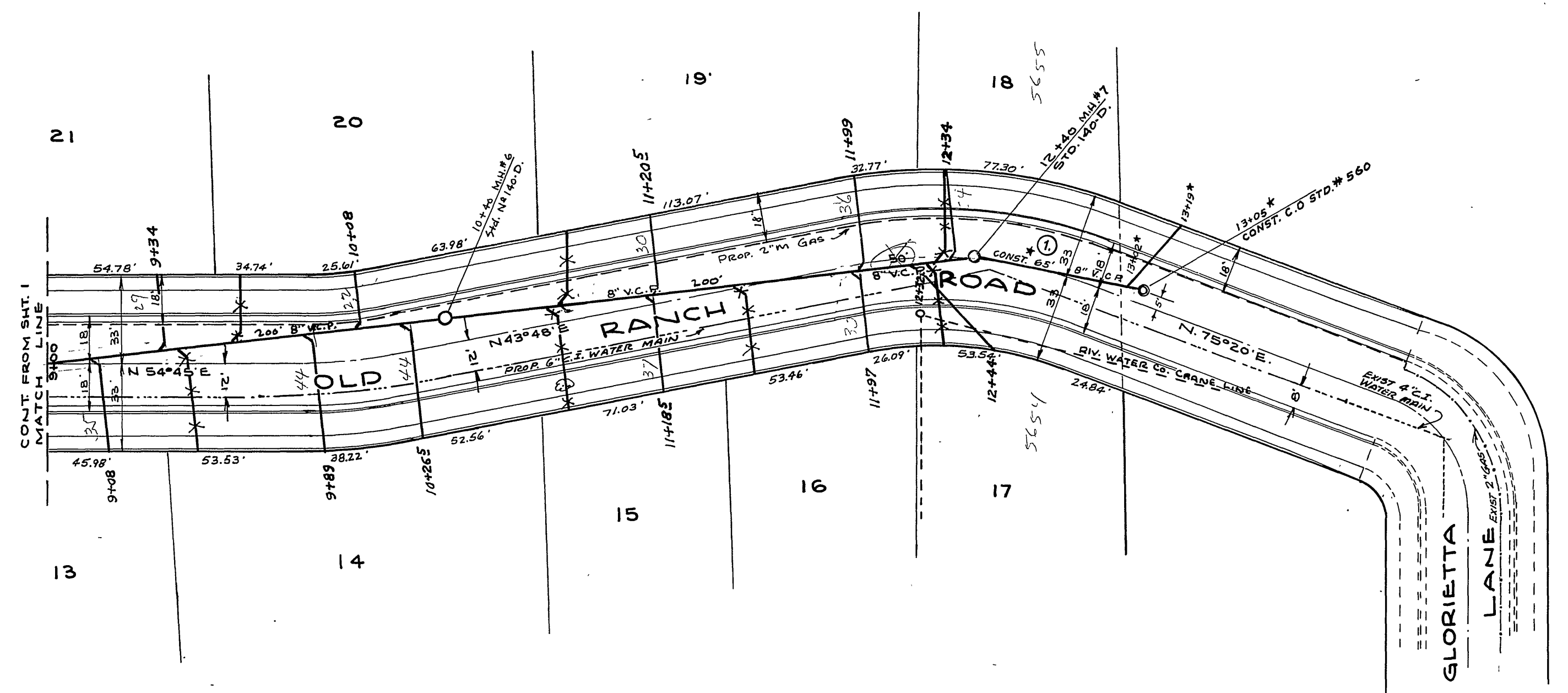
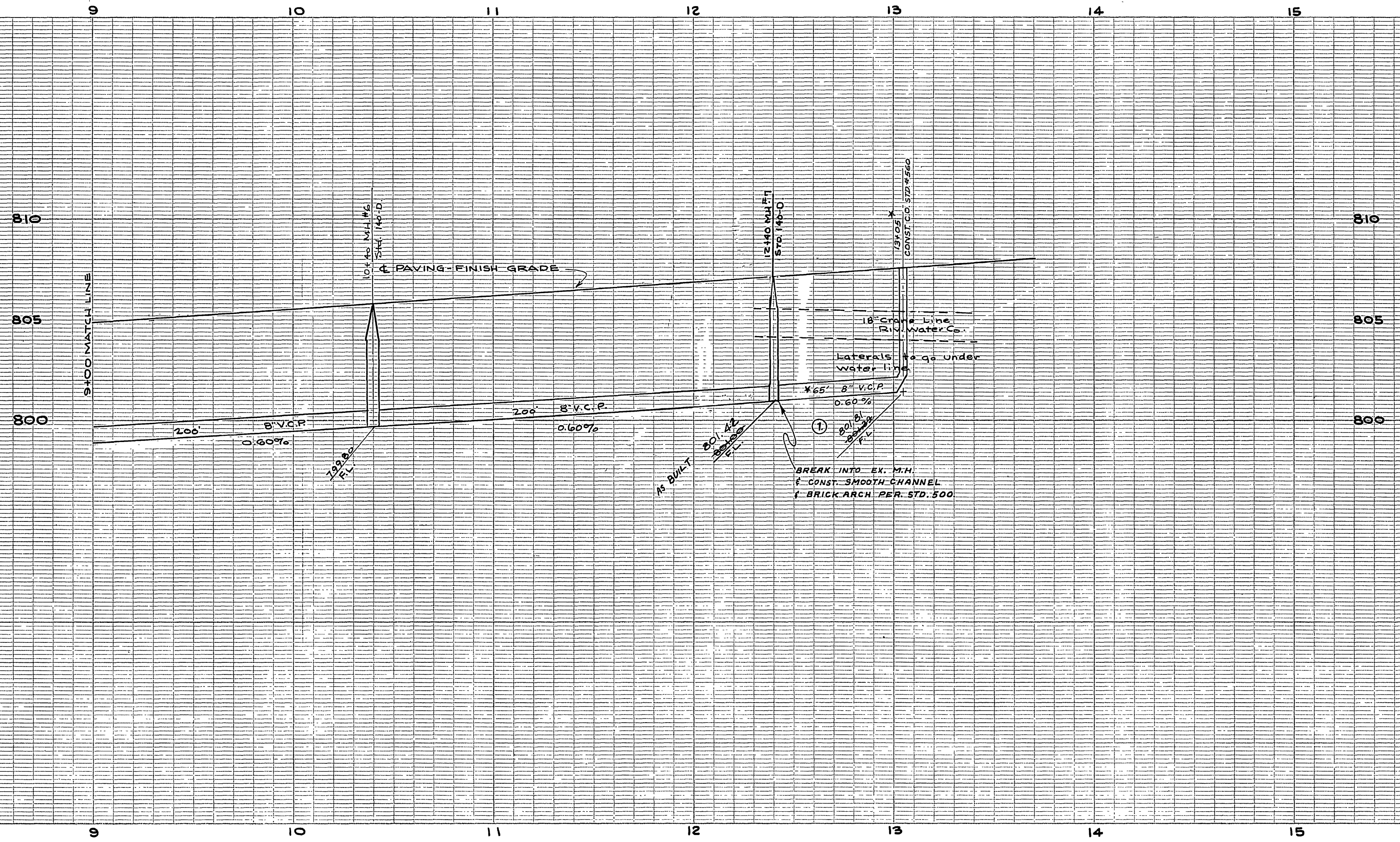
BEACH MARK  
 BENCH MARK  
 LEAD & TIN IN S.E. CORNER OF  
 WATER BOX ON S.W. CORNER OF  
 GRAND AVE. & RUBIDOUX AVE. E.L. 802.64



NOTE:  
 House connections to be  
 located in field.

SEE PLAN R-110 FOR STREET & DRAINAGE  
 PLAN AND PROFILES.  
 ALL SEWER WYES TO BE LOCATED IN FIELD

DONALD J. MCKEE, L.I.C. SURVEYOR L.S. No. 1825 RIVERSIDE, CALIFORNIA	
Approved by <i>[Signature]</i> Director of Public Works	
CITY OF RIVERSIDE, CALIFORNIA DEPARTMENT OF PUBLIC WORKS	
SEWER PLAN & PROFILE OLD RANCH ROAD 1911 ACT IMPROVEMENT DISTRICT	
Horiz. Scale 1" = 40'	Vert. Scale 1" = 4'
Approved By <i>[Signature]</i> Director of Public Works	NO. 5-75
J.B. DATE 1/27/58	SHEET 1 OF 2



BENCH MARK:  
 NAIL SET IN CONC. CITY MONUMENT  
 NEAR INTERSECTION OF GRAND AVE.  
 & CHARLOTTE WAY ELEV. 805.51

SEE PLAN R-110 FOR STREET & DRAINAGE  
 PLAN AND PROFILES.  
 ALL SEWER WYES TO BE LOCATED IN FIELD.

REVISIONS		
MARK	DATE	DESCRIPTION
①	3/30/60	ADDED 65" 8" V.C.P. STD. 12" x 40 TO STA. 13+95 B. LOW 10' 0" 76 BUILT 9" x 30" U.S.

DONALD J. MCKEE, L.L.C. SURVEYOR  
 L.S. No. 1825  
 RIVERSIDE, CALIFORNIA  
 Approved by *Donald J. McKee* Date *1/27/58*

CITY OF RIVERSIDE, CALIFORNIA  
 DEPARTMENT OF PUBLIC WORKS

SEWER PLAN & PROFILE  
 OLD RANCH ROAD  
 1911 ACT  
 IMPROVEMENT DISTRICT

Horiz. Scale 1"=40' Vert. Scale 1"=4'

APPROVED BY  
*Donald J. McKee*  
 DIRECTOR OF PUBLIC WORKS

NO. 5-75  
 DATE 1/27/58 SHEET 2 OF 2