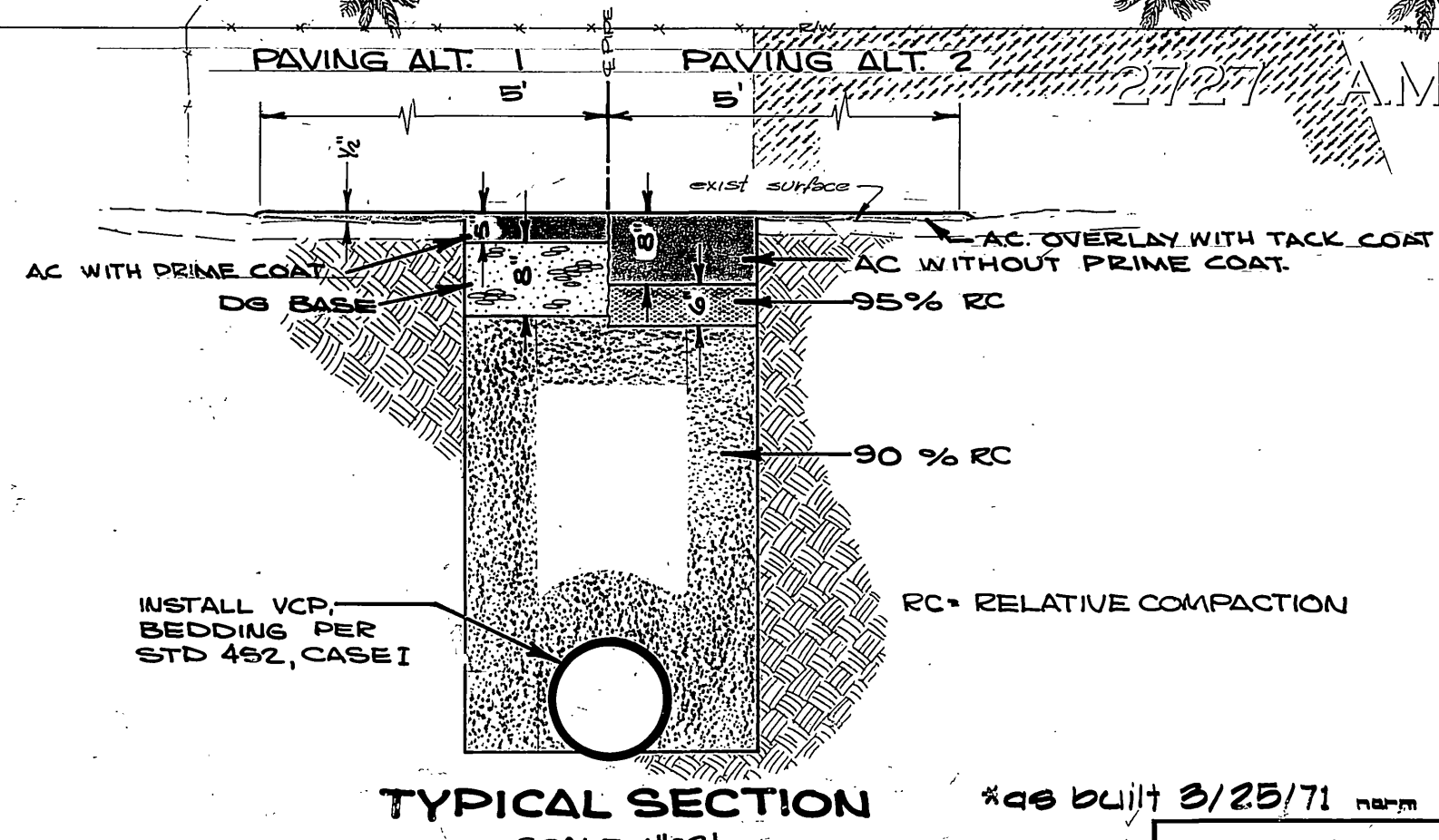
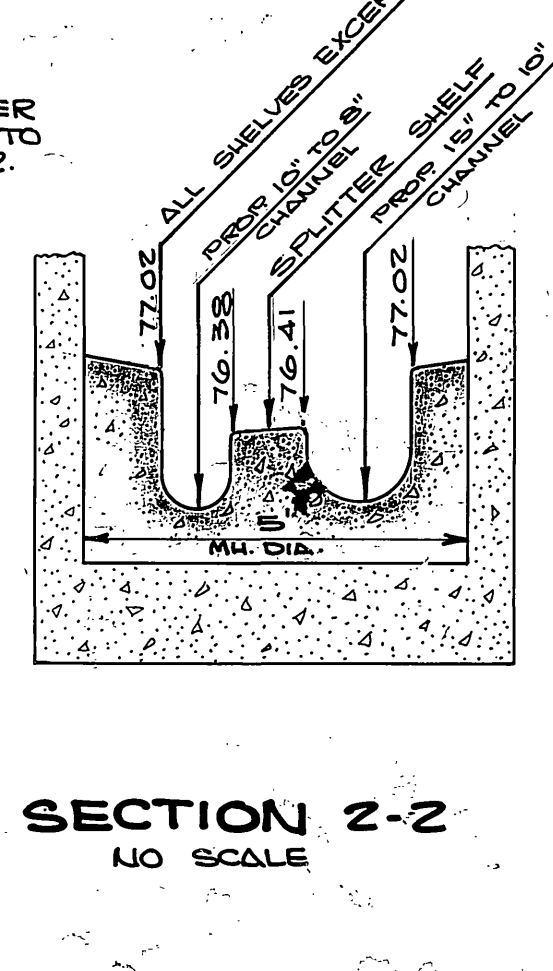
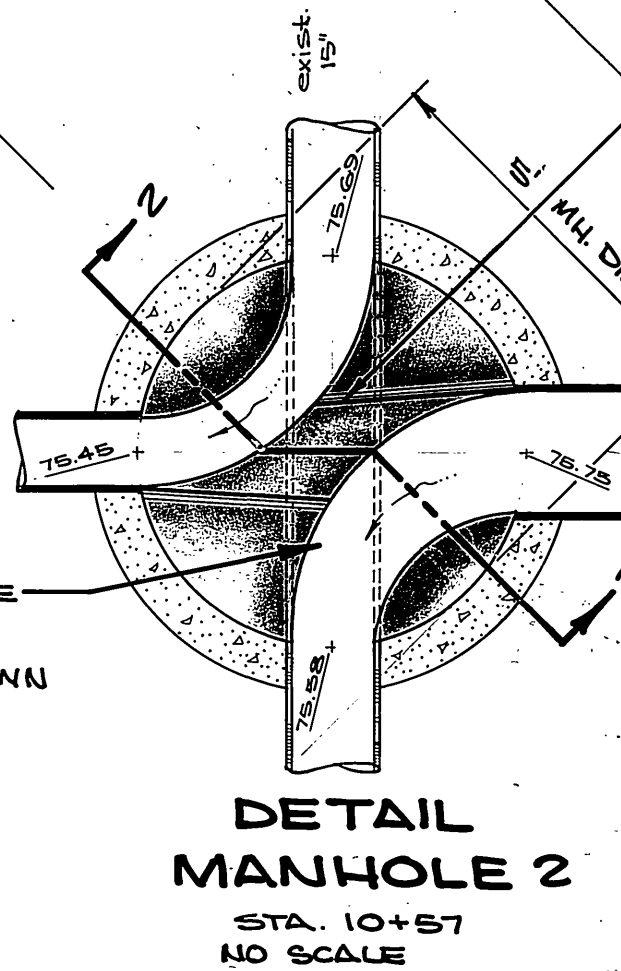
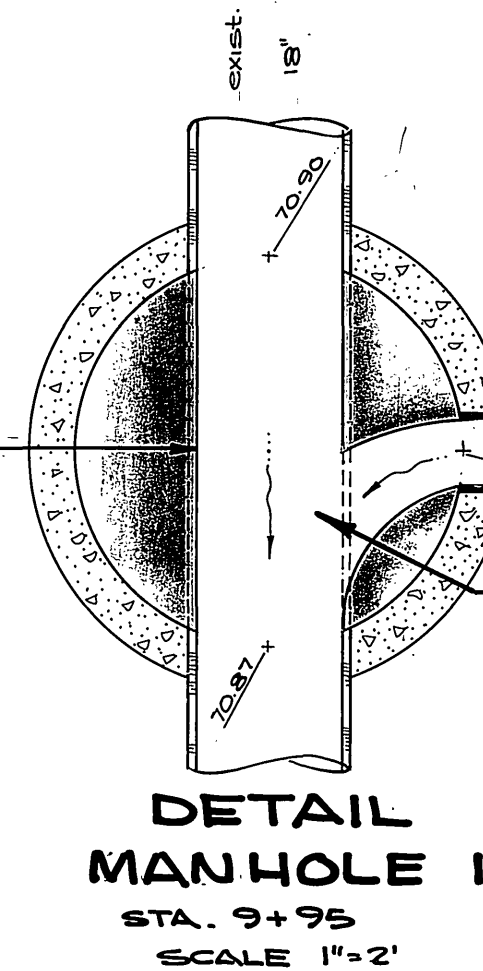
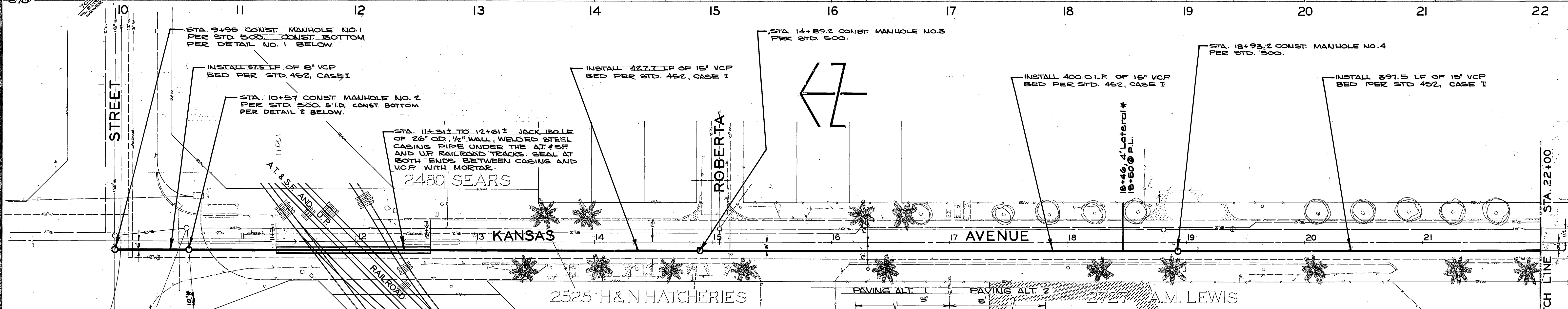


RB. 934/1-18
 B.M. TOP OF CAPPED IRON PIPE AT KANSAS AVE AND MASSACHUSETTS AVE.
 ELEV. 892.69



- GENERAL NOTES**
- EXACT LOCATIONS AND DEPTHS OF UNDERGROUND PIPES ARE UNKNOWN. THE LOCATIONS AND DEPTHS SHOWN ON THIS PLAN ARE FROM UTILITY RECORDS. THE CONTRACTOR IS REQUIRED TO TAKE DUE PRECAUTIONARY MEASURES TO LOCATE AND PROTECT ALL UNDERGROUND FACILITIES WHETHER OR NOT SHOWN ON PLANS.
 - CONTRACTOR SHALL ERECT AND MAINTAIN A BARRICADE AROUND BORE PITS.
 - THE DIMENSIONS OF STEEL CASINGS SHOWN ON PLANS ARE MINIMUM AND THE CONTRACTOR MAY EXCEED THESE DIMENSIONS AT HIS COST WITH APPROVAL OF THE ENGINEER.
 - ONLY SEWER LATERALS IN CONFLICT WITH THE NEW TRUNK SHALL BE CONNECTED TO IT, PER STD. 562.
 - CAVING OF TRENCH WALLS SHALL REQUIRE ADDITIONAL SHORING BY CONTRACTOR TO PROTECT EXISTING WATER LINES.

-CAUTION-
PACIFIC TELEPHONE
 CABLES UNDERGROUND
 BEFORE EXCAVATING
 CALL COLLECT:
 7:30 A.M. to 5 P.M. & Holidays
 Orange County 714-633-0811 714-547-6606
 Riverside County 714-684-0071 714-547-6606
 FOR FREE CABLE LOCATING SERVICE

APPROVED BY: *Howard R. Conner* 7-22-70
 CHIEF UTILITIES ENGINEER-WATER

CITY OF RIVERSIDE, CALIFORNIA
 DEPARTMENT OF PUBLIC WORKS

APPROVED BY: *[Signature]*
 DIRECTOR OF PUBLIC WORKS

DATE: 8-7-70

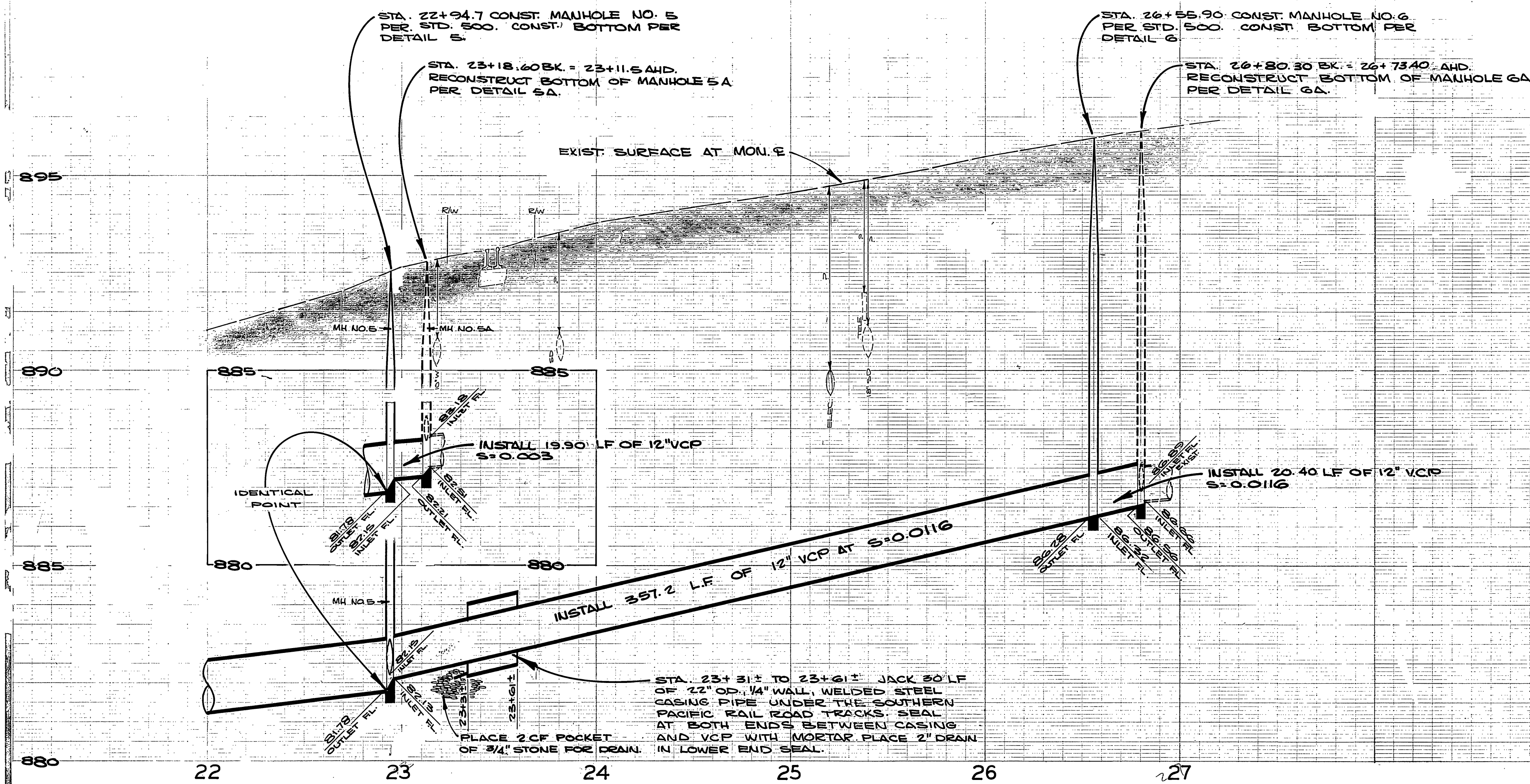
DESIGNED BY: VCH DRAWN BY: JOR CHECKED BY: LLS

PROJECT NO. KANSAS AVENUE TRUNK RELIEF SEWER SPRUCE ST. TO LYMAN ST.

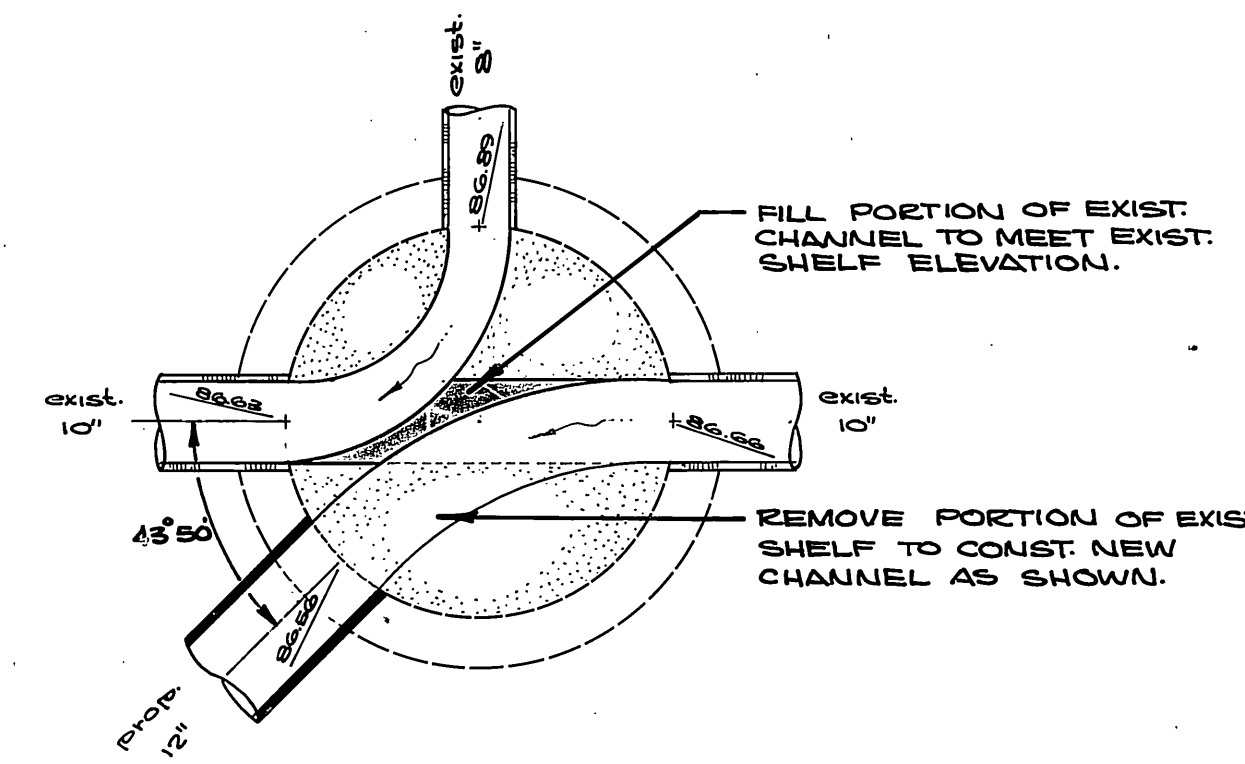
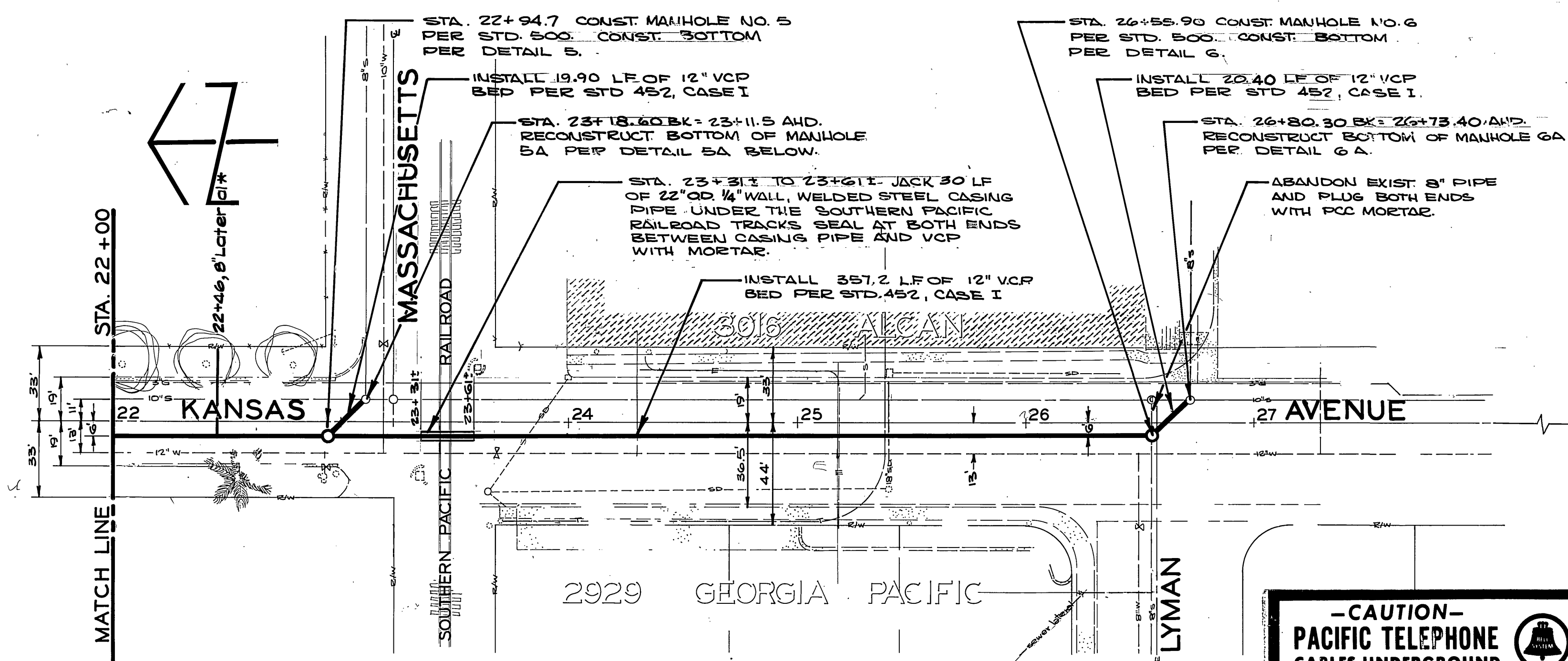
SHEET 1 OF 2

FILE NO. S-765

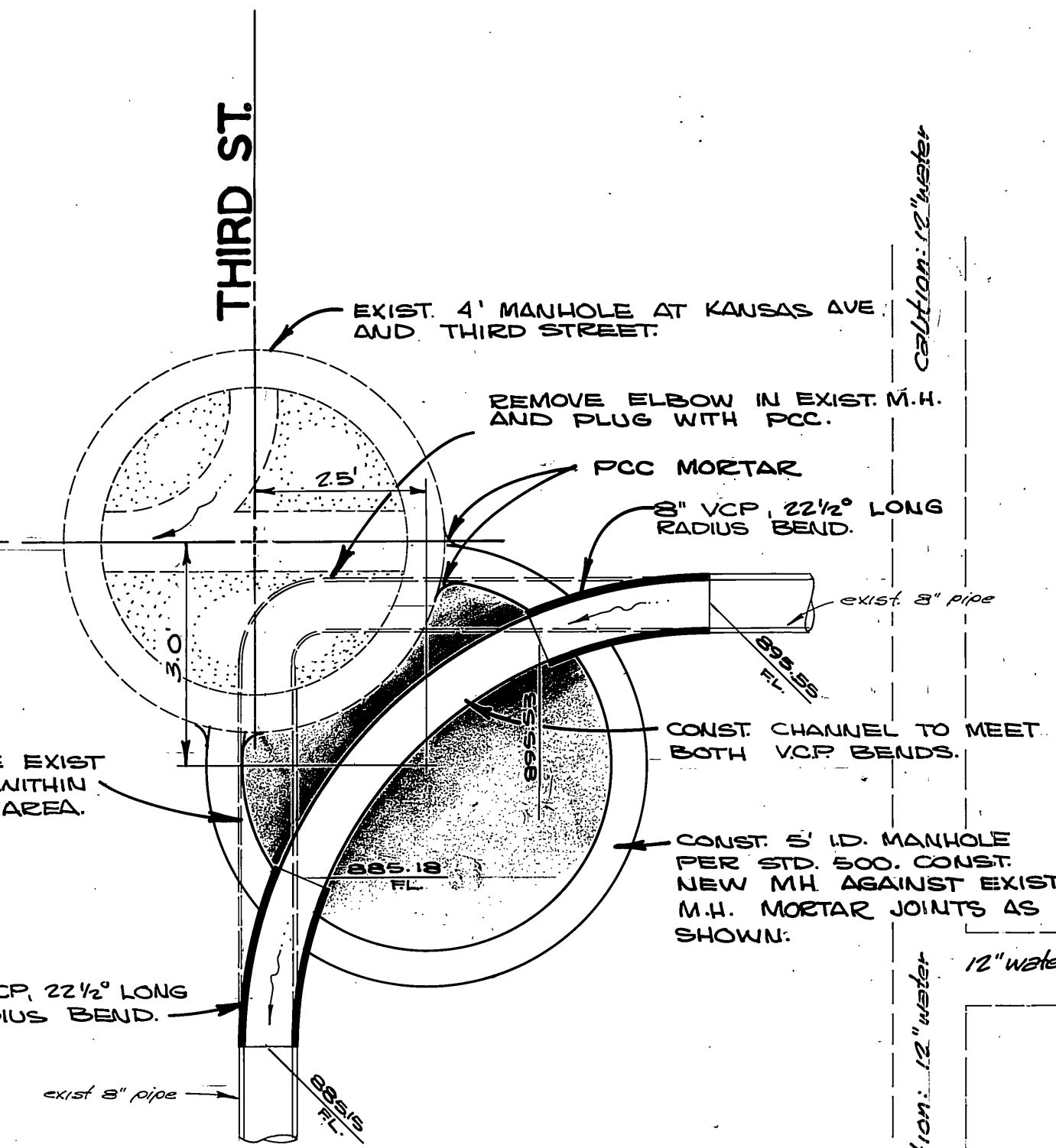
HORIZ. SCALE: 1" = 40' VERT. SCALE: 1" = 2'



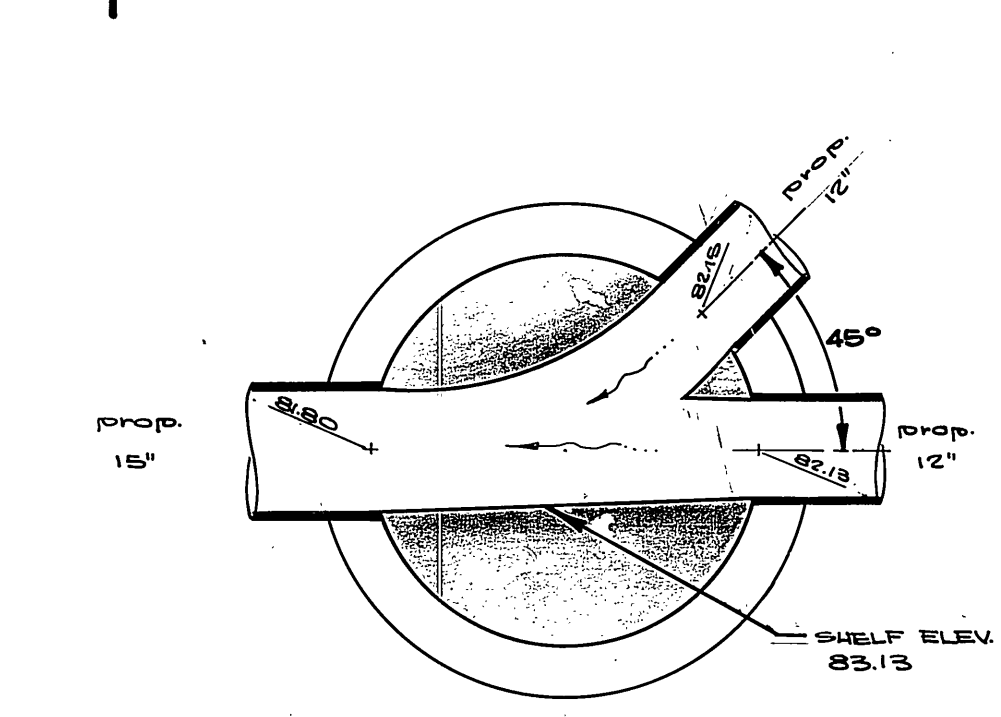
FB 93A/1-18
 B.M. TOP OF CAPPED
 IRON PIPE AT
 KANSAS AVE AND
 MASSACHUSETTS
 AVE.
 ELEV. 892.69



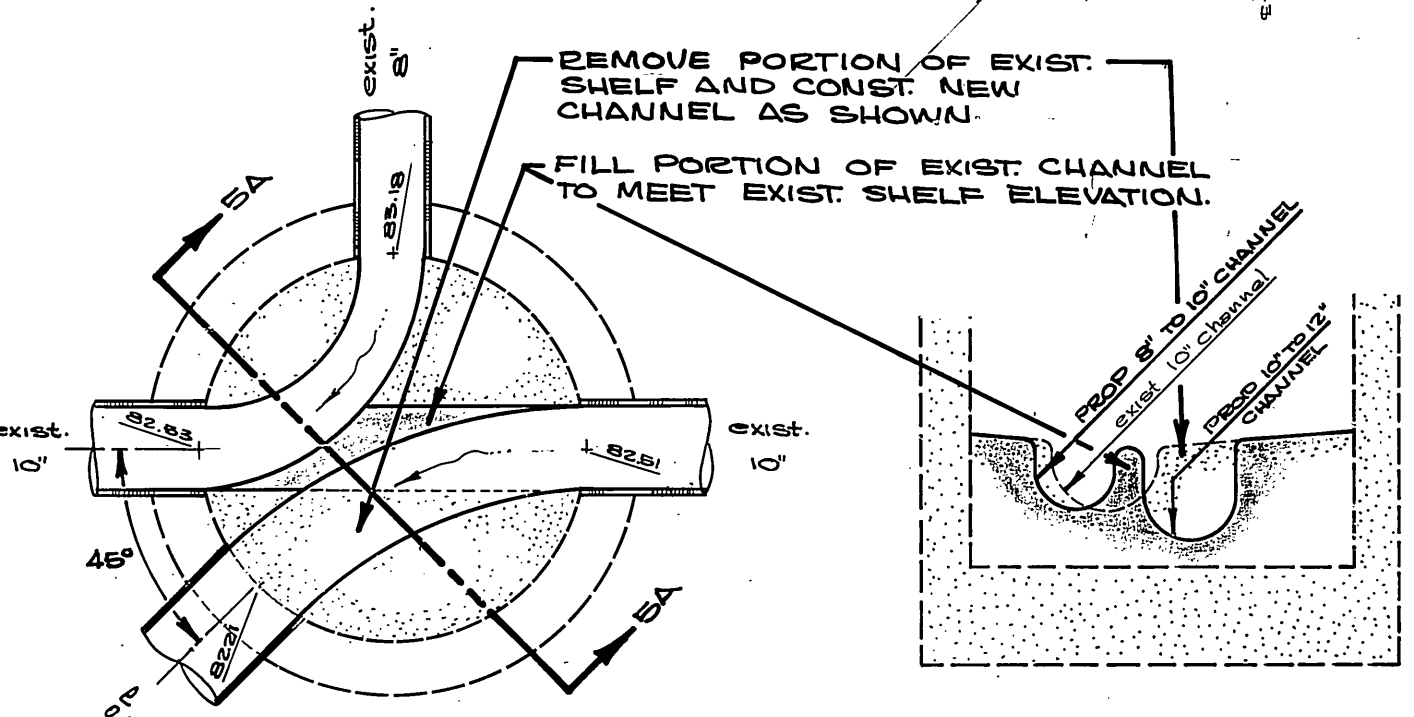
DETAIL MANHOLE 6A
 KANSAS AVE.
 STA 26+80.15 BK = 26+73.40 AHD.
 SCALE 1"=2'



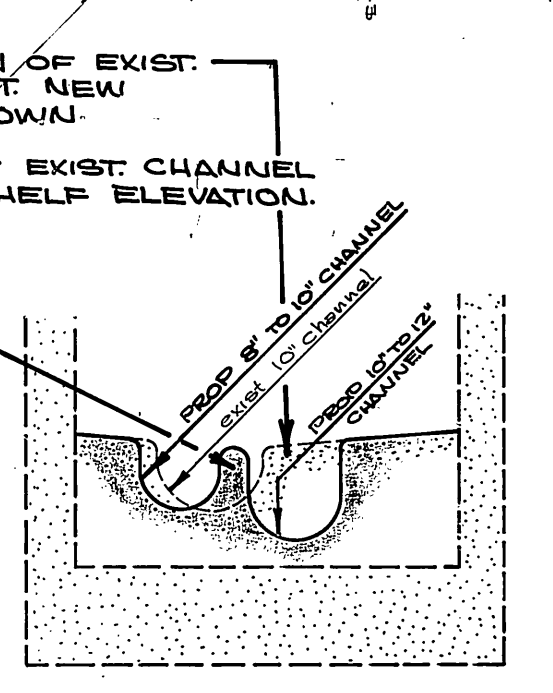
DIVERSION MANHOLE
 AT KANSAS AVE AND THIRD STREET
 SCALE 1"=2'



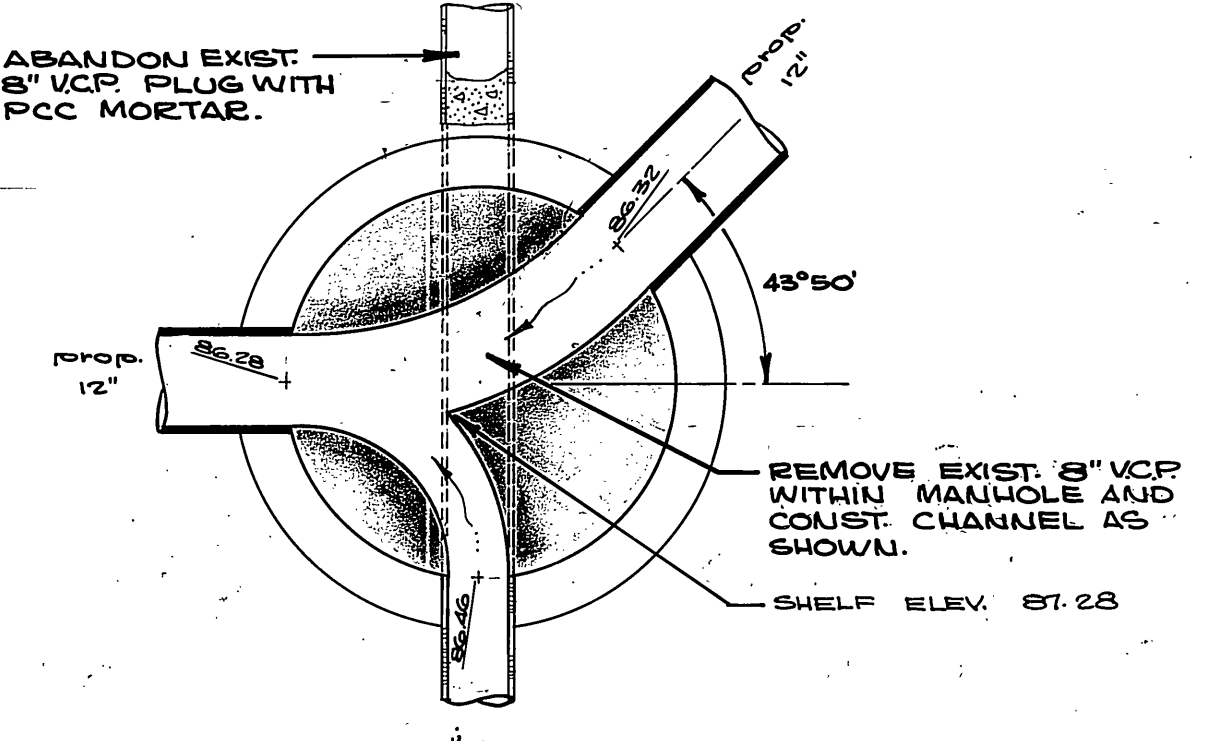
DETAIL MANHOLE 5
 STA. 22+94.70
 SCALE 1"=2'



DETAIL MANHOLE 5A
 STA. 23+18.46 BK = 23+11.50 AHD.
 SCALE 1 1/2"=2'



SECTION 5A-5A
 SCALE 1"=2'



DETAIL MANHOLE 6
 STA. 26+55.90
 SCALE 1"=2'

DESIGNED BY VEH		DRAWN BY DPK		CHECKED BY L.L.	
APPROVED BY		DATE		APPROVED BY	
PRINCIPAL ENGINEER		7/26		SUPERVISOR OF PUBLIC WORKS	
TRAFFIC DIVISION		DATE 8-7-70		PROJECT NO.	
CHIEF P. W. ENGR.				CITY OF RIVERSIDE, CALIFORNIA	
DATE 8-7-70				DEPARTMENT OF PUBLIC WORKS	

KANSAS AVENUE TRUNK RELIEF SEWER
 SPRUCE ST. TO LYMAN ST.
 PRO. CT NO. **S-765**
 SHEET 2