

GENERAL CONSTRUCTION NOTES

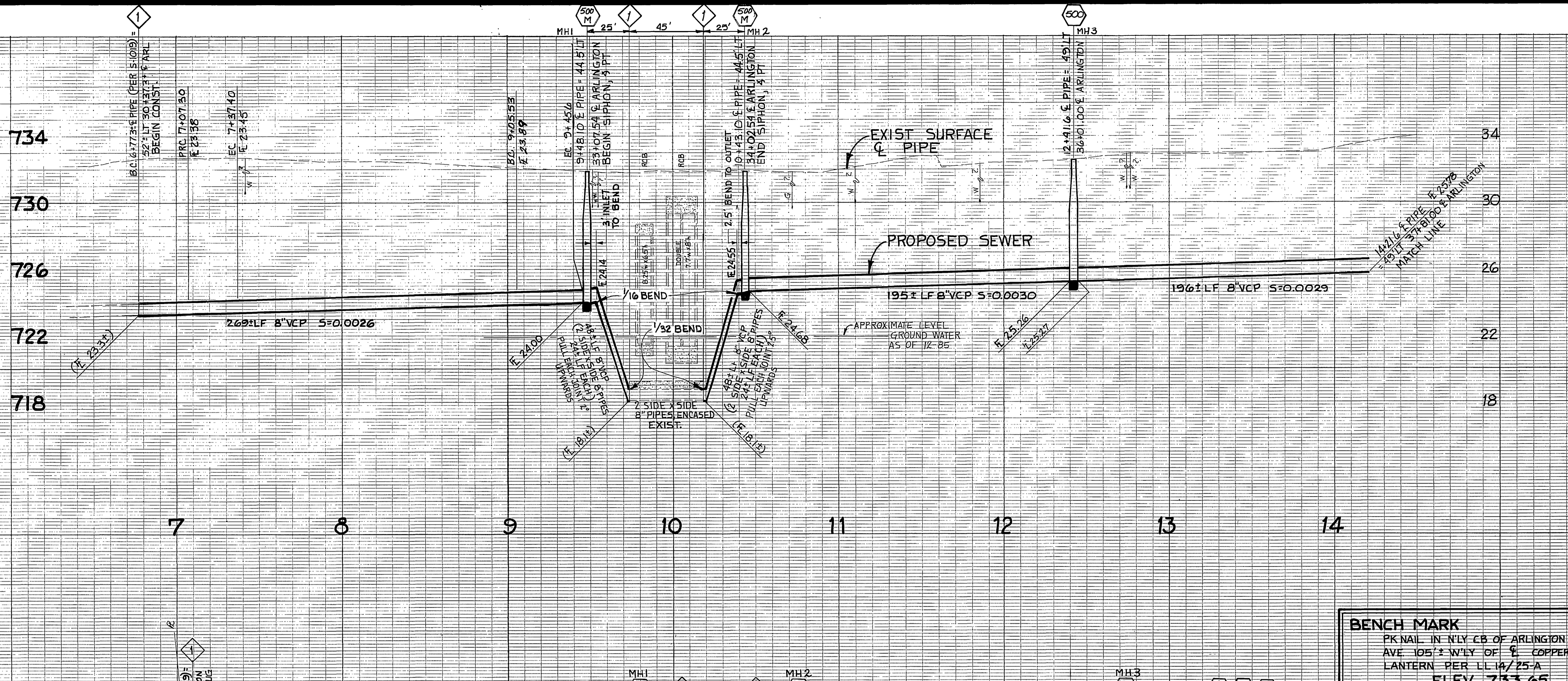
- EXISTING UTILITIES SHOWN ON THIS PLAN ARE PLOTTED FROM UTILITY RECORDS. THE CONTRACTOR IS REQUIRED TO TAKE DUE PRECAUTIONARY MEASURES TO LOCATE & PROTECT ALL UTILITIES, WHETHER OR NOT SHOWN ON THIS PLAN. IF THE COVER OF A UTILITY IS KNOWN, IT IS SHOWN IN THE PROFILE. UTILITIES SHOWN IN THE PROFILE AS "I" INDICATE THAT THE COVER IS UNKNOWN BUT THE UTILITY IS NOT EXPECTED TO CONFLICT WITH THE PROPOSED IMPROVEMENTS.
- ALL ELEVATIONS SHOWN ON THE PLAN SHALL BE STAKED IN THE FIELD.
- LOCATIONS OF SEWER LATERALS SHOWN ON THE PLAN ARE APPROXIMATE. SEWER LATERALS SHALL BE LOCATED IN THE FIELD BY THE CONTRACTOR AT THE TIME OF CONSTRUCTION.
- ALL SEWER LATERALS SHALL BE RECONNECTED TO THE PROPOSED SEWER LINE AS INSTALLATION PROGRESSES UPSTREAM. RECONNECTION SHALL INCLUDE THE NECESSARY PIPE EXTENSION OR SHORTENING OF ANY LATERAL LINE.
- THIS WORK REQUIRES AN A, C-34, OR C-42 LICENSE.

SPECIFIC CONSTRUCTION NOTES

NUMBERS ABOVE 100 IN A HEXAGON ON THE PLAN REFER TO THE RESPECTIVE STANDARD DRAWING AND SHALL BE CONSTRUCTED ACCORDINGLY UNLESS MODIFICATIONS ARE NOTED ON THE PLAN OR IN THE NOTES. BELOW ANY NUMBER SHOWN BELOW THE STANDARD DRAWING NUMBER INDICATES THE SPECIFIC ALTERNATE TO BE CONSTRUCTED.

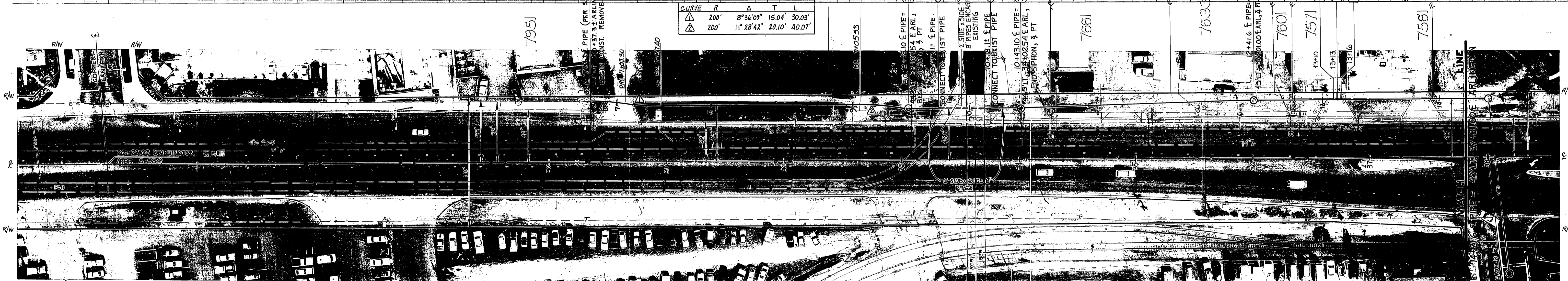
SEE MANHOLE DETAIL THIS SHEET, ROTATE ECCENTRIC CONE 90° TO THE NORTH.

PRIOR TO CONSTRUCTION CONTRACTOR SHALL FILL EXISTING FACILITIES AT CONNECTION POINTS TO OBTAIN LOCATION AND E ELEVATION.



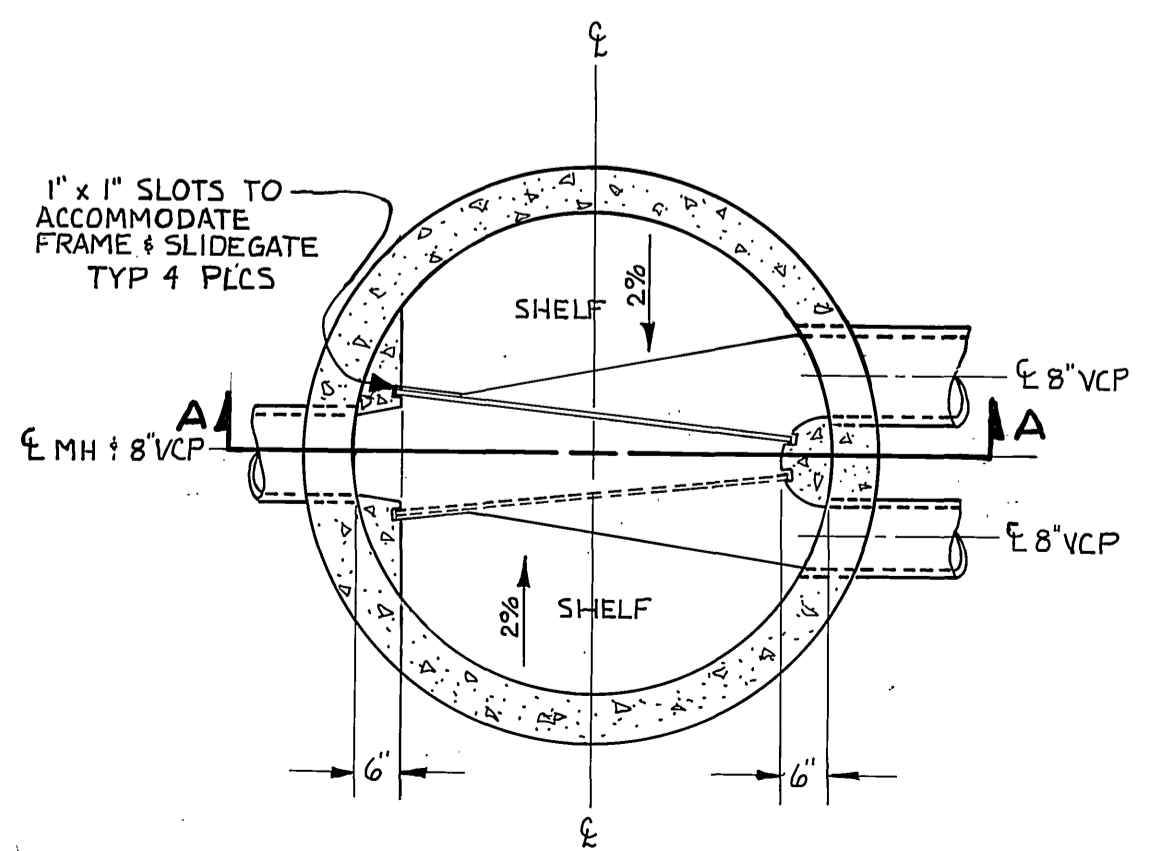
BENCH MARK
PK NAIL IN N'LY CB OF ARLINGTON AVE 105'± W'LY OF E COPPER LANTERN PER LL 14/25-A
ELEV 733.65

CURVE	R	A	T	L
△	200'	8°34'09"	15.04'	30.03'
△	200'	11°28'42"	20.10'	40.07'

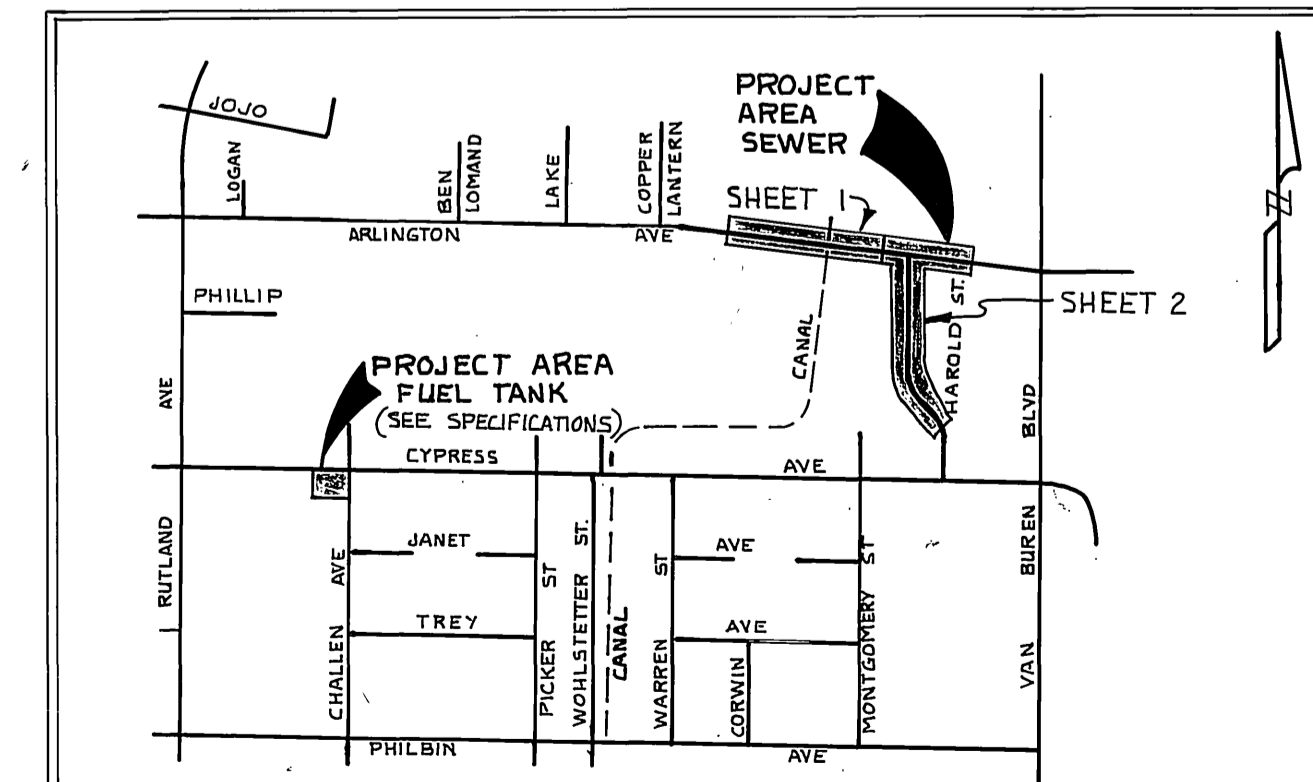
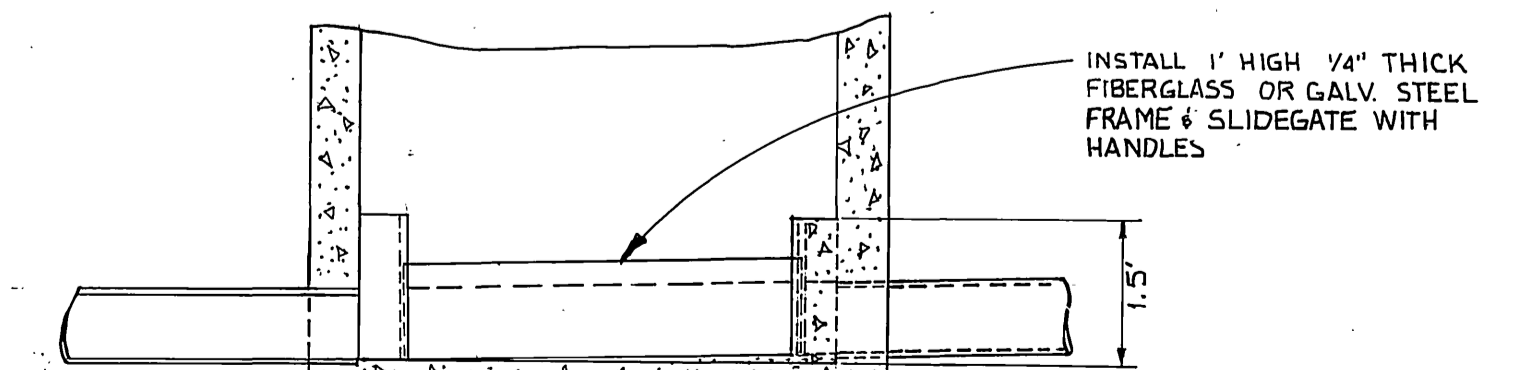


ARLINGTON AVENUE

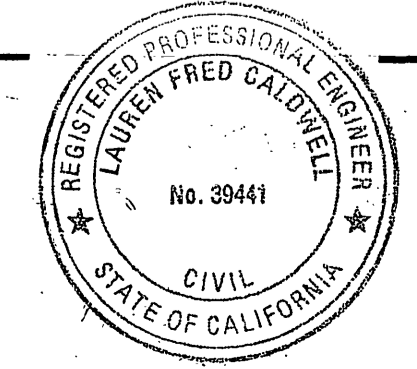
MANHOLE DETAIL
SCALE: 1" = 20"



SECTION A-A
SCALE: 1" = 20"



ENGINEER IN RESPONSIBLE CHARGE
Lauren F. Caldwell
LAUREN F. CALDWELL
R.C.E. 39441 expires 12/31/83
DATE July 22, 1986



MARK	DESIGNED BY BLD	REVISIONS	DRAWN BY BLD	CHECKED BY DEC	APPR. DATE

CITY OF RIVERSIDE
PUBLIC WORKS DEPARTMENT
APPROVED BY: [Signature] 7/23/86
PRINCIPAL ENGINEER
SURVEY: [Signature] 7/22/86
TRAFFIC DIVISION
CHIEF P.W. ENGINEER
INSPECTION: [Signature] 7-23-86

ARLINGTON PLAZA PUMP STATION RELIEF
ARLINGTON AVE
COPPER LANTERN DR TO HAROLD ST
APPROVED BY: [Signature]
PUBLIC WORKS DIRECTOR
DATE 7-25-86

ACCOUNT NO. 32-577-572
S-767
SHEET 1 OF 2
FILE NO.

VAN BUREN

AVENUE

BLVD. 30

6350

HAROLD

STREET

AVENUE

7305

7383

7431

7445

7475

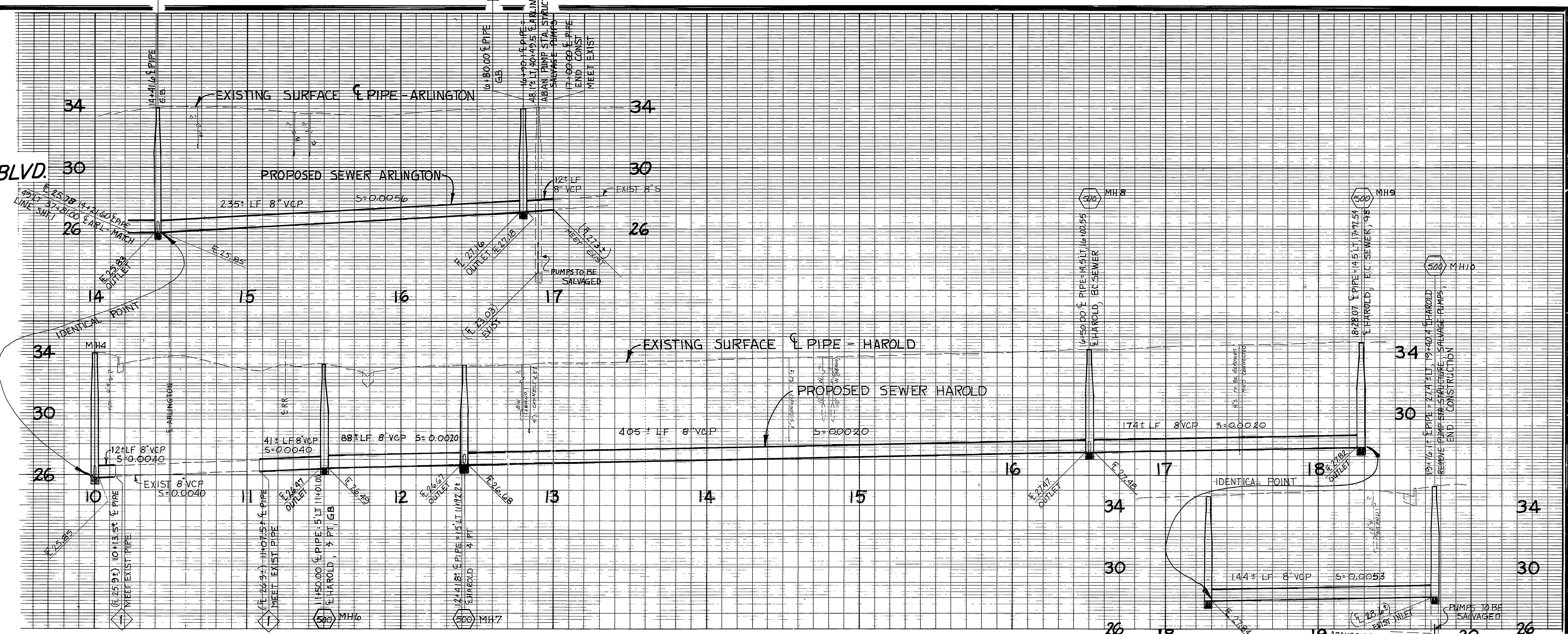
7509

7525

7531

7549 MATCH

14+21.60



- NOTES:
1. CONSTRUCT PROPOSED LATERAL AT 1% MIN. GRADE.
 2. REMOVE LATERAL TO R/W AND REPLACE AT 1% MIN. GRADE.

17+00.00' ± PIPE
48.1' LT 40+52.4' ± AR
END CONST. MEET EXI
16+20.1' ± PIPE = 48.1' LT
40+49.5' ± ARLINGTON
ABAND. PUMP STA. STRUCTURE
SALVAGE PUMPS

16+80.00' ± PIPE
500 MH5

ABANDON MH & CONNECT EXIST LATERAL
27.2' LT, 11+92.1' ± HAROLD

14+56.6' ± PIPE
CONNECT EXIST LATERAL

16+77.8' ± PIPE = 102.5' LT,
16+30.5' ± HAROLD, END LATERAL

17+14.8' ± PIPE, CONNECT EXIST
LATERAL (SEE NOTE 2.)

19+55.0' ± PIPE
CONNECT EXIST LATERAL

10+00.00' ± PIPE =
51.7' ± HAROLD & HAROLD
0+13.3' ± PIPE
CONNECT TO EXIST
PIPE

11+07.5' ± PIPE
CONNECT TO EXIST PIPE

11+50.00' ± PIPE
5' LT, 11+01.00' ± HAROLD
& PT.

12+41.75' ± PIPE
15' LT, 11+92.25' ± HAROLD
CONNECT EXIST LATERAL

13+18.00' ± PIPE
CONNECT EXIST LATERAL

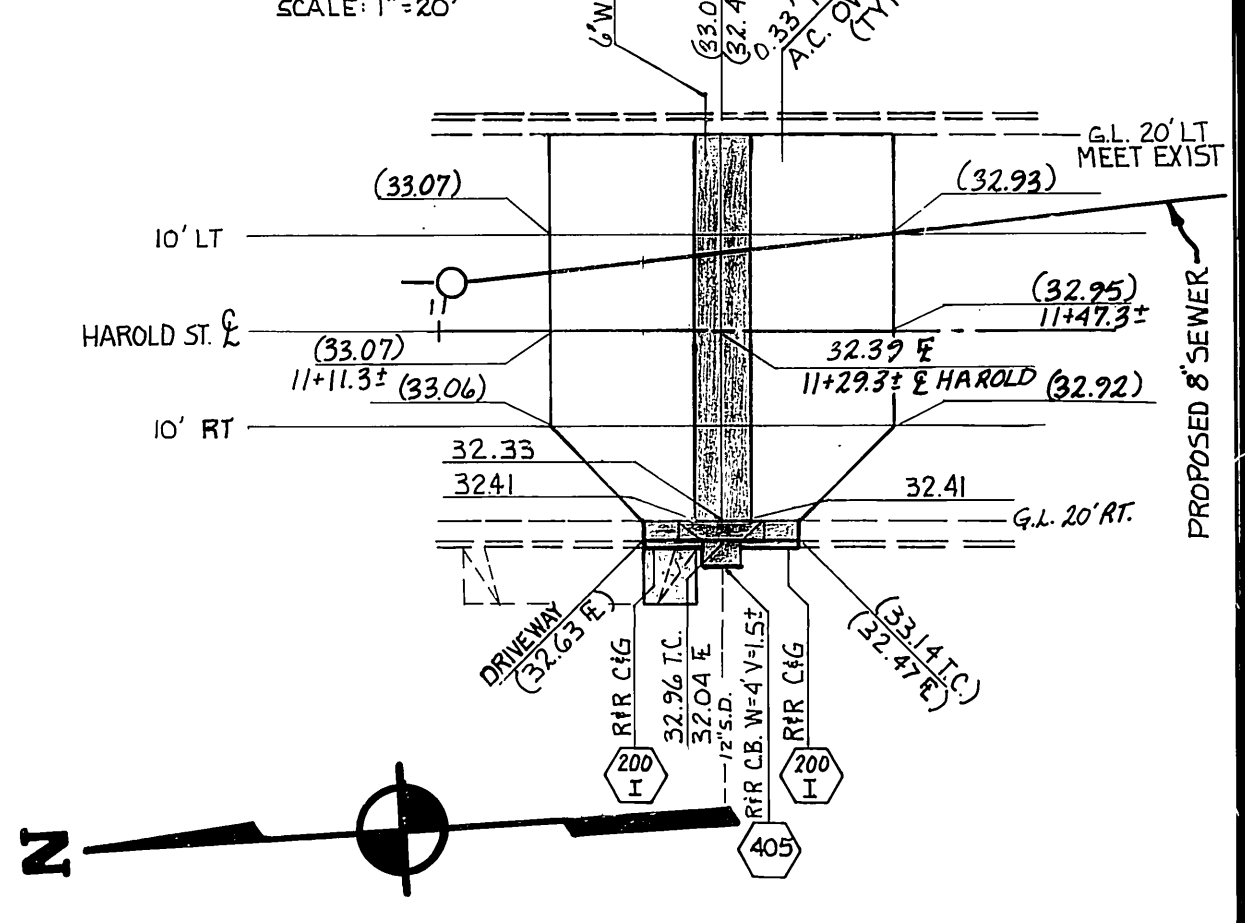
CAUTION !!!
HIGH-PRESSURE &
MEDIUM-PRESSURE
GAS LINES. PROTECT
IN PLACE.

16+50.00' ± PIPE = 145.1' LT,
16+00.55' ± HAROLD, BC SEWER
BEGIN LATERAL (SEE NOTE)

18+28.07' ± PIPE =
14.5' LT, 17+30.57' ± HAROLD
EC SEWER

19+76.11' ± PIPE = 27.4' LT, 19+40.41' ± HAROLD
PUMP STA. STRUCTURE, SALVAGE PUMPS, CONNECT
EXIST LATERALS, END CONSTRUCTION

CROSS GUTTER DETAIL
SCALE: 1" = 20"



CITY OF RIVERSIDE, CALIFORNIA PUBLIC WORKS DEPARTMENT			
APPROVED BY	BY	DATE	APPROVED BY
PRINCIPAL ENGINEER	WLS	7-22-86	W. D. Harrelson
SURVEY			DIRECTOR OF PUBLIC WORKS
TRAFFIC DIVISION			
CHIEF PUB. WKS. ENGR.			
MARK	REVISIONS	APPR. DATE	INSPECTION
500			

ARLINGTON PLAZA PUMP STATION RELIEF		ACCOUNT NO. 32-677-572
HAROLD ST		DRAWING NUMBER
ARLINGTON AVE TO CYPRESS AVE		S-767
HORIZ. SCALE: 1" = 40'		SHEET 2 OF 2
VERT. SCALE: 1" = 4'		