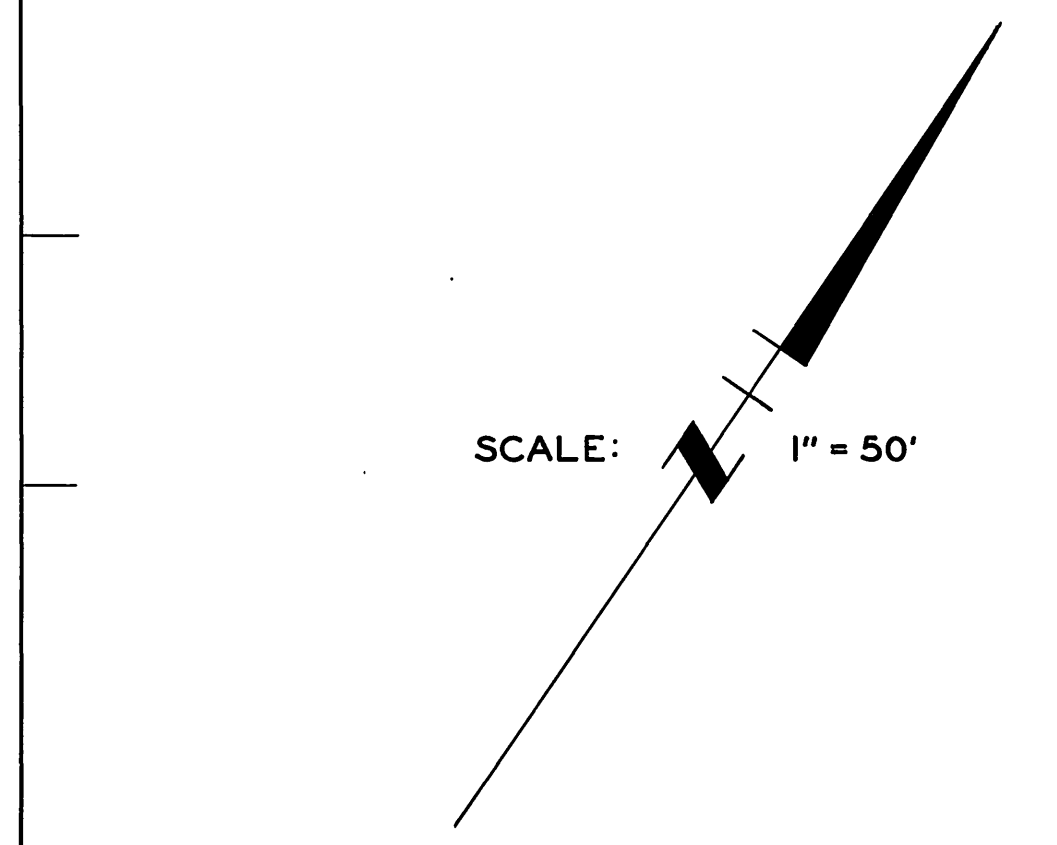
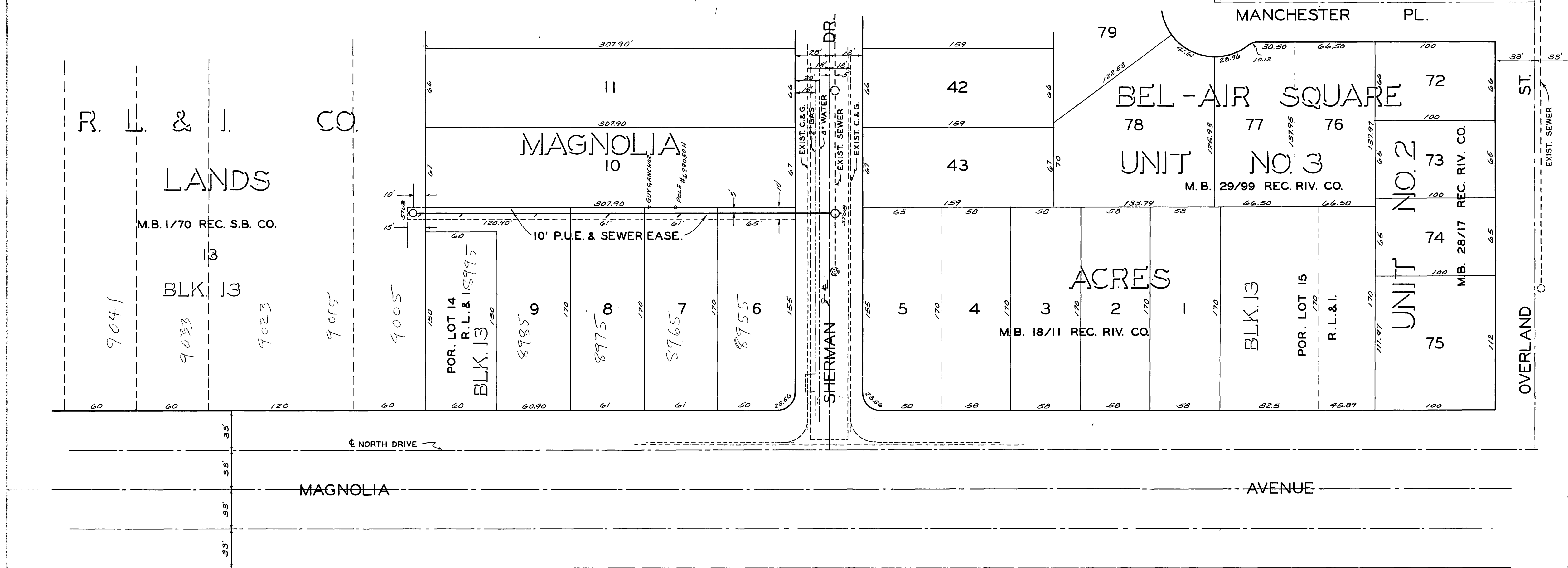


B.M. ELEV. 772.29 P.K. NAIL IN LEAD N.W. COR.
 CATCH BASIN ON S. SIDE S. DRV. MAGNOLIA ON
 E. SHERMAN PRODUCED.

F.B. 588-64

SCALES: HOR. 1" = 50'
 VERT. 1" = 5'

PROFILE	
DESIGNED BY	DATE
PLOTTED	
NOTE BOOK	
ALIGNMENT CHECKED	
BY CIVIL ENGINEER	
STATIONING	
WATERS CHECKED	



PLAN	
DESIGNED BY	DATE
PLOTTED	
NOTE BOOK	
ALIGNMENT CHECKED	
BY CIVIL ENGINEER	
STATIONING	
WATERS CHECKED	

REVISIONS		CITY OF RIVERSIDE CALIFORNIA DEPARTMENT OF PUBLIC WORKS	
MARK	DATE	DESCRIPTION	

**SEWER PLAN & PROFILE
 IN
 MAGNOLIA ACRES EASEMENT
 WEST OF SHERMAN DRIVE**

DESIGNED BY	CHECKED BY: H.H.	APPROVED BY	S-78
DRAWN BY: <i>en</i>		<i>Thomas L. Deke</i> DIRECTOR OF PUBLIC WORKS	
RECOMMENDED BY: <i>Thomas L. Deke</i> ASSISTANT CITY ENGINEER		DATE: <i>March 19, 1907</i>	SHEET 1 OF 1