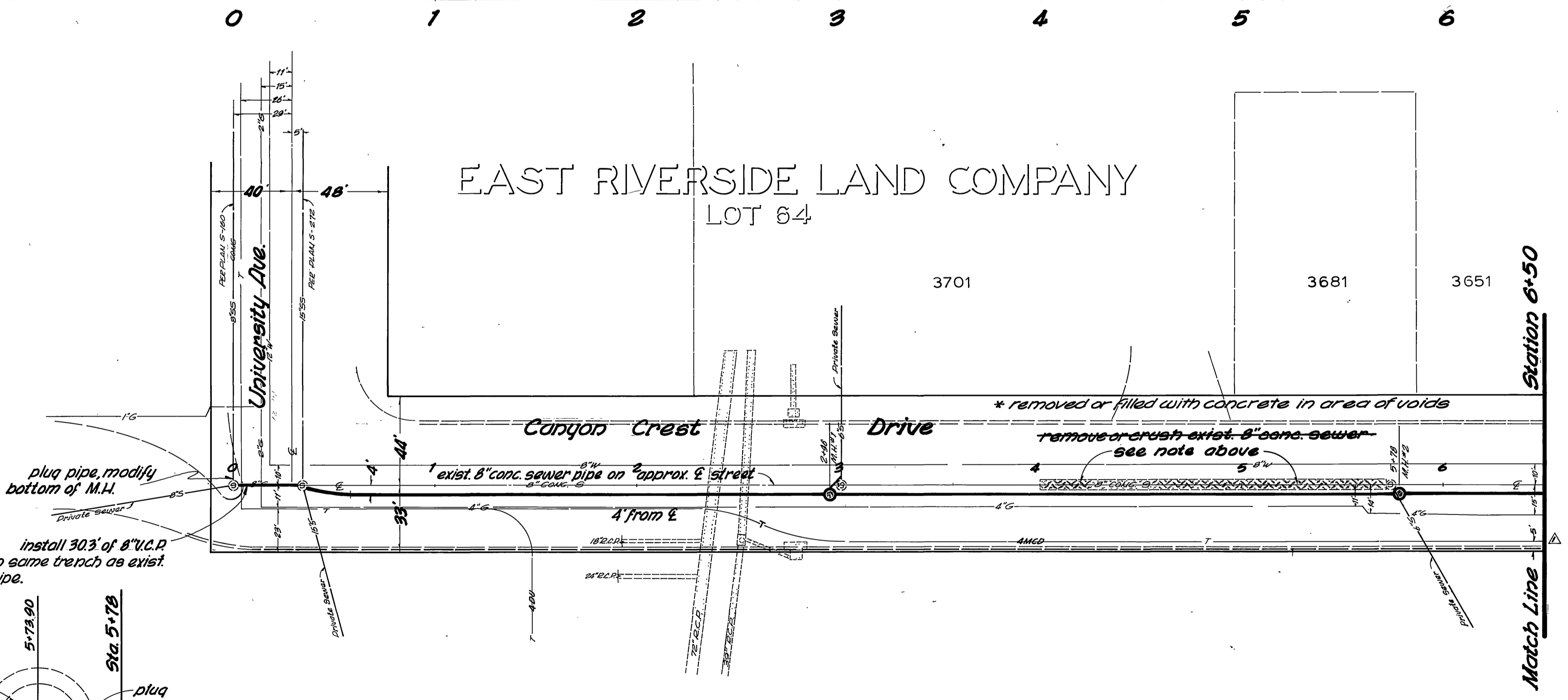
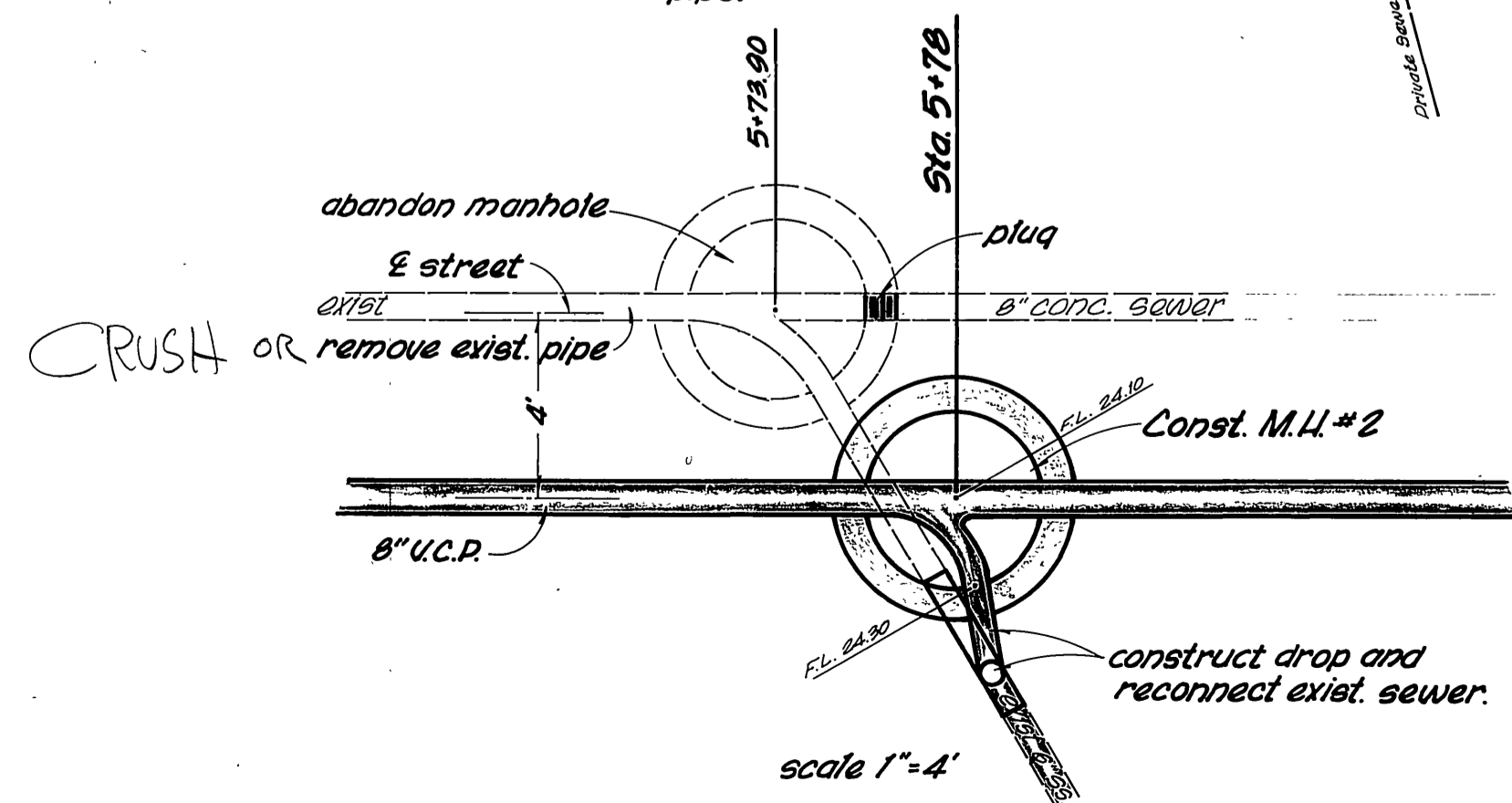
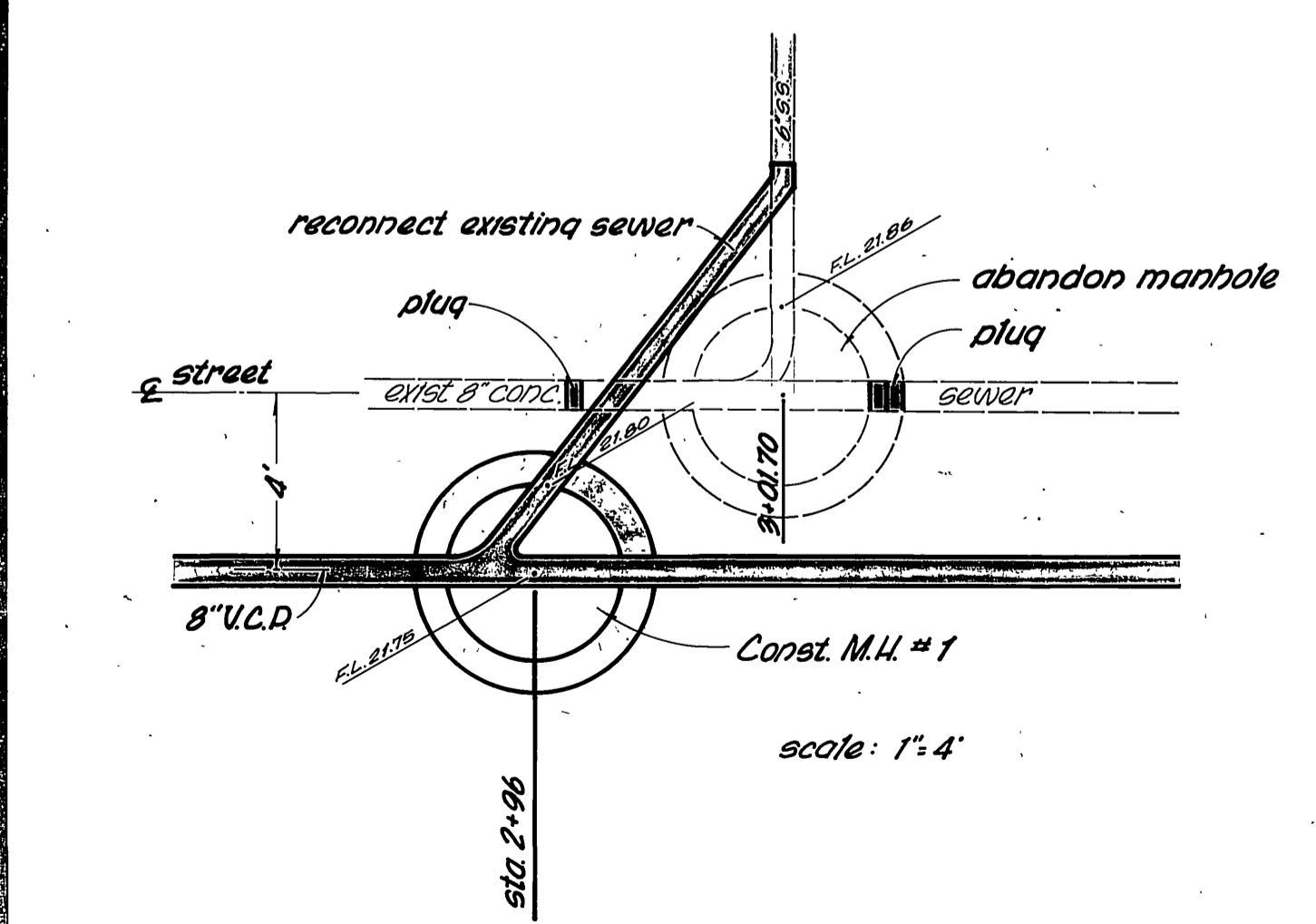
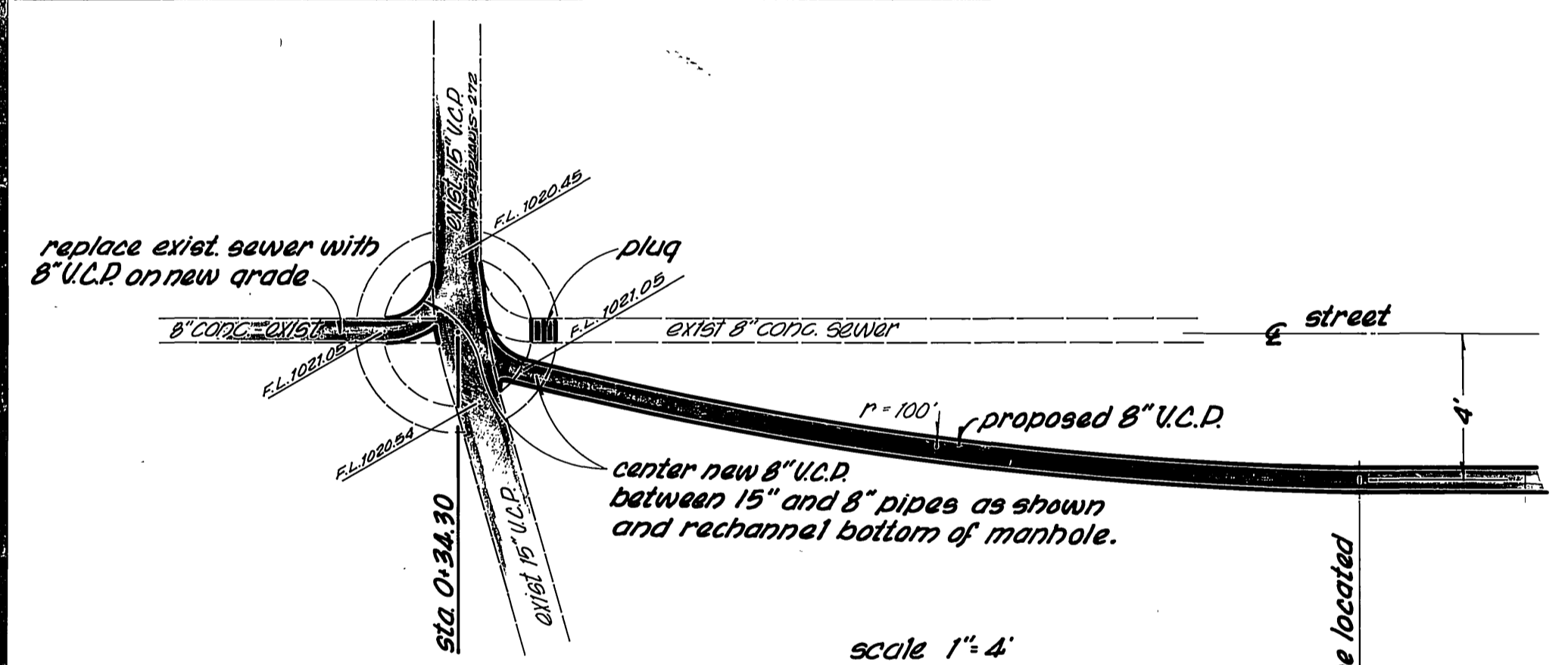
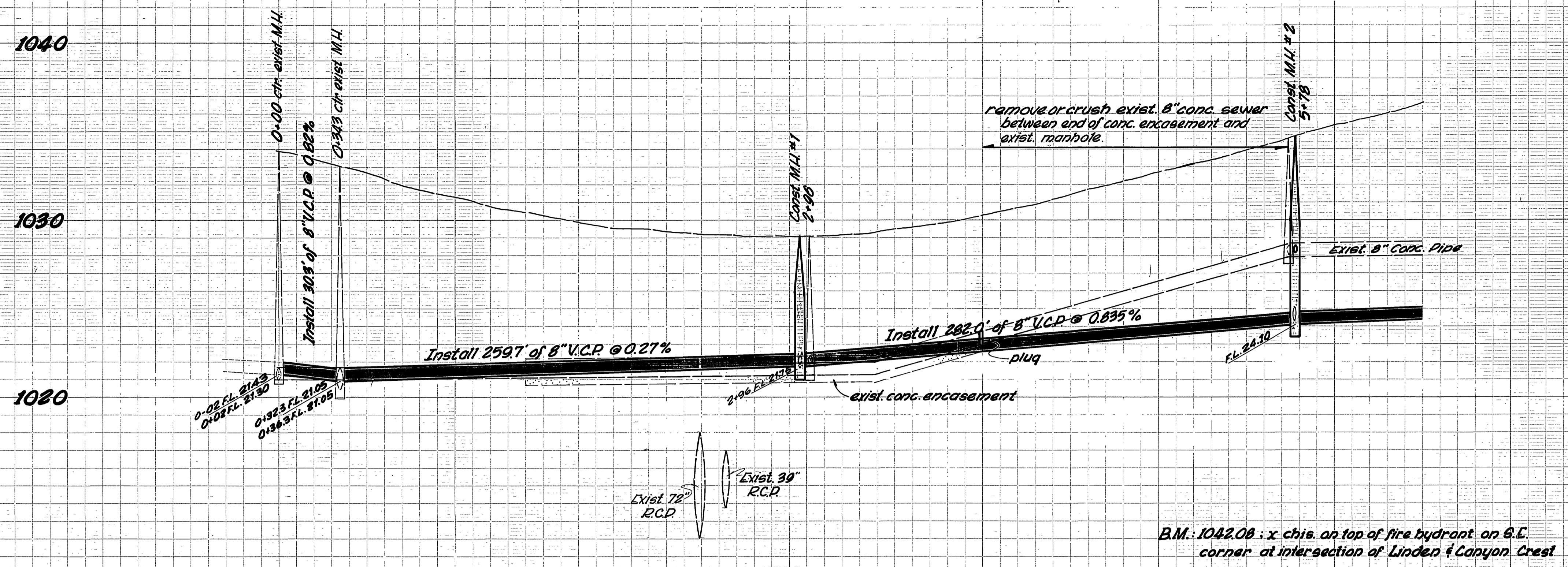


**-CAUTION-**  
**PACIFIC TELEPHONE**  
**CABLES UNDERGROUND**  
**BEFORE EXCAVATING**  
**CALL COLLECT:**  
 7:30 A.M. to 5 P.M. & Holidays  
 After Hours  
 Orange County 714-633-0811 714-547-6606  
 Riverside County 714-684-0071 714-547-6606  
 Inyo County 714-684-0071 714-547-6606  
 San Bernardino County 714-684-0071 714-547-6606  
 Los Angeles County 213-621-3111 24 HOUR SERVICE  
 Ventura County 213-621-3111  
 San Diego County 714-298-0595 714-232-0027  
**FOR FREE CABLE LOCATING SERVICE**

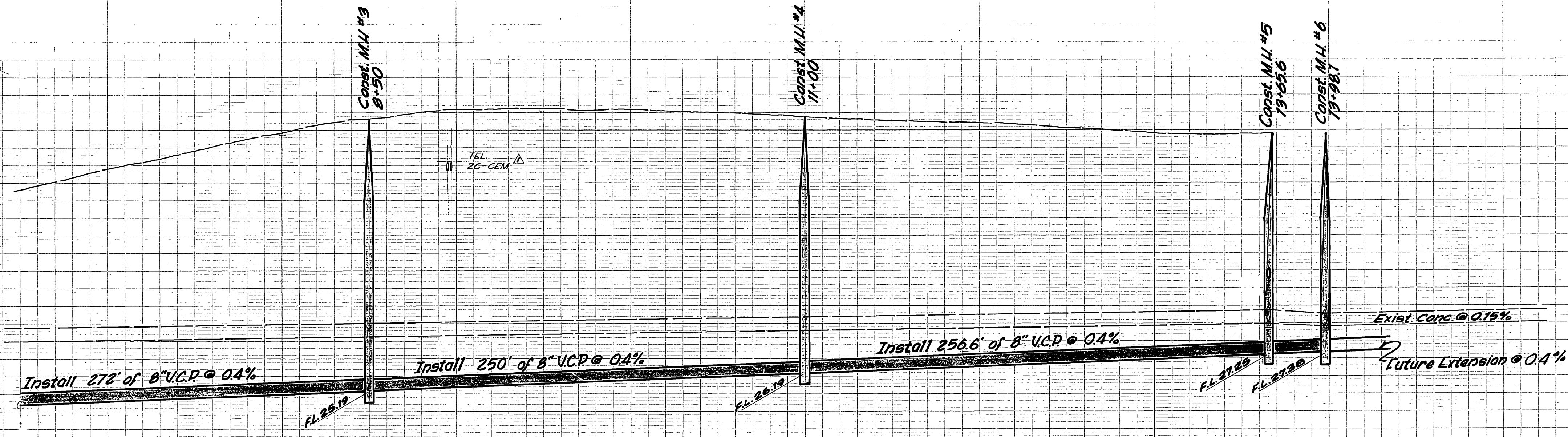


EAST RIVERSIDE LAND COMPANY  
 LOT 64

B.M. 104208: x chis. on top of fire hydrant on S.E. corner at intersection of Linden & Canyon Crest

- notes
1. construct manholes as per std. dwg. no. 500 (mod.)
  2. construct drops at manholes as per std. dwg. no. 502.
  3. place pipe bedding as per case I std. dwg. no. 452.

Added new telephone facilities see sheet 2		CITY OF RIVERSIDE, CALIFORNIA DEPARTMENT OF PUBLIC WORKS		Canyon Crest Sewer Replacement Between University Ave. & Linden		PROJECT NO. <b>5-793</b> SHEET <b>1</b> OF <b>2</b>	
APPROVED BY	DATE	APPROVED BY	DATE	HORIZ. SCALE: 1" = 40'	VERT. SCALE: 1" = 4'	FILE NO.	
DESIGNED BY	DRAWN BY	CHECKED BY	DATE				



1040  
1030  
1020

**-CAUTION-**  
**PACIFIC TELEPHONE**  
**CABLES UNDERGROUND**  
**BEFORE EXCAVATING**

CALL COLLECT:

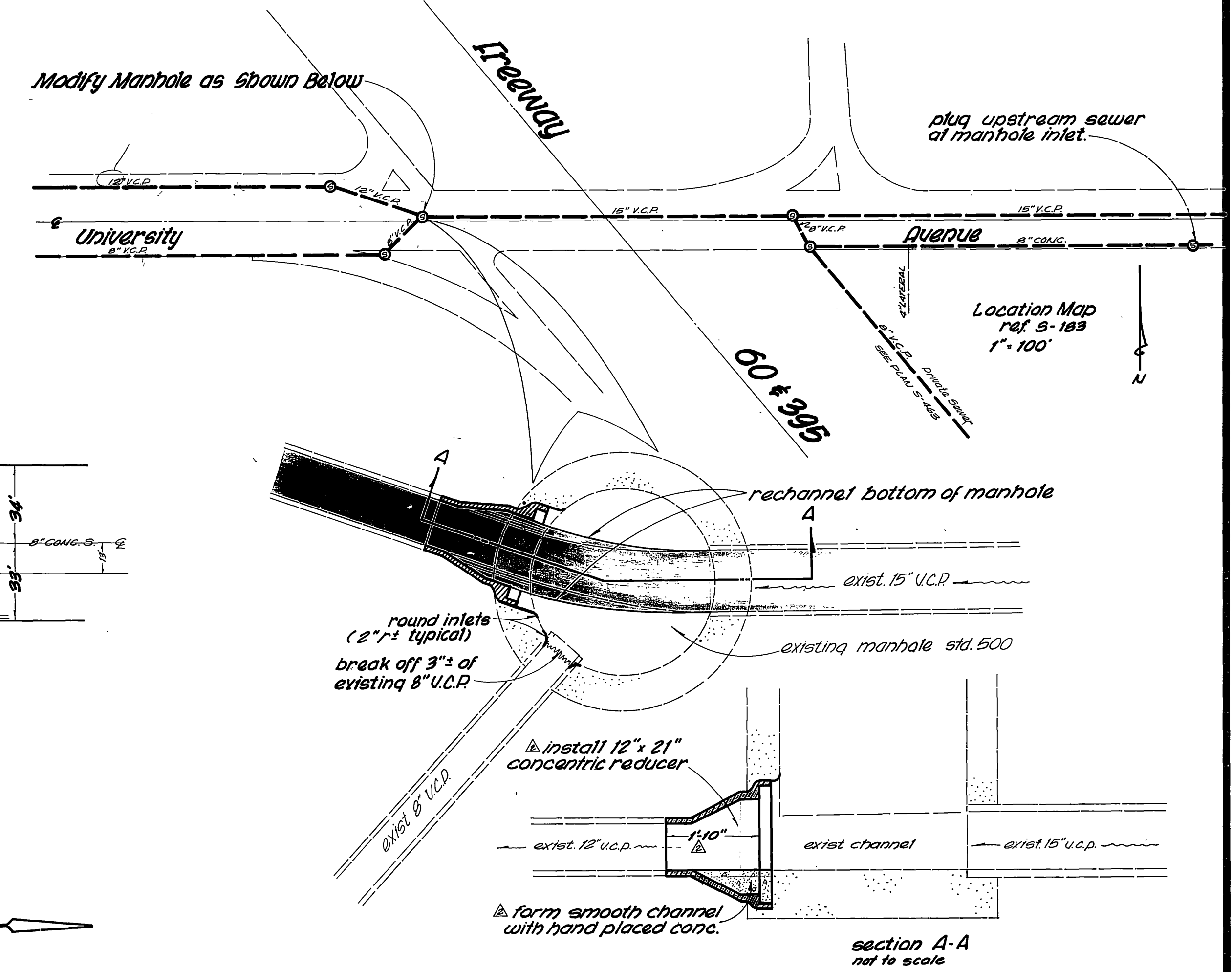
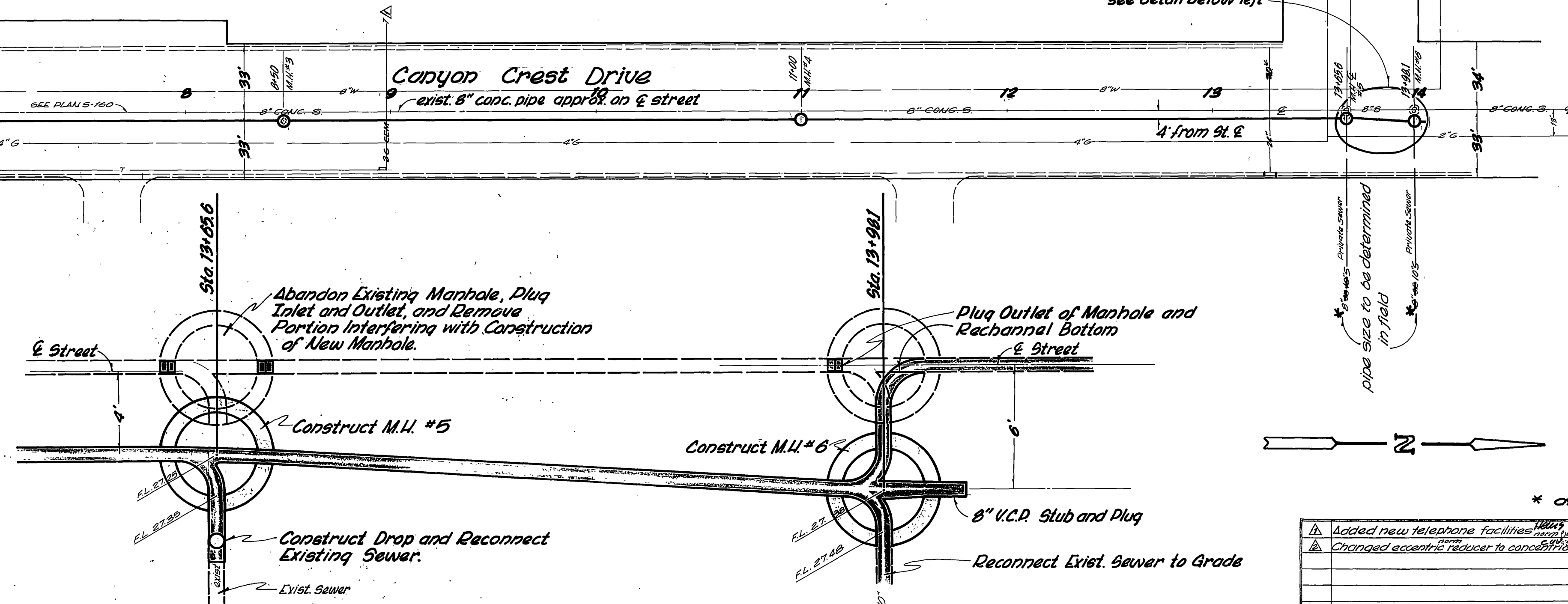
7:30 A.M. to 5 P.M. & Holidays	After Hours
Orange County 714-633-0811	714-547-6606
Riverside County 714-684-0071	714-547-6606
Inyo County 714-684-0071	714-547-6606
San Bernardino County 714-684-0071	714-547-6606
Los Angeles County 213-621-3111	24 HOUR SERVICE
Ventura County 213-621-3111	
San Diego County 714-298-0595	714-232-0027

FOR FREE CABLE LOCATING SERVICE

EAST RIVERSIDE LAND COMPANY  
LOT 49

3595

Station 6+50  
Match Line



- Abandon Existing Manhole, Plug Inlet and Outlet, and Remove Portion Interfering with Construction of New Manhole.
- Construct M.H. #5
- Construct Drop and Reconnect Existing Sewer.
- Construct M.H. #6
- Plug Outlet of Manhole and Rechannel Bottom of Street
- 8" U.C.P. Stub and Plug
- Reconnect Exist. Sewer to Grade

Detail scale: 1" = 4'

* OS built 10/19/70 norm Ref.: F.B. 915/72-75		CITY OF RIVERSIDE, CALIFORNIA DEPARTMENT OF PUBLIC WORKS		PROJECT NO. <b>S-793</b>
DESIGNED BY: <i>WWS</i> DRAWN BY: <i>JLW</i> CHECKED BY:	REVISIONS 1. <i>WWS</i> 7-16-70 2. <i>JLW</i> 7-21-70	APPROVED BY: <i>WWS</i> 5/5 DATE:	APPROVED BY: _____ DIRECTOR OF PUBLIC WORKS DATE:	SHEET <b>2</b> OF <b>2</b>
HORIZ. SCALE: 1" = 40' VERT. SCALE: 1" = 4'		FILE NO.		